



Nouvelles références disponibles

par applications

12/2017

www.ate.de





description

Références OE
par référence
ATE.



Références remplacées /
divers

AUDI

A2 (00-05)	1,4 TDI	ArG	11.2003	07.2005	24.3344-1709.5	240810	ETRIER A GRIFFE	6Q0 615 423 B , 6Q0 615 423 A	24.3344-1709.7
	1,6 FSI	ArG	05.2002	07.2005	24.3344-1709.5	240810	ETRIER A GRIFFE	6Q0 615 423 B , 6Q0 615 423 A	24.3344-1709.7
A3 / A3 (8P) Sportback (03-13)	1,2 TSI		04.2010	08.2013	11.0230-0663.1	260131	CALIPER MOUNT. BRACKET	1K0 615 125 B	
	1,4 TFSI		07.2007	08.2013	11.0230-0663.1	260131	CALIPER MOUNT. BRACKET	1K0 615 125 B	
			07.2007	12.2008	24.9145-0001.2	399005	HYDRAULIC CONTROL UNI	1K0 698 517 B	
	1,6		05.2003	08.2013	11.0230-0663.1	260131	CALIPER MOUNT. BRACKET	1K0 615 125 B	
			05.2003	12.2008	24.9145-0001.2	399005	HYDRAULIC CONTROL UNI	1K0 698 517 B	
	1,6 FSI		08.2003	08.2013	11.0230-0663.1	260131	CALIPER MOUNT. BRACKET	1K0 615 125 B	
			08.2003	12.2008	24.9145-0001.2	399005	HYDRAULIC CONTROL UNI	1K0 698 517 B	
	1,6 TDI		05.2009	08.2013	11.0230-0663.1	260131	CALIPER MOUNT. BRACKET	1K0 615 125 B	
	1,8 TFSI		01.2007	08.2013	11.0230-0663.1	260131	CALIPER MOUNT. BRACKET	1K0 615 125 B	
			01.2007	12.2008	24.9145-0001.2	399005	HYDRAULIC CONTROL UNI	1K0 698 517 B	
	1,8 TFSI quattro		05.2008	08.2013	11.0230-0663.1	260131	CALIPER MOUNT. BRACKET	1K0 615 125 B	
			05.2008	12.2008	24.9145-0001.2	399005	HYDRAULIC CONTROL UNI	1K0 698 517 B	
	1,9 TDI		06.2003	08.2013	11.0230-0663.1	260131	CALIPER MOUNT. BRACKET	1K0 615 125 B	
			06.2003	12.2008	24.9145-0001.2	399005	HYDRAULIC CONTROL UNI	1K0 698 517 B	
	2,0 FSI		05.2003	08.2013	11.0230-0663.1	260131	CALIPER MOUNT. BRACKET	1K0 615 125 B	
			05.2003	12.2008	24.9145-0001.2	399005	HYDRAULIC CONTROL UNI	1K0 698 517 B	
	2,0 TDI		06.2006	06.2008	11.0230-0663.1	260131	CALIPER MOUNT. BRACKET	1K0 615 125 B	
			03.2006	08.2013	11.0230-0663.1	260131	CALIPER MOUNT. BRACKET	1K0 615 125 B	



description

Références OE
par référence
ATE.



Références remplacées /
divers

AUDI

A3 / A3 (8P) Sportback (03-13)	2,0 TDI		05.2003	08.2013	11.0230-0663.1	260131	CALIPER MOUNT. BRACKET	1K0 615 125 B	
			05.2003	12.2008	24.9145-0001.2	399005	HYDRAULIC CONTROL UNI	1K0 698 517 B	
			03.2006	12.2008	24.9145-0001.2	399005	HYDRAULIC CONTROL UNI	1K0 698 517 B	
			06.2006	06.2008	24.9145-0001.2	399005	HYDRAULIC CONTROL UNI	1K0 698 517 B	
	2,0 TDI quattro		03.2006	08.2013	11.0230-0663.1	260131	CALIPER MOUNT. BRACKET	1K0 615 125 B	
			05.2003	08.2013	11.0230-0663.1	260131	CALIPER MOUNT. BRACKET	1K0 615 125 B	
			08.2004	08.2013	11.0230-0663.1	260131	CALIPER MOUNT. BRACKET	1K0 615 125 B	
			08.2004	12.2008	24.9145-0001.2	399005	HYDRAULIC CONTROL UNI	1K0 698 517 B	
			05.2003	12.2008	24.9145-0001.2	399005	HYDRAULIC CONTROL UNI	1K0 698 517 B	
			03.2006	12.2008	24.9145-0001.2	399005	HYDRAULIC CONTROL UNI	1K0 698 517 B	
	2,0 TFSI		06.2004	08.2013	11.0230-0663.1	260131	CALIPER MOUNT. BRACKET	1K0 615 125 B	
			06.2004	12.2008	24.9145-0001.2	399005	HYDRAULIC CONTROL UNI	1K0 698 517 B	
	2,0 TFSI quattro		06.2004	08.2013	11.0230-0663.1	260131	CALIPER MOUNT. BRACKET	1K0 615 125 B	
			06.2004	12.2008	24.9145-0001.2	399005	HYDRAULIC CONTROL UNI	1K0 698 517 B	
	3,2 quattro		07.2003	08.2013	11.0230-0663.1	260131	CALIPER MOUNT. BRACKET	1K0 615 125 B	
			07.2003	12.2008	24.9145-0001.2	399005	HYDRAULIC CONTROL UNI	1K0 698 517 B	
	S3		11.2006	12.2008	24.9145-0001.2	399005	HYDRAULIC CONTROL UNI	1K0 698 517 B	
			07.2008	12.2008	24.9145-0001.2	399005	HYDRAULIC CONTROL UNI	1K0 698 517 B	
A4 (B6/B7) (01-08)	1,6		12.2000	11.2008	11.0230-0807.1	260134	CALIPER MOUNT. BRACKET	4F0 615 125	
	1,8 T		11.2002	11.2008	11.0230-0807.1	260134	CALIPER MOUNT. BRACKET	4F0 615 125	
			07.2001	11.2008	11.0230-0807.1	260134	CALIPER MOUNT. BRACKET	4F0 615 125	



description

Références OE
par référence
ATE.



Références remplacées /
divers

AUDI

A4 (B6/B7) (01-08)	1,8 T		12.2000	11.2008	11.0230-0807.1	260134	CALIPER MOUNT. BRACKET	4F0 615 125	
			07.2002	11.2008	11.0230-0807.1	260134	CALIPER MOUNT. BRACKET	4F0 615 125	
	1,8 T quattro		07.2002	11.2008	11.0230-0807.1	260134	CALIPER MOUNT. BRACKET	4F0 615 125	
			11.2002	11.2008	11.0230-0807.1	260134	CALIPER MOUNT. BRACKET	4F0 615 125	
			12.2000	11.2008	11.0230-0807.1	260134	CALIPER MOUNT. BRACKET	4F0 615 125	
			07.2001	11.2008	11.0230-0807.1	260134	CALIPER MOUNT. BRACKET	4F0 615 125	
	1,9 TDI		04.2001	11.2008	11.0230-0807.1	260134	CALIPER MOUNT. BRACKET	4F0 615 125	
			06.2004	11.2008	11.0230-0807.1	260134	CALIPER MOUNT. BRACKET	4F0 615 125	
			12.2000	11.2008	11.0230-0807.1	260134	CALIPER MOUNT. BRACKET	4F0 615 125	
	1,9 TDI quattro		12.2000	11.2008	11.0230-0807.1	260134	CALIPER MOUNT. BRACKET	4F0 615 125	
	2		12.2000	11.2008	11.0230-0807.1	260134	CALIPER MOUNT. BRACKET	4F0 615 125	
	2,0 FSI		07.2002	11.2008	11.0230-0807.1	260134	CALIPER MOUNT. BRACKET	4F0 615 125	
	2,0 TDI		11.2004	11.2008	11.0230-0807.1	260134	CALIPER MOUNT. BRACKET	4F0 615 125	
			06.2006	11.2008	11.0230-0807.1	260134	CALIPER MOUNT. BRACKET	4F0 615 125	
	2,0 TDI quattro		01.2006	11.2008	11.0230-0807.1	260134	CALIPER MOUNT. BRACKET	4F0 615 125	
			06.2006	11.2008	11.0230-0807.1	260134	CALIPER MOUNT. BRACKET	4F0 615 125	
	2,0 TFSI		06.2005	11.2008	11.0230-0807.1	260134	CALIPER MOUNT. BRACKET	4F0 615 125	
			11.2004	11.2008	11.0230-0807.1	260134	CALIPER MOUNT. BRACKET	4F0 615 125	
	2,0 TFSI quattro		06.2005	11.2008	11.0230-0807.1	260134	CALIPER MOUNT. BRACKET	4F0 615 125	
			11.2004	11.2008	11.0230-0807.1	260134	CALIPER MOUNT. BRACKET	4F0 615 125	
	2,4		09.2001	11.2008	11.0230-0807.1	260134	CALIPER MOUNT. BRACKET	4F0 615 125	



description

Références OE
par référence
ATE.



Références remplacées /
divers

AUDI

A4 (B6/B7) (01-08)	2,5 TDI		12.2000	11.2008	11.0230-0807.1	260134	CALIPER MOUNT. BRACKET	4F0 615 125	
	2,5 TDI quattro		12.2000	11.2008	11.0230-0807.1	260134	CALIPER MOUNT. BRACKET	4F0 615 125	
	2,7 TDI		01.2006	11.2008	11.0230-0807.1	260134	CALIPER MOUNT. BRACKET	4F0 615 125	
			11.2005	11.2008	11.0230-0807.1	260134	CALIPER MOUNT. BRACKET	4F0 615 125	
	3		12.2000	11.2008	11.0230-0807.1	260134	CALIPER MOUNT. BRACKET	4F0 615 125	
	3,0 quattro		12.2000	11.2008	11.0230-0807.1	260134	CALIPER MOUNT. BRACKET	4F0 615 125	
	3,0 TDI quattro		01.2006	11.2008	11.0230-0807.1	260134	CALIPER MOUNT. BRACKET	4F0 615 125	
			11.2004	11.2008	11.0230-0807.1	260134	CALIPER MOUNT. BRACKET	4F0 615 125	
	3,2 FSI		01.2005	11.2008	11.0230-0807.1	260134	CALIPER MOUNT. BRACKET	4F0 615 125	
	3,2 FSI quattro		01.2005	11.2008	11.0230-0807.1	260134	CALIPER MOUNT. BRACKET	4F0 615 125	
	S4		03.2003		11.0230-0663.1	260131	CALIPER MOUNT. BRACKET	1K0 615 125 B	
A4 Décapotable (02-08)	1,8 T		04.2002	11.2008	11.0230-0807.1	260134	CALIPER MOUNT. BRACKET	4F0 615 125	
	1,8 T quattro		05.2003	11.2008	11.0230-0807.1	260134	CALIPER MOUNT. BRACKET	4F0 615 125	
	2		05.2004	11.2008	11.0230-0807.1	260134	CALIPER MOUNT. BRACKET	4F0 615 125	
	2,0 TDI		10.2005	11.2008	11.0230-0807.1	260134	CALIPER MOUNT. BRACKET	4F0 615 125	
	2,0 TFSI		01.2006	11.2008	11.0230-0807.1	260134	CALIPER MOUNT. BRACKET	4F0 615 125	
	2,0 TFSI quattro		11.2005	11.2008	11.0230-0807.1	260134	CALIPER MOUNT. BRACKET	4F0 615 125	
	2,4		04.2002	11.2008	11.0230-0807.1	260134	CALIPER MOUNT. BRACKET	4F0 615 125	
	2,5 TDI		08.2002	11.2008	11.0230-0807.1	260134	CALIPER MOUNT. BRACKET	4F0 615 125	
	2,7 TDI		06.2006	11.2008	11.0230-0807.1	260134	CALIPER MOUNT. BRACKET	4F0 615 125	
	3		04.2002	11.2008	11.0230-0807.1	260134	CALIPER MOUNT. BRACKET	4F0 615 125	



description

Références OE
par référence
ATE.



Références remplacées /
divers

AUDI

A4 Décapotable (02-08)	3,0 quattro		05.2003	11.2008	11.0230-0807.1	260134	CALIPER MOUNT. BRACKET	4F0 615 125	
	3,0 TDI quattro		01.2006	11.2008	11.0230-0807.1	260134	CALIPER MOUNT. BRACKET	4F0 615 125	
			10.2005	11.2008	11.0230-0807.1	260134	CALIPER MOUNT. BRACKET	4F0 615 125	
	3,2 FSI		10.2005	11.2008	11.0230-0807.1	260134	CALIPER MOUNT. BRACKET	4F0 615 125	
	3,2 FSI quattro		10.2005	11.2008	11.0230-0807.1	260134	CALIPER MOUNT. BRACKET	4F0 615 125	
	S4		02.2004	11.2008	11.0230-0663.1	260131	CALIPER MOUNT. BRACKET	1K0 615 125 B	
A6 (4F2/C6) Limousine (04-11)	2,0 TDI		07.2004	03.2011	11.0230-0663.1	260131	CALIPER MOUNT. BRACKET	1K0 615 125 B	
			10.2008	03.2011	11.0230-0807.1	260134	CALIPER MOUNT. BRACKET	4F0 615 125	
			06.2005	03.2011	11.0230-0807.1	260134	CALIPER MOUNT. BRACKET	4F0 615 125	
			10.2008	03.2011	11.0230-0663.1	260131	CALIPER MOUNT. BRACKET	1K0 615 125 B	
			06.2005	03.2011	11.0230-0663.1	260131	CALIPER MOUNT. BRACKET	1K0 615 125 B	
			07.2004	03.2011	11.0230-0807.1	260134	CALIPER MOUNT. BRACKET	4F0 615 125	
	2,0 TFSI		06.2005	03.2011	11.0230-0807.1	260134	CALIPER MOUNT. BRACKET	4F0 615 125	
			06.2005	03.2011	11.0230-0663.1	260131	CALIPER MOUNT. BRACKET	1K0 615 125 B	
	2,4		04.2004	03.2011	11.0230-0807.1	260134	CALIPER MOUNT. BRACKET	4F0 615 125	
			04.2004	03.2011	11.0230-0663.1	260131	CALIPER MOUNT. BRACKET	1K0 615 125 B	
	2,4 quattro		01.2005	03.2011	11.0230-0807.1	260134	CALIPER MOUNT. BRACKET	4F0 615 125	
			01.2005	03.2011	11.0230-0663.1	260131	CALIPER MOUNT. BRACKET	1K0 615 125 B	
	2,7 TDI		11.2004	03.2011	11.0230-0807.1	260134	CALIPER MOUNT. BRACKET	4F0 615 125	
			10.2008	03.2011	11.0230-0807.1	260134	CALIPER MOUNT. BRACKET	4F0 615 125	
			10.2008	03.2011	11.0230-0663.1	260131	CALIPER MOUNT. BRACKET	1K0 615 125 B	



description

Références OE
par référence
ATE.



Références remplacées /
divers

AUDI

A6 (4F2/C6) Limousine (04-11)	2,7 TDI		11.2004	03.2011	11.0230-0663.1	260131	CALIPER MOUNT. BRACKET	1K0 615 125 B	
	2,7 TDI quattro		06.2005	03.2011	11.0230-0807.1	260134	CALIPER MOUNT. BRACKET	4F0 615 125	
			11.2004	03.2011	11.0230-0807.1	260134	CALIPER MOUNT. BRACKET	4F0 615 125	
			10.2008	03.2011	11.0230-0663.1	260131	CALIPER MOUNT. BRACKET	1K0 615 125 B	
			10.2008	03.2011	11.0230-0807.1	260134	CALIPER MOUNT. BRACKET	4F0 615 125	
			11.2004	03.2011	11.0230-0663.1	260131	CALIPER MOUNT. BRACKET	1K0 615 125 B	
			06.2005	03.2011	11.0230-0663.1	260131	CALIPER MOUNT. BRACKET	1K0 615 125 B	
	2,8 FSI		10.2008	03.2011	11.0230-0807.1	260134	CALIPER MOUNT. BRACKET	4F0 615 125	
			11.2006	03.2011	11.0230-0807.1	260134	CALIPER MOUNT. BRACKET	4F0 615 125	
			10.2008	03.2011	11.0230-0663.1	260131	CALIPER MOUNT. BRACKET	1K0 615 125 B	
			11.2006	03.2011	11.0230-0663.1	260131	CALIPER MOUNT. BRACKET	1K0 615 125 B	
	2,8 FSI quattro		10.2008	03.2011	11.0230-0663.1	260131	CALIPER MOUNT. BRACKET	1K0 615 125 B	
			04.2007	03.2011	11.0230-0807.1	260134	CALIPER MOUNT. BRACKET	4F0 615 125	
			04.2007	03.2011	11.0230-0663.1	260131	CALIPER MOUNT. BRACKET	1K0 615 125 B	
			10.2008	03.2011	11.0230-0807.1	260134	CALIPER MOUNT. BRACKET	4F0 615 125	
	3		04.2004	03.2011	11.0230-0807.1	260134	CALIPER MOUNT. BRACKET	4F0 615 125	
			04.2004	03.2011	11.0230-0663.1	260131	CALIPER MOUNT. BRACKET	1K0 615 125 B	
	3,0 quattro		04.2004	03.2011	11.0230-0807.1	260134	CALIPER MOUNT. BRACKET	4F0 615 125	
			04.2004	03.2011	11.0230-0663.1	260131	CALIPER MOUNT. BRACKET	1K0 615 125 B	
	3,0 TDI quattro		10.2008	03.2011	11.0230-0663.1	260131	CALIPER MOUNT. BRACKET	1K0 615 125 B	
			06.2006	03.2011	11.0230-0663.1	260131	CALIPER MOUNT. BRACKET	1K0 615 125 B	



description

Références OE
par référence
ATE.

i
Références remplacées /
divers

AUDI

Audi Model (Year)	Engine	Start	End	ATE Part No.	ATE Ref.	Description	OE Reference
A6 (4F2/C6) Limousine (04-11)	3,0 TDI quattro	04.2004	03.2011	11.0230-0663.1	260131	CALIPER MOUNT. BRACKET	1K0 615 125 B
		04.2004	03.2011	11.0230-0807.1	260134	CALIPER MOUNT. BRACKET	4F0 615 125
		06.2006	03.2011	11.0230-0807.1	260134	CALIPER MOUNT. BRACKET	4F0 615 125
		10.2008	03.2011	11.0230-0807.1	260134	CALIPER MOUNT. BRACKET	4F0 615 125
	3,0 TFSI quattro	10.2008	03.2011	11.0230-0807.1	260134	CALIPER MOUNT. BRACKET	4F0 615 125
		10.2008	03.2011	11.0230-0663.1	260131	CALIPER MOUNT. BRACKET	1K0 615 125 B
	3,2 FSI	04.2004	03.2011	11.0230-0807.1	260134	CALIPER MOUNT. BRACKET	4F0 615 125
		04.2004	03.2011	11.0230-0663.1	260131	CALIPER MOUNT. BRACKET	1K0 615 125 B
	3,2 FSI quattro	04.2004	03.2011	11.0230-0663.1	260131	CALIPER MOUNT. BRACKET	1K0 615 125 B
		04.2004	03.2011	11.0230-0807.1	260134	CALIPER MOUNT. BRACKET	4F0 615 125
4,2 FSI quattro	06.2006	03.2011	11.0230-0663.1	260131	CALIPER MOUNT. BRACKET	1K0 615 125 B	
	06.2006	03.2011	11.0230-0807.1	260134	CALIPER MOUNT. BRACKET	4F0 615 125	
4,2 quattro	04.2004	03.2011	11.0230-0807.1	260134	CALIPER MOUNT. BRACKET	4F0 615 125	
	04.2004	03.2011	11.0230-0663.1	260131	CALIPER MOUNT. BRACKET	1K0 615 125 B	
A6 (4F5/C6) Avant (05-11)	2,0 TDI	03.2005	08.2011	11.0230-0807.1	260134	CALIPER MOUNT. BRACKET	4F0 615 125
		10.2008	08.2011	11.0230-0807.1	260134	CALIPER MOUNT. BRACKET	4F0 615 125
		06.2005	08.2011	11.0230-0807.1	260134	CALIPER MOUNT. BRACKET	4F0 615 125
	2,0 TFSI	03.2005	08.2011	11.0230-0663.1	260131	CALIPER MOUNT. BRACKET	1K0 615 125 B
		06.2005	08.2011	11.0230-0663.1	260131	CALIPER MOUNT. BRACKET	1K0 615 125 B
	2,0 TFSI	10.2008	08.2011	11.0230-0663.1	260131	CALIPER MOUNT. BRACKET	1K0 615 125 B
		06.2005	08.2011	11.0230-0663.1	260131	CALIPER MOUNT. BRACKET	1K0 615 125 B



description

Références OE
par référence
ATE.



Références remplacées /
divers

AUDI

A6 (4F5/C6) Avant (05-11)	2,0 TFSI		06.2005	08.2011	11.0230-0807.1	260134	CALIPER MOUNT. BRACKET	4F0 615 125	
	2,4		03.2005	08.2011	11.0230-0663.1	260131	CALIPER MOUNT. BRACKET	1K0 615 125 B	
			03.2005	08.2011	11.0230-0807.1	260134	CALIPER MOUNT. BRACKET	4F0 615 125	
	2,4 quattro		03.2005	08.2011	11.0230-0807.1	260134	CALIPER MOUNT. BRACKET	4F0 615 125	
			03.2005	08.2011	11.0230-0663.1	260131	CALIPER MOUNT. BRACKET	1K0 615 125 B	
	2,7 TDI		10.2008	08.2011	11.0230-0807.1	260134	CALIPER MOUNT. BRACKET	4F0 615 125	
			03.2005	08.2011	11.0230-0807.1	260134	CALIPER MOUNT. BRACKET	4F0 615 125	
			03.2005	08.2011	11.0230-0663.1	260131	CALIPER MOUNT. BRACKET	1K0 615 125 B	
			10.2008	08.2011	11.0230-0663.1	260131	CALIPER MOUNT. BRACKET	1K0 615 125 B	
	2,7 TDI quattro		10.2008	08.2011	11.0230-0663.1	260131	CALIPER MOUNT. BRACKET	1K0 615 125 B	
			06.2005	08.2011	11.0230-0663.1	260131	CALIPER MOUNT. BRACKET	1K0 615 125 B	
			03.2005	08.2011	11.0230-0663.1	260131	CALIPER MOUNT. BRACKET	1K0 615 125 B	
			03.2005	08.2011	11.0230-0807.1	260134	CALIPER MOUNT. BRACKET	4F0 615 125	
			06.2005	08.2011	11.0230-0807.1	260134	CALIPER MOUNT. BRACKET	4F0 615 125	
			10.2008	08.2011	11.0230-0807.1	260134	CALIPER MOUNT. BRACKET	4F0 615 125	
	2,8 FSI		11.2006	08.2011	11.0230-0807.1	260134	CALIPER MOUNT. BRACKET	4F0 615 125	
			10.2008	08.2011	11.0230-0807.1	260134	CALIPER MOUNT. BRACKET	4F0 615 125	
			11.2006	08.2011	11.0230-0663.1	260131	CALIPER MOUNT. BRACKET	1K0 615 125 B	
			10.2008	08.2011	11.0230-0663.1	260131	CALIPER MOUNT. BRACKET	1K0 615 125 B	
	2,8 FSI quattro		04.2007	08.2011	11.0230-0807.1	260134	CALIPER MOUNT. BRACKET	4F0 615 125	
			10.2008	08.2011	11.0230-0807.1	260134	CALIPER MOUNT. BRACKET	4F0 615 125	



description

Références OE
par référence
ATE.



Références remplacées /
divers

AUDI

A6 (4F5/C6) Avant (05-11)	2,8 FSI quattro		10.2008	08.2011	11.0230-0663.1	260131	CALIPER MOUNT. BRACKET	1K0 615 125 B	
			04.2007	08.2011	11.0230-0663.1	260131	CALIPER MOUNT. BRACKET	1K0 615 125 B	
	3		03.2005	08.2011	11.0230-0807.1	260134	CALIPER MOUNT. BRACKET	4F0 615 125	
			03.2005	08.2011	11.0230-0663.1	260131	CALIPER MOUNT. BRACKET	1K0 615 125 B	
	3,0 quattro		03.2005	08.2011	11.0230-0807.1	260134	CALIPER MOUNT. BRACKET	4F0 615 125	
			03.2005	08.2011	11.0230-0663.1	260131	CALIPER MOUNT. BRACKET	1K0 615 125 B	
	3,0 TDI quattro		03.2005	08.2011	11.0230-0663.1	260131	CALIPER MOUNT. BRACKET	1K0 615 125 B	
			06.2006	08.2011	11.0230-0663.1	260131	CALIPER MOUNT. BRACKET	1K0 615 125 B	
			10.2008	08.2011	11.0230-0663.1	260131	CALIPER MOUNT. BRACKET	1K0 615 125 B	
			03.2005	08.2011	11.0230-0807.1	260134	CALIPER MOUNT. BRACKET	4F0 615 125	
			06.2006	08.2011	11.0230-0807.1	260134	CALIPER MOUNT. BRACKET	4F0 615 125	
			10.2008	08.2011	11.0230-0807.1	260134	CALIPER MOUNT. BRACKET	4F0 615 125	
	3,0 TFSI quattro		10.2008	08.2011	11.0230-0663.1	260131	CALIPER MOUNT. BRACKET	1K0 615 125 B	
			10.2008	08.2011	11.0230-0807.1	260134	CALIPER MOUNT. BRACKET	4F0 615 125	
	3,2 FSI		03.2005	08.2011	11.0230-0663.1	260131	CALIPER MOUNT. BRACKET	1K0 615 125 B	
			03.2005	08.2011	11.0230-0807.1	260134	CALIPER MOUNT. BRACKET	4F0 615 125	
	3,2 FSI quattro		03.2005	08.2011	11.0230-0663.1	260131	CALIPER MOUNT. BRACKET	1K0 615 125 B	
			03.2005	08.2011	11.0230-0807.1	260134	CALIPER MOUNT. BRACKET	4F0 615 125	
	4,2 FSI quattro		06.2006	08.2011	11.0230-0663.1	260131	CALIPER MOUNT. BRACKET	1K0 615 125 B	
			06.2006	08.2011	11.0230-0807.1	260134	CALIPER MOUNT. BRACKET	4F0 615 125	
	4,2 quattro		03.2005	08.2011	11.0230-0663.1	260131	CALIPER MOUNT. BRACKET	1K0 615 125 B	



description

Références OE
par référence
ATE.



Références remplacées /
divers

AUDI

A6 (4F5/C6) Avant (05-11)	4,2 quattro		03.2005	08.2011	11.0230-0807.1	260134	CALIPER MOUNT. BRACKET	4F0 615 125	
A6 Allroad (06-11)	2,7 TDI		05.2006	05.2011	11.0230-0807.1	260134	CALIPER MOUNT. BRACKET	4F0 615 125	
			05.2006	05.2011	11.0230-0663.1	260131	CALIPER MOUNT. BRACKET	1K0 615 125 B	
			10.2008	05.2011	11.0230-0663.1	260131	CALIPER MOUNT. BRACKET	1K0 615 125 B	
			10.2008	05.2011	11.0230-0807.1	260134	CALIPER MOUNT. BRACKET	4F0 615 125	
	3,0 TDI		10.2008	05.2011	11.0230-0663.1	260131	CALIPER MOUNT. BRACKET	1K0 615 125 B	
			05.2006	05.2011	11.0230-0663.1	260131	CALIPER MOUNT. BRACKET	1K0 615 125 B	
			05.2006	05.2011	11.0230-0807.1	260134	CALIPER MOUNT. BRACKET	4F0 615 125	
			10.2008	05.2011	11.0230-0807.1	260134	CALIPER MOUNT. BRACKET	4F0 615 125	
	3,0 TFSI		10.2008	05.2011	11.0230-0663.1	260131	CALIPER MOUNT. BRACKET	1K0 615 125 B	
			10.2008	05.2011	11.0230-0807.1	260134	CALIPER MOUNT. BRACKET	4F0 615 125	
	3,2 FSI		05.2006	05.2011	11.0230-0807.1	260134	CALIPER MOUNT. BRACKET	4F0 615 125	
			05.2006	05.2011	11.0230-0663.1	260131	CALIPER MOUNT. BRACKET	1K0 615 125 B	
	4,2 FSI		05.2006	05.2011	11.0230-0663.1	260131	CALIPER MOUNT. BRACKET	1K0 615 125 B	
			05.2006	05.2011	11.0230-0807.1	260134	CALIPER MOUNT. BRACKET	4F0 615 125	
A8 (03-09)	2,8 FSI		08.2007	10.2009	11.0230-0807.1	260134	CALIPER MOUNT. BRACKET	4F0 615 125	
	3			10.2009	11.0230-0807.1	260134	CALIPER MOUNT. BRACKET	4F0 615 125	
	3,0 quattro			05.2004	11.0230-0807.1	260134	CALIPER MOUNT. BRACKET	4F0 615 125	
	3,0 TDI quattro			10.2009	11.0230-0807.1	260134	CALIPER MOUNT. BRACKET	4F0 615 125	
	3,2 FSI			10.2009	11.0230-0807.1	260134	CALIPER MOUNT. BRACKET	4F0 615 125	
	3,2 FSI quattro			10.2009	11.0230-0807.1	260134	CALIPER MOUNT. BRACKET	4F0 615 125	



				description	Références OE par référence ATE.	 Références remplacées / divers
---	---	--	---	--------------------	---	--

AUDI

A8 (03-09)	3,7 quattro			10.2009	11.0230-0807.1	260134	CALIPER MOUNT. BRACKET	4F0 615 125	
	4,0 TDI quattro			10.2009	11.0230-0807.1	260134	CALIPER MOUNT. BRACKET	4F0 615 125	
	4,2 FSI quattro			10.2009	11.0230-0807.1	260134	CALIPER MOUNT. BRACKET	4F0 615 125	
	4,2 quattro			10.2009	11.0230-0807.1	260134	CALIPER MOUNT. BRACKET	4F0 615 125	
	4,2 TDI quattro			10.2009	11.0230-0807.1	260134	CALIPER MOUNT. BRACKET	4F0 615 125	
	6,0 W12 quattro			10.2009	11.0230-0807.1	260134	CALIPER MOUNT. BRACKET	4F0 615 125	



description

Références OE
par référence
ATE.



Références remplacées /
divers

BMW

1er Reihe/E81/E87 Limousine (04-11)	116 d		01.2011	12.2011	24.9145-0003.2	399007	HYDRAULIC CONTROL UNI	34 51 6 863 354 , 34 51 6 862 870 , 34 51 6 797 896	
			03.2009	05.2011	24.9145-0003.2	399007	HYDRAULIC CONTROL UNI	34 51 6 863 354 , 34 51 6 862 870 , 34 51 6 797 896	
	116 i		09.2008	12.2008	24.9145-0003.2	399007	HYDRAULIC CONTROL UNI	34 51 6 863 354 , 34 51 6 862 870 , 34 51 6 797 896	
			01.2009	05.2011	24.9145-0003.2	399007	HYDRAULIC CONTROL UNI	34 51 6 863 354 , 34 51 6 862 870 , 34 51 6 797 896	
	118 d		09.2008	05.2011	24.9145-0003.2	399007	HYDRAULIC CONTROL UNI	34 51 6 863 354 , 34 51 6 862 870 , 34 51 6 797 896	
	118 i		09.2008	05.2011	24.9145-0003.2	399007	HYDRAULIC CONTROL UNI	34 51 6 863 354 , 34 51 6 862 870 , 34 51 6 797 896	
	120 d		09.2008	05.2011	24.9145-0003.2	399007	HYDRAULIC CONTROL UNI	34 51 6 863 354 , 34 51 6 862 870 , 34 51 6 797 896	
	120 i		09.2008	05.2011	24.9145-0003.2	399007	HYDRAULIC CONTROL UNI	34 51 6 863 354 , 34 51 6 862 870 , 34 51 6 797 896	
	123 d		09.2008	05.2011	24.9145-0003.2	399007	HYDRAULIC CONTROL UNI	34 51 6 863 354 , 34 51 6 862 870 , 34 51 6 797 896	
1er Reihe/E82 Coupe (07-13)	118 d		09.2009	10.2013	24.9145-0003.2	399007	HYDRAULIC CONTROL UNI	34 51 6 863 354 , 34 51 6 862 870 , 34 51 6 797 896	
	120 d		09.2008	10.2013	24.9145-0003.2	399007	HYDRAULIC CONTROL UNI	34 51 6 863 354 , 34 51 6 862 870 , 34 51 6 797 896	
	120 i		09.2009	10.2013	24.9145-0003.2	399007	HYDRAULIC CONTROL UNI	34 51 6 863 354 , 34 51 6 862 870 , 34 51 6 797 896	
	123 d		09.2008	10.2013	24.9145-0003.2	399007	HYDRAULIC CONTROL UNI	34 51 6 863 354 , 34 51 6 862 870 , 34 51 6 797 896	
1er Reihe/E88 Cabrio (08-13)	118 d		09.2008	10.2013	24.9145-0003.2	399007	HYDRAULIC CONTROL UNI	34 51 6 863 354 , 34 51 6 862 870 , 34 51 6 797 896	



description

Références OE
par référence
ATE.



Références remplacées /
divers

BMW

1er Reihe/E88 Cabrio (08-13)	118 i		09.2008	10.2013	24.9145-0003.2	399007	HYDRAULIC CONTROL UNI	34 51 6 863 354 , 34 51 6 862 870 , 34 51 6 797 896	
	120 d		09.2008	10.2013	24.9145-0003.2	399007	HYDRAULIC CONTROL UNI	34 51 6 863 354 , 34 51 6 862 870 , 34 51 6 797 896	
	120 i		09.2008	10.2013	24.9145-0003.2	399007	HYDRAULIC CONTROL UNI	34 51 6 863 354 , 34 51 6 862 870 , 34 51 6 797 896	
	123 d		09.2008	10.2013	24.9145-0003.2	399007	HYDRAULIC CONTROL UNI	34 51 6 863 354 , 34 51 6 862 870 , 34 51 6 797 896	
2er Reihe/F45 Active Tourer (14-)	214 d		03.2015		13.0470-2795.2	LD2795	CERAMIC PLAO. FREIN	34 10 6 863 292 , 34 11 6 860 016	
	216 i		11.2015		13.0470-2795.2	LD2795	CERAMIC PLAO. FREIN	34 10 6 863 292 , 34 11 6 860 016	
3er Reihe/E90 Limousine (05-12)	316 d		07.2009	03.2012	24.9145-0003.2	399007	HYDRAULIC CONTROL UNI	34 51 6 863 354 , 34 51 6 862 870 , 34 51 6 797 896	
	316 i		09.2008	03.2012	24.9145-0003.2	399007	HYDRAULIC CONTROL UNI	34 51 6 863 354 , 34 51 6 862 870 , 34 51 6 797 896	
	318 d		09.2008	03.2012	24.9145-0003.2	399007	HYDRAULIC CONTROL UNI	34 51 6 863 354 , 34 51 6 862 870 , 34 51 6 797 896	
	318 i		09.2008	03.2012	24.9145-0003.2	399007	HYDRAULIC CONTROL UNI	34 51 6 863 354 , 34 51 6 862 870 , 34 51 6 797 896	
	320 d		09.2008	03.2012	24.9145-0003.2	399007	HYDRAULIC CONTROL UNI	34 51 6 863 354 , 34 51 6 862 870 , 34 51 6 797 896	
	320 i		09.2008	03.2012	24.9145-0003.2	399007	HYDRAULIC CONTROL UNI	34 51 6 863 354 , 34 51 6 862 870 , 34 51 6 797 896	
3er Reihe/E91 Touring (05-12)	316 d		09.2009	05.2012	24.9145-0003.2	399007	HYDRAULIC CONTROL UNI	34 51 6 863 354 , 34 51 6 862 870 , 34 51 6 797 896	
	316i		09.2008	05.2012	24.9145-0003.2	399007	HYDRAULIC CONTROL UNI	34 51 6 863 354 , 34 51 6 862 870 , 34 51 6 797 896	



description

Références OE
par référence
ATE.



Références remplacées /
divers

BMW

3er Reihe/E91 Touring (05-12)	318 d		09.2008	05.2012	24.9145-0003.2	399007	HYDRAULIC CONTROL UNI	34 51 6 863 354 , 34 51 6 862 870 , 34 51 6 797 896	
	318 i		09.2008	05.2012	24.9145-0003.2	399007	HYDRAULIC CONTROL UNI	34 51 6 863 354 , 34 51 6 862 870 , 34 51 6 797 896	
	320 d		09.2008	05.2012	24.9145-0003.2	399007	HYDRAULIC CONTROL UNI	34 51 6 863 354 , 34 51 6 862 870 , 34 51 6 797 896	
	320 i		09.2008	05.2012	24.9145-0003.2	399007	HYDRAULIC CONTROL UNI	34 51 6 863 354 , 34 51 6 862 870 , 34 51 6 797 896	
3er Reihe/E92 Coupe (06-13)	316 i		09.2008	06.2013	24.9145-0003.2	399007	HYDRAULIC CONTROL UNI	34 51 6 863 354 , 34 51 6 862 870 , 34 51 6 797 896	
	318 i		03.2010	06.2013	24.9145-0003.2	399007	HYDRAULIC CONTROL UNI	34 51 6 863 354 , 34 51 6 862 870 , 34 51 6 797 896	
	320 d		09.2008	06.2013	24.9145-0003.2	399007	HYDRAULIC CONTROL UNI	34 51 6 863 354 , 34 51 6 862 870 , 34 51 6 797 896	
	320 i		09.2008	06.2013	24.9145-0003.2	399007	HYDRAULIC CONTROL UNI	34 51 6 863 354 , 34 51 6 862 870 , 34 51 6 797 896	
3er Reihe/E93 Cabrio (07-13)	318 i		03.2010	11.2013	24.9145-0003.2	399007	HYDRAULIC CONTROL UNI	34 51 6 863 354 , 34 51 6 862 870 , 34 51 6 797 896	
	320 d		01.2010	11.2013	24.9145-0003.2	399007	HYDRAULIC CONTROL UNI	34 51 6 863 354 , 34 51 6 862 870 , 34 51 6 797 896	
			09.2008	11.2013	24.9145-0003.2	399007	HYDRAULIC CONTROL UNI	34 51 6 863 354 , 34 51 6 862 870 , 34 51 6 797 896	
	320 i		09.2008	11.2013	24.9145-0003.2	399007	HYDRAULIC CONTROL UNI	34 51 6 863 354 , 34 51 6 862 870 , 34 51 6 797 896	
Z3/E36 (95-02)	1,8	ArG	10.1995	10.1998	24.3361-8505.5	240633	ETRIER A GRIFFE	34 21 1 164 397	
	1,9	ArG	10.1995	12.2002	24.3361-8505.5	240633	ETRIER A GRIFFE	34 21 1 164 397	
	2	ArG	04.1999	08.2000	24.3361-8505.5	240633	ETRIER A GRIFFE	34 21 1 164 397	



description

Références OE
par référence
ATE.



Références remplacées /
divers

BMW

Z3/E36 (95-02)	2,2	ArG	10.2000	12.2002	24.3361-8505.5	240633	ETRIER A GRIFFE	34 21 1 164 397	
	2,8 Coupe	ArG	07.1997	06.2000	24.3361-8505.5	240633	ETRIER A GRIFFE	34 21 1 164 397	
	2,8 Roadster	ArG	05.1997	06.2000	24.3361-8505.5	240633	ETRIER A GRIFFE	34 21 1 164 397	
	3,0 Coupe	ArG	06.2000	12.2002	24.3361-8505.5	240633	ETRIER A GRIFFE	34 21 1 164 397	
	3,0 Roadster	ArG	06.2000	12.2002	24.3361-8505.5	240633	ETRIER A GRIFFE	34 21 1 164 397	

Classic NFZ

STEYR DAIMLER PUCH 380-10230 (58-88)	1090		01.1975	12.1979	03.0370-0115.2	050115	NEC. DE REPARATION	34 31 4 050 590	03.0370-0115.2
--------------------------------------	------	--	---------	---------	----------------	--------	--------------------	-----------------	----------------



description

Références OE
par référence
ATE.



Références remplacées /
divers

Classic PKW

Modèle	Volume	AvG	01.1969	08.1973	03.3402-2204.1	829089	description	Références OE par référence ATE.	Références remplacées / divers
BMW 2,5/2,8/3,0/3,3 (68-77)	2500		01.1969	08.1973	03.3402-2204.1	829089	COUELLE A REINURE	411 721 269 B , 90.81052.1118 , 10548.45020.01/16	
	2800		01.1969	08.1973	03.3402-2204.1	829089	COUELLE A REINURE	411 721 269 B , 90.81052.1118 , 10548.45020.01/16	
	3,0 S/LS/CS		01.1971	08.1973	03.3402-2204.1	829089	COUELLE A REINURE	411 721 269 B , 90.81052.1118 , 10548.45020.01/16	
JAGUAR XJ (X300) (94-97)	12 6,0	AvG	11.1994	07.1997	11.9601-9781.2	220991	ETRIER A GRIFFE	JLM 21470 , JLM 11717	
	6 3,2	AvG	11.1994	07.1997	11.9601-9781.2	220991	ETRIER A GRIFFE	JLM 21470 , JLM 11717	
	6 Sovereign 4,0	AvG	11.1994	07.1997	11.9601-9781.2	220991	ETRIER A GRIFFE	JLM 21470 , JLM 11717	
	R Super Charged 4,0	AvG	11.1994	07.1997	11.9601-9781.2	220991	ETRIER A GRIFFE	JLM 21470 , JLM 11717	
NSU 1000/1200 (63-72)	1000		08.1963	12.1967	03.0370-0115.2	050115	NEC. DE REPARATION	34 31 4 050 590	03.0370-0115.2
NSU PRINZ 4 (61-71)	600		08.1961	11.1971	03.0370-0115.2	050115	NEC. DE REPARATION	34 31 4 050 590	03.0370-0115.2
STEYR DAIMLER PUCH 500/600/700 (58-69)	500/500 D		01.1958	12.1969	03.0370-0115.2	050115	NEC. DE REPARATION	34 31 4 050 590	03.0370-0115.2
	650T/650 TR		01.1961	12.1969	03.0370-0115.2	050115	NEC. DE REPARATION	34 31 4 050 590	03.0370-0115.2
	700C/700 E		01.1960	12.1969	03.0370-0115.2	050115	NEC. DE REPARATION	34 31 4 050 590	03.0370-0115.2



description

Références OE
par référence
ATE.



Références remplacées /
divers

DACIA

DUSTER (HS_) (10-)	1,2 TCe 125		09.2013		24.5201-0280.3	331569	FLEXIBLE FREIN	46 21 072 11R	
	1,2 TCe 125 4x4		06.2015		24.5201-0280.3	331569	FLEXIBLE FREIN	46 21 072 11R	
	1,5 dCi		09.2013		24.5201-0280.3	331569	FLEXIBLE FREIN	46 21 072 11R	
	1,5 dCi 4x4		08.2013		24.5201-0280.3	331569	FLEXIBLE FREIN	46 21 072 11R	
LOGAN II Limousine (L52_) (12-)	0,9 TCe 90		11.2012		24.5201-0280.3	331569	FLEXIBLE FREIN	46 21 072 11R	
	0,9 TCe 90 LPG		09.2015		24.5201-0280.3	331569	FLEXIBLE FREIN	46 21 072 11R	
	1,2 16V 75		11.2012		24.5201-0280.3	331569	FLEXIBLE FREIN	46 21 072 11R	
	1,2 16V LPG		11.2012		24.5201-0280.3	331569	FLEXIBLE FREIN	46 21 072 11R	
	1,5 dCi 75		11.2012		24.5201-0280.3	331569	FLEXIBLE FREIN	46 21 072 11R	
	1,5 DCi 85		01.2013		24.5201-0280.3	331569	FLEXIBLE FREIN	46 21 072 11R	
	1,5 dCi 90		11.2012		24.5201-0280.3	331569	FLEXIBLE FREIN	46 21 072 11R	
	1,6 16V		04.2015		24.5201-0280.3	331569	FLEXIBLE FREIN	46 21 072 11R	
			01.2013		24.5201-0280.3	331569	FLEXIBLE FREIN	46 21 072 11R	
LOGAN II MCV Kombi (13-)	0,9 TCe 90		02.2013		24.5201-0280.3	331569	FLEXIBLE FREIN	46 21 072 11R	
	0,9 TCe 90 LPG		09.2015		24.5201-0280.3	331569	FLEXIBLE FREIN	46 21 072 11R	
	1,0 SCe 75		12.2016		24.5201-0280.3	331569	FLEXIBLE FREIN	46 21 072 11R	
	1,2 16V		02.2013		24.5201-0280.3	331569	FLEXIBLE FREIN	46 21 072 11R	
	1,2 16V LPG		02.2013		24.5201-0280.3	331569	FLEXIBLE FREIN	46 21 072 11R	
	1,5 dCi 75		02.2013		24.5201-0280.3	331569	FLEXIBLE FREIN	46 21 072 11R	
	1,5 dCi 85		02.2013		24.5201-0280.3	331569	FLEXIBLE FREIN	46 21 072 11R	
	1,5 dCi 90		02.2013		24.5201-0280.3	331569	FLEXIBLE FREIN	46 21 072 11R	



description

Références OE
par référence
ATE.



Références remplacées /
divers

DACIA

LOGAN II MCV Kombi (13-)	1,6	06.2013	24.5201-0280.3	331569	FLEXIBLE FREIN	46 21 072 11R
SANDERO II (B52_) (12-)	0,9 TCe 90	11.2012	24.5201-0280.3	331569	FLEXIBLE FREIN	46 21 072 11R
	0,9 TCe 90 LPG	09.2015	24.5201-0280.3	331569	FLEXIBLE FREIN	46 21 072 11R
	1,0 SCe 75	12.2016	24.5201-0280.3	331569	FLEXIBLE FREIN	46 21 072 11R
	1,2 16V	11.2012	24.5201-0280.3	331569	FLEXIBLE FREIN	46 21 072 11R
	1,2 16V LPG	11.2012	24.5201-0280.3	331569	FLEXIBLE FREIN	46 21 072 11R
	1,5 dCi 75	11.2012	24.5201-0280.3	331569	FLEXIBLE FREIN	46 21 072 11R
	1,5 dCi 85	01.2013	24.5201-0280.3	331569	FLEXIBLE FREIN	46 21 072 11R
	1,5 dCi 90	11.2012	24.5201-0280.3	331569	FLEXIBLE FREIN	46 21 072 11R
	1,6	11.2012	24.5201-0280.3	331569	FLEXIBLE FREIN	46 21 072 11R
	1,6 16V	04.2015	24.5201-0280.3	331569	FLEXIBLE FREIN	46 21 072 11R



description

Références OE
par référence
ATE.



Références remplacées /
divers

FIAT

500 (07-)	1,2 i		01.2010		24.3728-0536.2	590536	CABLE D'EMBAYAGE	1735312 , AS51-7K553-AA , 55226950	
	1,2 LPG		12.2010		24.3728-0536.2	590536	CABLE D'EMBAYAGE	1735312 , AS51-7K553-AA , 55226950	
500C (09-)	1,2		01.2010		24.3728-0536.2	590536	CABLE D'EMBAYAGE	1735312 , AS51-7K553-AA , 55226950	
500X (14-)	1,4 4x4		09.2014		24.0128-0292.1	428292	DISQUE DE FREIN	51963548 , 51937304	
	1,6		09.2014		24.0128-0292.1	428292	DISQUE DE FREIN	51963548 , 51937304	
			11.2014		24.0128-0292.1	428292	DISQUE DE FREIN	51963548 , 51937304	
	2,0 D MultiJet 4x4		09.2014		24.0128-0292.1	428292	DISQUE DE FREIN	51963548 , 51937304	
PANDA (12-)	1,2		02.2012		24.3728-0536.2	590536	CABLE D'EMBAYAGE	1735312 , AS51-7K553-AA , 55226950	
	1,2 LPG		02.2012		24.3728-0536.2	590536	CABLE D'EMBAYAGE	1735312 , AS51-7K553-AA , 55226950	



description

Références OE
par référence
ATE.



Références remplacées /
divers

FORD

C-MAX I (07-10)	1,6 i 16V		03.2007	10.2010	24.9145-0004.2	399008	HYDRAULIC CONTROL UNI	BRYV-43-7A0 , 8M51-2B373-AA , 1692659	
	1,6 TDCi		03.2007	10.2010	24.9145-0004.2	399008	HYDRAULIC CONTROL UNI	BRYV-43-7A0 , 8M51-2B373-AA , 1692659	
	1,8 i 16V		03.2007	10.2010	24.9145-0004.2	399008	HYDRAULIC CONTROL UNI	BRYV-43-7A0 , 8M51-2B373-AA , 1692659	
	1,8 TDCi		03.2007	10.2010	24.9145-0004.2	399008	HYDRAULIC CONTROL UNI	BRYV-43-7A0 , 8M51-2B373-AA , 1692659	
	2,0 i 16V		03.2007	10.2010	24.9145-0004.2	399008	HYDRAULIC CONTROL UNI	BRYV-43-7A0 , 8M51-2B373-AA , 1692659	
	2,0 TDCi		03.2007	10.2010	24.9145-0004.2	399008	HYDRAULIC CONTROL UNI	BRYV-43-7A0 , 8M51-2B373-AA , 1692659	
			02.2008	10.2010	24.9145-0004.2	399008	HYDRAULIC CONTROL UNI	BRYV-43-7A0 , 8M51-2B373-AA , 1692659	
FOCUS C-MAX (03-07)	1,6 i 16V		08.2003	03.2007	24.9145-0004.2	399008	HYDRAULIC CONTROL UNI	BRYV-43-7A0 , 8M51-2B373-AA , 1692659	
	1,6 TDCi		08.2003	03.2007	24.9145-0004.2	399008	HYDRAULIC CONTROL UNI	BRYV-43-7A0 , 8M51-2B373-AA , 1692659	
			01.2005	03.2007	24.9145-0004.2	399008	HYDRAULIC CONTROL UNI	BRYV-43-7A0 , 8M51-2B373-AA , 1692659	
	1,6 Ti VCT		08.2004	03.2007	24.9145-0004.2	399008	HYDRAULIC CONTROL UNI	BRYV-43-7A0 , 8M51-2B373-AA , 1692659	
	1,8 i 16V		08.2003	03.2007	24.9145-0004.2	399008	HYDRAULIC CONTROL UNI	BRYV-43-7A0 , 8M51-2B373-AA , 1692659	
			04.2004	03.2007	24.9145-0004.2	399008	HYDRAULIC CONTROL UNI	BRYV-43-7A0 , 8M51-2B373-AA , 1692659	
	1,8 TDCi		01.2005	03.2007	24.9145-0004.2	399008	HYDRAULIC CONTROL UNI	BRYV-43-7A0 , 8M51-2B373-AA , 1692659	



description

Références OE
par référence
ATE.



Références remplacées /
divers

FORD

Modèle	Motorisation	04.2004	03.2007	24.9145-0004.2	399008	description	Références OE par référence ATE.	Références remplacées / divers
FOCUS C-MAX (03-07)	2,0 i 16V					HYDRAULIC CONTROL UNI	BRYV-43-7A0 , 8M51-2B373-AA , 1692659	
	2,0 TDCi	08.2003	03.2007	24.9145-0004.2	399008	HYDRAULIC CONTROL UNI	BRYV-43-7A0 , 8M51-2B373-AA , 1692659	
FOCUS II (05-11)	1,4 i 16V	10.2004	02.2011	24.9145-0004.2	399008	HYDRAULIC CONTROL UNI	BRYV-43-7A0 , 8M51-2B373-AA , 1692659	
	1,6 i 16V	10.2004	02.2011	24.9145-0004.2	399008	HYDRAULIC CONTROL UNI	BRYV-43-7A0 , 8M51-2B373-AA , 1692659	
	1,6 TDCi	01.2005	02.2011	24.9145-0004.2	399008	HYDRAULIC CONTROL UNI	BRYV-43-7A0 , 8M51-2B373-AA , 1692659	
		10.2004	02.2011	24.9145-0004.2	399008	HYDRAULIC CONTROL UNI	BRYV-43-7A0 , 8M51-2B373-AA , 1692659	
	1,6 Ti VCT	10.2004	02.2011	24.9145-0004.2	399008	HYDRAULIC CONTROL UNI	BRYV-43-7A0 , 8M51-2B373-AA , 1692659	
	1,8 i 16V	01.2006	02.2011	24.9145-0004.2	399008	HYDRAULIC CONTROL UNI	BRYV-43-7A0 , 8M51-2B373-AA , 1692659	
	1,8 TDCi	01.2005	02.2011	24.9145-0004.2	399008	HYDRAULIC CONTROL UNI	BRYV-43-7A0 , 8M51-2B373-AA , 1692659	
	2,0 i 16V	10.2004	02.2011	24.9145-0004.2	399008	HYDRAULIC CONTROL UNI	BRYV-43-7A0 , 8M51-2B373-AA , 1692659	
	2,0 TDCi	10.2004	02.2011	24.9145-0004.2	399008	HYDRAULIC CONTROL UNI	BRYV-43-7A0 , 8M51-2B373-AA , 1692659	
		02.2008	02.2011	24.9145-0004.2	399008	HYDRAULIC CONTROL UNI	BRYV-43-7A0 , 8M51-2B373-AA , 1692659	
	2,5 ST	10.2005	02.2011	24.9145-0004.2	399008	HYDRAULIC CONTROL UNI	BRYV-43-7A0 , 8M51-2B373-AA , 1692659	
GALAXY III (15-)	1,5 EcoBoost	04.2015		13.0460-7313.2	607313	PLAQUETTES DE FREIN	DG9C-2K021-EC , 1860105	cf. Photo
	2,0 EcoBoost	04.2015		13.0460-7313.2	607313	PLAQUETTES DE FREIN	DG9C-2K021-EC , 1860105	cf. Photo



description

Références OE
par référence
ATE.



Références remplacées /
divers

FORD

GALAXY III (15-)	2,0 TDCi		04.2015		13.0460-7313.2	607313	PLAQUETTES DE FREIN	DG9C-2K021-EC , 1860105	cf. Photo
	2,0 TDCi 4x4		05.2015		13.0460-7313.2	607313	PLAQUETTES DE FREIN	DG9C-2K021-EC , 1860105	cf. Photo
	2,0 TDCi Bi-Turbo		04.2015		13.0460-7313.2	607313	PLAQUETTES DE FREIN	DG9C-2K021-EC , 1860105	cf. Photo
KA II (08-)	1,2 i 16V		01.2010		24.3728-0536.2	590536	CABLE D'EMBAYAGE	1735312 , AS51-7K553-AA , 55226950	
KUGA I (08-12)	2,0 TDCi		04.2008	12.2012	24.9145-0004.2	399008	HYDRAULIC CONTROL UNI	BRYV-43-7A0 , 8M51-2B373-AA , 1692659	
			03.2010	12.2012	24.9145-0004.2	399008	HYDRAULIC CONTROL UNI	BRYV-43-7A0 , 8M51-2B373-AA , 1692659	
	2,0 TDCi 4x4		04.2008	12.2012	24.9145-0004.2	399008	HYDRAULIC CONTROL UNI	BRYV-43-7A0 , 8M51-2B373-AA , 1692659	
			03.2010	12.2012	24.9145-0004.2	399008	HYDRAULIC CONTROL UNI	BRYV-43-7A0 , 8M51-2B373-AA , 1692659	
	2,5 i		03.2009	12.2012	24.9145-0004.2	399008	HYDRAULIC CONTROL UNI	BRYV-43-7A0 , 8M51-2B373-AA , 1692659	
	2,5 i 4x4		11.2008	12.2012	24.9145-0004.2	399008	HYDRAULIC CONTROL UNI	BRYV-43-7A0 , 8M51-2B373-AA , 1692659	
MONDEO V (14-)	1,5 EcoBoost		10.2014	01.2015	13.0460-7313.2	607313	PLAQUETTES DE FREIN	DG9C-2K021-EC , 1860105	cf. Photo
	1,6 TDCi		10.2014	01.2015	13.0460-7313.2	607313	PLAQUETTES DE FREIN	DG9C-2K021-EC , 1860105	cf. Photo
	2,0 EcoBoost		10.2014	01.2015	13.0460-7313.2	607313	PLAQUETTES DE FREIN	DG9C-2K021-EC , 1860105	cf. Photo
	2,0 Hybrid		10.2014	01.2015	13.0460-7313.2	607313	PLAQUETTES DE FREIN	DG9C-2K021-EC , 1860105	cf. Photo
	2,0 TDCi		10.2014	01.2015	13.0460-7313.2	607313	PLAQUETTES DE FREIN	DG9C-2K021-EC , 1860105	cf. Photo
S-MAX II (15-)	1,5 EcoBoost		02.2015		13.0460-7313.2	607313	PLAQUETTES DE FREIN	DG9C-2K021-EC , 1860105	cf. Photo
	2,0 EcoBoost		02.2015		13.0460-7313.2	607313	PLAQUETTES DE FREIN	DG9C-2K021-EC , 1860105	cf. Photo
	2,0 TDCi		02.2015		13.0460-7313.2	607313	PLAQUETTES DE FREIN	DG9C-2K021-EC , 1860105	cf. Photo



description

Références OE
par référence
ATE.



Références remplacées /
divers

FORD

S-MAX II (15-)	2,0 TDCi 4x4		02.2015		13.0460-7313.2	607313	PLAQUETTES DE FREIN	DG9C-2K021-EC , 1860105	cf. Photo
	2,0 TDCi Bi-Turbo		02.2015		13.0460-7313.2	607313	PLAQUETTES DE FREIN	DG9C-2K021-EC , 1860105	cf. Photo

HONDA

ACCORD VIII Kombi (08-15)	2,0 VTEC (CW1)		07.2008	06.2015	13.0460-7291.2	607291	PLAQUETTES DE FREIN	45022-TL1-G01 , 45022-TL1-G00	cf. Photo
	2,2 i-DTEC (CW3)		07.2008	06.2015	13.0460-7291.2	607291	PLAQUETTES DE FREIN	45022-TL1-G01 , 45022-TL1-G00	cf. Photo
	2,4 VTEC (CW2)		07.2008	06.2015	13.0460-7291.2	607291	PLAQUETTES DE FREIN	45022-TL1-G01 , 45022-TL1-G00	cf. Photo
ACCORD VIII Limousine (08-15)	2,0 VTEC (CU1)		07.2008	06.2015	13.0460-7291.2	607291	PLAQUETTES DE FREIN	45022-TL1-G01 , 45022-TL1-G00	cf. Photo
	2,2 i-DTEC (CU3)		07.2008	06.2015	13.0460-7291.2	607291	PLAQUETTES DE FREIN	45022-TL1-G01 , 45022-TL1-G00	cf. Photo
	2,4 VTEC (CU2)		07.2008	06.2015	13.0460-7291.2	607291	PLAQUETTES DE FREIN	45022-TL1-G01 , 45022-TL1-G00	cf. Photo

JAGUAR

XJ (NAW,NBW) (97-03)	XJ8 3,2	AvG	07.1997	05.2003	11.9601-9781.2	220991	ETRIER A GRIFFE	JLM 21470 , JLM 11717	
	XJ8 4,0	AvG	07.1997	05.2003	11.9601-9781.2	220991	ETRIER A GRIFFE	JLM 21470 , JLM 11717	
		AvG	10.1997	05.2003	11.9601-9781.2	220991	ETRIER A GRIFFE	JLM 21470 , JLM 11717	



description

Références OE
par référence
ATE.



Références remplacées /
divers

JEEP

RENEGADE (BU) (14-)	1,4		07.2014		24.0128-0292.1	428292	DISQUE DE FREIN	51963548 , 51937304	
	1,4 4x4		07.2014		24.0128-0292.1	428292	DISQUE DE FREIN	51963548 , 51937304	
	1,6		07.2014		24.0128-0292.1	428292	DISQUE DE FREIN	51963548 , 51937304	
	2,0 CRD 4x4		07.2014		24.0128-0292.1	428292	DISQUE DE FREIN	51963548 , 51937304	

LANCIA

YPSILON / Chrysler Ypsilon (11-)	1,2		05.2011		24.3728-0536.2	590536	CABLE D'EMBAYAGE	1735312 , AS51-7K553-AA , 55226950	
	1,2 Bifuel		04.2015		24.3728-0536.2	590536	CABLE D'EMBAYAGE	1735312 , AS51-7K553-AA , 55226950	
			05.2011		24.3728-0536.2	590536	CABLE D'EMBAYAGE	1735312 , AS51-7K553-AA , 55226950	



description

Références OE
par référence
ATE.

i
Références remplacées /
divers

MERCEDES BENZ

Classe E (S211) Break (03-09)	E 240 4-matic	AvG	07.2003	10.2009	24.3601-9770.5	240696	ETRIER A GRIFFE	A 002 420 63 83 , 002 420 63 83	
		AvD	07.2003	10.2009	24.3601-9769.5	240695	ETRIER A GRIFFE	A 002 420 64 83 , 002 420 64 83	
	E 280 4-matic	AvG	05.2005	10.2009	24.3601-9770.5	240696	ETRIER A GRIFFE	A 002 420 63 83 , 002 420 63 83	
		AvD	05.2005	10.2009	24.3601-9769.5	240695	ETRIER A GRIFFE	A 002 420 64 83 , 002 420 64 83	
	E 280 CDI 4-matic	AvG	05.2005	10.2009	24.3601-9770.5	240696	ETRIER A GRIFFE	A 002 420 63 83 , 002 420 63 83	
		AvD	05.2005	10.2009	24.3601-9769.5	240695	ETRIER A GRIFFE	A 002 420 64 83 , 002 420 64 83	
	E 320 4-matic	AvG	07.2003	10.2009	24.3601-9770.5	240696	ETRIER A GRIFFE	A 002 420 63 83 , 002 420 63 83	
		AvD	07.2003	10.2009	24.3601-9769.5	240695	ETRIER A GRIFFE	A 002 420 64 83 , 002 420 64 83	
	E 320 CDI 4-matic	AvG	05.2005	10.2009	24.3601-9770.5	240696	ETRIER A GRIFFE	A 002 420 63 83 , 002 420 63 83	
		AvD	05.2005	10.2009	24.3601-9769.5	240695	ETRIER A GRIFFE	A 002 420 64 83 , 002 420 64 83	
	E 350 4-matic	AvG	12.2004	10.2009	24.3601-9770.5	240696	ETRIER A GRIFFE	A 002 420 63 83 , 002 420 63 83	
		AvD	12.2004	10.2009	24.3601-9769.5	240695	ETRIER A GRIFFE	A 002 420 64 83 , 002 420 64 83	
Classe E (W211) Berline (02-09)	E 240 4-matic	AvG	03.2003	02.2009	24.3601-9770.5	240696	ETRIER A GRIFFE	A 002 420 63 83 , 002 420 63 83	
		AvD	03.2003	02.2009	24.3601-9769.5	240695	ETRIER A GRIFFE	A 002 420 64 83 , 002 420 64 83	



description

Références OE
par référence
ATE.



Références remplacées /
divers

MERCEDES BENZ

Classe E (W211) Berline (02-09)	E 280 4-matic	AvG	05.2005	02.2009	24.3601-9770.5	240696	ETRIER A GRIFFE	A 002 420 63 83 , 002 420 63 83	
		AvD	05.2005	02.2009	24.3601-9769.5	240695	ETRIER A GRIFFE	A 002 420 64 83 , 002 420 64 83	
	E 280 CDI 4-matic	AvG	03.2005	02.2009	24.3601-9770.5	240696	ETRIER A GRIFFE	A 002 420 63 83 , 002 420 63 83	
		AvD	03.2005	02.2009	24.3601-9769.5	240695	ETRIER A GRIFFE	A 002 420 64 83 , 002 420 64 83	
	E 320 4-matic	AvG	03.2003	02.2009	24.3601-9770.5	240696	ETRIER A GRIFFE	A 002 420 63 83 , 002 420 63 83	
		AvD	03.2003	02.2009	24.3601-9769.5	240695	ETRIER A GRIFFE	A 002 420 64 83 , 002 420 64 83	
	E 320 CDI 4-matic	AvG	03.2005	02.2009	24.3601-9770.5	240696	ETRIER A GRIFFE	A 002 420 63 83 , 002 420 63 83	
		AvD	03.2005	02.2009	24.3601-9769.5	240695	ETRIER A GRIFFE	A 002 420 64 83 , 002 420 64 83	
	E 350 4-matic	AvG	12.2004	02.2009	24.3601-9770.5	240696	ETRIER A GRIFFE	A 002 420 63 83 , 002 420 63 83	
		AvD	12.2004	02.2009	24.3601-9769.5	240695	ETRIER A GRIFFE	A 002 420 64 83 , 002 420 64 83	
Classe S (W220) (98-06)	S 350 4-matic	AvG	06.2003	03.2006	24.3601-9770.5	240696	ETRIER A GRIFFE	A 002 420 63 83 , 002 420 63 83	
		AvD	06.2003	03.2006	24.3601-9769.5	240695	ETRIER A GRIFFE	A 002 420 64 83 , 002 420 64 83	
Transporter (BM 901/902) SPRINTER (95-06)	208 CDI	AvG	04.2000	05.2006	24.3601-8514.5	240688	ETRIER A GRIFFE	2D0 615 124 , A 901 420 47 01 , A 901 420 42 01 , A 901 420 40 01 , A 002 420 61 83 , 901 420 47 01 , 002 420 61 83 , 901 420 42 01 , 901 420 40 01	11.3601-8514.2



description

Références OE
par référence
ATE.

i
Références remplacées /
divers

MERCEDES BENZ

Transporter (BM 901/902) SPRINTER (95-06)	208 D	AvG	02.1995	05.2006	24.3601-8514.5	240688	ETRIER A GRIFFE	2D0 615 124 , A 901 420 47 01 , A 901 420 42 01 , A 901 420 40 01 , A 002 420 61 83 , 901 420 47 01 , 002 420 61 83 , 901 420 42 01 , 901 420 40 01	11.3601-8514.2
	210 D	AvG	01.1997	05.2006	24.3601-8514.5	240688	ETRIER A GRIFFE	2D0 615 124 , A 901 420 47 01 , A 901 420 42 01 , A 901 420 40 01 , A 002 420 61 83 , 901 420 47 01 , 002 420 61 83 , 901 420 42 01 , 901 420 40 01	11.3601-8514.2
	211 CDI	AvG	04.2000	05.2006	24.3601-8514.5	240688	ETRIER A GRIFFE	2D0 615 124 , A 901 420 47 01 , A 901 420 42 01 , A 901 420 40 01 , A 002 420 61 83 , 901 420 47 01 , 002 420 61 83 , 901 420 42 01 , 901 420 40 01	11.3601-8514.2
	212 D	AvG	02.1995	05.2006	24.3601-8514.5	240688	ETRIER A GRIFFE	2D0 615 124 , A 901 420 47 01 , A 901 420 42 01 , A 901 420 40 01 , A 002 420 61 83 , 901 420 47 01 , 002 420 61 83 , 901 420 42 01 , 901 420 40 01	11.3601-8514.2
	213 CDI	AvG	04.2000	05.2006	24.3601-8514.5	240688	ETRIER A GRIFFE	2D0 615 124 , A 901 420 47 01 , A 901 420 42 01 , A 901 420 40 01 , A 002 420 61 83 , 901 420 47 01 , 002 420 61 83 , 901 420 42 01 , 901 420 40 01	11.3601-8514.2
	214	AvG	02.1995	05.2006	24.3601-8514.5	240688	ETRIER A GRIFFE	2D0 615 124 , A 901 420 47 01 , A 901 420 42 01 , A 901 420 40 01 , A 002 420 61 83 , 901 420 47 01 , 002 420 61 83 , 901 420 42 01 , 901 420 40 01	11.3601-8514.2



description

Références OE
par référence
ATE.

i
Références remplacées /
divers

MERCEDES BENZ

Transporter (BM 901/902) SPRINTER (95-06)	214	AvG	04.2000	05.2006	24.3601-8514.5	240688	ETRIER A GRIFFE	2D0 615 124 , A 901 420 47 01 , A 901 420 42 01 , A 901 420 40 01 , A 002 420 61 83 , 901 420 47 01 , 002 420 61 83 , 901 420 42 01 , 901 420 40 01	11.3601-8514.2
	216 CDI	AvG	04.2000	05.2006	24.3601-8514.5	240688	ETRIER A GRIFFE	2D0 615 124 , A 901 420 47 01 , A 901 420 42 01 , A 901 420 40 01 , A 002 420 61 83 , 901 420 47 01 , 002 420 61 83 , 901 420 42 01 , 901 420 40 01	11.3601-8514.2
Transporter (BM 903/904) SPRINTER (95-06)	308 CDI	AvG	04.2000	05.2006	24.3601-8514.5	240688	ETRIER A GRIFFE	2D0 615 124 , A 901 420 47 01 , A 901 420 42 01 , A 901 420 40 01 , A 002 420 61 83 , 901 420 47 01 , 002 420 61 83 , 901 420 42 01 , 901 420 40 01	11.3601-8514.2
	308 D	AvG	02.1995	05.2006	24.3601-8514.5	240688	ETRIER A GRIFFE	2D0 615 124 , A 901 420 47 01 , A 901 420 42 01 , A 901 420 40 01 , A 002 420 61 83 , 901 420 47 01 , 002 420 61 83 , 901 420 42 01 , 901 420 40 01	11.3601-8514.2
	310 D	AvG	02.1995	05.2006	24.3601-8514.5	240688	ETRIER A GRIFFE	2D0 615 124 , A 901 420 47 01 , A 901 420 42 01 , A 901 420 40 01 , A 002 420 61 83 , 901 420 47 01 , 002 420 61 83 , 901 420 42 01 , 901 420 40 01	11.3601-8514.2
	311 CDI	AvG	04.2000	05.2006	24.3601-8514.5	240688	ETRIER A GRIFFE	2D0 615 124 , A 901 420 47 01 , A 901 420 42 01 , A 901 420 40 01 , A 002 420 61 83 , 901 420 47 01 , 002 420 61 83 , 901 420 42 01 , 901 420 40 01	11.3601-8514.2



description

Références OE
par référence
ATE.

i
Références remplacées /
divers

MERCEDES BENZ

Transporter (BM 903/904) SPRINTER (95-06)	312 D	AvG	02.1995	05.2006	24.3601-8514.5	240688	ETRIER A GRIFFE	2D0 615 124 , A 901 420 47 01 , A 901 420 42 01 , A 901 420 40 01 , A 002 420 61 83 , 901 420 47 01 , 002 420 61 83 , 901 420 42 01 , 901 420 40 01	11.3601-8514.2
	313 CDI	AvG	04.2000	05.2006	24.3601-8514.5	240688	ETRIER A GRIFFE	2D0 615 124 , A 901 420 47 01 , A 901 420 42 01 , A 901 420 40 01 , A 002 420 61 83 , 901 420 47 01 , 002 420 61 83 , 901 420 42 01 , 901 420 40 01	11.3601-8514.2
	314	AvG	02.1995	05.2006	24.3601-8514.5	240688	ETRIER A GRIFFE	2D0 615 124 , A 901 420 47 01 , A 901 420 42 01 , A 901 420 40 01 , A 002 420 61 83 , 901 420 47 01 , 002 420 61 83 , 901 420 42 01 , 901 420 40 01	11.3601-8514.2
		AvG	04.2000	05.2006	24.3601-8514.5	240688	ETRIER A GRIFFE	2D0 615 124 , A 901 420 47 01 , A 901 420 42 01 , A 901 420 40 01 , A 002 420 61 83 , 901 420 47 01 , 002 420 61 83 , 901 420 42 01 , 901 420 40 01	11.3601-8514.2
	316 CDI	AvG	04.2000	05.2006	24.3601-8514.5	240688	ETRIER A GRIFFE	2D0 615 124 , A 901 420 47 01 , A 901 420 42 01 , A 901 420 40 01 , A 002 420 61 83 , 901 420 47 01 , 002 420 61 83 , 901 420 42 01 , 901 420 40 01	11.3601-8514.2
	408 CDI	AvG	04.2000	05.2006	24.3601-8514.5	240688	ETRIER A GRIFFE	2D0 615 124 , A 901 420 47 01 , A 901 420 42 01 , A 901 420 40 01 , A 002 420 61 83 , 901 420 47 01 , 002 420 61 83 , 901 420 42 01 , 901 420 40 01	11.3601-8514.2



description

Références OE
par référence
ATE.

i
Références remplacées /
divers

MERCEDES BENZ

Transporter (BM 903/904) SPRINTER (95-06)	408 D	AvG	06.1995	05.2006	24.3601-8514.5	240688	ETRIER A GRIFFE	2D0 615 124 , A 901 420 47 01 , A 901 420 42 01 , A 901 420 40 01 , A 002 420 61 83 , 901 420 47 01 , 002 420 61 83 , 901 420 42 01 , 901 420 40 01	11.3601-8514.2
	410 D	AvG	09.1996	05.2006	24.3601-8514.5	240688	ETRIER A GRIFFE	2D0 615 124 , A 901 420 47 01 , A 901 420 42 01 , A 901 420 40 01 , A 002 420 61 83 , 901 420 47 01 , 002 420 61 83 , 901 420 42 01 , 901 420 40 01	11.3601-8514.2
	411 CDI	AvG	04.2000	05.2006	24.3601-8514.5	240688	ETRIER A GRIFFE	2D0 615 124 , A 901 420 47 01 , A 901 420 42 01 , A 901 420 40 01 , A 002 420 61 83 , 901 420 47 01 , 002 420 61 83 , 901 420 42 01 , 901 420 40 01	11.3601-8514.2
	412 D	AvG	06.1995	05.2006	24.3601-8514.5	240688	ETRIER A GRIFFE	2D0 615 124 , A 901 420 47 01 , A 901 420 42 01 , A 901 420 40 01 , A 002 420 61 83 , 901 420 47 01 , 002 420 61 83 , 901 420 42 01 , 901 420 40 01	11.3601-8514.2
	413 CDI	AvG	04.2000	05.2006	24.3601-8514.5	240688	ETRIER A GRIFFE	2D0 615 124 , A 901 420 47 01 , A 901 420 42 01 , A 901 420 40 01 , A 002 420 61 83 , 901 420 47 01 , 002 420 61 83 , 901 420 42 01 , 901 420 40 01	11.3601-8514.2
	414	AvG	04.2000	05.2006	24.3601-8514.5	240688	ETRIER A GRIFFE	2D0 615 124 , A 901 420 47 01 , A 901 420 42 01 , A 901 420 40 01 , A 002 420 61 83 , 901 420 47 01 , 002 420 61 83 , 901 420 42 01 , 901 420 40 01	11.3601-8514.2



description

Références OE
par référence
ATE.

Références remplacées /
divers

MERCEDES BENZ

Modèle	Code	AvG	06.1995	05.2006	24.3601-8514.5	240688	description	Références OE par référence ATE.	Références remplacées / divers
Transporter (BM 903/904) SPRINTER (95-06)	414	AvG	06.1995	05.2006	24.3601-8514.5	240688	ETRIER A GRIFFE	2D0 615 124 , A 901 420 47 01 , A 901 420 42 01 , A 901 420 40 01 , A 002 420 61 83 , 901 420 47 01 , 002 420 61 83 , 901 420 42 01 , 901 420 40 01	11.3601-8514.2
	416 CDI	AvG	04.2000	05.2006	24.3601-8514.5	240688	ETRIER A GRIFFE	2D0 615 124 , A 901 420 47 01 , A 901 420 42 01 , A 901 420 40 01 , A 002 420 61 83 , 901 420 47 01 , 002 420 61 83 , 901 420 42 01 , 901 420 40 01	11.3601-8514.2
VITO (BM638) (96-03)	108 CDI	AvG	03.1999	08.2003	24.3601-8514.5	240688	ETRIER A GRIFFE	2D0 615 124 , A 901 420 47 01 , A 901 420 42 01 , A 901 420 40 01 , A 002 420 61 83 , 901 420 47 01 , 002 420 61 83 , 901 420 42 01 , 901 420 40 01	11.3601-8514.2
	108 D	AvG	03.1996	08.2003	24.3601-8514.5	240688	ETRIER A GRIFFE	2D0 615 124 , A 901 420 47 01 , A 901 420 42 01 , A 901 420 40 01 , A 002 420 61 83 , 901 420 47 01 , 002 420 61 83 , 901 420 42 01 , 901 420 40 01	11.3601-8514.2
	110 CDI	AvG	03.1999	08.2003	24.3601-8514.5	240688	ETRIER A GRIFFE	2D0 615 124 , A 901 420 47 01 , A 901 420 42 01 , A 901 420 40 01 , A 002 420 61 83 , 901 420 47 01 , 002 420 61 83 , 901 420 42 01 , 901 420 40 01	11.3601-8514.2
	110 D	AvG	03.1996	08.2003	24.3601-8514.5	240688	ETRIER A GRIFFE	2D0 615 124 , A 901 420 47 01 , A 901 420 42 01 , A 901 420 40 01 , A 002 420 61 83 , 901 420 47 01 , 002 420 61 83 , 901 420 42 01 , 901 420 40 01	11.3601-8514.2



description

Références OE
par référence
ATE.

i
Références remplacées /
divers

MERCEDES BENZ

VITO (BM638) (96-03)	112 CDI	AvG	03.1999	08.2003	24.3601-8514.5	240688	ETRIER A GRIFFE	2D0 615 124 , A 901 420 47 01 , A 901 420 42 01 , A 901 420 40 01 , A 002 420 61 83 , 901 420 47 01 , 002 420 61 83 , 901 420 42 01 , 901 420 40 01	11.3601-8514.2
	113	AvG	03.1996	08.2003	24.3601-8514.5	240688	ETRIER A GRIFFE	2D0 615 124 , A 901 420 47 01 , A 901 420 42 01 , A 901 420 40 01 , A 002 420 61 83 , 901 420 47 01 , 002 420 61 83 , 901 420 42 01 , 901 420 40 01	11.3601-8514.2
	114	AvG	12.1996	08.2003	24.3601-8514.5	240688	ETRIER A GRIFFE	2D0 615 124 , A 901 420 47 01 , A 901 420 42 01 , A 901 420 40 01 , A 002 420 61 83 , 901 420 47 01 , 002 420 61 83 , 901 420 42 01 , 901 420 40 01	11.3601-8514.2
Classe V (BM638) (96-03)	V 200	AvG	09.1996	08.2003	24.3601-8514.5	240688	ETRIER A GRIFFE	2D0 615 124 , A 901 420 47 01 , A 901 420 42 01 , A 901 420 40 01 , A 002 420 61 83 , 901 420 47 01 , 002 420 61 83 , 901 420 42 01 , 901 420 40 01	11.3601-8514.2
	V 200 CDI	AvG	03.1999	08.2003	24.3601-8514.5	240688	ETRIER A GRIFFE	2D0 615 124 , A 901 420 47 01 , A 901 420 42 01 , A 901 420 40 01 , A 002 420 61 83 , 901 420 47 01 , 002 420 61 83 , 901 420 42 01 , 901 420 40 01	11.3601-8514.2
	V 220 CDI	AvG	03.1999	08.2003	24.3601-8514.5	240688	ETRIER A GRIFFE	2D0 615 124 , A 901 420 47 01 , A 901 420 42 01 , A 901 420 40 01 , A 002 420 61 83 , 901 420 47 01 , 002 420 61 83 , 901 420 42 01 , 901 420 40 01	11.3601-8514.2



description

Références OE
par référence
ATE.



Références remplacées /
divers

MERCEDES BENZ

Classe V (BM638) (96-03)	V 230	AvG	09.1996	08.2003	24.3601-8514.5	240688	ETRIER A GRIFFE	2D0 615 124 , A 901 420 47 01 , A 901 420 42 01 , A 901 420 40 01 , A 002 420 61 83 , 901 420 47 01 , 002 420 61 83 , 901 420 42 01 , 901 420 40 01	11.3601-8514.2
	V 230 TD	AvG	09.1996	08.2003	24.3601-8514.5	240688	ETRIER A GRIFFE	2D0 615 124 , A 901 420 47 01 , A 901 420 42 01 , A 901 420 40 01 , A 002 420 61 83 , 901 420 47 01 , 002 420 61 83 , 901 420 42 01 , 901 420 40 01	11.3601-8514.2
	V 280	AvG	09.1997	08.2003	24.3601-8514.5	240688	ETRIER A GRIFFE	2D0 615 124 , A 901 420 47 01 , A 901 420 42 01 , A 901 420 40 01 , A 002 420 61 83 , 901 420 47 01 , 002 420 61 83 , 901 420 42 01 , 901 420 40 01	11.3601-8514.2



description

Références OE
par référence
ATE.



Références remplacées /
divers

MINI

F54 Clubman (15-)	One		11.2015		13.0470-2795.2	LD2795	CERAMIC PLAO. FREIN	34 10 6 863 292 , 34 11 6 860 016	
	One D		11.2015		13.0470-2795.2	LD2795	CERAMIC PLAO. FREIN	34 10 6 863 292 , 34 11 6 860 016	
F55 (14-)	Cooper		10.2014		13.0470-2795.2	LD2795	CERAMIC PLAO. FREIN	34 10 6 863 292 , 34 11 6 860 016	
	Cooper D		10.2014		13.0470-2795.2	LD2795	CERAMIC PLAO. FREIN	34 10 6 863 292 , 34 11 6 860 016	
	One		10.2014		13.0470-2795.2	LD2795	CERAMIC PLAO. FREIN	34 10 6 863 292 , 34 11 6 860 016	
	One D		10.2014		13.0470-2795.2	LD2795	CERAMIC PLAO. FREIN	34 10 6 863 292 , 34 11 6 860 016	
	One First		03.2015		13.0470-2795.2	LD2795	CERAMIC PLAO. FREIN	34 10 6 863 292 , 34 11 6 860 016	
F56 (13-)	Cooper		11.2013		13.0470-2795.2	LD2795	CERAMIC PLAO. FREIN	34 10 6 863 292 , 34 11 6 860 016	
	Cooper D		11.2013		13.0470-2795.2	LD2795	CERAMIC PLAO. FREIN	34 10 6 863 292 , 34 11 6 860 016	
	One		06.2014		13.0470-2795.2	LD2795	CERAMIC PLAO. FREIN	34 10 6 863 292 , 34 11 6 860 016	
			11.2013		13.0470-2795.2	LD2795	CERAMIC PLAO. FREIN	34 10 6 863 292 , 34 11 6 860 016	
	One D		11.2013		13.0470-2795.2	LD2795	CERAMIC PLAO. FREIN	34 10 6 863 292 , 34 11 6 860 016	
F57 Cabrio (15-)	Cooper		11.2015		13.0470-2795.2	LD2795	CERAMIC PLAO. FREIN	34 10 6 863 292 , 34 11 6 860 016	
	Cooper D		11.2015		13.0470-2795.2	LD2795	CERAMIC PLAO. FREIN	34 10 6 863 292 , 34 11 6 860 016	



		 		<p>description</p>	<p>Références OE par référence ATE.</p>	 <p>Références remplacées / divers</p>
---	---	--	---	--------------------	---	---

MINI

F57 Cabrio (15-)	One		03.2016		13.0470-2795.2	LD2795	CERAMIC PLAO. FREIN	34 10 6 863 292 , 34 11 6 860 016	
------------------	-----	--	---------	--	----------------	--------	---------------------	-----------------------------------	--



description

Références OE
par référence
ATE.

i
Références remplacées /
divers

PEUGEOT

308 II (T9) (13-)	1,2 THP 110		11.2013		13.0460-3869.2	603869	PLAQUETTES DE FREIN	16 106 992 80	cf. Photo
	1,2 THP 130		11.2013		13.0460-3869.2	603869	PLAQUETTES DE FREIN	16 106 992 80	cf. Photo
	1,2 VTi 82		09.2013		13.0460-3869.2	603869	PLAQUETTES DE FREIN	16 106 992 80	cf. Photo
	1,6 GT 205		06.2014		13.0460-3869.2	603869	PLAQUETTES DE FREIN	16 106 992 80	cf. Photo
	1,6 GTi 250		08.2015		13.0460-3869.2	603869	PLAQUETTES DE FREIN	16 106 992 80	cf. Photo
	1,6 GTi 270		06.2015		13.0460-3869.2	603869	PLAQUETTES DE FREIN	16 106 992 80	cf. Photo
	1,6 HDi 100		04.2014		13.0460-3869.2	603869	PLAQUETTES DE FREIN	16 106 992 80	cf. Photo
	1,6 HDi 115		09.2013		13.0460-3869.2	603869	PLAQUETTES DE FREIN	16 106 992 80	cf. Photo
	1,6 HDi 120		11.2013		13.0460-3869.2	603869	PLAQUETTES DE FREIN	16 106 992 80	cf. Photo
	1,6 HDi 92		09.2013		13.0460-3869.2	603869	PLAQUETTES DE FREIN	16 106 992 80	cf. Photo
	1,6 THP 125		09.2013		13.0460-3869.2	603869	PLAQUETTES DE FREIN	16 106 992 80	cf. Photo
	1,6 THP 150		03.2014		13.0460-3869.2	603869	PLAQUETTES DE FREIN	16 106 992 80	cf. Photo
	1,6 THP 155		09.2013		13.0460-3869.2	603869	PLAQUETTES DE FREIN	16 106 992 80	cf. Photo
	1,6 THP 163		06.2014		13.0460-3869.2	603869	PLAQUETTES DE FREIN	16 106 992 80	cf. Photo
	1,6 VTi		03.2014		13.0460-3869.2	603869	PLAQUETTES DE FREIN	16 106 992 80	cf. Photo
	2,0 GT HDi 180		06.2014		13.0460-3869.2	603869	PLAQUETTES DE FREIN	16 106 992 80	cf. Photo
	2,0 HDi 150		11.2013		13.0460-3869.2	603869	PLAQUETTES DE FREIN	16 106 992 80	cf. Photo
308 II SW (T9) (14-)	1,2 e-THP		03.2014		13.0460-3869.2	603869	PLAQUETTES DE FREIN	16 106 992 80	cf. Photo
			08.2014		13.0460-3869.2	603869	PLAQUETTES DE FREIN	16 106 992 80	cf. Photo
	1,6 BlueHDi		03.2014		13.0460-3869.2	603869	PLAQUETTES DE FREIN	16 106 992 80	cf. Photo
	1,6 e-HDi		03.2014		13.0460-3869.2	603869	PLAQUETTES DE FREIN	16 106 992 80	cf. Photo



description

Références OE
par référence
ATE.



Références remplacées /
divers

PEUGEOT

Modèle	Version	Date	Code	Description	Références OE	Références ATE	Description	Références OE par référence ATE	Références remplacées / divers
308 II SW (T9) (14-)	1,6 GT 205	06.2014	13.0460-3869.2	603869	PLAQUETTES DE FREIN	16 106 992 80			cf. Photo
	1,6 HDi	03.2014	13.0460-3869.2	603869	PLAQUETTES DE FREIN	16 106 992 80			cf. Photo
	1,6 THP	03.2014	13.0460-3869.2	603869	PLAQUETTES DE FREIN	16 106 992 80			cf. Photo
	1,6 THP 125	03.2014	13.0460-3869.2	603869	PLAQUETTES DE FREIN	16 106 992 80			cf. Photo
	1,6 THP 150	03.2014	13.0460-3869.2	603869	PLAQUETTES DE FREIN	16 106 992 80			cf. Photo
	1,6 THP 163	06.2014	13.0460-3869.2	603869	PLAQUETTES DE FREIN	16 106 992 80			cf. Photo
	1,6 VTi	03.2014	13.0460-3869.2	603869	PLAQUETTES DE FREIN	16 106 992 80			cf. Photo
	2,0 BlueHDi	03.2014	13.0460-3869.2	603869	PLAQUETTES DE FREIN	16 106 992 80			cf. Photo
	2,0 BlueHDi 180	06.2014	13.0460-3869.2	603869	PLAQUETTES DE FREIN	16 106 992 80			cf. Photo
	2,0 GT HDi 180	06.2014	13.0460-3869.2	603869	PLAQUETTES DE FREIN	16 106 992 80			cf. Photo



description

Références OE
par référence
ATE.

i
Références remplacées /
divers

RENAULT

LOGAN II (L52) (13-)	1,2		11.2013		24.5201-0280.3	331569	FLEXIBLE FREIN	46 21 072 11R	
	1,5 dCi		12.2013		24.5201-0280.3	331569	FLEXIBLE FREIN	46 21 072 11R	
	1,6		04.2014		24.5201-0280.3	331569	FLEXIBLE FREIN	46 21 072 11R	
LOGAN II Kombi (L52) (13-)	1,2 16V		12.2013		24.5201-0280.3	331569	FLEXIBLE FREIN	46 21 072 11R	
	1,2 16V LPG		12.2013		24.5201-0280.3	331569	FLEXIBLE FREIN	46 21 072 11R	
	1,5 dCi		12.2013		24.5201-0280.3	331569	FLEXIBLE FREIN	46 21 072 11R	
	1,6		12.2013		24.5201-0280.3	331569	FLEXIBLE FREIN	46 21 072 11R	
SANDERO II (13-)	1,2 16V		12.2013		24.5201-0280.3	331569	FLEXIBLE FREIN	46 21 072 11R	
	1,2 16V LPG		12.2013		24.5201-0280.3	331569	FLEXIBLE FREIN	46 21 072 11R	
	1,5 dCi		12.2013		24.5201-0280.3	331569	FLEXIBLE FREIN	46 21 072 11R	
	1,6		04.2014		24.5201-0280.3	331569	FLEXIBLE FREIN	46 21 072 11R	
			11.2013		24.5201-0280.3	331569	FLEXIBLE FREIN	46 21 072 11R	
THALIA III / SYMBOL (L8_) (13-)	0,9 TCe		11.2012		24.5201-0280.3	331569	FLEXIBLE FREIN	46 21 072 11R	
	1,2 16V		12.2013		24.5201-0280.3	331569	FLEXIBLE FREIN	46 21 072 11R	
	1,5 dCi		12.2013		24.5201-0280.3	331569	FLEXIBLE FREIN	46 21 072 11R	



description

Références OE
par référence
ATE.



Références remplacées /
divers

SEAT

ALTEA (5P1) (04-15)	1,2 TSI		04.2010		24.9145-0001.2	399005	HYDRAULIC CONTROL UNI	1K0 698 517 B	
	1,4 i 16V		05.2006		24.9145-0001.2	399005	HYDRAULIC CONTROL UNI	1K0 698 517 B	
	1,4 TSI		11.2007		24.9145-0001.2	399005	HYDRAULIC CONTROL UNI	1K0 698 517 B	
	1,6 i 16V		03.2004		24.9145-0001.2	399005	HYDRAULIC CONTROL UNI	1K0 698 517 B	
	1,6 LPG		09.2009		24.9145-0001.2	399005	HYDRAULIC CONTROL UNI	1K0 698 517 B	
	1,6 TDI		10.2009		24.9145-0001.2	399005	HYDRAULIC CONTROL UNI	1K0 698 517 B	
	1,8 TFSI		01.2007		24.9145-0001.2	399005	HYDRAULIC CONTROL UNI	1K0 698 517 B	
	1,9 TDI		03.2004		24.9145-0001.2	399005	HYDRAULIC CONTROL UNI	1K0 698 517 B	
	2,0 FSI		03.2004		24.9145-0001.2	399005	HYDRAULIC CONTROL UNI	1K0 698 517 B	
	2,0 TDI		03.2006		24.9145-0001.2	399005	HYDRAULIC CONTROL UNI	1K0 698 517 B	
			03.2004		24.9145-0001.2	399005	HYDRAULIC CONTROL UNI	1K0 698 517 B	
	2,0 TFSI		03.2006		24.9145-0001.2	399005	HYDRAULIC CONTROL UNI	1K0 698 517 B	
CORDOBA III (6L2) (02-09)	1,2 i	ArG	10.2002	06.2009	24.3344-1709.5	240810	ETRIER A GRIFFE	6Q0 615 423 B , 6Q0 615 423 A	24.3344-1709.7
	1,4 i 16V	ArG	10.2002	06.2009	24.3344-1709.5	240810	ETRIER A GRIFFE	6Q0 615 423 B , 6Q0 615 423 A	24.3344-1709.7
	1,4 TDI	ArG	10.2002	06.2009	24.3344-1709.5	240810	ETRIER A GRIFFE	6Q0 615 423 B , 6Q0 615 423 A	24.3344-1709.7
	1,6 i 16V	ArG	02.2003	06.2009	24.3344-1709.5	240810	ETRIER A GRIFFE	6Q0 615 423 B , 6Q0 615 423 A	24.3344-1709.7
	1,9 SDI	ArG	10.2002	06.2009	24.3344-1709.5	240810	ETRIER A GRIFFE	6Q0 615 423 B , 6Q0 615 423 A	24.3344-1709.7
	1,9 TDI	ArG	10.2002	06.2009	24.3344-1709.5	240810	ETRIER A GRIFFE	6Q0 615 423 B , 6Q0 615 423 A	24.3344-1709.7



description

Références OE
par référence
ATE.



Références remplacées /
divers

SEAT

Model	Engine	ArG	10.2002	06.2009	24.3344-1709.5	240810	description	Références OE par référence ATE.	Références remplacées / divers
CORDOBA III (6L2) (02-09)	2,0 i 16V	ArG	10.2002	06.2009	24.3344-1709.5	240810	ETRIER A GRIFFE	6Q0 615 423 B , 6Q0 615 423 A	24.3344-1709.7
EXEO / ST (09-13)	1,6		04.2009	06.2013	11.0230-0807.1	260134	CALIPER MOUNT. BRACKET	4F0 615 125	
	1,8 T		04.2009	06.2013	11.0230-0807.1	260134	CALIPER MOUNT. BRACKET	4F0 615 125	
	1,8 TSI		09.2010	06.2013	11.0230-0807.1	260134	CALIPER MOUNT. BRACKET	4F0 615 125	
			05.2010	06.2013	11.0230-0807.1	260134	CALIPER MOUNT. BRACKET	4F0 615 125	
	2,0 TDI		04.2009	06.2013	11.0230-0807.1	260134	CALIPER MOUNT. BRACKET	4F0 615 125	
	2,0 TFSI		04.2009	06.2013	11.0230-0807.1	260134	CALIPER MOUNT. BRACKET	4F0 615 125	
IBIZA IV (6L1) (02-10)	1,2	ArG	06.2007	05.2008	24.3344-1709.5	240810	ETRIER A GRIFFE	6Q0 615 423 B , 6Q0 615 423 A	24.3344-1709.7
	1,2 i	ArG	02.2002	02.2010	24.3344-1709.5	240810	ETRIER A GRIFFE	6Q0 615 423 B , 6Q0 615 423 A	24.3344-1709.7
	1,2 i 12V	ArG	05.2006	02.2010	24.3344-1709.5	240810	ETRIER A GRIFFE	6Q0 615 423 B , 6Q0 615 423 A	24.3344-1709.7
	1,4 i 16V	ArG	05.2006	02.2010	24.3344-1709.5	240810	ETRIER A GRIFFE	6Q0 615 423 B , 6Q0 615 423 A	24.3344-1709.7
		ArG	02.2002	02.2010	24.3344-1709.5	240810	ETRIER A GRIFFE	6Q0 615 423 B , 6Q0 615 423 A	24.3344-1709.7
	1,4 TDI	ArG	05.2005	02.2010	24.3344-1709.5	240810	ETRIER A GRIFFE	6Q0 615 423 B , 6Q0 615 423 A	24.3344-1709.7
		ArG	02.2002	02.2010	24.3344-1709.5	240810	ETRIER A GRIFFE	6Q0 615 423 B , 6Q0 615 423 A	24.3344-1709.7
	1,6 i 16V	ArG	02.2003	02.2010	24.3344-1709.5	240810	ETRIER A GRIFFE	6Q0 615 423 B , 6Q0 615 423 A	24.3344-1709.7
	1,8 T Cupra R	ArG	01.2004	02.2010	24.3344-1709.5	240810	ETRIER A GRIFFE	6Q0 615 423 B , 6Q0 615 423 A	24.3344-1709.7



description

Références OE
par référence
ATE.



Références remplacées /
divers

SEAT

IBIZA IV (6L1) (02-10)	1,8 T FR	ArG	12.2003	02.2010	24.3344-1709.5	240810	ETRIER A GRIFFE	6Q0 615 423 B , 6Q0 615 423 A	24.3344-1709.7
	1,9 SDI	ArG	02.2002	02.2010	24.3344-1709.5	240810	ETRIER A GRIFFE	6Q0 615 423 B , 6Q0 615 423 A	24.3344-1709.7
	1,9 TDI	ArG	02.2002	02.2010	24.3344-1709.5	240810	ETRIER A GRIFFE	6Q0 615 423 B , 6Q0 615 423 A	24.3344-1709.7
	1,9 TDI Cupra R	ArG	03.2004	02.2008	24.3344-1709.5	240810	ETRIER A GRIFFE	6Q0 615 423 B , 6Q0 615 423 A	24.3344-1709.7
	2	ArG	04.2002	02.2010	24.3344-1709.5	240810	ETRIER A GRIFFE	6Q0 615 423 B , 6Q0 615 423 A	24.3344-1709.7
IBIZA V (6J/6P) / ST / SC (08-17)	1,4 TSI	ArG	06.2009		24.3344-1709.5	240810	ETRIER A GRIFFE	6Q0 615 423 B , 6Q0 615 423 A	24.3344-1709.7
	1,4 TSI FR	ArG	12.2013		24.3344-1709.5	240810	ETRIER A GRIFFE	6Q0 615 423 B , 6Q0 615 423 A	24.3344-1709.7
LEON II (1P1) (05-12)	1,2 TSI		02.2010	10.2012	24.9145-0001.2	399005	HYDRAULIC CONTROL UNI	1K0 698 517 B	
	1,4 i 16V		06.2006	10.2012	24.9145-0001.2	399005	HYDRAULIC CONTROL UNI	1K0 698 517 B	
	1,4 TSI		11.2007	10.2012	24.9145-0001.2	399005	HYDRAULIC CONTROL UNI	1K0 698 517 B	
	1,6 i		08.2005	10.2012	24.9145-0001.2	399005	HYDRAULIC CONTROL UNI	1K0 698 517 B	
	1,6 LPG / Multifuel		12.2009	10.2012	24.9145-0001.2	399005	HYDRAULIC CONTROL UNI	1K0 698 517 B	
	1,6 TDI		11.2010	10.2012	24.9145-0001.2	399005	HYDRAULIC CONTROL UNI	1K0 698 517 B	
	1,6 TDI Ecomotive		02.2010	10.2012	24.9145-0001.2	399005	HYDRAULIC CONTROL UNI	1K0 698 517 B	
	1,8 TSI		06.2007	10.2012	24.9145-0001.2	399005	HYDRAULIC CONTROL UNI	1K0 698 517 B	
	1,9 TDI		08.2005	10.2012	24.9145-0001.2	399005	HYDRAULIC CONTROL UNI	1K0 698 517 B	
	2,0 Cupra R		11.2006	10.2012	24.9145-0001.2	399005	HYDRAULIC CONTROL UNI	1K0 698 517 B	
	2,0 FSI		08.2005	10.2012	24.9145-0001.2	399005	HYDRAULIC CONTROL UNI	1K0 698 517 B	



description

Références OE
par référence
ATE.



Références remplacées /
divers

SEAT

Modèle	Motorisation	02.2006	10.2012	24.9145-0001.2	399005	description	Références OE par référence ATE.	Références remplacées / divers
LEON II (1P1) (05-12)	2,0 TDI	02.2006	10.2012	24.9145-0001.2	399005	HYDRAULIC CONTROL UNI	1K0 698 517 B	
		08.2005	10.2012	24.9145-0001.2	399005	HYDRAULIC CONTROL UNI	1K0 698 517 B	
	2,0 TFSI	08.2005	10.2012	24.9145-0001.2	399005	HYDRAULIC CONTROL UNI	1K0 698 517 B	
		09.2005	10.2012	24.9145-0001.2	399005	HYDRAULIC CONTROL UNI	1K0 698 517 B	
		11.2006	10.2012	24.9145-0001.2	399005	HYDRAULIC CONTROL UNI	1K0 698 517 B	
TOLEDO III (5P2) (05-09)	1,4 16V	05.2006	03.2009	24.9145-0001.2	399005	HYDRAULIC CONTROL UNI	1K0 698 517 B	
	1,4 TSI	11.2007	03.2009	24.9145-0001.2	399005	HYDRAULIC CONTROL UNI	1K0 698 517 B	
	1,6 i 16V	10.2004	03.2009	24.9145-0001.2	399005	HYDRAULIC CONTROL UNI	1K0 698 517 B	
	1,8 TFSI	01.2007	03.2009	24.9145-0001.2	399005	HYDRAULIC CONTROL UNI	1K0 698 517 B	
	1,9 TDI	10.2004	03.2009	24.9145-0001.2	399005	HYDRAULIC CONTROL UNI	1K0 698 517 B	
	2,0 FSI	10.2004	03.2009	24.9145-0001.2	399005	HYDRAULIC CONTROL UNI	1K0 698 517 B	
	2,0 TDI	01.2006	03.2009	24.9145-0001.2	399005	HYDRAULIC CONTROL UNI	1K0 698 517 B	
		10.2004	03.2009	24.9145-0001.2	399005	HYDRAULIC CONTROL UNI	1K0 698 517 B	
	2,0 TFSI	11.2005	03.2009	24.9145-0001.2	399005	HYDRAULIC CONTROL UNI	1K0 698 517 B	



description

Références OE
par référence
ATE.



Références remplacées /
divers

SKODA

OCTAVIA II (1Z) (04-13)	1,4 i 16V		06.2004	12.2008	24.9145-0001.2	399005	HYDRAULIC CONTROL UNI	1K0 698 517 B	
	1,4 TSI		11.2008	12.2008	24.9145-0001.2	399005	HYDRAULIC CONTROL UNI	1K0 698 517 B	
	1,6 FSI		06.2004	12.2008	24.9145-0001.2	399005	HYDRAULIC CONTROL UNI	1K0 698 517 B	
	1,6 i 16V		06.2004	12.2008	24.9145-0001.2	399005	HYDRAULIC CONTROL UNI	1K0 698 517 B	
	1,8 TSI		06.2007	12.2008	24.9145-0001.2	399005	HYDRAULIC CONTROL UNI	1K0 698 517 B	
	1,8 TSI 4x4		11.2008	12.2008	24.9145-0001.2	399005	HYDRAULIC CONTROL UNI	1K0 698 517 B	
	1,9 TDI		06.2004	12.2008	24.9145-0001.2	399005	HYDRAULIC CONTROL UNI	1K0 698 517 B	
	1,9 TDI 4x4		11.2004	12.2008	24.9145-0001.2	399005	HYDRAULIC CONTROL UNI	1K0 698 517 B	
	2,0 FSI		11.2004	12.2008	24.9145-0001.2	399005	HYDRAULIC CONTROL UNI	1K0 698 517 B	
	2,0 FSI 4x4		11.2004	12.2008	24.9145-0001.2	399005	HYDRAULIC CONTROL UNI	1K0 698 517 B	
	2,0 RS		10.2005	12.2008	24.9145-0001.2	399005	HYDRAULIC CONTROL UNI	1K0 698 517 B	
	2,0 TDI		06.2004	12.2008	24.9145-0001.2	399005	HYDRAULIC CONTROL UNI	1K0 698 517 B	
	2,0 TDI 4x4		07.2006	12.2008	24.9145-0001.2	399005	HYDRAULIC CONTROL UNI	1K0 698 517 B	
	2,0 TDI RS		04.2006	12.2008	24.9145-0001.2	399005	HYDRAULIC CONTROL UNI	1K0 698 517 B	
OCTAVIA III (5E) (12-)	1,0 TSI		05.2016		13.0470-2621.2	LD2621	CERAMIC PLAO. FREIN	3C0 698 451 C , 1K0 698 451 K , 1K0 698 451 E , 3C0 698 451 A , 1K0 698 451 B	
	1,2 TSI		02.2013		13.0470-2621.2	LD2621	CERAMIC PLAO. FREIN	3C0 698 451 C , 1K0 698 451 K , 1K0 698 451 E , 3C0 698 451 A , 1K0 698 451 B	
			05.2015		13.0470-2621.2	LD2621	CERAMIC PLAO. FREIN	3C0 698 451 C , 1K0 698 451 K , 1K0 698 451 E , 3C0 698 451 A , 1K0 698 451 B	



description

Références OE
par référence
ATE.



Références remplacées /
divers

SKODA

OCTAVIA III (5E) (12-)	1,4 TSI		05.2015		13.0470-2621.2	LD2621	CERAMIC PLAO. FREIN	3C0 698 451 C , 1K0 698 451 K , 1K0 698 451 E , 3C0 698 451 A , 1K0 698 451 B	
			11.2012		13.0470-2621.2	LD2621	CERAMIC PLAO. FREIN	3C0 698 451 C , 1K0 698 451 K , 1K0 698 451 E , 3C0 698 451 A , 1K0 698 451 B	
	1,4 TSI G-TEC		11.2013		13.0470-2621.2	LD2621	CERAMIC PLAO. FREIN	3C0 698 451 C , 1K0 698 451 K , 1K0 698 451 E , 3C0 698 451 A , 1K0 698 451 B	
	1,6		01.2014		13.0470-2621.2	LD2621	CERAMIC PLAO. FREIN	3C0 698 451 C , 1K0 698 451 K , 1K0 698 451 E , 3C0 698 451 A , 1K0 698 451 B	
	1,6 TDI		02.2017		13.0470-2621.2	LD2621	CERAMIC PLAO. FREIN	3C0 698 451 C , 1K0 698 451 K , 1K0 698 451 E , 3C0 698 451 A , 1K0 698 451 B	
			02.2013		13.0470-2621.2	LD2621	CERAMIC PLAO. FREIN	3C0 698 451 C , 1K0 698 451 K , 1K0 698 451 E , 3C0 698 451 A , 1K0 698 451 B	
	1,6 TDI 4x4		05.2015		13.0470-2621.2	LD2621	CERAMIC PLAO. FREIN	3C0 698 451 C , 1K0 698 451 K , 1K0 698 451 E , 3C0 698 451 A , 1K0 698 451 B	
			11.2012		13.0470-2621.2	LD2621	CERAMIC PLAO. FREIN	3C0 698 451 C , 1K0 698 451 K , 1K0 698 451 E , 3C0 698 451 A , 1K0 698 451 B	
	1,8 TSI		11.2012		13.0470-2621.2	LD2621	CERAMIC PLAO. FREIN	3C0 698 451 C , 1K0 698 451 K , 1K0 698 451 E , 3C0 698 451 A , 1K0 698 451 B	
	1,8 TSI 4x4		11.2012		13.0470-2621.2	LD2621	CERAMIC PLAO. FREIN	3C0 698 451 C , 1K0 698 451 K , 1K0 698 451 E , 3C0 698 451 A , 1K0 698 451 B	
	2,0 TDI		11.2012		13.0470-2621.2	LD2621	CERAMIC PLAO. FREIN	3C0 698 451 C , 1K0 698 451 K , 1K0 698 451 E , 3C0 698 451 A , 1K0 698 451 B	



description

Références OE
par référence
ATE.



Références remplacées /
divers

SKODA

Modèle	Version	Date	Date	Code	Code	Description	Références OE	Références remplacées / divers
OCTAVIA III (5E) (12-)	2,0 TDI	05.2013		13.0470-2621.2	LD2621	CERAMIC PLAO. FREIN	3C0 698 451 C , 1K0 698 451 K , 1K0 698 451 E , 3C0 698 451 A , 1K0 698 451 B	
		02.2013		13.0470-2621.2	LD2621	CERAMIC PLAO. FREIN	3C0 698 451 C , 1K0 698 451 K , 1K0 698 451 E , 3C0 698 451 A , 1K0 698 451 B	
	2,0 TDI 4x4	09.2014		13.0470-2621.2	LD2621	CERAMIC PLAO. FREIN	3C0 698 451 C , 1K0 698 451 K , 1K0 698 451 E , 3C0 698 451 A , 1K0 698 451 B	
		11.2012		13.0470-2621.2	LD2621	CERAMIC PLAO. FREIN	3C0 698 451 C , 1K0 698 451 K , 1K0 698 451 E , 3C0 698 451 A , 1K0 698 451 B	
	2,0 TSI RS	02.2017		13.0470-2621.2	LD2621	CERAMIC PLAO. FREIN	3C0 698 451 C , 1K0 698 451 K , 1K0 698 451 E , 3C0 698 451 A , 1K0 698 451 B	
		05.2013		13.0470-2621.2	LD2621	CERAMIC PLAO. FREIN	3C0 698 451 C , 1K0 698 451 K , 1K0 698 451 E , 3C0 698 451 A , 1K0 698 451 B	
		05.2015		13.0470-2621.2	LD2621	CERAMIC PLAO. FREIN	3C0 698 451 C , 1K0 698 451 K , 1K0 698 451 E , 3C0 698 451 A , 1K0 698 451 B	
SUPERB II (08-15)	1,4 TSI	08.2008	02.2015	11.0230-0663.1	260131	CALIPER MOUNT. BRACKET	1K0 615 125 B	
	1,6 TDI	09.2010	02.2015	11.0230-0663.1	260131	CALIPER MOUNT. BRACKET	1K0 615 125 B	
	1,8 TFSI	08.2008	02.2015	11.0230-0663.1	260131	CALIPER MOUNT. BRACKET	1K0 615 125 B	
	1,8 TSI 4x4	10.2008	02.2015	11.0230-0663.1	260131	CALIPER MOUNT. BRACKET	1K0 615 125 B	
	1,9 TDI	08.2008	02.2015	11.0230-0663.1	260131	CALIPER MOUNT. BRACKET	1K0 615 125 B	
	2,0 TDI	08.2008	02.2015	11.0230-0663.1	260131	CALIPER MOUNT. BRACKET	1K0 615 125 B	
	2,0 TDI 4x4	10.2008	02.2015	11.0230-0663.1	260131	CALIPER MOUNT. BRACKET	1K0 615 125 B	
	2,0 TSI	05.2010	02.2015	11.0230-0663.1	260131	CALIPER MOUNT. BRACKET	1K0 615 125 B	



description

Références OE
par référence
ATE.



Références remplacées /
divers

SKODA

Modèle	Motorisation	Année de début	Année de fin	Code OE	Code ATE	Description	Références OE	Références ATE
SUPERB II (08-15)	3,6 FSI V6 4x4	11.2008	02.2015	11.0230-0663.1	260131	CALIPER MOUNT. BRACKET	1K0 615 125 B	
SUPERB II Combi (09-15)	1,4 TSI	11.2009	02.2015	11.0230-0663.1	260131	CALIPER MOUNT. BRACKET	1K0 615 125 B	
	1,6 TDI	09.2010	02.2015	11.0230-0663.1	260131	CALIPER MOUNT. BRACKET	1K0 615 125 B	
	1,8 TSI	11.2009	02.2015	11.0230-0663.1	260131	CALIPER MOUNT. BRACKET	1K0 615 125 B	
	1,8 TSI 4x4	11.2009	02.2015	11.0230-0663.1	260131	CALIPER MOUNT. BRACKET	1K0 615 125 B	
	1,9 TDI	10.2009	02.2015	11.0230-0663.1	260131	CALIPER MOUNT. BRACKET	1K0 615 125 B	
	2,0 TDI	11.2009	02.2015	11.0230-0663.1	260131	CALIPER MOUNT. BRACKET	1K0 615 125 B	
	2,0 TDI 4x4	11.2009	02.2015	11.0230-0663.1	260131	CALIPER MOUNT. BRACKET	1K0 615 125 B	
	2,0 TSI	05.2010	02.2015	11.0230-0663.1	260131	CALIPER MOUNT. BRACKET	1K0 615 125 B	
	3,6 V6 4x4	11.2009	02.2015	11.0230-0663.1	260131	CALIPER MOUNT. BRACKET	1K0 615 125 B	



description

Références OE
par référence
ATE.



Références remplacées /
divers

VOLKSWAGEN

AMAROK (10-)	2,0 BiTDI		11.2011		03.2126-5132.3	011012	TANDEM MASTER CYLINDE	2H0 611 019	
			09.2010		03.2126-5132.3	011012	TANDEM MASTER CYLINDE	2H0 611 019	
	2,0 BiTDI 4motion		09.2010		03.2126-5132.3	011012	TANDEM MASTER CYLINDE	2H0 611 019	
	2,0 TDI		07.2012		03.2126-5132.3	011012	TANDEM MASTER CYLINDE	2H0 611 019	
			09.2010		03.2126-5132.3	011012	TANDEM MASTER CYLINDE	2H0 611 019	
	2,0 TDI 4motion		06.2012		03.2126-5132.3	011012	TANDEM MASTER CYLINDE	2H0 611 019	
			09.2010		03.2126-5132.3	011012	TANDEM MASTER CYLINDE	2H0 611 019	
			11.2011		03.2126-5132.3	011012	TANDEM MASTER CYLINDE	2H0 611 019	
	2,0 TSI		12.2010		03.2126-5132.3	011012	TANDEM MASTER CYLINDE	2H0 611 019	
	3,0 TDI 4motion		09.2016		03.2126-5132.3	011012	TANDEM MASTER CYLINDE	2H0 611 019	
			06.2016		03.2126-5132.3	011012	TANDEM MASTER CYLINDE	2H0 611 019	
CADDY III (04-15)	1,2 TSI		09.2010	12.2010	24.9145-0001.2	399005	HYDRAULIC CONTROL UNI	1K0 698 517 B	
	1,4		02.2004	12.2010	24.9145-0001.2	399005	HYDRAULIC CONTROL UNI	1K0 698 517 B	
	1,4 16V		05.2006	12.2010	24.9145-0001.2	399005	HYDRAULIC CONTROL UNI	1K0 698 517 B	
	1,6		04.2004	12.2010	24.9145-0001.2	399005	HYDRAULIC CONTROL UNI	1K0 698 517 B	
	1,6 TDI		08.2010	12.2010	24.9145-0001.2	399005	HYDRAULIC CONTROL UNI	1K0 698 517 B	
	1,9 TDI		09.2005	12.2010	24.9145-0001.2	399005	HYDRAULIC CONTROL UNI	1K0 698 517 B	
			02.2004	12.2010	24.9145-0001.2	399005	HYDRAULIC CONTROL UNI	1K0 698 517 B	
	1,9 TDI 4motion		05.2008	12.2010	24.9145-0001.2	399005	HYDRAULIC CONTROL UNI	1K0 698 517 B	
	2,0 Eco Fuel		04.2006	12.2010	24.9145-0001.2	399005	HYDRAULIC CONTROL UNI	1K0 698 517 B	
	2,0 SDI		02.2004	12.2010	24.9145-0001.2	399005	HYDRAULIC CONTROL UNI	1K0 698 517 B	



description

Références OE
par référence
ATE.



Références remplacées /
divers

VOLKSWAGEN

Modèle	Moteur	09.2007	12.2010	24.9145-0001.2	399005	description	1K0 698 517 B	
CADDY III (04-15)	2,0 TDI					HYDRAULIC CONTROL UNI	1K0 698 517 B	
			10.2010	12.2010	24.9145-0001.2	399005	HYDRAULIC CONTROL UNI	1K0 698 517 B
	2,0 TDI 4motion		10.2010	12.2010	24.9145-0001.2	399005	HYDRAULIC CONTROL UNI	1K0 698 517 B
EOS (06-)	1,4 TSI		05.2008		11.0230-0663.1	260131	CALIPER MOUNT. BRACKET	1K0 615 125 B
			10.2007		11.0230-0663.1	260131	CALIPER MOUNT. BRACKET	1K0 615 125 B
		10.2007	12.2008	24.9145-0001.2	399005	HYDRAULIC CONTROL UNI	1K0 698 517 B	
		05.2008	12.2008	24.9145-0001.2	399005	HYDRAULIC CONTROL UNI	1K0 698 517 B	
	1,6 FSI		05.2006		11.0230-0663.1	260131	CALIPER MOUNT. BRACKET	1K0 615 125 B
			05.2006	12.2008	24.9145-0001.2	399005	HYDRAULIC CONTROL UNI	1K0 698 517 B
	2,0 FSI		05.2006		11.0230-0663.1	260131	CALIPER MOUNT. BRACKET	1K0 615 125 B
			05.2006	12.2008	24.9145-0001.2	399005	HYDRAULIC CONTROL UNI	1K0 698 517 B
	2,0 TDI		11.2010		11.0230-0663.1	260131	CALIPER MOUNT. BRACKET	1K0 615 125 B
			05.2006		11.0230-0663.1	260131	CALIPER MOUNT. BRACKET	1K0 615 125 B
			05.2006	12.2008	24.9145-0001.2	399005	HYDRAULIC CONTROL UNI	1K0 698 517 B
			05.2008		11.0230-0663.1	260131	CALIPER MOUNT. BRACKET	1K0 615 125 B
	2,0 TDI 16V		05.2008		11.0230-0663.1	260131	CALIPER MOUNT. BRACKET	1K0 615 125 B
			05.2008	12.2008	24.9145-0001.2	399005	HYDRAULIC CONTROL UNI	1K0 698 517 B
	2,0 TFSI		05.2006		11.0230-0663.1	260131	CALIPER MOUNT. BRACKET	1K0 615 125 B
			05.2006	12.2008	24.9145-0001.2	399005	HYDRAULIC CONTROL UNI	1K0 698 517 B
	2,0 TSI		11.2009		11.0230-0663.1	260131	CALIPER MOUNT. BRACKET	1K0 615 125 B
	3,2 V6		05.2006		11.0230-0663.1	260131	CALIPER MOUNT. BRACKET	1K0 615 125 B
			05.2006	12.2008	24.9145-0001.2	399005	HYDRAULIC CONTROL UNI	1K0 698 517 B



description

Références OE
par référence
ATE.



Références remplacées /
divers

VOLKSWAGEN

Modèle	Motorisation	Année	Année	Code OE	Code ATE	Description	Références OE	Références ATE
EOS (06-)	3,6 V6	05.2009		11.0230-0663.1	260131	CALIPER MOUNT. BRACKET	1K0 615 125 B	
GOLF Plus (05-14)	1,4 16V	01.2005	12.2008	24.9145-0001.2	399005	HYDRAULIC CONTROL UNI	1K0 698 517 B	
	1,4 FSI	07.2005	12.2008	24.9145-0001.2	399005	HYDRAULIC CONTROL UNI	1K0 698 517 B	
	1,4 TSI	06.2008	12.2008	24.9145-0001.2	399005	HYDRAULIC CONTROL UNI	1K0 698 517 B	
		05.2006	12.2008	24.9145-0001.2	399005	HYDRAULIC CONTROL UNI	1K0 698 517 B	
		06.2007	12.2008	24.9145-0001.2	399005	HYDRAULIC CONTROL UNI	1K0 698 517 B	
	1,6	05.2005	12.2008	24.9145-0001.2	399005	HYDRAULIC CONTROL UNI	1K0 698 517 B	
	1,6 FSI	01.2005	12.2008	24.9145-0001.2	399005	HYDRAULIC CONTROL UNI	1K0 698 517 B	
	1,9 TDI	01.2005	12.2008	24.9145-0001.2	399005	HYDRAULIC CONTROL UNI	1K0 698 517 B	
		05.2005	12.2008	24.9145-0001.2	399005	HYDRAULIC CONTROL UNI	1K0 698 517 B	
		2,0 FSI	05.2005	12.2008	24.9145-0001.2	399005	HYDRAULIC CONTROL UNI	1K0 698 517 B
	2,0 TDI	05.2005	12.2008	24.9145-0001.2	399005	HYDRAULIC CONTROL UNI	1K0 698 517 B	
		01.2005	12.2008	24.9145-0001.2	399005	HYDRAULIC CONTROL UNI	1K0 698 517 B	
GOLF V (03-08)	1,4 16V	10.2003	09.2008	24.9145-0001.2	399005	HYDRAULIC CONTROL UNI	1K0 698 517 B	
	1,4 FSI	10.2003	09.2008	24.9145-0001.2	399005	HYDRAULIC CONTROL UNI	1K0 698 517 B	
	1,4 TSI	05.2006	09.2008	24.9145-0001.2	399005	HYDRAULIC CONTROL UNI	1K0 698 517 B	
		05.2007	09.2008	24.9145-0001.2	399005	HYDRAULIC CONTROL UNI	1K0 698 517 B	
		11.2005	09.2008	24.9145-0001.2	399005	HYDRAULIC CONTROL UNI	1K0 698 517 B	
	1,6 16V	01.2004	09.2008	24.9145-0001.2	399005	HYDRAULIC CONTROL UNI	1K0 698 517 B	
	1,6 FSI	10.2003	09.2008	24.9145-0001.2	399005	HYDRAULIC CONTROL UNI	1K0 698 517 B	
	1,8 GTI	08.2006	09.2008	24.9145-0001.2	399005	HYDRAULIC CONTROL UNI	1K0 698 517 B	



description

Références OE
par référence
ATE.



Références remplacées /
divers

VOLKSWAGEN

GOLF V (03-08)	1,9 TDI		10.2003	09.2008	24.9145-0001.2	399005	HYDRAULIC CONTROL UNI	1K0 698 517 B	
			05.2004	09.2008	24.9145-0001.2	399005	HYDRAULIC CONTROL UNI	1K0 698 517 B	
	1,9 TDI 4motion		08.2004	09.2008	24.9145-0001.2	399005	HYDRAULIC CONTROL UNI	1K0 698 517 B	
	2		08.2006	09.2008	24.9145-0001.2	399005	HYDRAULIC CONTROL UNI	1K0 698 517 B	
	2,0 FSI		10.2003	09.2008	24.9145-0001.2	399005	HYDRAULIC CONTROL UNI	1K0 698 517 B	
	2,0 FSI 4motion		08.2004	09.2008	24.9145-0001.2	399005	HYDRAULIC CONTROL UNI	1K0 698 517 B	
	2,0 GTI		09.2006	09.2008	24.9145-0001.2	399005	HYDRAULIC CONTROL UNI	1K0 698 517 B	
			09.2004	09.2008	24.9145-0001.2	399005	HYDRAULIC CONTROL UNI	1K0 698 517 B	
	2,0 SDI		01.2004	09.2008	24.9145-0001.2	399005	HYDRAULIC CONTROL UNI	1K0 698 517 B	
	2,0 TDI		11.2005	09.2008	24.9145-0001.2	399005	HYDRAULIC CONTROL UNI	1K0 698 517 B	
			10.2003	09.2008	24.9145-0001.2	399005	HYDRAULIC CONTROL UNI	1K0 698 517 B	
	2,0 TDI 4motion		08.2004	09.2008	24.9145-0001.2	399005	HYDRAULIC CONTROL UNI	1K0 698 517 B	
	3,2 R32		11.2005	09.2008	24.9145-0001.2	399005	HYDRAULIC CONTROL UNI	1K0 698 517 B	
GOLF V Variant (07-09)	1,4		06.2007	06.2009	24.9145-0001.2	399005	HYDRAULIC CONTROL UNI	1K0 698 517 B	
	1,4 TSI		05.2007	06.2009	24.9145-0001.2	399005	HYDRAULIC CONTROL UNI	1K0 698 517 B	
			06.2007	06.2009	24.9145-0001.2	399005	HYDRAULIC CONTROL UNI	1K0 698 517 B	
			07.2008	06.2009	24.9145-0001.2	399005	HYDRAULIC CONTROL UNI	1K0 698 517 B	
	1,6		05.2007	06.2009	24.9145-0001.2	399005	HYDRAULIC CONTROL UNI	1K0 698 517 B	
	1,9 TDI		05.2007	06.2009	24.9145-0001.2	399005	HYDRAULIC CONTROL UNI	1K0 698 517 B	
	1,9 TDI 4motion		12.2007	06.2009	24.9145-0001.2	399005	HYDRAULIC CONTROL UNI	1K0 698 517 B	
	2		06.2007	06.2009	24.9145-0001.2	399005	HYDRAULIC CONTROL UNI	1K0 698 517 B	



description

Références OE
par référence
ATE.



Références remplacées /
divers

VOLKSWAGEN

GOLF V Variant (07-09)	2,0 TDI		05.2007	06.2009	24.9145-0001.2	399005	HYDRAULIC CONTROL UNI	1K0 698 517 B	
JETTA V (05-10)	1,4 TSI		05.2007	10.2010	24.9145-0001.2	399005	HYDRAULIC CONTROL UNI	1K0 698 517 B	
			06.2006	10.2010	24.9145-0001.2	399005	HYDRAULIC CONTROL UNI	1K0 698 517 B	
			07.2008	10.2010	24.9145-0001.2	399005	HYDRAULIC CONTROL UNI	1K0 698 517 B	
	1,6 FSI		08.2005	10.2010	24.9145-0001.2	399005	HYDRAULIC CONTROL UNI	1K0 698 517 B	
	1,6 i 16V		08.2005	10.2010	24.9145-0001.2	399005	HYDRAULIC CONTROL UNI	1K0 698 517 B	
	1,6 TDI		06.2009	10.2010	24.9145-0001.2	399005	HYDRAULIC CONTROL UNI	1K0 698 517 B	
	1,9 TDI		08.2005	10.2010	24.9145-0001.2	399005	HYDRAULIC CONTROL UNI	1K0 698 517 B	
	2,0 FSI		08.2005	10.2010	24.9145-0001.2	399005	HYDRAULIC CONTROL UNI	1K0 698 517 B	
	2,0 TDI		06.2006	10.2010	24.9145-0001.2	399005	HYDRAULIC CONTROL UNI	1K0 698 517 B	
			09.2005	10.2010	24.9145-0001.2	399005	HYDRAULIC CONTROL UNI	1K0 698 517 B	
			08.2005	10.2010	24.9145-0001.2	399005	HYDRAULIC CONTROL UNI	1K0 698 517 B	
	2,0 TFSI		10.2005	10.2010	24.9145-0001.2	399005	HYDRAULIC CONTROL UNI	1K0 698 517 B	
	2,5 FSI		07.2008	10.2010	24.9145-0001.2	399005	HYDRAULIC CONTROL UNI	1K0 698 517 B	
LT/LT 4x4 (96-06)	LT 28	AvG	05.1996	07.2006	24.3601-8514.5	240688	ETRIER A GRIFFE	2D0 615 124 , A 901 420 47 01 , A 901 420 42 01 , A 901 420 40 01 , A 002 420 61 83 , 901 420 47 01 , 002 420 61 83 , 901 420 42 01 , 901 420 40 01	11.3601-8514.2
	LT 35	AvG	05.1996	07.2006	24.3601-8514.5	240688	ETRIER A GRIFFE	2D0 615 124 , A 901 420 47 01 , A 901 420 42 01 , A 901 420 40 01 , A 002 420 61 83 , 901 420 47 01 , 002 420 61 83 , 901 420 42 01 , 901 420 40 01	11.3601-8514.2



description

Références OE
par référence
ATE.



Références remplacées /
divers

VOLKSWAGEN

PASSAT / PASSAT VARIANT (10-14)	1,4 TSI		11.2012	10.2014	13.0470-2621.2	LD2621	CERAMIC PLAO. FREIN	3C0 698 451 C , 1K0 698 451 K , 1K0 698 451 E , 3C0 698 451 A , 1K0 698 451 B	
			08.2010	10.2014	13.0470-2621.2	LD2621	CERAMIC PLAO. FREIN	3C0 698 451 C , 1K0 698 451 K , 1K0 698 451 E , 3C0 698 451 A , 1K0 698 451 B	
	1,6 TDI		08.2010	10.2014	13.0470-2621.2	LD2621	CERAMIC PLAO. FREIN	3C0 698 451 C , 1K0 698 451 K , 1K0 698 451 E , 3C0 698 451 A , 1K0 698 451 B	
	1,8 TSI		08.2010	10.2014	13.0470-2621.2	LD2621	CERAMIC PLAO. FREIN	3C0 698 451 C , 1K0 698 451 K , 1K0 698 451 E , 3C0 698 451 A , 1K0 698 451 B	
	2,0 TDI		08.2010	10.2014	13.0470-2621.2	LD2621	CERAMIC PLAO. FREIN	3C0 698 451 C , 1K0 698 451 K , 1K0 698 451 E , 3C0 698 451 A , 1K0 698 451 B	
			12.2012	10.2014	13.0470-2621.2	LD2621	CERAMIC PLAO. FREIN	3C0 698 451 C , 1K0 698 451 K , 1K0 698 451 E , 3C0 698 451 A , 1K0 698 451 B	
	2,0 TDI 4motion		01.2013	10.2014	13.0470-2621.2	LD2621	CERAMIC PLAO. FREIN	3C0 698 451 C , 1K0 698 451 K , 1K0 698 451 E , 3C0 698 451 A , 1K0 698 451 B	
			08.2010	10.2014	13.0470-2621.2	LD2621	CERAMIC PLAO. FREIN	3C0 698 451 C , 1K0 698 451 K , 1K0 698 451 E , 3C0 698 451 A , 1K0 698 451 B	
	2,0 TSI		11.2010	10.2014	13.0470-2621.2	LD2621	CERAMIC PLAO. FREIN	3C0 698 451 C , 1K0 698 451 K , 1K0 698 451 E , 3C0 698 451 A , 1K0 698 451 B	
	3,6 FSI 4motion		01.2011	10.2014	13.0470-2621.2	LD2621	CERAMIC PLAO. FREIN	3C0 698 451 C , 1K0 698 451 K , 1K0 698 451 E , 3C0 698 451 A , 1K0 698 451 B	
PASSAT ALLTRACK (12-14)	1,8 TSI		01.2012		13.0470-2621.2	LD2621	CERAMIC PLAO. FREIN	3C0 698 451 C , 1K0 698 451 K , 1K0 698 451 E , 3C0 698 451 A , 1K0 698 451 B	



description

Références OE
par référence
ATE.



Références remplacées /
divers

VOLKSWAGEN

Modèle	Motorisation	Date de mise en service	Date de fin de production	Code ATE	Code OE	Description	Références OE	Références ATE	Références remplacées / divers
PASSAT ALLTRACK (12-14)	2,0 TDI	01.2012		13.0470-2621.2	LD2621	CERAMIC PLAO. FREIN	3C0 698 451 C , 1K0 698 451 K , 1K0 698 451 E , 3C0 698 451 A , 1K0 698 451 B		
	2,0 TDI 4motion	01.2012		13.0470-2621.2	LD2621	CERAMIC PLAO. FREIN	3C0 698 451 C , 1K0 698 451 K , 1K0 698 451 E , 3C0 698 451 A , 1K0 698 451 B		
		01.2013		13.0470-2621.2	LD2621	CERAMIC PLAO. FREIN	3C0 698 451 C , 1K0 698 451 K , 1K0 698 451 E , 3C0 698 451 A , 1K0 698 451 B		
	2,0 TSI 4motion	01.2012		13.0470-2621.2	LD2621	CERAMIC PLAO. FREIN	3C0 698 451 C , 1K0 698 451 K , 1K0 698 451 E , 3C0 698 451 A , 1K0 698 451 B		
PASSAT CC (08-11)	1,4 TSI MultiFuel	01.2011	09.2011	11.0230-0663.1	260131	CALIPER MOUNT. BRACKET	1K0 615 125 B		
		01.2011	09.2011	13.0470-2621.2	LD2621	CERAMIC PLAO. FREIN	3C0 698 451 C , 1K0 698 451 K , 1K0 698 451 E , 3C0 698 451 A , 1K0 698 451 B		
	1,8 TSI	04.2008	09.2011	11.0230-0663.1	260131	CALIPER MOUNT. BRACKET	1K0 615 125 B		
		04.2008	09.2011	13.0470-2621.2	LD2621	CERAMIC PLAO. FREIN	3C0 698 451 C , 1K0 698 451 K , 1K0 698 451 E , 3C0 698 451 A , 1K0 698 451 B		
	2,0 TDI	04.2008	09.2011	11.0230-0663.1	260131	CALIPER MOUNT. BRACKET	1K0 615 125 B		
		06.2008	09.2011	11.0230-0663.1	260131	CALIPER MOUNT. BRACKET	1K0 615 125 B		
		06.2008	09.2011	13.0470-2621.2	LD2621	CERAMIC PLAO. FREIN	3C0 698 451 C , 1K0 698 451 K , 1K0 698 451 E , 3C0 698 451 A , 1K0 698 451 B		
		04.2008	09.2011	13.0470-2621.2	LD2621	CERAMIC PLAO. FREIN	3C0 698 451 C , 1K0 698 451 K , 1K0 698 451 E , 3C0 698 451 A , 1K0 698 451 B		
	2,0 TDI 4motion	08.2009	09.2011	11.0230-0663.1	260131	CALIPER MOUNT. BRACKET	1K0 615 125 B		
		11.2009	09.2011	11.0230-0663.1	260131	CALIPER MOUNT. BRACKET	1K0 615 125 B		



description

Références OE
par référence
ATE.



Références remplacées /
divers

VOLKSWAGEN

Modèle	Moteur	Date 1	Date 2	Code 1	Code 2	Description	Références OE	Références ATE	Références divers
PASSAT CC (08-11)	2,0 TDI 4motion	11.2009	09.2011	13.0470-2621.2	LD2621	CERAMIC PLAO. FREIN	3C0 698 451 C, 1K0 698 451 K, 1K0 698 451 E, 3C0 698 451 A, 1K0 698 451 B		
		08.2009	09.2011	13.0470-2621.2	LD2621	CERAMIC PLAO. FREIN	3C0 698 451 C, 1K0 698 451 K, 1K0 698 451 E, 3C0 698 451 A, 1K0 698 451 B		
	2,0 TSI	04.2008	09.2011	11.0230-0663.1	260131	CALIPER MOUNT. BRACKET	1K0 615 125 B		
		04.2008	09.2011	13.0470-2621.2	LD2621	CERAMIC PLAO. FREIN	3C0 698 451 C, 1K0 698 451 K, 1K0 698 451 E, 3C0 698 451 A, 1K0 698 451 B		
	3,6 FSI 4motion	04.2008	09.2011	11.0230-0663.1	260131	CALIPER MOUNT. BRACKET	1K0 615 125 B		
		04.2008	09.2011	13.0470-2621.2	LD2621	CERAMIC PLAO. FREIN	3C0 698 451 C, 1K0 698 451 K, 1K0 698 451 E, 3C0 698 451 A, 1K0 698 451 B		
PASSAT CC (11-)	1,4 TSI	05.2015		13.0470-2621.2	LD2621	CERAMIC PLAO. FREIN	3C0 698 451 C, 1K0 698 451 K, 1K0 698 451 E, 3C0 698 451 A, 1K0 698 451 B		
		11.2011		13.0470-2621.2	LD2621	CERAMIC PLAO. FREIN	3C0 698 451 C, 1K0 698 451 K, 1K0 698 451 E, 3C0 698 451 A, 1K0 698 451 B		
	1,8 TSI	11.2011		13.0470-2621.2	LD2621	CERAMIC PLAO. FREIN	3C0 698 451 C, 1K0 698 451 K, 1K0 698 451 E, 3C0 698 451 A, 1K0 698 451 B		
	2,0 TDI	11.2011		13.0470-2621.2	LD2621	CERAMIC PLAO. FREIN	3C0 698 451 C, 1K0 698 451 K, 1K0 698 451 E, 3C0 698 451 A, 1K0 698 451 B		
		05.2015		13.0470-2621.2	LD2621	CERAMIC PLAO. FREIN	3C0 698 451 C, 1K0 698 451 K, 1K0 698 451 E, 3C0 698 451 A, 1K0 698 451 B		
		12.2012		13.0470-2621.2	LD2621	CERAMIC PLAO. FREIN	3C0 698 451 C, 1K0 698 451 K, 1K0 698 451 E, 3C0 698 451 A, 1K0 698 451 B		



description

Références OE
par référence
ATE.



Références remplacées /
divers

VOLKSWAGEN

Modèle	Motorisation	Date 1	Date 2	Code 1	Code 2	Description	Références OE	Références remplacées / divers
PASSAT CC (11-)	2,0 TDI 4motion	11.2011		13.0470-2621.2	LD2621	CERAMIC PLAO. FREIN	3C0 698 451 C, 1K0 698 451 K, 1K0 698 451 E, 3C0 698 451 A, 1K0 698 451 B	
		12.2012		13.0470-2621.2	LD2621	CERAMIC PLAO. FREIN	3C0 698 451 C, 1K0 698 451 K, 1K0 698 451 E, 3C0 698 451 A, 1K0 698 451 B	
	2,0 TSI	11.2011		13.0470-2621.2	LD2621	CERAMIC PLAO. FREIN	3C0 698 451 C, 1K0 698 451 K, 1K0 698 451 E, 3C0 698 451 A, 1K0 698 451 B	
	3,6 V6 4motion	11.2011		13.0470-2621.2	LD2621	CERAMIC PLAO. FREIN	3C0 698 451 C, 1K0 698 451 K, 1K0 698 451 E, 3C0 698 451 A, 1K0 698 451 B	
PASSAT Limousine (05-10)	1,4 TSI	10.2007	07.2010	11.0230-0663.1	260131	CALIPER MOUNT. BRACKET	1K0 615 125 B	
		10.2007	07.2010	13.0470-2621.2	LD2621	CERAMIC PLAO. FREIN	3C0 698 451 C, 1K0 698 451 K, 1K0 698 451 E, 3C0 698 451 A, 1K0 698 451 B	
	1,6	03.2005	07.2010	11.0230-0663.1	260131	CALIPER MOUNT. BRACKET	1K0 615 125 B	
		03.2005	07.2010	13.0470-2621.2	LD2621	CERAMIC PLAO. FREIN	3C0 698 451 C, 1K0 698 451 K, 1K0 698 451 E, 3C0 698 451 A, 1K0 698 451 B	
	1,6 FSI	03.2005	07.2010	11.0230-0663.1	260131	CALIPER MOUNT. BRACKET	1K0 615 125 B	
		03.2005	07.2010	13.0470-2621.2	LD2621	CERAMIC PLAO. FREIN	3C0 698 451 C, 1K0 698 451 K, 1K0 698 451 E, 3C0 698 451 A, 1K0 698 451 B	
	1,6 TDI	08.2009	07.2010	11.0230-0663.1	260131	CALIPER MOUNT. BRACKET	1K0 615 125 B	
		08.2009	07.2010	13.0470-2621.2	LD2621	CERAMIC PLAO. FREIN	3C0 698 451 C, 1K0 698 451 K, 1K0 698 451 E, 3C0 698 451 A, 1K0 698 451 B	
	1,8 TSI	11.2009	07.2010	11.0230-0663.1	260131	CALIPER MOUNT. BRACKET	1K0 615 125 B	
		10.2007	07.2010	11.0230-0663.1	260131	CALIPER MOUNT. BRACKET	1K0 615 125 B	



description

Références OE
par référence
ATE.



Références remplacées /
divers

VOLKSWAGEN

PASSAT Limousine (05-10)	1,8 TSI		10.2007	07.2010	13.0470-2621.2	LD2621	CERAMIC PLAO. FREIN	3C0 698 451 C , 1K0 698 451 K , 1K0 698 451 E , 3C0 698 451 A , 1K0 698 451 B	
			11.2009	07.2010	13.0470-2621.2	LD2621	CERAMIC PLAO. FREIN	3C0 698 451 C , 1K0 698 451 K , 1K0 698 451 E , 3C0 698 451 A , 1K0 698 451 B	
	1,9 TDI		03.2005	07.2010	11.0230-0663.1	260131	CALIPER MOUNT. BRACKET	1K0 615 125 B	
			03.2005	07.2010	13.0470-2621.2	LD2621	CERAMIC PLAO. FREIN	3C0 698 451 C , 1K0 698 451 K , 1K0 698 451 E , 3C0 698 451 A , 1K0 698 451 B	
	2,0 FSI		03.2005	07.2010	11.0230-0663.1	260131	CALIPER MOUNT. BRACKET	1K0 615 125 B	
			03.2005	07.2010	13.0470-2621.2	LD2621	CERAMIC PLAO. FREIN	3C0 698 451 C , 1K0 698 451 K , 1K0 698 451 E , 3C0 698 451 A , 1K0 698 451 B	
	2,0 FSI 4motion		03.2005	07.2010	11.0230-0663.1	260131	CALIPER MOUNT. BRACKET	1K0 615 125 B	
			03.2005	07.2010	13.0470-2621.2	LD2621	CERAMIC PLAO. FREIN	3C0 698 451 C , 1K0 698 451 K , 1K0 698 451 E , 3C0 698 451 A , 1K0 698 451 B	
	2,0 TDI		08.2005	07.2010	11.0230-0663.1	260131	CALIPER MOUNT. BRACKET	1K0 615 125 B	
			03.2005	07.2010	11.0230-0663.1	260131	CALIPER MOUNT. BRACKET	1K0 615 125 B	
			08.2005	07.2010	13.0470-2621.2	LD2621	CERAMIC PLAO. FREIN	3C0 698 451 C , 1K0 698 451 K , 1K0 698 451 E , 3C0 698 451 A , 1K0 698 451 B	
			03.2005	07.2010	13.0470-2621.2	LD2621	CERAMIC PLAO. FREIN	3C0 698 451 C , 1K0 698 451 K , 1K0 698 451 E , 3C0 698 451 A , 1K0 698 451 B	
	2,0 TDI 16V		03.2005	07.2010	11.0230-0663.1	260131	CALIPER MOUNT. BRACKET	1K0 615 125 B	
			03.2005	07.2010	13.0470-2621.2	LD2621	CERAMIC PLAO. FREIN	3C0 698 451 C , 1K0 698 451 K , 1K0 698 451 E , 3C0 698 451 A , 1K0 698 451 B	



description

Références OE
par référence
ATE.

i
Références remplacées /
divers

VOLKSWAGEN

Modèle	Moteur	05.2009	07.2010	11.0230-0663.1	260131	CALIPER MOUNT. BRACKET	1K0 615 125 B
PASSAT Limousine (05-10)	2,0 TDI 4motion						
		03.2005	07.2010	11.0230-0663.1	260131	CALIPER MOUNT. BRACKET	1K0 615 125 B
		03.2005	07.2010	13.0470-2621.2	LD2621	CERAMIC PLAO. FREIN	3C0 698 451 C , 1K0 698 451 K , 1K0 698 451 E , 3C0 698 451 A , 1K0 698 451 B
		05.2009	07.2010	13.0470-2621.2	LD2621	CERAMIC PLAO. FREIN	3C0 698 451 C , 1K0 698 451 K , 1K0 698 451 E , 3C0 698 451 A , 1K0 698 451 B
	3,2 V6 FSI 4motion	09.2005	07.2010	11.0230-0663.1	260131	CALIPER MOUNT. BRACKET	1K0 615 125 B
		09.2005	07.2010	13.0470-2621.2	LD2621	CERAMIC PLAO. FREIN	3C0 698 451 C , 1K0 698 451 K , 1K0 698 451 E , 3C0 698 451 A , 1K0 698 451 B
	3,6 R36	04.2007	07.2010	11.0230-0663.1	260131	CALIPER MOUNT. BRACKET	1K0 615 125 B
		04.2007	07.2010	13.0470-2621.2	LD2621	CERAMIC PLAO. FREIN	3C0 698 451 C , 1K0 698 451 K , 1K0 698 451 E , 3C0 698 451 A , 1K0 698 451 B
PASSAT Variant (05-10)	1,4 TSI	10.2007	07.2010	11.0230-0663.1	260131	CALIPER MOUNT. BRACKET	1K0 615 125 B
		10.2007	07.2010	13.0470-2621.2	LD2621	CERAMIC PLAO. FREIN	3C0 698 451 C , 1K0 698 451 K , 1K0 698 451 E , 3C0 698 451 A , 1K0 698 451 B
	1,6	07.2005	07.2010	11.0230-0663.1	260131	CALIPER MOUNT. BRACKET	1K0 615 125 B
		07.2005	07.2010	13.0470-2621.2	LD2621	CERAMIC PLAO. FREIN	3C0 698 451 C , 1K0 698 451 K , 1K0 698 451 E , 3C0 698 451 A , 1K0 698 451 B
	1,6 FSI	07.2005	07.2010	11.0230-0663.1	260131	CALIPER MOUNT. BRACKET	1K0 615 125 B
		07.2005	07.2010	13.0470-2621.2	LD2621	CERAMIC PLAO. FREIN	3C0 698 451 C , 1K0 698 451 K , 1K0 698 451 E , 3C0 698 451 A , 1K0 698 451 B
	1,6 TDI	08.2009	07.2010	11.0230-0663.1	260131	CALIPER MOUNT. BRACKET	1K0 615 125 B



description

Références OE
par référence
ATE.



Références remplacées /
divers

VOLKSWAGEN

PASSAT Variant (05-10)	1,6 TDI		08.2009	07.2010	13.0470-2621.2	LD2621	CERAMIC PLAO. FREIN	3C0 698 451 C , 1K0 698 451 K , 1K0 698 451 E , 3C0 698 451 A , 1K0 698 451 B	
	1,8 TSI		10.2007	07.2010	11.0230-0663.1	260131	CALIPER MOUNT. BRACKET	1K0 615 125 B	
			11.2009	07.2010	11.0230-0663.1	260131	CALIPER MOUNT. BRACKET	1K0 615 125 B	
			11.2009	07.2010	13.0470-2621.2	LD2621	CERAMIC PLAO. FREIN	3C0 698 451 C , 1K0 698 451 K , 1K0 698 451 E , 3C0 698 451 A , 1K0 698 451 B	
			10.2007	07.2010	13.0470-2621.2	LD2621	CERAMIC PLAO. FREIN	3C0 698 451 C , 1K0 698 451 K , 1K0 698 451 E , 3C0 698 451 A , 1K0 698 451 B	
	1,9 TDI		07.2005	07.2010	11.0230-0663.1	260131	CALIPER MOUNT. BRACKET	1K0 615 125 B	
			07.2005	07.2010	13.0470-2621.2	LD2621	CERAMIC PLAO. FREIN	3C0 698 451 C , 1K0 698 451 K , 1K0 698 451 E , 3C0 698 451 A , 1K0 698 451 B	
	2,0 FSI		07.2005	07.2010	11.0230-0663.1	260131	CALIPER MOUNT. BRACKET	1K0 615 125 B	
			07.2005	07.2010	13.0470-2621.2	LD2621	CERAMIC PLAO. FREIN	3C0 698 451 C , 1K0 698 451 K , 1K0 698 451 E , 3C0 698 451 A , 1K0 698 451 B	
	2,0 FSI 4motion		09.2005	07.2010	11.0230-0663.1	260131	CALIPER MOUNT. BRACKET	1K0 615 125 B	
			09.2005	07.2010	13.0470-2621.2	LD2621	CERAMIC PLAO. FREIN	3C0 698 451 C , 1K0 698 451 K , 1K0 698 451 E , 3C0 698 451 A , 1K0 698 451 B	
	2,0 TDI		07.2005	07.2010	11.0230-0663.1	260131	CALIPER MOUNT. BRACKET	1K0 615 125 B	
			11.2005	07.2010	11.0230-0663.1	260131	CALIPER MOUNT. BRACKET	1K0 615 125 B	
			11.2005	07.2010	13.0470-2621.2	LD2621	CERAMIC PLAO. FREIN	3C0 698 451 C , 1K0 698 451 K , 1K0 698 451 E , 3C0 698 451 A , 1K0 698 451 B	



description

Références OE
par référence
ATE.



Références remplacées /
divers

VOLKSWAGEN

Modèle	Motorisation	ArG	07.2005	07.2010	13.0470-2621.2	LD2621	description	Références OE par référence ATE.	Références remplacées / divers
PASSAT Variant (05-10)	2,0 TDI		07.2005	07.2010	13.0470-2621.2	LD2621	CERAMIC PLAO. FREIN	3C0 698 451 C , 1K0 698 451 K , 1K0 698 451 E , 3C0 698 451 A , 1K0 698 451 B	
	2,0 TDI 16V		08.2005	07.2010	11.0230-0663.1	260131	CALIPER MOUNT. BRACKET	1K0 615 125 B	
			08.2005	07.2010	13.0470-2621.2	LD2621	CERAMIC PLAO. FREIN	3C0 698 451 C , 1K0 698 451 K , 1K0 698 451 E , 3C0 698 451 A , 1K0 698 451 B	
	2,0 TDI 4motion		05.2009	07.2010	11.0230-0663.1	260131	CALIPER MOUNT. BRACKET	1K0 615 125 B	
			09.2005	07.2010	11.0230-0663.1	260131	CALIPER MOUNT. BRACKET	1K0 615 125 B	
			05.2009	07.2010	13.0470-2621.2	LD2621	CERAMIC PLAO. FREIN	3C0 698 451 C , 1K0 698 451 K , 1K0 698 451 E , 3C0 698 451 A , 1K0 698 451 B	
			09.2005	07.2010	13.0470-2621.2	LD2621	CERAMIC PLAO. FREIN	3C0 698 451 C , 1K0 698 451 K , 1K0 698 451 E , 3C0 698 451 A , 1K0 698 451 B	
	2,0 TFSI		07.2005	07.2010	11.0230-0663.1	260131	CALIPER MOUNT. BRACKET	1K0 615 125 B	
			07.2005	07.2010	13.0470-2621.2	LD2621	CERAMIC PLAO. FREIN	3C0 698 451 C , 1K0 698 451 K , 1K0 698 451 E , 3C0 698 451 A , 1K0 698 451 B	
	3,2 V6 FSI 4motion		11.2005	07.2010	11.0230-0663.1	260131	CALIPER MOUNT. BRACKET	1K0 615 125 B	
			11.2005	07.2010	13.0470-2621.2	LD2621	CERAMIC PLAO. FREIN	3C0 698 451 C , 1K0 698 451 K , 1K0 698 451 E , 3C0 698 451 A , 1K0 698 451 B	
	3,6 R36		04.2007	07.2010	11.0230-0663.1	260131	CALIPER MOUNT. BRACKET	1K0 615 125 B	
			04.2007	07.2010	13.0470-2621.2	LD2621	CERAMIC PLAO. FREIN	3C0 698 451 C , 1K0 698 451 K , 1K0 698 451 E , 3C0 698 451 A , 1K0 698 451 B	
POLO IV (02-09)	1,2	ArG	11.2001	05.2009	24.3344-1709.5	240810	ETRIER A GRIFFE	6Q0 615 423 B , 6Q0 615 423 A	24.3344-1709.7



description

Références OE
par référence
ATE.



Références remplacées /
divers

VOLKSWAGEN

POLO IV (02-09)	1,2	ArG	04.2007	05.2009	24.3344-1709.5	240810	ETRIER A GRIFFE	6Q0 615 423 B , 6Q0 615 423 A	24.3344-1709.7
	1,4 16V	ArG	05.2006	05.2009	24.3344-1709.5	240810	ETRIER A GRIFFE	6Q0 615 423 B , 6Q0 615 423 A	24.3344-1709.7
		ArG	11.2001	05.2009	24.3344-1709.5	240810	ETRIER A GRIFFE	6Q0 615 423 B , 6Q0 615 423 A	24.3344-1709.7
	1,4 FSI	ArG	11.2001	05.2009	24.3344-1709.5	240810	ETRIER A GRIFFE	6Q0 615 423 B , 6Q0 615 423 A	24.3344-1709.7
	1,4 TDI	ArG	11.2001	05.2009	24.3344-1709.5	240810	ETRIER A GRIFFE	6Q0 615 423 B , 6Q0 615 423 A	24.3344-1709.7
	1,6 16V	ArG	05.2006	05.2009	24.3344-1709.5	240810	ETRIER A GRIFFE	6Q0 615 423 B , 6Q0 615 423 A	24.3344-1709.7
	1,8 GTI	ArG	06.2006	05.2009	24.3344-1709.5	240810	ETRIER A GRIFFE	6Q0 615 423 B , 6Q0 615 423 A	24.3344-1709.7
		ArG	09.2005	05.2009	24.3344-1709.5	240810	ETRIER A GRIFFE	6Q0 615 423 B , 6Q0 615 423 A	24.3344-1709.7
	1,9 TDI	ArG	10.2003	05.2009	24.3344-1709.5	240810	ETRIER A GRIFFE	6Q0 615 423 B , 6Q0 615 423 A	24.3344-1709.7
		ArG	11.2001	05.2009	24.3344-1709.5	240810	ETRIER A GRIFFE	6Q0 615 423 B , 6Q0 615 423 A	24.3344-1709.7
	2	ArG	04.2002	05.2009	24.3344-1709.5	240810	ETRIER A GRIFFE	6Q0 615 423 B , 6Q0 615 423 A	24.3344-1709.7
TOUAREG I (03-10)	2,5 R5 TDI		01.2003	03.2010	11.0230-0811.1	260137	CALIPER MOUNT. BRACKET	7L6 615 425 , 7L6 615 425 A	
	3,0 V6 TDI		11.2004	03.2010	11.0230-0811.1	260137	CALIPER MOUNT. BRACKET	7L6 615 425 , 7L6 615 425 A	
			10.2007	03.2010	11.0230-0811.1	260137	CALIPER MOUNT. BRACKET	7L6 615 425 , 7L6 615 425 A	
	3,2 V6		11.2002	12.2005	11.0230-0811.1	260137	CALIPER MOUNT. BRACKET	7L6 615 425 , 7L6 615 425 A	
	3,6 V6 FSI		01.2006	03.2010	11.0230-0811.1	260137	CALIPER MOUNT. BRACKET	7L6 615 425 , 7L6 615 425 A	



description

Références OE
par référence
ATE.



Références remplacées /
divers

VOLKSWAGEN

TOUAREG I (03-10)	4,2 V8		12.2002	11.2006	11.0230-0811.1	260137	CALIPER MOUNT. BRACKET	7L6 615 425 , 7L6 615 425 A	
	4,2 V8 FSI		12.2006	03.2010	11.0230-0811.1	260137	CALIPER MOUNT. BRACKET	7L6 615 425 , 7L6 615 425 A	
	5,0 TDI R50		01.2008	03.2010	11.0230-0811.1	260137	CALIPER MOUNT. BRACKET	7L6 615 425 , 7L6 615 425 A	
	5,0 V10 TDI		11.2002	03.2010	11.0230-0811.1	260137	CALIPER MOUNT. BRACKET	7L6 615 425 , 7L6 615 425 A	
	6,0 W12		08.2004	11.2006	11.0230-0811.1	260137	CALIPER MOUNT. BRACKET	7L6 615 425 , 7L6 615 425 A	
TOURAN I (03-15)	1,2 TSI		05.2010	12.2010	24.9145-0001.2	399005	HYDRAULIC CONTROL UNI	1K0 698 517 B	
	1,4 TSI		11.2006	12.2010	24.9145-0001.2	399005	HYDRAULIC CONTROL UNI	1K0 698 517 B	
			09.2006	12.2010	24.9145-0001.2	399005	HYDRAULIC CONTROL UNI	1K0 698 517 B	
	1,4 TSI EcoFuel		05.2009	12.2010	24.9145-0001.2	399005	HYDRAULIC CONTROL UNI	1K0 698 517 B	
	1,6		07.2003	12.2010	24.9145-0001.2	399005	HYDRAULIC CONTROL UNI	1K0 698 517 B	
	1,6 FSI		02.2003	12.2010	24.9145-0001.2	399005	HYDRAULIC CONTROL UNI	1K0 698 517 B	
	1,6 TDI		05.2010	12.2010	24.9145-0001.2	399005	HYDRAULIC CONTROL UNI	1K0 698 517 B	
	1,9 TDI		11.2004	12.2010	24.9145-0001.2	399005	HYDRAULIC CONTROL UNI	1K0 698 517 B	
			08.2003	12.2010	24.9145-0001.2	399005	HYDRAULIC CONTROL UNI	1K0 698 517 B	
			02.2003	12.2010	24.9145-0001.2	399005	HYDRAULIC CONTROL UNI	1K0 698 517 B	
	2,0 Eco Fuel		02.2006	12.2010	24.9145-0001.2	399005	HYDRAULIC CONTROL UNI	1K0 698 517 B	
	2,0 FSI		10.2003	12.2010	24.9145-0001.2	399005	HYDRAULIC CONTROL UNI	1K0 698 517 B	
			10.2004	12.2010	24.9145-0001.2	399005	HYDRAULIC CONTROL UNI	1K0 698 517 B	
	2,0 TDI		02.2003	12.2010	24.9145-0001.2	399005	HYDRAULIC CONTROL UNI	1K0 698 517 B	
			02.2006	12.2010	24.9145-0001.2	399005	HYDRAULIC CONTROL UNI	1K0 698 517 B	
			08.2003	12.2010	24.9145-0001.2	399005	HYDRAULIC CONTROL UNI	1K0 698 517 B	



description

Références OE
par référence
ATE.

i
Références remplacées /
divers

VOLKSWAGEN

TRANSPORTER (T5) BUS / MULTIVAN / KASTEN (03-)	1,9 TDI		04.2003		11.0230-0811.1	260137	CALIPER MOUNT. BRACKET	7L6 615 425 , 7L6 615 425 A	
			06.2006		11.0230-0811.1	260137	CALIPER MOUNT. BRACKET	7L6 615 425 , 7L6 615 425 A	
			01.2006		11.0230-0811.1	260137	CALIPER MOUNT. BRACKET	7L6 615 425 , 7L6 615 425 A	
	2		06.2003		11.0230-0811.1	260137	CALIPER MOUNT. BRACKET	7L6 615 425 , 7L6 615 425 A	
	2,5 TDI		02.2003		11.0230-0811.1	260137	CALIPER MOUNT. BRACKET	7L6 615 425 , 7L6 615 425 A	
	2,5 TDI 4motion		07.2004		11.0230-0811.1	260137	CALIPER MOUNT. BRACKET	7L6 615 425 , 7L6 615 425 A	
	3,2 V6		02.2003		11.0230-0811.1	260137	CALIPER MOUNT. BRACKET	7L6 615 425 , 7L6 615 425 A	
	3,2 V6 4motion		07.2004		11.0230-0811.1	260137	CALIPER MOUNT. BRACKET	7L6 615 425 , 7L6 615 425 A	
TRANSPORTER (T5) PRITSCHKE / FAHRGESTELL (03-)	1,9 TDI		01.2006		11.0230-0811.1	260137	CALIPER MOUNT. BRACKET	7L6 615 425 , 7L6 615 425 A	
			04.2003		11.0230-0811.1	260137	CALIPER MOUNT. BRACKET	7L6 615 425 , 7L6 615 425 A	
			06.2006		11.0230-0811.1	260137	CALIPER MOUNT. BRACKET	7L6 615 425 , 7L6 615 425 A	
	2		06.2003		11.0230-0811.1	260137	CALIPER MOUNT. BRACKET	7L6 615 425 , 7L6 615 425 A	
	2,5 TDI		02.2003		11.0230-0811.1	260137	CALIPER MOUNT. BRACKET	7L6 615 425 , 7L6 615 425 A	
	2,5 TDI 4motion		07.2004		11.0230-0811.1	260137	CALIPER MOUNT. BRACKET	7L6 615 425 , 7L6 615 425 A	
	3,2 V6		08.2003		11.0230-0811.1	260137	CALIPER MOUNT. BRACKET	7L6 615 425 , 7L6 615 425 A	
			02.2004		11.0230-0811.1	260137	CALIPER MOUNT. BRACKET	7L6 615 425 , 7L6 615 425 A	



description

Références OE
par référence
ATE.



Références remplacées /
divers

VOLVO

Modèle	Version	09.2006	12.2012	24.9145-0005.2	399009	description	Références OE par référence ATE.	Références remplacées / divers
C30 Coupe (06-12)	1,6					HYDRAULIC CONTROL UNI	36001319	
	1,6 D					HYDRAULIC CONTROL UNI	36001319	
	1,6 D Efficiency					HYDRAULIC CONTROL UNI	36001319	
	1,6 D2					HYDRAULIC CONTROL UNI	36001319	
	1,8					HYDRAULIC CONTROL UNI	36001319	
	1,8 FlexiFuel					HYDRAULIC CONTROL UNI	36001319	
	2					HYDRAULIC CONTROL UNI	36001319	
	2,0 D					HYDRAULIC CONTROL UNI	36001319	
	2,0 D3					HYDRAULIC CONTROL UNI	36001319	
						HYDRAULIC CONTROL UNI	36001319	
	2,0 D4					HYDRAULIC CONTROL UNI	36001319	
						HYDRAULIC CONTROL UNI	36001319	
	2,4 D5					HYDRAULIC CONTROL UNI	36001319	
						HYDRAULIC CONTROL UNI	36001319	
	2,4 i					HYDRAULIC CONTROL UNI	36001319	
	2,5 T5					HYDRAULIC CONTROL UNI	36001319	
						HYDRAULIC CONTROL UNI	36001319	
	Electric					HYDRAULIC CONTROL UNI	36001319	
C70 II Cabrio (06-13)	2,0 D					HYDRAULIC CONTROL UNI	36001319	
						HYDRAULIC CONTROL UNI	36001319	
	2,0 D3					HYDRAULIC CONTROL UNI	36001319	



description

Références OE
par référence
ATE.



Références remplacées /
divers

VOLVO

Modèle	Version	Date	Date	ATE	ATE	Description	Références OE	Références remplacées / divers	
C70 II Cabrio (06-13)	2,0 D4	10.2010		24.9145-0005.2	399009	HYDRAULIC CONTROL UNI	36001319		
	2,4	03.2006		24.9145-0005.2	399009	HYDRAULIC CONTROL UNI	36001319		
			07.2013	24.9145-0005.2	399009	HYDRAULIC CONTROL UNI	36001319		
	2,4 D	03.2007		24.9145-0005.2	399009	HYDRAULIC CONTROL UNI	36001319		
			07.2013	24.9145-0005.2	399009	HYDRAULIC CONTROL UNI	36001319		
	2,4 D5		07.2013	24.9145-0005.2	399009	HYDRAULIC CONTROL UNI	36001319		
			03.2006		24.9145-0005.2	399009	HYDRAULIC CONTROL UNI	36001319	
	2,4 i	03.2006		24.9145-0005.2	399009	HYDRAULIC CONTROL UNI	36001319		
			07.2013	24.9145-0005.2	399009	HYDRAULIC CONTROL UNI	36001319		
	2,5 T5	03.2006		24.9145-0005.2	399009	HYDRAULIC CONTROL UNI	36001319		
		03.2007		24.9145-0005.2	399009	HYDRAULIC CONTROL UNI	36001319		
		07.2013	24.9145-0005.2	399009	HYDRAULIC CONTROL UNI	36001319			
S40 II (04-12)	1,6 D	01.2005	05.2012	24.9145-0005.2	399009	HYDRAULIC CONTROL UNI	36001319		
		04.2007	05.2012	24.9145-0005.2	399009	HYDRAULIC CONTROL UNI	36001319		
	1,6 i	01.2005	05.2012	24.9145-0005.2	399009	HYDRAULIC CONTROL UNI	36001319		
	1,8	04.2004	05.2012	24.9145-0005.2	399009	HYDRAULIC CONTROL UNI	36001319		
	1,8 FlexiFuel	04.2007	05.2012	24.9145-0005.2	399009	HYDRAULIC CONTROL UNI	36001319		
	2,0 D	01.2004	05.2012	24.9145-0005.2	399009	HYDRAULIC CONTROL UNI	36001319		
	2,0 D4	07.2005	05.2012	24.9145-0005.2	399009	HYDRAULIC CONTROL UNI	36001319		
	2,0 FlexiFuel	10.2006	05.2012	24.9145-0005.2	399009	HYDRAULIC CONTROL UNI	36001319		
2,0 i	10.2006	05.2012	24.9145-0005.2	399009	HYDRAULIC CONTROL UNI	36001319			



description

Références OE
par référence
ATE.



Références remplacées /
divers

VOLVO

Modèle	Version	01.2004	05.2012	24.9145-0005.2	399009	description	Références OE par référence ATE.	Références remplacées / divers
S40 II (04-12)	2,4					HYDRAULIC CONTROL UNI	36001319	
	2,4 4X4	08.2006	05.2012	24.9145-0005.2	399009	HYDRAULIC CONTROL UNI	36001319	
	2,4 D5	03.2006	05.2012	24.9145-0005.2	399009	HYDRAULIC CONTROL UNI	36001319	
	2,5 T5	01.2004	05.2012	24.9145-0005.2	399009	HYDRAULIC CONTROL UNI	36001319	
		03.2007	05.2012	24.9145-0005.2	399009	HYDRAULIC CONTROL UNI	36001319	
V40 (12-)	D2	09.2012		03.2125-5016.3	011010	TANDEM MASTER CYLINDE	36002135	
	D3	09.2012		03.2125-5016.3	011010	TANDEM MASTER CYLINDE	36002135	
	D4	09.2012		03.2125-5016.3	011010	TANDEM MASTER CYLINDE	36002135	
	T3 GTDi	09.2012		03.2125-5016.3	011010	TANDEM MASTER CYLINDE	36002135	
	T4	04.2013		03.2125-5016.3	011010	TANDEM MASTER CYLINDE	36002135	
		04.2014		03.2125-5016.3	011010	TANDEM MASTER CYLINDE	36002135	
	T4 GTDi	09.2012		03.2125-5016.3	011010	TANDEM MASTER CYLINDE	36002135	
V50 (04-12)	1,6 D		05.2012	24.9145-0005.2	399009	HYDRAULIC CONTROL UNI	36001319	
		01.2005		24.9145-0005.2	399009	HYDRAULIC CONTROL UNI	36001319	
		01.2005	05.2012	24.9145-0005.2	399009	HYDRAULIC CONTROL UNI	36001319	
		04.2007		24.9145-0005.2	399009	HYDRAULIC CONTROL UNI	36001319	
		04.2007	05.2012	24.9145-0005.2	399009	HYDRAULIC CONTROL UNI	36001319	
	1,6 D2	01.2010		24.9145-0005.2	399009	HYDRAULIC CONTROL UNI	36001319	
			05.2012	24.9145-0005.2	399009	HYDRAULIC CONTROL UNI	36001319	
		01.2010	05.2012	24.9145-0005.2	399009	HYDRAULIC CONTROL UNI	36001319	
	1,6 i	01.2005		24.9145-0005.2	399009	HYDRAULIC CONTROL UNI	36001319	



description

Références OE
par référence
ATE.

i
Références remplacées /
divers

VOLVO

V50 (04-12)	1,6 i			05.2012	24.9145-0005.2	399009	HYDRAULIC CONTROL UNI	36001319	
			01.2005	05.2012	24.9145-0005.2	399009	HYDRAULIC CONTROL UNI	36001319	
	1,8		04.2004	05.2012	24.9145-0005.2	399009	HYDRAULIC CONTROL UNI	36001319	
				05.2012	24.9145-0005.2	399009	HYDRAULIC CONTROL UNI	36001319	
			04.2004		24.9145-0005.2	399009	HYDRAULIC CONTROL UNI	36001319	
	1,8 FlexiFuel		04.2007		24.9145-0005.2	399009	HYDRAULIC CONTROL UNI	36001319	
				05.2012	24.9145-0005.2	399009	HYDRAULIC CONTROL UNI	36001319	
			04.2007	05.2012	24.9145-0005.2	399009	HYDRAULIC CONTROL UNI	36001319	
	2,0 D		04.2004	05.2012	24.9145-0005.2	399009	HYDRAULIC CONTROL UNI	36001319	
			04.2004		24.9145-0005.2	399009	HYDRAULIC CONTROL UNI	36001319	
				05.2012	24.9145-0005.2	399009	HYDRAULIC CONTROL UNI	36001319	
	2,0 D3		10.2010	05.2012	24.9145-0005.2	399009	HYDRAULIC CONTROL UNI	36001319	
			10.2010		24.9145-0005.2	399009	HYDRAULIC CONTROL UNI	36001319	
				05.2012	24.9145-0005.2	399009	HYDRAULIC CONTROL UNI	36001319	
	2,0 D4		10.2010		24.9145-0005.2	399009	HYDRAULIC CONTROL UNI	36001319	
				05.2012	24.9145-0005.2	399009	HYDRAULIC CONTROL UNI	36001319	
			10.2010	05.2012	24.9145-0005.2	399009	HYDRAULIC CONTROL UNI	36001319	
	2,0 FlexiFuel		01.2010	05.2012	24.9145-0005.2	399009	HYDRAULIC CONTROL UNI	36001319	
			01.2010		24.9145-0005.2	399009	HYDRAULIC CONTROL UNI	36001319	
				05.2012	24.9145-0005.2	399009	HYDRAULIC CONTROL UNI	36001319	
	2,0 i		10.2006		24.9145-0005.2	399009	HYDRAULIC CONTROL UNI	36001319	



description

Références OE
par référence
ATE.



Références remplacées /
divers

VOLVO

V50 (04-12)	2,0 i			05.2012	24.9145-0005.2	399009	HYDRAULIC CONTROL UNI	36001319	
			10.2006	05.2012	24.9145-0005.2	399009	HYDRAULIC CONTROL UNI	36001319	
	2,4		04.2004		24.9145-0005.2	399009	HYDRAULIC CONTROL UNI	36001319	
				05.2012	24.9145-0005.2	399009	HYDRAULIC CONTROL UNI	36001319	
			04.2004	05.2012	24.9145-0005.2	399009	HYDRAULIC CONTROL UNI	36001319	
	2,4 AWD		08.2006		24.9145-0005.2	399009	HYDRAULIC CONTROL UNI	36001319	
				05.2012	24.9145-0005.2	399009	HYDRAULIC CONTROL UNI	36001319	
			08.2006	05.2012	24.9145-0005.2	399009	HYDRAULIC CONTROL UNI	36001319	
	2,4 D5		03.2006	05.2012	24.9145-0005.2	399009	HYDRAULIC CONTROL UNI	36001319	
				05.2012	24.9145-0005.2	399009	HYDRAULIC CONTROL UNI	36001319	
			03.2006		24.9145-0005.2	399009	HYDRAULIC CONTROL UNI	36001319	
	2,4 Tdi		05.2007	05.2012	24.9145-0005.2	399009	HYDRAULIC CONTROL UNI	36001319	
			05.2007		24.9145-0005.2	399009	HYDRAULIC CONTROL UNI	36001319	
				05.2012	24.9145-0005.2	399009	HYDRAULIC CONTROL UNI	36001319	
	2,5 T5		04.2004		24.9145-0005.2	399009	HYDRAULIC CONTROL UNI	36001319	
			04.2004	05.2012	24.9145-0005.2	399009	HYDRAULIC CONTROL UNI	36001319	
				05.2012	24.9145-0005.2	399009	HYDRAULIC CONTROL UNI	36001319	
			03.2007		24.9145-0005.2	399009	HYDRAULIC CONTROL UNI	36001319	
			03.2007	05.2012	24.9145-0005.2	399009	HYDRAULIC CONTROL UNI	36001319	
	2,5 T5 AWD		04.2004	05.2012	24.9145-0005.2	399009	HYDRAULIC CONTROL UNI	36001319	
			03.2007		24.9145-0005.2	399009	HYDRAULIC CONTROL UNI	36001319	



description

Références OE
par référence
ATE.



Références remplacées /
divers

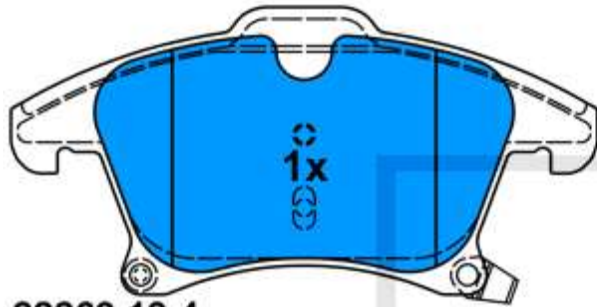
VOLVO

V50 (04-12)	2,5 T5 AWD		04.2004		24.9145-0005.2	399009	HYDRAULIC CONTROL UNI	36001319	
				05.2012	24.9145-0005.2	399009	HYDRAULIC CONTROL UNI	36001319	
			03.2007	05.2012	24.9145-0005.2	399009	HYDRAULIC CONTROL UNI	36001319	
XC90 (14-)	2,0 D5 AWD		09.2014		24.0120-0247.1	420247	DISQUE DE FREIN	31400779	
	2,0 T5 AWD		06.2015		24.0120-0247.1	420247	DISQUE DE FREIN	31400779	
	2,0 T6 AWD		09.2014		24.0120-0247.1	420247	DISQUE DE FREIN	31400779	
	2,0 T8 Hybrid		09.2014		24.0120-0247.1	420247	DISQUE DE FREIN	31400779	
	D5 AWD		09.2014		24.0120-0247.1	420247	DISQUE DE FREIN	31400779	

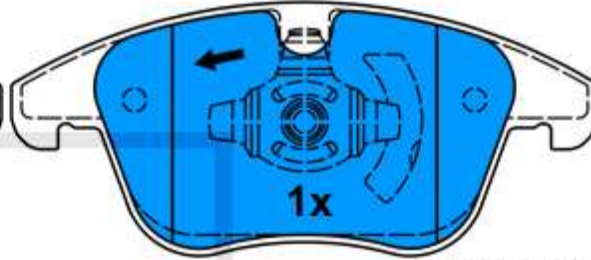
13.0460-7313.2 607313

Applications:

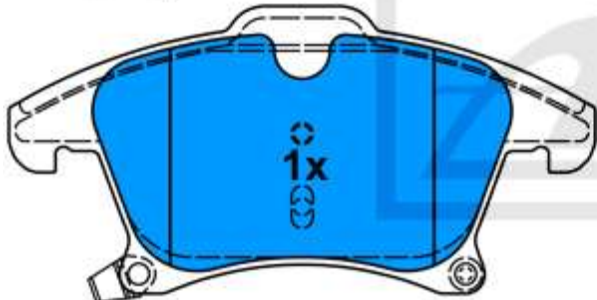
FORD GALAXY III (15-)
FORD MONDEO V (14-)
FORD S-MAX II (15-)



22269 19,4

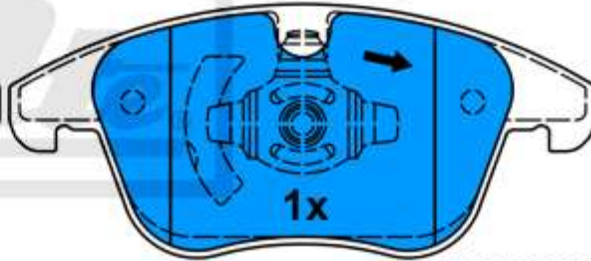


25592 20,3



22270 19,4

155,7 x 76,0



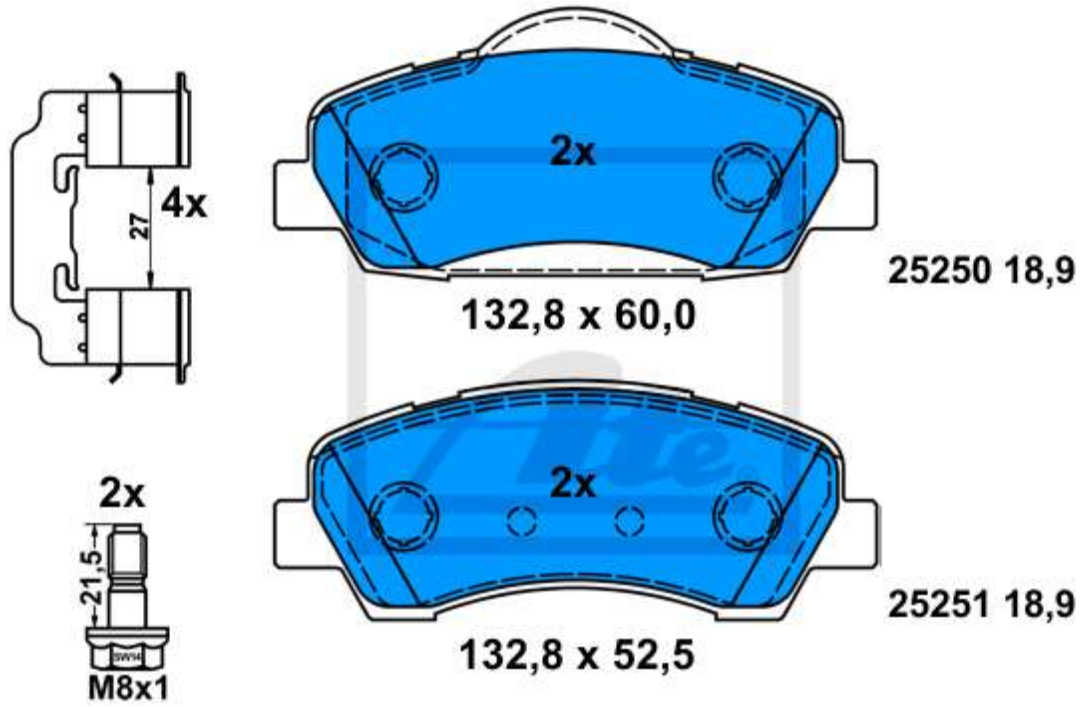
25593 20,3

155,1 x 66,7

13.0460-3869.2 603869

Applications:

PEUGEOT 308 II (T9) (13-)
PEUGEOT 308 II SW (T9) (14-)



13.0460-7291.2 607291

Applications:

HONDA ACCORD VIII Kombi (08-15)
HONDA ACCORD VIII Limousine (08-15)

