

New partnumbers on stock  
according to ATE pn.



12/2009



[www.ate.de](http://www.ate.de)



					OE numbers per ATE pn.		e.g. replaced pn. / miscellaneous
--	--	--	--	--	------------------------	--	-----------------------------------



## HBZ - Master cylinder

03.2120-4468.3	<b>010789</b>	RENAULT	CLIO II Van (SB_) (98-05)	1,9 dTi		02.2000	06.2005	77 01 206 898	
		RENAULT	CLIO II Van (SB_) (98-05)	1,2		09.1998	06.2005	77 01 206 898	
		RENAULT	CLIO II Van (SB_) (98-05)			03.1999	10.2003	77 01 206 898	
		RENAULT	CLIO II Van (SB_) (98-05)	1,5 dCi		06.2001	06.2005	77 01 206 898	
		RENAULT	CLIO II Van (SB_) (98-05)			11.2003	09.2005	77 01 206 898	
		RENAULT	CLIO II Van (SB_) (98-05)			06.2001	10.2004	77 01 206 898	
		RENAULT	CLIO II Van (SB_) (98-05)	1,9 D		03.1999	01.2000	77 01 206 898	
		RENAULT	CLIO II Van (SB_) (98-05)			09.1998	06.2005	77 01 206 898	
		RENAULT	CLIO II Saloon (BB_/CB_) (98-05)	1,5 dCi		01.2004	06.2005	77 01 206 898	
		RENAULT	CLIO II Saloon (BB_/CB_) (98-05)			06.2001	06.2005	77 01 206 898	
		RENAULT	CLIO II Saloon (BB_/CB_) (98-05)			06.2001	10.2003	77 01 206 898	
		RENAULT	CLIO II Saloon (BB_/CB_) (98-05)	1,6		09.1998	06.2005	77 01 206 898	
		RENAULT	CLIO II Saloon (BB_/CB_) (98-05)	1,6 16V		09.1998	06.2005	77 01 206 898	
		RENAULT	CLIO II Saloon (BB_/CB_) (98-05)	1,9 D (BB/CB0E)		09.1998	06.2005	77 01 206 898	
		RENAULT	CLIO II Saloon (BB_/CB_) (98-05)	1,4 16V		10.1999	07.2000	77 01 206 898	
		RENAULT	CLIO II Saloon (BB_/CB_) (98-05)	1,9 dTi (BB0U)		02.2000	06.2005	77 01 206 898	
		RENAULT	CLIO II Saloon (BB_/CB_) (98-05)	1,2 (BB/CB10)		09.1998	06.2005	77 01 206 898	
		RENAULT	CLIO II Saloon (BB_/CB_) (98-05)	1,9 D (BB/CB0J)		09.1998	06.2005	77 01 206 898	



					OE numbers per ATE pn.		e.g. replaced pn. / miscellaneous
--	--	--	--	--	------------------------	--	-----------------------------------



## HBZ - Master cylinder

03.2120-4468.3	<b>010789</b>	RENAULT	CLIO II Saloon (BB_/CB_) (98-05)	1,4		09.1998	06.2005	77 01 206 898	
		RENAULT	CLIO II Saloon (BB_/CB_) (98-05)	1,2 16V		06.2001	06.2005	77 01 206 898	
		RENAULT	CLIO II Saloon (BB_/CB_) (98-05)	1,2 (BB/CB2H)		09.1998	06.2005	77 01 206 898	
		RENAULT	CLIO II Saloon (BB_/CB_) (98-05)	1,9 dTi (CB0U)		02.2000	06.2005	77 01 206 898	
		RENAULT	CLIO II Saloon (BB_/CB_) (98-05)	1,2 (BB/CB1K)		09.1998	06.2005	77 01 206 898	
		RENAULT	CLIO II Saloon (BB_/CB_) (98-05)	1,5 D		08.2004	06.2005	77 01 206 898	
		RENAULT	CLIO II Saloon (BB_/CB_) (98-05)	1,2 (BB/CB0F)		09.1998	06.2005	77 01 206 898	
		RENAULT	CLIO II Saloon (BB_/CB_) (98-05)	1,2 (BB/CB0A)		09.1998	06.2005	77 01 206 898	
		RENAULT	CLIO II Saloon (BB_/CB_) (98-05)	1,2		03.1999	05.2001	77 01 206 898	
		RENAULT	CLIO II Saloon (BB_/CB_) (98-05)	1		02.2000	05.2001	77 01 206 898	
		RENAULT	CLIO II Saloon (BB_/CB_) (98-05)	1,2 (BB/CB2D)		09.1998	06.2005	77 01 206 898	
		RENAULT	CLIO II Saloon (BB_/CB_) (98-05)	1,4 16V		08.2000	06.2005	77 01 206 898	
03.4153-0173.3	<b>010815</b>	PEUGEOT	3008 (09-)	2,0 HDi		06.2009		4601 T1	
		PEUGEOT	3008 (09-)	1,6 VTi		06.2009		4601 T1	
		PEUGEOT	3008 (09-)	1,6 THP		06.2009		4601 T1	
		PEUGEOT	3008 (09-)	1,6 HDi		06.2009		4601 T1	
		PEUGEOT	5008 (09-)	2,0 HDi		09.2009		4601 T1	
		PEUGEOT	5008 (09-)	1,6 HDi		09.2009		4601 T1	



					OE numbers per ATE pn.	 e.g. replaced pn. / miscellaneous
---	---	---	---	---	------------------------	---



## HBZ - Master cylinder

03.4153-0173.3	010815	PEUGEOT	5008 (09-)	1,6 16V	09.2009	4601 T1
		CITROEN	C4 Grand Picasso (06-)	2,0 HDi 135	10.2006	4601 T1
		CITROEN	C4 Grand Picasso (06-)	2,0 HDi	07.2009	4601 T1
		CITROEN	C4 Grand Picasso (06-)	1,6 THP 140	07.2008	4601 T1
		CITROEN	C4 Grand Picasso (06-)	1,6 THP 150	10.2008	4601 T1
		CITROEN	C4 Grand Picasso (06-)	1,6 VTi 120	07.2008	4601 T1
		CITROEN	C4 Grand Picasso (06-)	1,8 16V	10.2006	4601 T1
		CITROEN	C4 Grand Picasso (06-)	2,0 16V	10.2006	4601 T1
		CITROEN	C4 Grand Picasso (06-)	1,6 HDi 110	10.2006	4601 T1
		CITROEN	C4 Picasso (07-)	2,0 i 16V	02.2007	4601 T1
		CITROEN	C4 Picasso (07-)	1,6 THP 150	10.2008	4601 T1
		CITROEN	C4 Picasso (07-)	1,6 VTi	07.2008	4601 T1
		CITROEN	C4 Picasso (07-)	1,6 VTi 120	07.2008	4601 T1
		CITROEN	C4 Picasso (07-)	1,8 i 16V	02.2007	4601 T1
		CITROEN	C4 Picasso (07-)	2,0 HDi	02.2007	4601 T1
		CITROEN	C4 Picasso (07-)		07.2009	4601 T1
		CITROEN	C4 Picasso (07-)	1,6 THP 140	07.2008	4601 T1
		CITROEN	C4 Picasso (07-)	1,6 HDi	02.2007	4601 T1



					OE numbers per ATE pn.		e.g. replaced pn. / miscellaneous
--	--	--	--	--	------------------------	--	-----------------------------------



## HBZ - Master cylinder

24.4120-1701.3	<b>010846</b>	PEUGEOT	107 (05-)	1,4 HDi		06.2005		4601 R3 , 47025-09010	
		PEUGEOT	107 (05-)	1		06.2005		4601 R3 , 47025-09010	
		TOYOTA	AYGO (05-)	1,4 Hdi		09.2005		4601 R3 , 47025-09010	
		TOYOTA	AYGO (05-)	1,0 i 12V		07.2005		4601 R3 , 47025-09010	
		CITROEN	C1 (05-)	1,4 HDi		06.2005	12.2008	4601 R3 , 47025-09010	
		CITROEN	C1 (05-)	1		06.2005		4601 R3 , 47025-09010	



## SAH - Caliper rear

24.3401-1703.5	<b>240351</b>	BMW	3 series/E46 (98-06)	318 d Touring	RL	03.2002	07.2005	34 21 1 165 033 , 34 21 6 758 135 , SOB000050 , GBC90216	11.9401-9937.2
		BMW	3 series/E46 (98-06)	316 i 1,9	RL	12.1998	02.2005	34 21 1 165 033 , 34 21 6 758 135 , SOB000050 , GBC90216	11.9401-9937.2
		BMW	3 series/E46 (98-06)	316 i Touring	RL	03.2002	07.2005	34 21 1 165 033 , 34 21 6 758 135 , SOB000050 , GBC90216	11.9401-9937.2
		BMW	3 series/E46 (98-06)	318 Ci Cabrio	RL	02.2005	12.2006	34 21 1 165 033 , 34 21 6 758 135 , SOB000050 , GBC90216	11.9401-9937.2
		BMW	3 series/E46 (98-06)		RL	09.2001	12.2006	34 21 1 165 033 , 34 21 6 758 135 , SOB000050 , GBC90216	11.9401-9937.2



					OE numbers per ATE pn.		e.g. replaced pn. / miscellaneous
--	--	--	--	--	------------------------	--	-----------------------------------



## SAH - Caliper rear

24.3401-1703.5	240351	BMW	3 series/E46 (98-06)	318 i	RL	04.1998	02.2005	34 21 1 165 033 , 34 21 6 758 135 , SOB000050 , GBC90216	11.9401-9937.2
		BMW	3 series/E46 (98-06)	325 Ci Cabrio	RL	10.2000	12.2006	34 21 1 165 033 , 34 21 6 758 135 , SOB000050 , GBC90216	11.9401-9937.2
		BMW	3 series/E46 (98-06)	325 xi	RL	10.2000	02.2005	34 21 1 165 033 , 34 21 6 758 135 , SOB000050 , GBC90216	11.9401-9937.2
		BMW	3 series/E46 (98-06)	325 xi Touring	RL	10.2000	07.2005	34 21 1 165 033 , 34 21 6 758 135 , SOB000050 , GBC90216	11.9401-9937.2
		BMW	3 series/E46 (98-06)	328 Ci Coupe	RL	04.1999	06.2000	34 21 1 165 033 , 34 21 6 758 135 , SOB000050 , GBC90216	11.9401-9937.2
		BMW	3 series/E46 (98-06)	328 i	RL	04.1998	06.2000	34 21 1 165 033 , 34 21 6 758 135 , SOB000050 , GBC90216	11.9401-9937.2
		BMW	3 series/E46 (98-06)	328 i Touring	RL	10.1999	06.2000	34 21 1 165 033 , 34 21 6 758 135 , SOB000050 , GBC90216	11.9401-9937.2
		BMW	3 series/E46 (98-06)	325 i Touring	RL	10.2000	07.2005	34 21 1 165 033 , 34 21 6 758 135 , SOB000050 , GBC90216	11.9401-9937.2
		BMW	3 series/E46 (98-06)	318 d	RL	09.2001	02.2005	34 21 1 165 033 , 34 21 6 758 135 , SOB000050 , GBC90216	11.9401-9937.2



					OE numbers per ATE pn.		e.g. replaced pn. / miscellaneous
--	--	--	--	--	------------------------	--	-----------------------------------



## SAH - Caliper rear

24.3401-1703.5	240351	BMW	3 series/E46 (98-06)	325 Ci Coupe	RL	10.2000	08.2006	34 21 1 165 033 , 34 21 6 758 135 , SOB000050 , GBC90216	11.9401-9937.2
		BMW	3 series/E46 (98-06)	325 ti Compact	RL	07.2001	02.2005	34 21 1 165 033 , 34 21 6 758 135 , SOB000050 , GBC90216	11.9401-9937.2
		BMW	3 series/E46 (98-06)	323 i	RL	04.1998	08.2000	34 21 1 165 033 , 34 21 6 758 135 , SOB000050 , GBC90216	11.9401-9937.2
		BMW	3 series/E46 (98-06)	323 Ci Coupe	RL	04.1999	08.2000	34 21 1 165 033 , 34 21 6 758 135 , SOB000050 , GBC90216	11.9401-9937.2
		BMW	3 series/E46 (98-06)	323 Ci Cabrio	RL	05.2000	08.2000	34 21 1 165 033 , 34 21 6 758 135 , SOB000050 , GBC90216	11.9401-9937.2
		BMW	3 series/E46 (98-06)	320 td Compact	RL	09.2001	02.2005	34 21 1 165 033 , 34 21 6 758 135 , SOB000050 , GBC90216	11.9401-9937.2
		BMW	3 series/E46 (98-06)	320 Cd Coupe	RL	11.2003	08.2006	34 21 1 165 033 , 34 21 6 758 135 , SOB000050 , GBC90216	11.9401-9937.2
		BMW	3 series/E46 (98-06)	318 i Coupe	RL	08.1999	08.2006	34 21 1 165 033 , 34 21 6 758 135 , SOB000050 , GBC90216	11.9401-9937.2
		BMW	3 series/E46 (98-06)	320 i	RL	04.1998	02.2005	34 21 1 165 033 , 34 21 6 758 135 , SOB000050 , GBC90216	11.9401-9937.2



					OE numbers per ATE pn.		e.g. replaced pn. / miscellaneous
--	--	--	--	--	------------------------	--	-----------------------------------



## SAH - Caliper rear

24.3401-1703.5	240351	BMW	3 series/E46 (98-06)	320 d Touring	RL	03.2000	07.2005	34 21 1 165 033 , 34 21 6 758 135 , SOB000050 , GBC90216	11.9401-9937.2
		BMW	3 series/E46 (98-06)	320 d	RL	04.1998	08.2001	34 21 1 165 033 , 34 21 6 758 135 , SOB000050 , GBC90216	11.9401-9937.2
		BMW	3 series/E46 (98-06)		RL	09.2001	02.2005	34 21 1 165 033 , 34 21 6 758 135 , SOB000050 , GBC90216	11.9401-9937.2
		BMW	3 series/E46 (98-06)	320 Ci Coupe	RL	06.1999	08.2006	34 21 1 165 033 , 34 21 6 758 135 , SOB000050 , GBC90216	11.9401-9937.2
		BMW	3 series/E46 (98-06)	320 Ci Cabrio	RL	10.2000	12.2006	34 21 1 165 033 , 34 21 6 758 135 , SOB000050 , GBC90216	11.9401-9937.2
		BMW	3 series/E46 (98-06)	320 Cd Cabrio	RL	02.2005	12.2006	34 21 1 165 033 , 34 21 6 758 135 , SOB000050 , GBC90216	11.9401-9937.2
		BMW	3 series/E46 (98-06)	318 ti Compact	RL	09.2001	02.2005	34 21 1 165 033 , 34 21 6 758 135 , SOB000050 , GBC90216	11.9401-9937.2
		BMW	3 series/E46 (98-06)	318 td Compact	RL	03.2003	02.2005	34 21 1 165 033 , 34 21 6 758 135 , SOB000050 , GBC90216	11.9401-9937.2
		BMW	3 series/E46 (98-06)	325 i	RL	10.2000	02.2005	34 21 1 165 033 , 34 21 6 758 135 , SOB000050 , GBC90216	11.9401-9937.2





					OE numbers per ATE pn.		e.g. replaced pn. / miscellaneous
--	--	--	--	--	------------------------	--	-----------------------------------



## SAH - Caliper rear

24.3401-1703.5	240351	BMW	3 series/E46 (98-06)	320 i Touring	RL	10.1999	07.2005	34 21 1 165 033 , 34 21 6 758 135 , SOB000050 , GBC90216	11.9401-9937.2
		BMW	3 series/E46 (98-06)	318 i Touring	RL	10.1999	07.2005	34 21 1 165 033 , 34 21 6 758 135 , SOB000050 , GBC90216	11.9401-9937.2
		ROVER	75 series (RX) (04-)	2,0 CDTI	RL	04.2004		34 21 1 165 033 , 34 21 6 758 135 , SOB000050 , GBC90216	11.9401-9937.2
		ROVER	75 series (RX) (04-)	1,8	RL	04.2004		34 21 1 165 033 , 34 21 6 758 135 , SOB000050 , GBC90216	11.9401-9937.2
		ROVER	75 series (RX) (04-)	2,5 V6	RL	04.2004		34 21 1 165 033 , 34 21 6 758 135 , SOB000050 , GBC90216	11.9401-9937.2
		ROVER	75 series (RX) (04-)	1,8 Turbo	RL	04.2004		34 21 1 165 033 , 34 21 6 758 135 , SOB000050 , GBC90216	11.9401-9937.2
		BMW	Z4 Coupe/E86 (06-)	3,0 si	RL	03.2006		34 21 1 165 033 , 34 21 6 758 135 , SOB000050 , GBC90216	11.9401-9937.2
		BMW	Z4 Roadster/E85 (03-08)	2,5 si	RL	01.2006	12.2008	34 21 1 165 033 , 34 21 6 758 135 , SOB000050 , GBC90216	11.9401-9937.2
		BMW	Z4 Roadster/E85 (03-08)	3,0 si	RL	01.2006	12.2008	34 21 1 165 033 , 34 21 6 758 135 , SOB000050 , GBC90216	11.9401-9937.2



					OE numbers per ATE pn.		e.g. replaced pn. / miscellaneous
--	--	--	--	--	------------------------	--	-----------------------------------



## SAH - Caliper rear

24.3401-1703.5	<b>240351</b>	BMW	Z4 Roadster/E85 (03-08)	3,0 i	RL	12.2002	12.2008	34 21 1 165 033 , 34 21 6 758 135 , SOB000050 , GBC90216	11.9401-9937.2
		MG	ZT Limousine (01-05)	2,5 V6	RL	06.2001	12.2005	34 21 1 165 033 , 34 21 6 758 135 , SOB000050 , GBC90216	11.9401-9937.2
		MG	ZT Limousine (01-05)	2,0 CDTi	RL	11.2002	12.2005	34 21 1 165 033 , 34 21 6 758 135 , SOB000050 , GBC90216	11.9401-9937.2
		MG	ZT-T Kombi (01-05)		RL	11.2002	12.2005	34 21 1 165 033 , 34 21 6 758 135 , SOB000050 , GBC90216	11.9401-9937.2
		MG	ZT-T Kombi (01-05)	2,5 V6	RL	10.2001	12.2005	34 21 1 165 033 , 34 21 6 758 135 , SOB000050 , GBC90216	11.9401-9937.2
24.3401-1704.5	<b>240352</b>	BMW	3 series/E46 (98-06)	318 i Coupe	RR	08.1999	08.2006	34 21 1 165 034 , 34 21 6 758 136 , SOB000040 , GBC90217	11.9401-9938.2
		BMW	3 series/E46 (98-06)	328 i Touring	RR	10.1999	06.2000	34 21 1 165 034 , 34 21 6 758 136 , SOB000040 , GBC90217	11.9401-9938.2
		BMW	3 series/E46 (98-06)	320 d	RR	09.2001	02.2005	34 21 1 165 034 , 34 21 6 758 136 , SOB000040 , GBC90217	11.9401-9938.2
		BMW	3 series/E46 (98-06)	320 Ci Coupe	RR	06.1999	08.2006	34 21 1 165 034 , 34 21 6 758 136 , SOB000040 , GBC90217	11.9401-9938.2



					OE numbers per ATE pn.		e.g. replaced pn. / miscellaneous
--	--	--	--	--	------------------------	--	-----------------------------------



## SAH - Caliper rear

24.3401-1704.5	240352	BMW	3 series/E46 (98-06)	320 Ci Cabrio	RR	10.2000	12.2006	34 21 1 165 034 , 34 21 6 758 136 , SOB000040 , GBC90217	11.9401-9938.2
		BMW	3 series/E46 (98-06)	320 Cd Coupe	RR	11.2003	08.2006	34 21 1 165 034 , 34 21 6 758 136 , SOB000040 , GBC90217	11.9401-9938.2
		BMW	3 series/E46 (98-06)	320 Cd Cabrio	RR	02.2005	12.2006	34 21 1 165 034 , 34 21 6 758 136 , SOB000040 , GBC90217	11.9401-9938.2
		BMW	3 series/E46 (98-06)	318 ti Compact	RR	09.2001	02.2005	34 21 1 165 034 , 34 21 6 758 136 , SOB000040 , GBC90217	11.9401-9938.2
		BMW	3 series/E46 (98-06)	320 d Touring	RR	03.2000	07.2005	34 21 1 165 034 , 34 21 6 758 136 , SOB000040 , GBC90217	11.9401-9938.2
		BMW	3 series/E46 (98-06)	318 i Touring	RR	10.1999	07.2005	34 21 1 165 034 , 34 21 6 758 136 , SOB000040 , GBC90217	11.9401-9938.2
		BMW	3 series/E46 (98-06)	320 i	RR	04.1998	02.2005	34 21 1 165 034 , 34 21 6 758 136 , SOB000040 , GBC90217	11.9401-9938.2
		BMW	3 series/E46 (98-06)	318 i	RR	04.1998	02.2005	34 21 1 165 034 , 34 21 6 758 136 , SOB000040 , GBC90217	11.9401-9938.2
		BMW	3 series/E46 (98-06)	318 d Touring	RR	03.2002	07.2005	34 21 1 165 034 , 34 21 6 758 136 , SOB000040 , GBC90217	11.9401-9938.2



					OE numbers per ATE pn.		e.g. replaced pn. / miscellaneous
--	--	--	--	--	------------------------	--	-----------------------------------



## SAH - Caliper rear

24.3401-1704.5	240352	BMW	3 series/E46 (98-06)	318 d	RR	09.2001	02.2005	34 21 1 165 034 , 34 21 6 758 136 , SOB000040 , GBC90217	11.9401-9938.2
		BMW	3 series/E46 (98-06)	318 Ci Cabrio	RR	09.2001	12.2006	34 21 1 165 034 , 34 21 6 758 136 , SOB000040 , GBC90217	11.9401-9938.2
		BMW	3 series/E46 (98-06)		RR	02.2005	12.2006	34 21 1 165 034 , 34 21 6 758 136 , SOB000040 , GBC90217	11.9401-9938.2
		BMW	3 series/E46 (98-06)	316 i Touring	RR	03.2002	07.2005	34 21 1 165 034 , 34 21 6 758 136 , SOB000040 , GBC90217	11.9401-9938.2
		BMW	3 series/E46 (98-06)	316 i 1,9	RR	12.1998	02.2005	34 21 1 165 034 , 34 21 6 758 136 , SOB000040 , GBC90217	11.9401-9938.2
		BMW	3 series/E46 (98-06)	318 td Compact	RR	03.2003	02.2005	34 21 1 165 034 , 34 21 6 758 136 , SOB000040 , GBC90217	11.9401-9938.2
		BMW	3 series/E46 (98-06)	325 i Touring	RR	10.2000	07.2005	34 21 1 165 034 , 34 21 6 758 136 , SOB000040 , GBC90217	11.9401-9938.2
		BMW	3 series/E46 (98-06)	328 i	RR	04.1998	06.2000	34 21 1 165 034 , 34 21 6 758 136 , SOB000040 , GBC90217	11.9401-9938.2
		BMW	3 series/E46 (98-06)	328 Ci Coupe	RR	04.1999	06.2000	34 21 1 165 034 , 34 21 6 758 136 , SOB000040 , GBC90217	11.9401-9938.2



					OE numbers per ATE pn.		e.g. replaced pn. / miscellaneous
--	--	--	--	--	------------------------	--	-----------------------------------



## SAH - Caliper rear

24.3401-1704.5	240352	BMW	3 series/E46 (98-06)	325 xi Touring	RR	10.2000	07.2005	34 21 1 165 034 , 34 21 6 758 136 , SOB000040 , GBC90217	11.9401-9938.2
		BMW	3 series/E46 (98-06)	320 d	RR	04.1998	08.2001	34 21 1 165 034 , 34 21 6 758 136 , SOB000040 , GBC90217	11.9401-9938.2
		BMW	3 series/E46 (98-06)	325 ti Compact	RR	07.2001	02.2005	34 21 1 165 034 , 34 21 6 758 136 , SOB000040 , GBC90217	11.9401-9938.2
		BMW	3 series/E46 (98-06)	325 i	RR	10.2000	02.2005	34 21 1 165 034 , 34 21 6 758 136 , SOB000040 , GBC90217	11.9401-9938.2
		BMW	3 series/E46 (98-06)	325 Ci Coupe	RR	10.2000	08.2006	34 21 1 165 034 , 34 21 6 758 136 , SOB000040 , GBC90217	11.9401-9938.2
		BMW	3 series/E46 (98-06)	325 Ci Cabrio	RR	10.2000	12.2006	34 21 1 165 034 , 34 21 6 758 136 , SOB000040 , GBC90217	11.9401-9938.2
		BMW	3 series/E46 (98-06)	323 i	RR	04.1998	08.2000	34 21 1 165 034 , 34 21 6 758 136 , SOB000040 , GBC90217	11.9401-9938.2
		BMW	3 series/E46 (98-06)	323 Ci Coupe	RR	04.1999	08.2000	34 21 1 165 034 , 34 21 6 758 136 , SOB000040 , GBC90217	11.9401-9938.2
		BMW	3 series/E46 (98-06)	323 Ci Cabrio	RR	05.2000	08.2000	34 21 1 165 034 , 34 21 6 758 136 , SOB000040 , GBC90217	11.9401-9938.2



					OE numbers per ATE pn.		e.g. replaced pn. / miscellaneous
--	--	--	--	--	------------------------	--	-----------------------------------



## SAH - Caliper rear

24.3401-1704.5	240352	BMW	3 series/E46 (98-06)	320 td Compact	RR	09.2001	02.2005	34 21 1 165 034 , 34 21 6 758 136 , SOB000040 , GBC90217	11.9401-9938.2
		BMW	3 series/E46 (98-06)	320 i Touring	RR	10.1999	07.2005	34 21 1 165 034 , 34 21 6 758 136 , SOB000040 , GBC90217	11.9401-9938.2
		BMW	3 series/E46 (98-06)	325 xi	RR	10.2000	02.2005	34 21 1 165 034 , 34 21 6 758 136 , SOB000040 , GBC90217	11.9401-9938.2
		ROVER	75 series (RX) (04-)	2,5 V6	RR	04.2004		34 21 1 165 034 , 34 21 6 758 136 , SOB000040 , GBC90217	11.9401-9938.2
		ROVER	75 series (RX) (04-)	1,8 Turbo	RR	04.2004		34 21 1 165 034 , 34 21 6 758 136 , SOB000040 , GBC90217	11.9401-9938.2
		ROVER	75 series (RX) (04-)	2,0 CDTI	RR	04.2004		34 21 1 165 034 , 34 21 6 758 136 , SOB000040 , GBC90217	11.9401-9938.2
		ROVER	75 series (RX) (04-)	1,8	RR	04.2004		34 21 1 165 034 , 34 21 6 758 136 , SOB000040 , GBC90217	11.9401-9938.2
		BMW	Z4 Coupe/E86 (06-)	3,0 si	RR	03.2006		34 21 1 165 034 , 34 21 6 758 136 , SOB000040 , GBC90217	11.9401-9938.2
		BMW	Z4 Roadster/E85 (03-08)		RR	01.2006	12.2008	34 21 1 165 034 , 34 21 6 758 136 , SOB000040 , GBC90217	11.9401-9938.2



					OE numbers per ATE pn.		e.g. replaced pn. / miscellaneous
--	--	--	--	--	------------------------	--	-----------------------------------



## SAH - Caliper rear

24.3401-1704.5	<b>240352</b>	BMW	Z4 Roadster/E85 (03-08)	2,5 si	RR	01.2006	12.2008	34 21 1 165 034 , 34 21 6 758 136 , SOB000040 , GBC90217	11.9401-9938.2
		BMW	Z4 Roadster/E85 (03-08)	3,0 i	RR	12.2002	12.2008	34 21 1 165 034 , 34 21 6 758 136 , SOB000040 , GBC90217	11.9401-9938.2
		MG	ZT Limousine (01-05)	2,5 V6	RR	06.2001	12.2005	34 21 1 165 034 , 34 21 6 758 136 , SOB000040 , GBC90217	11.9401-9938.2
		MG	ZT Limousine (01-05)	2,0 CDTi	RR	11.2002	12.2005	34 21 1 165 034 , 34 21 6 758 136 , SOB000040 , GBC90217	11.9401-9938.2
		MG	ZT-T Kombi (01-05)		RR	11.2002	12.2005	34 21 1 165 034 , 34 21 6 758 136 , SOB000040 , GBC90217	11.9401-9938.2
		MG	ZT-T Kombi (01-05)	2,5 V6	RR	10.2001	12.2005	34 21 1 165 034 , 34 21 6 758 136 , SOB000040 , GBC90217	11.9401-9938.2
24.3431-1704.5	<b>240364</b>	MITSUBISHI	PAJERO (90-00)	2,8 TD (V46W)	RR	11.1993	03.2000	MB858465	
		MITSUBISHI	PAJERO (90-00)	3,0 V6 (V23C/V23W)	RR	12.1990	03.2000	MB858465	
		MITSUBISHI	PAJERO (90-00)	3,5 V6 (V45W)	RR	11.1993	03.2000	MB858465	
		MITSUBISHI	PAJERO (90-00)	3,0 V6 (V43W)	RR	12.1990	03.2000	MB858465	
		MITSUBISHI	PAJERO (90-00)	3,5 V6 (V25W)	RR	11.1993	03.2000	MB858465	
		MITSUBISHI	PAJERO (90-00)	2,5 TD (V44W)	RR	12.1990	03.2000	MB858465	
		MITSUBISHI	PAJERO (90-00)	2,5 TD (V24C/V24W)	RR	12.1990	03.2000	MB858465	



					OE numbers per ATE pn.		e.g. replaced pn. / miscellaneous
--	--	--	--	--	------------------------	--	-----------------------------------



## SAH - Caliper rear

24.3431-1704.5	<b>240364</b>	mitsubishi	PAJERO (90-00)	2,4 (V41W)	RR	12.1990	03.2000	MB858465	
		mitsubishi	PAJERO (90-00)	2,4 (V21C/V21W)	RR	12.1990	03.2000	MB858465	
		mitsubishi	PAJERO (90-00)	2,8 TD (V26W)	RR	11.1993	03.2000	MB858465	



## SAV - Caliper front

24.3601-1713.5	<b>240355</b>	BMW	5 series/E39 (96-03)	540 i	FL	05.1996	07.2003	34 11 1 163 303 , 34 11 1 163 643 , 34 11 6 752 425 , 34 11 1 166 231 , 34 11 6 768 429 , 34 11 6 773 131	11.9601-9809.2
		BMW	5 series/E39 (96-03)	540 i Touring	FL	05.1997	07.2003	34 11 1 163 303 , 34 11 1 163 643 , 34 11 6 752 425 , 34 11 1 166 231 , 34 11 6 768 429 , 34 11 6 773 131	11.9601-9809.2
		BMW	5 series/E39 (96-03)	535 i	FL	09.1997	07.2003	34 11 1 163 303 , 34 11 1 163 643 , 34 11 6 752 425 , 34 11 1 166 231 , 34 11 6 768 429 , 34 11 6 773 131	11.9601-9809.2
		BMW	5 series/E39 (96-03)	530 i Touring	FL	10.2000	07.2003	34 11 1 163 303 , 34 11 1 163 643 , 34 11 6 752 425 , 34 11 1 166 231 , 34 11 6 768 429 , 34 11 6 773 131	11.9601-9809.2
		BMW	5 series/E39 (96-03)	530 i	FL	10.2000	07.2003	34 11 1 163 303 , 34 11 1 163 643 , 34 11 6 752 425 , 34 11 1 166 231 , 34 11 6 768 429 , 34 11 6 773 131	11.9601-9809.2





					OE numbers per ATE pn.		e.g. replaced pn. / miscellaneous
--	--	--	--	--	------------------------	--	-----------------------------------



## SAV - Caliper front

24.3601-1713.5	240355	BMW	5 series/E39 (96-03)	530 d Touring	FL	09.2000	07.2003	34 11 1 163 303 , 34 11 1 163 643 , 34 11 6 752 425 , 34 11 1 166 231 , 34 11 6 768 429 , 34 11 6 773 131	11.9601-9809.2
		BMW	5 series/E39 (96-03)	530 d	FL	09.2000	07.2003	34 11 1 163 303 , 34 11 1 163 643 , 34 11 6 752 425 , 34 11 1 166 231 , 34 11 6 768 429 , 34 11 6 773 131	11.9601-9809.2
		BMW	5 series/E39 (96-03)	525 i Touring	FL	10.2000	07.2003	34 11 1 163 303 , 34 11 1 163 643 , 34 11 6 752 425 , 34 11 1 166 231 , 34 11 6 768 429 , 34 11 6 773 131	11.9601-9809.2
		BMW	5 series/E39 (96-03)	525 i	FL	10.2000	07.2003	34 11 1 163 303 , 34 11 1 163 643 , 34 11 6 752 425 , 34 11 1 166 231 , 34 11 6 768 429 , 34 11 6 773 131	11.9601-9809.2
		BMW	5 series/E39 (96-03)	525 d Touring	FL	04.2000	07.2003	34 11 1 163 303 , 34 11 1 163 643 , 34 11 6 752 425 , 34 11 1 166 231 , 34 11 6 768 429 , 34 11 6 773 131	11.9601-9809.2
		BMW	5 series/E39 (96-03)	525 d	FL	04.2000	07.2003	34 11 1 163 303 , 34 11 1 163 643 , 34 11 6 752 425 , 34 11 1 166 231 , 34 11 6 768 429 , 34 11 6 773 131	11.9601-9809.2
		BMW	5 series/E39 (96-03)	520 i Touring	FL	05.1997	07.2003	34 11 1 163 303 , 34 11 1 163 643 , 34 11 6 752 425 , 34 11 1 166 231 , 34 11 6 768 429 , 34 11 6 773 131	11.9601-9809.2
		BMW	5 series/E39 (96-03)	520 i	FL	03.1996	07.2003	34 11 1 163 303 , 34 11 1 163 643 , 34 11 6 752 425 , 34 11 1 166 231 , 34 11 6 768 429 , 34 11 6 773 131	11.9601-9809.2



					OE numbers per ATE pn.		e.g. replaced pn. / miscellaneous
--	--	--	--	--	------------------------	--	-----------------------------------



## SAV - Caliper front

24.3601-1713.5	240355	BMW	5 series/E39 (96-03)	520 d Touring	FL	04.2000	07.2003	34 11 1 163 303 , 34 11 1 163 643 , 34 11 6 752 425 , 34 11 1 166 231 , 34 11 6 768 429 , 34 11 6 773 131	11.9601-9809.2
		BMW	5 series/E39 (96-03)	520 d	FL	04.2000	07.2003	34 11 1 163 303 , 34 11 1 163 643 , 34 11 6 752 425 , 34 11 1 166 231 , 34 11 6 768 429 , 34 11 6 773 131	11.9601-9809.2
		BMW	7 series/E38 (93-01)	740 iL	FL	05.1994	11.2001	34 11 1 163 303 , 34 11 1 163 643 , 34 11 6 752 425 , 34 11 1 166 231 , 34 11 6 768 429 , 34 11 6 773 131	11.9601-9809.2
		BMW	7 series/E38 (93-01)	740 i	FL	07.1993	11.2001	34 11 1 163 303 , 34 11 1 163 643 , 34 11 6 752 425 , 34 11 1 166 231 , 34 11 6 768 429 , 34 11 6 773 131	11.9601-9809.2
		BMW	X3 (03-)	3,0 sd	FL	09.2006		34 11 1 163 303 , 34 11 1 163 643 , 34 11 6 752 425 , 34 11 1 166 231 , 34 11 6 768 429 , 34 11 6 773 131	11.9601-9809.2
		BMW	X5 (00-06)	4,4 i	FL	04.2000	09.2003	34 11 1 163 303 , 34 11 1 163 643 , 34 11 6 752 425 , 34 11 1 166 231 , 34 11 6 768 429 , 34 11 6 773 131	11.9601-9809.2
		BMW	X5 (00-06)		FL	10.2003	03.2007	34 11 1 163 303 , 34 11 1 163 643 , 34 11 6 752 425 , 34 11 1 166 231 , 34 11 6 768 429 , 34 11 6 773 131	11.9601-9809.2
		BMW	X5 (00-06)	3,0 i	FL	04.2000	03.2007	34 11 1 163 303 , 34 11 1 163 643 , 34 11 6 752 425 , 34 11 1 166 231 , 34 11 6 768 429 , 34 11 6 773 131	11.9601-9809.2



					OE numbers per ATE pn.		e.g. replaced pn. / miscellaneous
--	--	--	--	--	------------------------	--	-----------------------------------



## SAV - Caliper front

24.3601-1713.5	<b>240355</b>	BMW	X5 (00-06)	3,0 d	FL	05.2001	09.2003	34 11 1 163 303 , 34 11 1 163 643 , 34 11 6 752 425 , 34 11 1 166 231 , 34 11 6 768 429 , 34 11 6 773 131	11.9601-9809.2
		BMW	X5 (00-06)		FL	10.2003	03.2007	34 11 1 163 303 , 34 11 1 163 643 , 34 11 6 752 425 , 34 11 1 166 231 , 34 11 6 768 429 , 34 11 6 773 131	11.9601-9809.2
24.3601-1714.5	<b>240356</b>	BMW	5 series/E39 (96-03)	520 d	FR	04.2000	07.2003	34 11 1 163 304 , 34 11 1 163 644 , 34 11 6 752 426 , 34 11 1 166 232 , 34 11 6 768 430 , 34 11 6 773 132	11.9601-9810.2
		BMW	5 series/E39 (96-03)	540 i Touring	FR	05.1997	07.2003	34 11 1 163 304 , 34 11 1 163 644 , 34 11 6 752 426 , 34 11 1 166 232 , 34 11 6 768 430 , 34 11 6 773 132	11.9601-9810.2
		BMW	5 series/E39 (96-03)	535 i	FR	09.1997	07.2003	34 11 1 163 304 , 34 11 1 163 644 , 34 11 6 752 426 , 34 11 1 166 232 , 34 11 6 768 430 , 34 11 6 773 132	11.9601-9810.2
		BMW	5 series/E39 (96-03)	530 i	FR	10.2000	07.2003	34 11 1 163 304 , 34 11 1 163 644 , 34 11 6 752 426 , 34 11 1 166 232 , 34 11 6 768 430 , 34 11 6 773 132	11.9601-9810.2
		BMW	5 series/E39 (96-03)	530 d Touring	FR	09.2000	07.2003	34 11 1 163 304 , 34 11 1 163 644 , 34 11 6 752 426 , 34 11 1 166 232 , 34 11 6 768 430 , 34 11 6 773 132	11.9601-9810.2
		BMW	5 series/E39 (96-03)	530 d	FR	09.2000	07.2003	34 11 1 163 304 , 34 11 1 163 644 , 34 11 6 752 426 , 34 11 1 166 232 , 34 11 6 768 430 , 34 11 6 773 132	11.9601-9810.2



					OE numbers per ATE pn.		e.g. replaced pn. / miscellaneous
--	--	--	--	--	------------------------	--	-----------------------------------



## SAV - Caliper front

24.3601-1714.5	240356	BMW	5 series/E39 (96-03)	525 i Touring	FR	10.2000	07.2003	34 11 1 163 304 , 34 11 1 163 644 , 34 11 6 752 426 , 34 11 1 166 232 , 34 11 6 768 430 , 34 11 6 773 132	11.9601-9810.2
		BMW	5 series/E39 (96-03)	525 i	FR	10.2000	07.2003	34 11 1 163 304 , 34 11 1 163 644 , 34 11 6 752 426 , 34 11 1 166 232 , 34 11 6 768 430 , 34 11 6 773 132	11.9601-9810.2
		BMW	5 series/E39 (96-03)	525 d Touring	FR	04.2000	07.2003	34 11 1 163 304 , 34 11 1 163 644 , 34 11 6 752 426 , 34 11 1 166 232 , 34 11 6 768 430 , 34 11 6 773 132	11.9601-9810.2
		BMW	5 series/E39 (96-03)	525 d	FR	04.2000	07.2003	34 11 1 163 304 , 34 11 1 163 644 , 34 11 6 752 426 , 34 11 1 166 232 , 34 11 6 768 430 , 34 11 6 773 132	11.9601-9810.2
		BMW	5 series/E39 (96-03)	520 i Touring	FR	05.1997	07.2003	34 11 1 163 304 , 34 11 1 163 644 , 34 11 6 752 426 , 34 11 1 166 232 , 34 11 6 768 430 , 34 11 6 773 132	11.9601-9810.2
		BMW	5 series/E39 (96-03)	520 d Touring	FR	04.2000	07.2003	34 11 1 163 304 , 34 11 1 163 644 , 34 11 6 752 426 , 34 11 1 166 232 , 34 11 6 768 430 , 34 11 6 773 132	11.9601-9810.2
		BMW	5 series/E39 (96-03)	540 i	FR	05.1996	07.2003	34 11 1 163 304 , 34 11 1 163 644 , 34 11 6 752 426 , 34 11 1 166 232 , 34 11 6 768 430 , 34 11 6 773 132	11.9601-9810.2
		BMW	5 series/E39 (96-03)	520 i	FR	03.1996	07.2003	34 11 1 163 304 , 34 11 1 163 644 , 34 11 6 752 426 , 34 11 1 166 232 , 34 11 6 768 430 , 34 11 6 773 132	11.9601-9810.2



					OE numbers per ATE pn.		e.g. replaced pn. / miscellaneous
--	--	--	--	--	------------------------	--	-----------------------------------



## SAV - Caliper front

24.3601-1714.5	240356	BMW	5 series/E39 (96-03)	530 i Touring	FR	10.2000	07.2003	34 11 1 163 304 , 34 11 1 163 644 , 34 11 6 752 426 , 34 11 1 166 232 , 34 11 6 768 430 , 34 11 6 773 132	11.9601-9810.2
		BMW	7 series/E38 (93-01)	740 i	FR	07.1993	11.2001	34 11 1 163 304 , 34 11 1 163 644 , 34 11 6 752 426 , 34 11 1 166 232 , 34 11 6 768 430 , 34 11 6 773 132	11.9601-9810.2
		BMW	7 series/E38 (93-01)	740 iL	FR	05.1994	11.2001	34 11 1 163 304 , 34 11 1 163 644 , 34 11 6 752 426 , 34 11 1 166 232 , 34 11 6 768 430 , 34 11 6 773 132	11.9601-9810.2
		BMW	X3 (03-)	3,0 sd	FR	09.2006		34 11 1 163 304 , 34 11 1 163 644 , 34 11 6 752 426 , 34 11 1 166 232 , 34 11 6 768 430 , 34 11 6 773 132	11.9601-9810.2
		BMW	X5 (00-06)	4,4 i	FR	04.2000	09.2003	34 11 1 163 304 , 34 11 1 163 644 , 34 11 6 752 426 , 34 11 1 166 232 , 34 11 6 768 430 , 34 11 6 773 132	11.9601-9810.2
		BMW	X5 (00-06)	3,0 d	FR	10.2003	03.2007	34 11 1 163 304 , 34 11 1 163 644 , 34 11 6 752 426 , 34 11 1 166 232 , 34 11 6 768 430 , 34 11 6 773 132	11.9601-9810.2
		BMW	X5 (00-06)		FR	05.2001	09.2003	34 11 1 163 304 , 34 11 1 163 644 , 34 11 6 752 426 , 34 11 1 166 232 , 34 11 6 768 430 , 34 11 6 773 132	11.9601-9810.2
		BMW	X5 (00-06)	3,0 i	FR	04.2000	03.2007	34 11 1 163 304 , 34 11 1 163 644 , 34 11 6 752 426 , 34 11 1 166 232 , 34 11 6 768 430 , 34 11 6 773 132	11.9601-9810.2



					OE numbers per ATE pn.		e.g. replaced pn. / miscellaneous
--	--	--	--	--	------------------------	--	-----------------------------------



## SAV - Caliper front

24.3601-1714.5	<b>240356</b>	BMW	X5 (00-06)	4,4 i	FR	10.2003	03.2007	34 11 1 163 304 , 34 11 1 163 644 , 34 11 6 752 426 , 34 11 1 166 232 , 34 11 6 768 430 , 34 11 6 773 132	11.9601-9810.2
----------------	---------------	-----	------------	-------	----	---------	---------	---	----------------



## SBH - Brake pads rear

13.0460-5782.2	<b>605782</b>	HYUNDAI	SANTA FE (06-)	2,2 CRDi		03.2006		58302-2BA20	
		HYUNDAI	SANTA FE (06-)	2,2 CRDi 4x4		03.2006		58302-2BA20	
		HYUNDAI	SANTA FE (06-)	2,7 i V6		03.2006		58302-2BA20	
		HYUNDAI	SANTA FE (06-)	2,7 i V6 4x4		03.2006		58302-2BA20	



## SBV - Brake pads front

13.0460-2746.2	<b>602746</b>	AUDI	A4 (B8) Avant (08-)	2,0 TFSI Quattro		04.2008		8K0 698 151 , 8K0 698 151 B	
		AUDI	A4 (B8) Avant (08-)	3,2 FSI Quattro		04.2008		8K0 698 151 , 8K0 698 151 B	
		AUDI	A4 (B8) Avant (08-)	2,7 TDI		06.2008		8K0 698 151 , 8K0 698 151 B	
		AUDI	A4 (B8) Avant (08-)	2,0 TFSI		06.2008		8K0 698 151 , 8K0 698 151 B	
		AUDI	A4 (B8) Avant (08-)	1,8 TFSI		04.2008		8K0 698 151 , 8K0 698 151 B	
		AUDI	A4 (B8) Avant (08-)	1,8 TFSI Quattro		09.2008		8K0 698 151 , 8K0 698 151 B	



					OE numbers per ATE pn.		e.g. replaced pn. / miscellaneous
--	--	--	--	--	------------------------	--	-----------------------------------



## SBV - Brake pads front

13.0460-2746.2	<b>602746</b>	AUDI	A4 (B8) Avant (08-)	2,0 TDI	04.2008	8K0 698 151 , 8K0 698 151 B
		AUDI	A4 (B8) Avant (08-)		06.2008	8K0 698 151 , 8K0 698 151 B
		AUDI	A4 (B8) Avant (08-)	2,0 TDI Quattro	08.2008	8K0 698 151 , 8K0 698 151 B
		AUDI	A4 (B8) Avant (08-)	2,0 TFSI	04.2008	8K0 698 151 , 8K0 698 151 B
		AUDI	A4 (B8) Avant (08-)	1,8 FSI	04.2008	8K0 698 151 , 8K0 698 151 B
		AUDI	A4 (B8) Avant (08-)	3,0 TDI Quattro	04.2008	8K0 698 151 , 8K0 698 151 B
		AUDI	A4 (B8) Saloon (07-)	1,8 TFSI	11.2007	8K0 698 151 , 8K0 698 151 B
		AUDI	A4 (B8) Saloon (07-)	3,0 TDI Quattro	11.2007	8K0 698 151 , 8K0 698 151 B
		AUDI	A4 (B8) Saloon (07-)		06.2008	8K0 698 151 , 8K0 698 151 B
		AUDI	A4 (B8) Saloon (07-)	2,7 TDI	11.2007	8K0 698 151 , 8K0 698 151 B
		AUDI	A4 (B8) Saloon (07-)	2,0 TFSI Quattro	06.2008	8K0 698 151 , 8K0 698 151 B
		AUDI	A4 (B8) Saloon (07-)	2,0 TFSI	06.2008	8K0 698 151 , 8K0 698 151 B
		AUDI	A4 (B8) Saloon (07-)	2,0 TDI Quattro	01.2008	8K0 698 151 , 8K0 698 151 B
		AUDI	A4 (B8) Saloon (07-)	2,0 TDI	11.2007	8K0 698 151 , 8K0 698 151 B
		AUDI	A4 (B8) Saloon (07-)		08.2008	8K0 698 151 , 8K0 698 151 B
		AUDI	A4 (B8) Saloon (07-)		01.2008	8K0 698 151 , 8K0 698 151 B
		AUDI	A4 (B8) Saloon (07-)	3,2 FSI Quattro	11.2007	8K0 698 151 , 8K0 698 151 B
		AUDI	A4 (B8) Saloon (07-)	1,8 TFSI Quatro	09.2008	8K0 698 151 , 8K0 698 151 B



					OE numbers per ATE pn.		e.g. replaced pn. / miscellaneous
--	--	--	--	--	------------------------	--	-----------------------------------



## SBV - Brake pads front

13.0460-2746.2	<b>602746</b>	AUDI	A4 (B8) Saloon (07-)	2,0 TDI	06.2008	8K0 698 151 , 8K0 698 151 B
		AUDI	A4 (B8) Saloon (07-)	1,8 TFSI	01.2008	8K0 698 151 , 8K0 698 151 B
		AUDI	A4 Allroad (09-)	3,0 TDI	02.2009	8K0 698 151 , 8K0 698 151 B
		AUDI	A4 Allroad (09-)	2,0 TFSI	02.2009	8K0 698 151 , 8K0 698 151 B
		AUDI	A4 Allroad (09-)	2,0 TDI	02.2009	8K0 698 151 , 8K0 698 151 B
		AUDI	A5 Cabrio (09-)	2,0 TFSI	03.2009	8K0 698 151 , 8K0 698 151 B
		AUDI	A5 Cabrio (09-)	2,7 TDI	03.2009	8K0 698 151 , 8K0 698 151 B
		AUDI	A5 Cabrio (09-)	3,0 TDI	03.2009	8K0 698 151 , 8K0 698 151 B
		AUDI	A5 Cabrio (09-)	3,2 FSI	03.2009	8K0 698 151 , 8K0 698 151 B
		AUDI	A5 Cabrio (09-)	2,0 TFSI Quattro	03.2009	8K0 698 151 , 8K0 698 151 B
		AUDI	A5 Coupe (07-)	2,7 TDI	05.2007	8K0 698 151 , 8K0 698 151 B
		AUDI	A5 Coupe (07-)	1,8 TFSI	10.2007	8K0 698 151 , 8K0 698 151 B
		AUDI	A5 Coupe (07-)	2,0 TFSI	06.2008	8K0 698 151 , 8K0 698 151 B
		AUDI	A5 Coupe (07-)	2,0 TFSI Quattro	06.2008	8K0 698 151 , 8K0 698 151 B
		AUDI	A5 Coupe (07-)	3,0 TDI Quattro	05.2007	8K0 698 151 , 8K0 698 151 B
		AUDI	A5 Coupe (07-)	3,2 FSI	05.2007	8K0 698 151 , 8K0 698 151 B
		AUDI	A5 Coupe (07-)	3,2 FSI Quattro	06.2007	8K0 698 151 , 8K0 698 151 B
		AUDI	A5 Coupe (07-)	S5	05.2007	8K0 698 151 , 8K0 698 151 B





					OE numbers per ATE pn.		e.g. replaced pn. / miscellaneous
--	--	--	--	--	------------------------	--	-----------------------------------



## SBV - Brake pads front

13.0460-2746.2	<b>602746</b>	AUDI	A5 Coupe (07-)	2,0 TFSI		11.2008		8K0 698 151 , 8K0 698 151 B	
13.0460-4847.2	<b>604847</b>	IVECO	DAILY II (99-06)	50 C 15		01.2001		42536101 , 50 01 844 748	
		IVECO	DAILY II (99-06)	65 C 15		11.2001		42536101 , 50 01 844 748	
		RENAULT	MASCOTT (99-04)	150,35		01.1999	06.2004	42536101 , 50 01 844 748	
		RENAULT	MASCOTT (99-04)	110,35		01.1999	06.2004	42536101 , 50 01 844 748	
		RENAULT	MASCOTT (99-04)	110,5		01.1999	06.2004	42536101 , 50 01 844 748	
		RENAULT	MASCOTT (99-04)	130,35		01.1999	06.2004	42536101 , 50 01 844 748	
		RENAULT	MASCOTT (99-04)	140,35		01.1999	06.2004	42536101 , 50 01 844 748	
13.0460-5606.2	<b>605606</b>	MAZDA	CX-7 (07-)	2,3 DISI Turbo		10.2007		L2Y6-33-23Z , EHY2-33-28Z	
13.0460-5783.2	<b>605783</b>	NISSAN	NAVARA (D40M) (05-)	2,5 dCi 4WD		07.2005		41060-EB326	
		NISSAN	NAVARA (D40M) (05-)			10.2006		41060-EB326	
		NISSAN	NAVARA (D40M) (05-)	2,5 dCi		07.2005		41060-EB326	
		NISSAN	PATHFINDER (R51M) (05-)	2,5 dCi 4WD		10.2006		41060-EB326	
		NISSAN	PATHFINDER (R51M) (05-)			03.2005		41060-EB326	
		NISSAN	PATHFINDER (R51M) (05-)	2,5 dCi		01.2005		41060-EB326	
13.0460-7243.2	<b>607243</b>	VOLVO	S80 II (06-)	3,2 AWD		01.2007		30736322 , 30793539 , 31200229	
		VOLVO	S80 II (06-)	2,4 D		04.2009		30736322 , 30793539 , 31200229	



					OE numbers per ATE pn.	 e.g. replaced pn. / miscellaneous
---	---	---	---	---	------------------------	---



## SBV - Brake pads front

13.0460-7243.2	607243	VOLVO	S80 II (06-)	3,0 T6 AWD	01.2007	30736322 , 30793539 , 31200229
		VOLVO	S80 II (06-)	2,5 T FlexiFuel	04.2008	30736322 , 30793539 , 31200229
		VOLVO	S80 II (06-)	2,5 T AWD	10.2006	30736322 , 30793539 , 31200229
		VOLVO	S80 II (06-)	2,5 T	03.2006	30736322 , 30793539 , 31200229
		VOLVO	S80 II (06-)	2,4 D5 AWD	01.2007	30736322 , 30793539 , 31200229
		VOLVO	S80 II (06-)	2,0 D	09.2007	30736322 , 30793539 , 31200229
		VOLVO	S80 II (06-)	3,2	03.2006	30736322 , 30793539 , 31200229
		VOLVO	S80 II (06-)	2	09.2007	30736322 , 30793539 , 31200229
		VOLVO	S80 II (06-)	2,4 D5	11.2008	30736322 , 30793539 , 31200229
		VOLVO	S80 II (06-)	2,0 FlexiFuel	09.2007	30736322 , 30793539 , 31200229
		VOLVO	S80 II (06-)	2,0 TDi	02.2008	30736322 , 30793539 , 31200229
		VOLVO	S80 II (06-)	4,4	08.2006	30736322 , 30793539 , 31200229



					OE numbers per ATE pn.	 e.g. replaced pn. / miscellaneous
--	--	--	--	--	------------------------	---------------------------------------



## SBV - Brake pads front

13.0460-7243.2	607243	VOLVO	S80 II (06-)	4,4 AWD		03.2006	30736322 , 30793539 , 31200229	
		VOLVO	S80 II (06-)	2,4 D5		03.2006	30736322 , 30793539 , 31200229	
		VOLVO	S80 II (06-)	2,4 D		03.2006	30736322 , 30793539 , 31200229	
		VOLVO	V70 III (07-)	3,0 T6 AWD		08.2007	30736322 , 30793539 , 31200229	
		VOLVO	V70 III (07-)	2		10.2007	30736322 , 30793539 , 31200229	
		VOLVO	V70 III (07-)	2,0 D		10.2007	30736322 , 30793539 , 31200229	
		VOLVO	V70 III (07-)	2,0 FlexiFuel		09.2007	30736322 , 30793539 , 31200229	
		VOLVO	V70 III (07-)	2,4 D		08.2007	30736322 , 30793539 , 31200229	
		VOLVO	V70 III (07-)	2,4 D5		08.2007	30736322 , 30793539 , 31200229	
		VOLVO	V70 III (07-)	2,4 D5 AWD		10.2007	30736322 , 30793539 , 31200229	
		VOLVO	V70 III (07-)	2,5 T		08.2007	30736322 , 30793539 , 31200229	
		VOLVO	V70 III (07-)	3,2		08.2007	30736322 , 30793539 , 31200229	



					OE numbers per ATE pn.		e.g. replaced pn. / miscellaneous
--	--	--	--	--	------------------------	--	-----------------------------------



## SBV - Brake pads front

13.0460-7243.2	<b>607243</b>	VOLVO	V70 III (07-)	2,5 T FlexiFuel		04.2008		30736322 , 30793539 , 31200229	
		VOLVO	V70 III (07-)	3,2 AWD		08.2007		30736322 , 30793539 , 31200229	
		VOLVO	XC70 II CROSS COUNTRY (07-)	2,4 D AWD		08.2007		30736322 , 30793539 , 31200229	
		VOLVO	XC70 II CROSS COUNTRY (07-)	3,0 T6 AWD		01.2008		30736322 , 30793539 , 31200229	
		VOLVO	XC70 II CROSS COUNTRY (07-)	2,4 D5 AWD		08.2007		30736322 , 30793539 , 31200229	
		VOLVO	XC70 II CROSS COUNTRY (07-)	3,2 AWD		08.2007		30736322 , 30793539 , 31200229	



## SCH - Brake disc rear

24.0109-0155.1	<b>409155</b>	TOYOTA	AURIS (07-)	1,6 VVTi		03.2007		42431-12260	
		TOYOTA	AURIS (07-)	1,4 VVTi		03.2007		42431-12260	
		TOYOTA	COROLLA (06-)	1,4 VVTi (ZZE150)		11.2006		42431-12260	
		TOYOTA	COROLLA (06-)	1,6 VVTi (ZRE151)		11.2006		42431-12260	
24.0110-0316.1	<b>410316</b>	LEXUS	RX 300 (00-06)	3,3 i V6 4WD (MCU38)		05.2003	01.2006	42431-48040 , 42431-48041	
		LEXUS	RX 300 (00-06)	3,0 i V6 4WD (MCU35)		05.2003	01.2006	42431-48040 , 42431-48041	



					OE numbers per ATE pn.		e.g. replaced pn. / miscellaneous
--	--	--	--	--	------------------------	--	-----------------------------------



## SCH - Brake disc rear

24.0110-0316.1	<b>410316</b>	LEXUS	RX 350/400 (05-)	3,5 V6		02.2006		42431-48040 , 42431-48041	
		LEXUS	RX 350/400 (05-)	3,3 i V6 Hybrid		04.2005		42431-48040 , 42431-48041	
		LEXUS	RX 350/400 (05-)	400 h		04.2005		42431-48040 , 42431-48041	
		LEXUS	RX 350/400 (05-)	400 h FWD		04.2005		42431-48040 , 42431-48041	
24.0110-0335.1	<b>410335</b>	LEXUS	IS 220/250 (05-)	2,2 D (ALE20)		10.2005		42431-30280	
		LEXUS	IS 220/250 (05-)	2,5 i V6 (GSE20)		10.2005		42431-30280	
24.0110-0704.1	<b>410704</b>	MITSUBISHI	ECLIPSE II (95-99)	2,0 GT 16V		12.1995	04.1999	MB895200 , MB928716	
		MITSUBISHI	ECLIPSE II (95-99)	2,0 GS 16V		12.1995	04.1999	MB895200 , MB928716	
		MITSUBISHI	LANCER Evolution (04-07)	2,0 i 16V (CT9A)		01.2006	08.2007	MB895200 , MB928716	
		MITSUBISHI	LANCER Kombi (03-07)	2,4 i 16V (CS9W)		09.2003	03.2007	MB895200 , MB928716	
		MITSUBISHI	LANCER Kombi (03-07)	2,0 i 16V (CS9W)		09.2003	03.2007	MB895200 , MB928716	
		MITSUBISHI	LANCER Kombi (03-07)	1,6 i 16V (CS3W)		09.2003	03.2007	MB895200 , MB928716	
		MITSUBISHI	LANCER Limousine (03-07)	2,0 i 16V (CS9A)		12.2003	03.2007	MB895200 , MB928716	
		MITSUBISHI	LANCER Limousine (03-07)	1,6 i 16V (CS3A)		09.2003	03.2007	MB895200 , MB928716	
		MITSUBISHI	LANCER Limousine (03-07)	1,3 i 16V (CS1A)		09.2003	03.2007	MB895200 , MB928716	
		MITSUBISHI	OUTLANDER (03-06)	2,0 i 16V Turbo 4WD		04.2004	12.2006	MB895200 , MB928716	
		MITSUBISHI	OUTLANDER (03-06)	2,0 i 16V		05.2003	12.2006	MB895200 , MB928716	
		MITSUBISHI	OUTLANDER (03-06)	2,0 i 16V 4WD		05.2003	12.2006	MB895200 , MB928716	



					OE numbers per ATE pn.	 e.g. replaced pn. / miscellaneous
--	--	--	--	--	------------------------	---------------------------------------



## SCH - Brake disc rear

24.0110-0704.1	<b>410704</b>	MITSUBISHI	OUTLANDER (03-06)	2,4 i 16V 4WD		11.2003	12.2006	MB895200 , MB928716	
		MITSUBISHI	OUTLANDER (07-)	2,0 i 16V		01.2007		MB895200 , MB928716	
		MITSUBISHI	OUTLANDER (07-)	2,4 Mivec		01.2007		MB895200 , MB928716	
		MITSUBISHI	SPACE RUNNER (99-03)	2,0 i 16V (N63W)		09.1999	04.2003	MB895200 , MB928716	
		MITSUBISHI	SPACE RUNNER (99-03)	2,4 16V GDI (N64W)		09.1999	04.2003	MB895200 , MB928716	
24.0111-0147.1	<b>411147</b>	VOLVO	S80 II (06-)	2,5 T FlexiFuel		04.2008		30769059	
		VOLVO	S80 II (06-)	3,2		03.2006		30769059	
		VOLVO	S80 II (06-)	3,0 T6 AWD		01.2007		30769059	
		VOLVO	S80 II (06-)	2		09.2007		30769059	
		VOLVO	S80 II (06-)	4,4 AWD		03.2006		30769059	
		VOLVO	S80 II (06-)	3,2 AWD		01.2007		30769059	
		VOLVO	S80 II (06-)	2,4 D5 AWD		01.2007		30769059	
		VOLVO	S80 II (06-)	4,4		08.2006		30769059	
		VOLVO	S80 II (06-)	2,0 TDi		02.2008		30769059	
		VOLVO	S80 II (06-)	2,5 T AWD		10.2006		30769059	
		VOLVO	S80 II (06-)	2,5 T		03.2006		30769059	
		VOLVO	S80 II (06-)	2,4 D		04.2009		30769059	
		VOLVO	S80 II (06-)	2,4 D5		03.2006		30769059	



					OE numbers per ATE pn.	 e.g. replaced pn. / miscellaneous
---	---	---	---	---	------------------------	---



## SCH - Brake disc rear

24.0111-0147.1	<b>411147</b>	VOLVO	S80 II (06-)	2,0 FlexiFuel	09.2007	30769059
		VOLVO	S80 II (06-)	2,0 D	09.2007	30769059
		VOLVO	S80 II (06-)	2,4 D	03.2006	30769059
		VOLVO	S80 II (06-)	2,4 D5	11.2008	30769059
24.0112-0180.1	<b>412180</b>	VOLVO	S80 II (06-)	4,4	08.2006	30769058
		VOLVO	S80 II (06-)	2,4 D	03.2006	30769058
		VOLVO	S80 II (06-)	2,4 D5 AWD	01.2007	30769058
		VOLVO	S80 II (06-)	2,5 T	03.2006	30769058
		VOLVO	S80 II (06-)	2,5 T AWD	10.2006	30769058
		VOLVO	S80 II (06-)	2,4 D5	03.2006	30769058
		VOLVO	S80 II (06-)	2,0 TDi	02.2008	30769058
		VOLVO	S80 II (06-)	2,4 D	04.2009	30769058
		VOLVO	S80 II (06-)	3,0 T6 AWD	01.2007	30769058
		VOLVO	S80 II (06-)	2,4 D5	11.2008	30769058
		VOLVO	S80 II (06-)	3,2 AWD	01.2007	30769058
		VOLVO	S80 II (06-)	2,5 T FlexiFuel	04.2008	30769058
		VOLVO	S80 II (06-)	2,0 FlexiFuel	09.2007	30769058
		VOLVO	S80 II (06-)	2,0 D	09.2007	30769058



					OE numbers per ATE pn.	 e.g. replaced pn. / miscellaneous
---	---	---	---	---	------------------------	---



## SCH - Brake disc rear

24.0112-0180.1	412180	VOLVO	S80 II (06-)	4,4 AWD		03.2006		30769058	
		VOLVO	S80 II (06-)	2		09.2007	2	30769058	
		VOLVO	S80 II (06-)	3,2		03.2006		30769058	
		VOLVO	V70 III (07-)	2,0 FlexiFuel		09.2007		30769058	
		VOLVO	V70 III (07-)	2,4 D		08.2007		30769058	
		VOLVO	V70 III (07-)	2,4 D5		08.2007		30769058	
		VOLVO	V70 III (07-)	2,5 T FlexiFuel		04.2008		30769058	
		VOLVO	V70 III (07-)	3,2		08.2007		30769058	
		VOLVO	V70 III (07-)	3,2 AWD		08.2007		30769058	
		VOLVO	V70 III (07-)	2,5 T		08.2007		30769058	
		VOLVO	V70 III (07-)	2,4 D5 AWD		10.2007		30769058	
		VOLVO	V70 III (07-)	2		10.2007		30769058	
		VOLVO	V70 III (07-)	3,0 T6 AWD		08.2007		30769058	
		VOLVO	V70 III (07-)	2,0 D		10.2007		30769058	
		VOLVO	XC70 II CROSS COUNTRY (07-)	2,4 D AWD		08.2007		30769058	
		VOLVO	XC70 II CROSS COUNTRY (07-)	2,4 D5 AWD		08.2007		30769058	
		VOLVO	XC70 II CROSS COUNTRY (07-)	3,0 T6 AWD		01.2008		30769058	
		VOLVO	XC70 II CROSS COUNTRY (07-)	3,2 AWD		08.2007		30769058	





		<b>i</b>			OE numbers per ATE pn.	<b>i</b> e.g. replaced pn. / miscellaneous
--	--	----------	--	--	---------------------------	--



## SCH - Brake disc rear

24.0118-0147.1	<b>418147</b>	LEXUS	GS (05-)	3,0 VVTi		04.2005		42431-30290	
		LEXUS	GS (05-)	4,3 VVTi		04.2005		42431-30290	
		LEXUS	GS (05-)	450 h		02.2006		42431-30290	
24.0122-0233.1	<b>422233</b>	ALFA ROMEO	159 (05-)	3,2 JTS		02.2008		51767380 , 46843611 , 51760274	
		ALFA ROMEO	159 (05-)	3,2 JTS Q4		03.2006		51767380 , 46843611 , 51760274	
		ALFA ROMEO	159 (05-)	2,4 JTDM 20V Q4		05.2007		51767380 , 46843611 , 51760274	
		ALFA ROMEO	159 (05-)	2,4 JTDM 20V		06.2005	02.2006	51767380 , 46843611 , 51760274	
		ALFA ROMEO	159 (05-)			03.2006		51767380 , 46843611 , 51760274	
		ALFA ROMEO	159 (05-)	3,2 JTS Q4		12.2005	02.2006	51767380 , 46843611 , 51760274	
		ALFA ROMEO	159 (05-)	2,4 JTDM 20V		05.2007		51767380 , 46843611 , 51760274	
		ALFA ROMEO	BRERA (06-)			04.2006		51767380 , 46843611 , 51760274	
		ALFA ROMEO	BRERA (06-)			12.2005	03.2006	51767380 , 46843611 , 51760274	
		ALFA ROMEO	BRERA (06-)	3,2 JTS		03.2008		51767380 , 46843611 , 51760274	



		<b>i</b>			OE numbers per ATE pn.	<b>i</b> e.g. replaced pn. / miscellaneous
--	--	----------	--	--	---------------------------	--



## SCH - Brake disc rear

24.0122-0233.1	<b>422233</b>	ALFA ROMEO	BRERA (06-)	3,2 JTS Q4		12.2005	03.2006	51767380 , 46843611 , 51760274	
		ALFA ROMEO	BRERA (06-)			04.2006		51767380 , 46843611 , 51760274	
		ALFA ROMEO	BRERA (06-)	2,4 JTDM 20V		02.2007		51767380 , 46843611 , 51760274	
		ALFA ROMEO	SPIDER (06-)	3,2 JTS Q4		04.2006	05.2006	51767380 , 46843611 , 51760274	
		ALFA ROMEO	SPIDER (06-)	3,2 JTS		03.2008		51767380 , 46843611 , 51760274	
		ALFA ROMEO	SPIDER (06-)	3,2 JTS Q4		06.2006		51767380 , 46843611 , 51760274	
		ALFA ROMEO	SPIDER (06-)	2,4 JTDM 20V		02.2007		51767380 , 46843611 , 51760274	
		ALFA ROMEO	SPIDER (06-)			05.2007		51767380 , 46843611 , 51760274	
24.0122-0250.1	<b>422250</b>	AUDI	A4 (B8) Avant (08-)	S4		11.2008		8K0 615 601 C	
		AUDI	A4 (B8) Saloon (07-)			01.2008		8K0 615 601 C	
		AUDI	A5 Coupe (07-)	3,2 FSI		05.2007		8K0 615 601 C	
		AUDI	A5 Coupe (07-)	S5		05.2007		8K0 615 601 C	
		AUDI	A5 Coupe (07-)	3,0 TDI Quattro		05.2007		8K0 615 601 C	
		AUDI	A5 Coupe (07-)	2,7 TDI		05.2007		8K0 615 601 C	
		AUDI	A5 Coupe (07-)	2,0 TFSI Quattro		06.2008		8K0 615 601 C	



					OE numbers per ATE pn.	 e.g. replaced pn. / miscellaneous
---	---	---	---	---	------------------------	---



## SCH - Brake disc rear

24.0122-0250.1	<b>422250</b>	AUDI	A5 Coupe (07-)	2,0 TFSI		06.2008	8K0 615 601 C	
		AUDI	A5 Coupe (07-)			11.2008	8K0 615 601 C	
		AUDI	A5 Coupe (07-)	1,8 TFSI		10.2007	8K0 615 601 C	
		AUDI	A5 Coupe (07-)	3,2 FSI Quattro		06.2007	8K0 615 601 C	
		AUDI	Q5 (08-)	3,0 TDI		11.2008	8K0 615 601 C	
		AUDI	Q5 (08-)	3,2 FSI		11.2008	8K0 615 601 C	
		AUDI	Q5 (08-)	2,0 TFSI		11.2008	8K0 615 601 C	
		AUDI	Q5 (08-)	2,0 TDI		11.2008	8K0 615 601 C	
24.0122-0259.1	<b>422259</b>	VOLVO	S80 II (06-)	2,4 D5 AWD		01.2007	30769060	
		VOLVO	S80 II (06-)	2		09.2007	30769060	
		VOLVO	S80 II (06-)	2,0 D		09.2007	30769060	
		VOLVO	S80 II (06-)	2,0 FlexiFuel		09.2007	30769060	
		VOLVO	S80 II (06-)	2,0 TDi		02.2008	30769060	
		VOLVO	S80 II (06-)	2,4 D		03.2006	30769060	
		VOLVO	S80 II (06-)			04.2009	30769060	
		VOLVO	S80 II (06-)	2,5 T AWD		10.2006	30769060	
		VOLVO	S80 II (06-)	2,4 D5		11.2008	30769060	
		VOLVO	S80 II (06-)	3,2		03.2006	30769060	



					OE numbers per ATE pn.	 e.g. replaced pn. / miscellaneous
---	---	---	---	---	------------------------	---



## SCH - Brake disc rear

24.0122-0259.1	422259	VOLVO	S80 II (06-)	2,5 T	03.2006	30769060
		VOLVO	S80 II (06-)	4,4 AWD	03.2006	30769060
		VOLVO	S80 II (06-)	4,4	08.2006	30769060
		VOLVO	S80 II (06-)	2,5 T FlexiFuel	04.2008	30769060
		VOLVO	S80 II (06-)	3,0 T6 AWD	01.2007	30769060
		VOLVO	S80 II (06-)	3,2 AWD	01.2007	30769060
		VOLVO	S80 II (06-)	2,4 D5	03.2006	30769060
		VOLVO	V70 III (07-)		08.2007	30769060
		VOLVO	V70 III (07-)	3,2	08.2007	30769060
		VOLVO	V70 III (07-)	3,0 T6 AWD	08.2007	30769060
		VOLVO	V70 III (07-)	2,5 T FlexiFuel	04.2008	30769060
		VOLVO	V70 III (07-)	2,4 D5 AWD	10.2007	30769060
		VOLVO	V70 III (07-)	3,2 AWD	08.2007	30769060
		VOLVO	V70 III (07-)	2,4 D	08.2007	30769060
		VOLVO	V70 III (07-)	2,0 FlexiFuel	09.2007	30769060
		VOLVO	V70 III (07-)	2,0 D	10.2007	30769060
		VOLVO	V70 III (07-)	2	10.2007	30769060
		VOLVO	V70 III (07-)	2,5 T	08.2007	30769060



					OE numbers per ATE pn.		e.g. replaced pn. / miscellaneous
--	--	--	--	--	------------------------	--	-----------------------------------



## SCH - Brake disc rear

24.0122-0259.1	<b>422259</b>	VOLVO	XC70 II CROSS COUNTRY (07-)	3,2 AWD		08.2007		30769060	
		VOLVO	XC70 II CROSS COUNTRY (07-)	3,0 T6 AWD		01.2008		30769060	
		VOLVO	XC70 II CROSS COUNTRY (07-)	2,4 D AWD		08.2007		30769060	
		VOLVO	XC70 II CROSS COUNTRY (07-)	2,4 D5 AWD		08.2007		30769060	
24.0124-0212.1	<b>424212</b>	MERCEDES BENZ	CL-Class (C216) Coupe (06-)	CL 500		07.2006		221 423 04 12	
		MERCEDES BENZ	CL-Class (C216) Coupe (06-)	CL 500 4 Matic		03.2008		221 423 04 12	
		MERCEDES BENZ	S-Class (W221) (06-)	S 420 CDI		04.2006		221 423 04 12	
		MERCEDES BENZ	S-Class (W221) (06-)	S 450		04.2006		221 423 04 12	
		MERCEDES BENZ	S-Class (W221) (06-)	S 450 4-Matic		04.2006		221 423 04 12	
		MERCEDES BENZ	S-Class (W221) (06-)	S 500		12.2005		221 423 04 12	
		MERCEDES BENZ	S-Class (W221) (06-)	S 500 4-Matic		04.2006		221 423 04 12	



## SCV - Brake disc front

24.0122-0240.1	<b>422240</b>	TOYOTA	YARIS (06-)	1,0 VVT-i		01.2006		43512-0D060	
		TOYOTA	YARIS (06-)	1,4 D-4D		01.2006		43512-0D060	
		TOYOTA	YARIS (06-)	1,3 VVT-i		01.2006		43512-0D060	
24.0122-0247.1	<b>422247</b>	MINI	R55 Clubman (07-)	Cooper S		09.2007		34 11 6 774 986	



					OE numbers per ATE pn.		e.g. replaced pn. / miscellaneous
--	--	--	--	--	------------------------	--	-----------------------------------



## SCV - Brake disc front

24.0122-0247.1	<b>422247</b>	MINI	R56 (06-)	Cooper S		11.2006	34 11 6 774 986	
		MINI	R57 Cabrio (09-)			01.2009	34 11 6 774 986	
24.0122-0254.1	<b>422254</b>	TOYOTA	YARIS (06-)	1,0 VVT-i		01.2006	43512-52130	
		TOYOTA	YARIS (06-)	1,8 VVT-i		01.2007	43512-52130	
24.0125-0178.1	<b>425178</b>	TOYOTA	RAV4 III (05-)	3,5 VVTi 4x4		11.2005	43512-42040	
		TOYOTA	RAV4 III (05-)	2,4 VVTi 4x4		11.2005	43512-42040	
24.0126-0145.1	<b>426145</b>	MITSUBISHI	PAJERO (06-)	3,2 DiD (V88W)		09.2006	4615A061	
		MITSUBISHI	PAJERO (06-)	3,8 i V6 (V87W)		09.2006	4615A061	
24.0126-0148.1	<b>426148</b>	TOYOTA	AURIS (07-)	1,4 VVTi		03.2007	43512-12690 , 43512-02180	
		TOYOTA	AURIS (07-)	1,4 D-4D		03.2007	43512-12690 , 43512-02180	
		TOYOTA	AURIS (07-)	1,6 VVTi		03.2007	43512-12690 , 43512-02180	
		TOYOTA	COROLLA (06-)	1,4 D-4D (NDE150)		11.2006	43512-12690 , 43512-02180	
24.0128-0153.1	<b>428153</b>	NISSAN	MURANO (Z50) (03-)	3,5 i V6		10.2003	40206-CA010	
		NISSAN	MURANO (Z50) (03-)	3,5 i V6 4x4		10.2003	40206-CA010	
24.0128-0159.1	<b>428159</b>	TOYOTA	RAV4 III (05-)	2,2 D-CAT		03.2006	43512-42050	
		TOYOTA	RAV4 III (05-)	2,0 VVTi		03.2006	43512-42050	
		TOYOTA	RAV4 III (05-)	2,2 D-4D		03.2006	43512-42050	
24.0128-0210.1	<b>428210</b>	VOLVO	S80 II (06-)	2,4 D5		03.2006	30769057	



					OE numbers per ATE pn.	 e.g. replaced pn. / miscellaneous
--	--	--	--	--	------------------------	---------------------------------------



## SCV - Brake disc front

24.0128-0210.1	<b>428210</b>	VOLVO	S80 II (06-)	2,0 TDi	02.2008	30769057
		VOLVO	S80 II (06-)	2	09.2007	30769057
		VOLVO	S80 II (06-)	2,0 D	09.2007	30769057
		VOLVO	S80 II (06-)	2,0 FlexiFuel	09.2007	30769057
		VOLVO	S80 II (06-)	2,4 D	04.2009	30769057
		VOLVO	S80 II (06-)	2,4 D5	11.2008	30769057
		VOLVO	S80 II (06-)	2,4 D5 AWD	01.2007	30769057
		VOLVO	S80 II (06-)	2,5 T	03.2006	30769057
		VOLVO	S80 II (06-)	2,5 T AWD	10.2006	30769057
		VOLVO	S80 II (06-)	2,5 T FlexiFuel	04.2008	30769057
		VOLVO	S80 II (06-)	3,0 T6 AWD	01.2007	30769057
		VOLVO	S80 II (06-)	3,2	03.2006	30769057
		VOLVO	S80 II (06-)	3,2 AWD	01.2007	30769057
		VOLVO	S80 II (06-)	4,4	08.2006	30769057
		VOLVO	S80 II (06-)	4,4 AWD	03.2006	30769057
		VOLVO	S80 II (06-)	2,4 D	03.2006	30769057
		VOLVO	V70 III (07-)	3,0 T6 AWD	08.2007	30769057
		VOLVO	V70 III (07-)	3,2 AWD	08.2007	30769057



					OE numbers per ATE pn.		e.g. replaced pn. / miscellaneous
--	--	--	--	--	------------------------	--	-----------------------------------



## SCV - Brake disc front

24.0128-0210.1	<b>428210</b>	VOLVO	V70 III (07-)	2	10.2007		30769057	
		VOLVO	V70 III (07-)	2,5 T FlexiFuel	04.2008		30769057	
		VOLVO	V70 III (07-)	2,5 T	08.2007		30769057	
		VOLVO	V70 III (07-)	2,4 D5 AWD	10.2007		30769057	
		VOLVO	V70 III (07-)	2,4 D5	08.2007		30769057	
		VOLVO	V70 III (07-)	2,0 D	10.2007		30769057	
		VOLVO	V70 III (07-)	3,2	08.2007		30769057	
		VOLVO	V70 III (07-)	2,0 FlexiFuel	09.2007		30769057	
		VOLVO	V70 III (07-)	2,4 D	08.2007		30769057	
		VOLVO	XC70 II CROSS COUNTRY (07-)	3,2 AWD	08.2007		30769057	
		VOLVO	XC70 II CROSS COUNTRY (07-)	2,4 D5 AWD	08.2007		30769057	
		VOLVO	XC70 II CROSS COUNTRY (07-)	2,4 D AWD	08.2007		30769057	
		VOLVO	XC70 II CROSS COUNTRY (07-)	3,0 T6 AWD	01.2008		30769057	
24.0128-0211.1	<b>428211</b>	KIA	CARNIVAL II (01-06)	3,5 i V6	12.2003	08.2006	OK58B-33-251	
		KIA	CARNIVAL II (01-06)	2,9 CRDi	12.2003	08.2006	OK58B-33-251	
		KIA	CARNIVAL II (01-06)	2,5 i V6	12.2003	08.2006	OK58B-33-251	
		KIA	SEDONA II (GB) (01-06)	2,9 CRDi	12.2003	10.2006	OK58B-33-251	
		KIA	SEDONA II (GB) (01-06)	2,5 i V6	12.2003	10.2006	OK58B-33-251	





					OE numbers per ATE pn.		e.g. replaced pn. / miscellaneous
--	--	--	--	--	------------------------	--	-----------------------------------



## SCV - Brake disc front

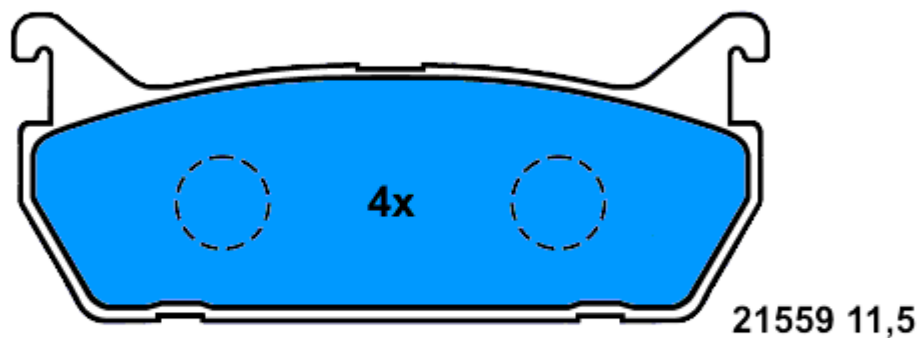
24.0128-0211.1	<b>428211</b>	KIA	SEDONA II (GB) (01-06)	3,5 i V6	12.2003	10.2006	OK58B-33-251	
24.0128-0215.1	<b>428215</b>	MITSUBISHI	PAJERO (06-)	3,2 DiD (V98W)	09.2006		4615A038	
		MITSUBISHI	PAJERO (06-)	3,8 i V6 (V97W)	09.2006		4615A038	
24.0128-0219.1	<b>428219</b>	FIAT	GRANDE PUNTO (06-)	1,4 i Turbo Abarth	10.2007		51778054 , 51822457	
24.0130-0195.1	<b>430195</b>	LAND ROVER	RANGE ROVER SPORT (05-)	4,2 V8 Kompressor	02.2005		SDB000622 , SDB000623 , SDB000624	
		LAND ROVER	RANGE ROVER SPORT (05-)	3,6 TD V8	04.2006		SDB000622 , SDB000623 , SDB000624	
24.0132-0136.1	<b>432136</b>	MERCEDES BENZ	S-Class (W220) (98-06)	S 500 4-Matic	09.2002	03.2006	220 421 18 12	
		MERCEDES BENZ	S-Class (W220) (98-06)	S 430 4-Matic	09.2002	03.2006	220 421 18 12	
24.0132-0137.1	<b>432137</b>	MERCEDES BENZ	S-Class (W221) (06-)	S 350 4-Matic	02.2007		221 421 06 12	
		MERCEDES BENZ	S-Class (W221) (06-)	S 350	12.2005		221 421 06 12	
		MERCEDES BENZ	S-Class (W221) (06-)	S 280	04.2006		221 421 06 12	
		MERCEDES BENZ	S-Class (W221) (06-)	S 320 CDI	12.2005		221 421 06 12	



# NEW ATE PAD ON STOCK



13.0460-5972.2 605972



102,3 x 39,3

## General applications - Details see Detail List

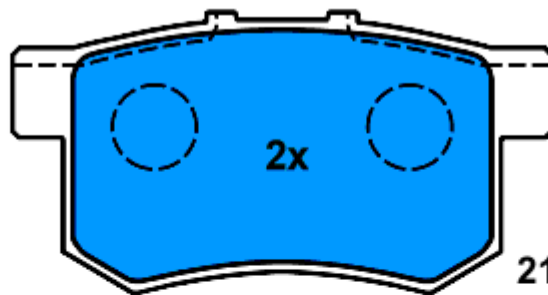
DAIHATSU APPLAUSE I (89-97)  
MAZDA 323 Limousine/323 F (89-94)  
MAZDA MX-5 (89-98)  
SUZUKI BALENO (95-02)



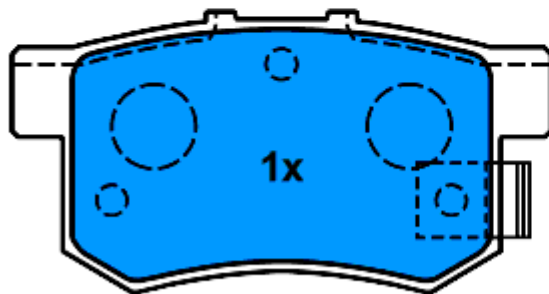
# NEW ATE PAD ON STOCK



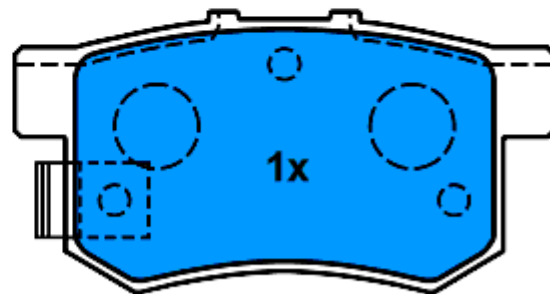
13.0460-5929.2 605929



21719 15,0



21721 15,0



21720 15,0

88,9 x 47,1

## General applications - Details see Detail List

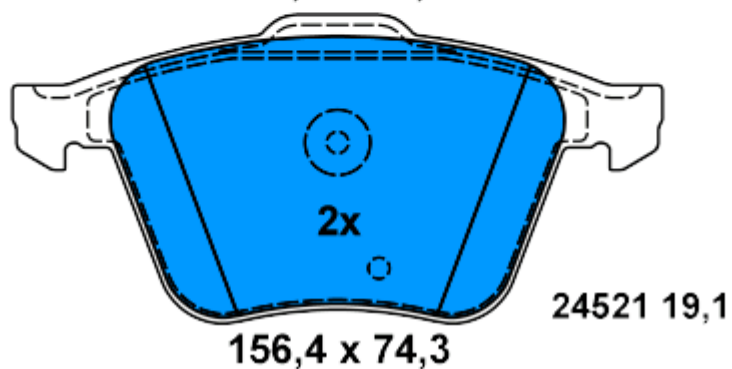
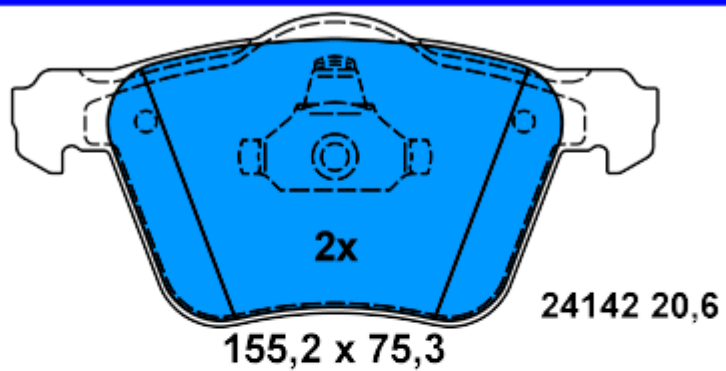
HONDA ACCORD (90-93)  
HONDA ACCORD (93-98)  
HONDA ACCORD COUPE (98-05)  
HONDA CIVIC (3-t?rig) (01-05)  
HONDA CIVIC (4-t?rig) (05-)  
HONDA CIVIC (5-t?rig) (01-05)  
HONDA CIVIC (5-t?rig) (97-01)  
HONDA CIVIC AERODECK (98-01)  
HONDA CIVIC COUPE (01-04)  
HONDA INTEGRA R (97-01)  
HONDA PRELUDE (92-96)  
HONDA PRELUDE (96-00)  
HONDA S2000 (99-04)  
MG ZR (01-05)  
ROVER 600-Serie (RH) (93-99)  
SUZUKI SWIFT III (05-)



# NEW ATE PAD ON STOCK



13.0460-7243.2 607243



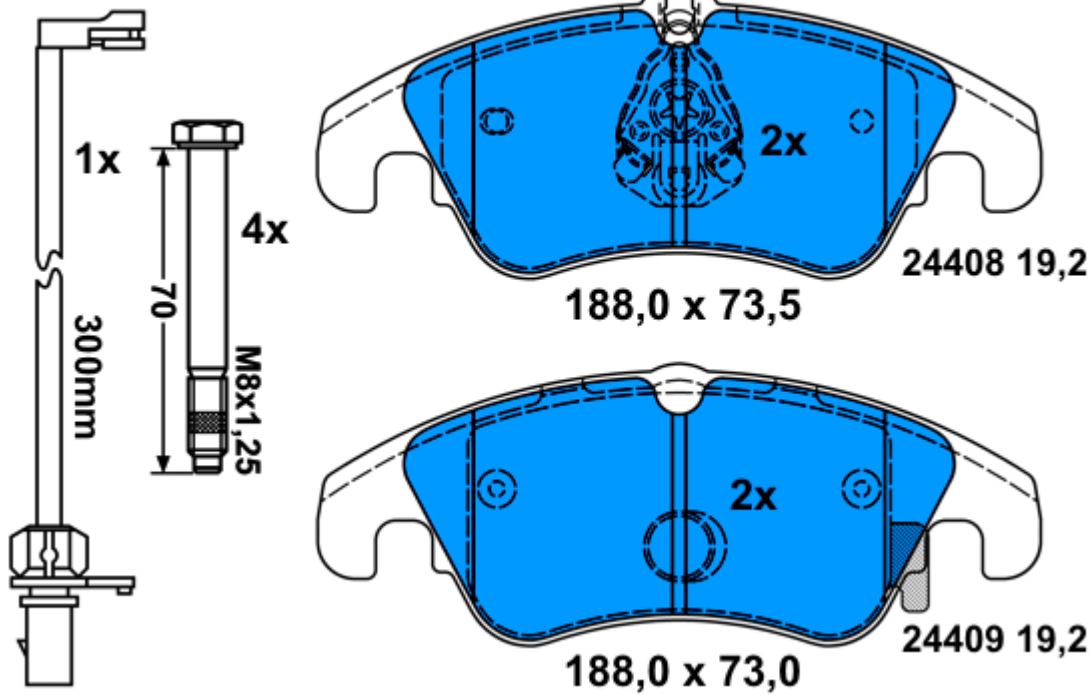
## General applications - Details see Detail List

VOLVO S80 II (06-)  
VOLVO V70 III (07-)  
VOLVO XC70 II CROSS COUNTRY (07-)

# NEW ATE PAD ON STOCK



13.0460-2746.2 602746



## General applications - Details see Detail List

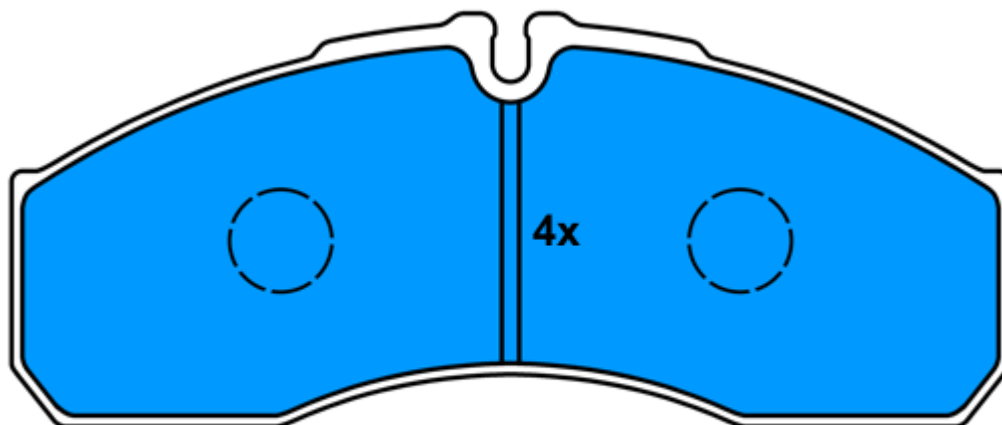
AUDI A4 (B8) Avant (08-)  
AUDI A4 (B8) Limousine (07-)  
AUDI A4 Allroad (09-)  
AUDI A5 Cabrio (09-)  
AUDI A5 Coupe (07-)



# NEW ATE PAD ON STOCK

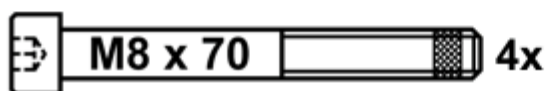


13.0460-4847.2 604847



164,6 x 68,0

29160 20,3



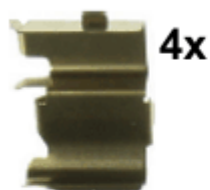
## General applications - Details see Detail List

IVECO DAILY II (99-06)  
RENAULT MASCOTT (99-04)

# NEW ATE PAD ON STOCK



13.0460-5606.2 605606



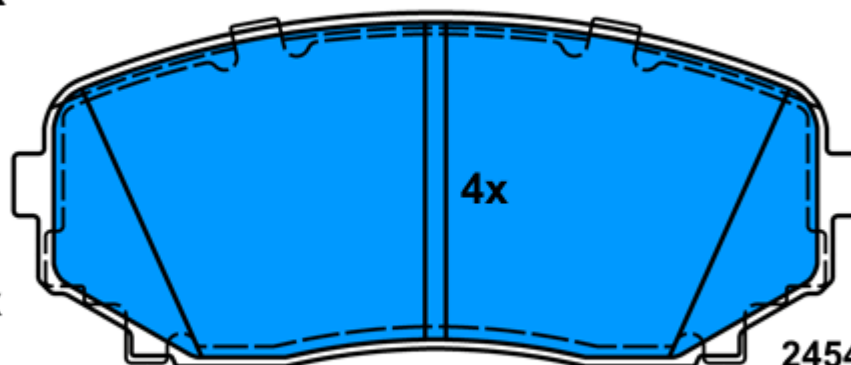
4x



4x



2x



4x

24544 18,1

138,9 x 58,0

**General applications - Details see Detail List**

MAZDA CX-7 (07-)

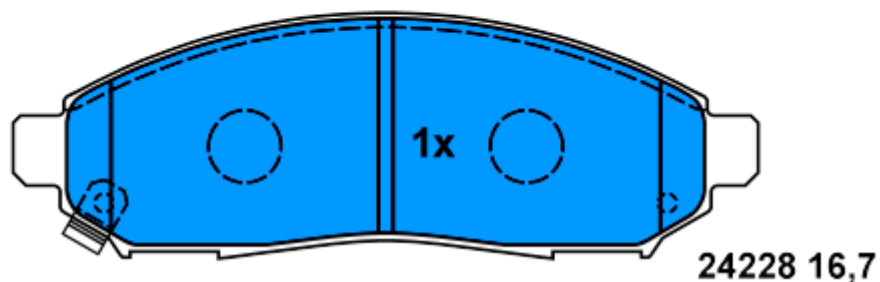
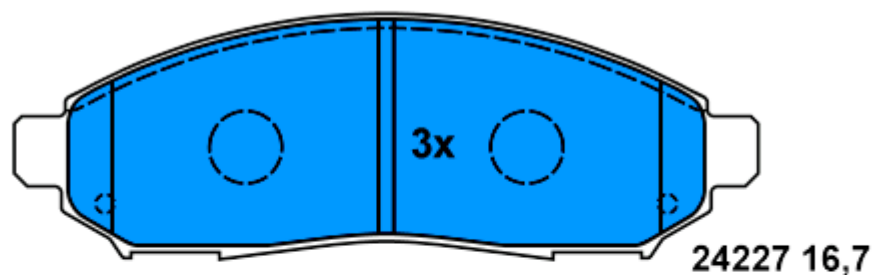




# NEW ATE PAD ON STOCK



13.0460-5783.2 605783



163,7 x 54,2

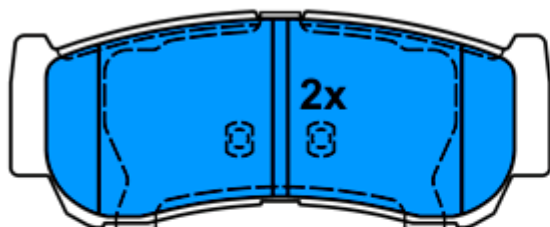
## General applications - Details see Detail List

NISSAN NAVARA (D40M) (05-)  
NISSAN PATHFINDER (R51M) (05-)

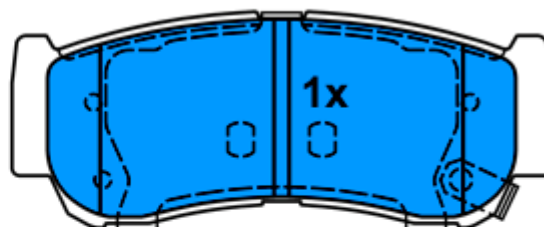
# NEW ATE PAD ON STOCK



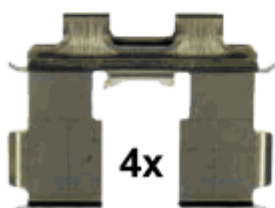
13.0460-5782.2 605782



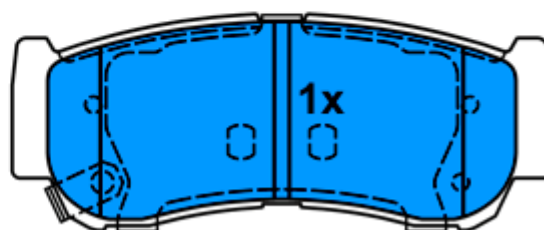
24488 15,6



24489 15,6



4x



24490 15,6

118,6 x 47,0

**General applications - Details see Detail List**

HYUNDAI SANTA FE (06-)

