

New partnumbers on stock
according to applications



02/2010



www.ate.de

New partnumbers on stock - according to applications

02/2010



				Description	OE numbers per ATE pn.	 e.g. replaced pn. / miscellaneous
--	--	--	--	--------------------	-------------------------------	---------------------------------------

AUDI

Q7 (06-)	3,0 TDI		10.2007		13.0460-4850.2	604850	BRAKE PADS	955 352 939 62 , 7L0 698 451 E	see drawing
			03.2006	10.2007	13.0460-4850.2	604850	BRAKE PADS	955 352 939 62 , 7L0 698 451 E	see drawing
			03.2006		13.0460-4850.2	604850	BRAKE PADS	955 352 939 62 , 7L0 698 451 E	see drawing
	3,6 FSI		08.2006		13.0460-4850.2	604850	BRAKE PADS	955 352 939 62 , 7L0 698 451 E	see drawing
	4,2 FSI		03.2006		13.0460-4850.2	604850	BRAKE PADS	955 352 939 62 , 7L0 698 451 E	see drawing
	4,2 TDI		03.2007		13.0460-4850.2	604850	BRAKE PADS	955 352 939 62 , 7L0 698 451 E	see drawing

New partnumbers on stock - according to applications

02/2010



					Description	OE numbers per ATE pn.	e.g. replaced pn. / miscellaneous
--	--	--	--	--	-------------	------------------------	-----------------------------------

BMW

1 series/E81/E87 Saloon (04-)	120 d		09.2004	03.2007	11.8116-0206.1	390593	GEHAEUSE-HALTEFEDER	34 11 1 163 801 , 5W93 2B486-AB , 4778606 , LR002526 , 30671546	
	120 i		09.2004	08.2005	11.8116-0206.1	390593	GEHAEUSE-HALTEFEDER	34 11 1 163 801 , 5W93 2B486-AB , 4778606 , LR002526 , 30671546	
3 series/E36 (91-00)	316 g Compact		12.1995	08.2000	11.8116-0206.1	390593	GEHAEUSE-HALTEFEDER	34 11 1 163 801 , 5W93 2B486-AB , 4778606 , LR002526 , 30671546	
	316 i		12.1990	02.1998	11.8116-0206.1	390593	GEHAEUSE-HALTEFEDER	34 11 1 163 801 , 5W93 2B486-AB , 4778606 , LR002526 , 30671546	
	316 i Compact 1,6		09.1993	08.2000	11.8116-0206.1	390593	GEHAEUSE-HALTEFEDER	34 11 1 163 801 , 5W93 2B486-AB , 4778606 , LR002526 , 30671546	
	316 i Compact 1,9		12.1998	08.2000	11.8116-0206.1	390593	GEHAEUSE-HALTEFEDER	34 11 1 163 801 , 5W93 2B486-AB , 4778606 , LR002526 , 30671546	
	316 i Coupe		03.1993	04.1999	11.8116-0206.1	390593	GEHAEUSE-HALTEFEDER	34 11 1 163 801 , 5W93 2B486-AB , 4778606 , LR002526 , 30671546	
	316 i Touring		05.1997	10.1999	11.8116-0206.1	390593	GEHAEUSE-HALTEFEDER	34 11 1 163 801 , 5W93 2B486-AB , 4778606 , LR002526 , 30671546	
	318 i		12.1990	02.1998	11.8116-0206.1	390593	GEHAEUSE-HALTEFEDER	34 11 1 163 801 , 5W93 2B486-AB , 4778606 , LR002526 , 30671546	
	318 i Cabrio		11.1993	04.1999	11.8116-0206.1	390593	GEHAEUSE-HALTEFEDER	34 11 1 163 801 , 5W93 2B486-AB , 4778606 , LR002526 , 30671546	

New partnumbers on stock - according to applications

02/2010



					Description	OE numbers per ATE pn.	 e.g. replaced pn. / miscellaneous
---	---	---	---	---	-------------	------------------------	--

BMW

3 series/E36 (91-00)	318 i Touring		02.1995	10.1999	11.8116-0206.1	390593	GEHAEUSE-HALTEFEDER	34 11 1 163 801 , 5W93 2B486-AB , 4778606 , LR002526 , 30671546	
	318 tds		01.1994	02.1998	11.8116-0206.1	390593	GEHAEUSE-HALTEFEDER	34 11 1 163 801 , 5W93 2B486-AB , 4778606 , LR002526 , 30671546	
	318 tds Compact		04.1994	08.2000	11.8116-0206.1	390593	GEHAEUSE-HALTEFEDER	34 11 1 163 801 , 5W93 2B486-AB , 4778606 , LR002526 , 30671546	
	318 tds Touring		10.1994	10.1999	11.8116-0206.1	390593	GEHAEUSE-HALTEFEDER	34 11 1 163 801 , 5W93 2B486-AB , 4778606 , LR002526 , 30671546	
	318 ti Compact		04.1994	03.1998	11.8116-0206.1	390593	GEHAEUSE-HALTEFEDER	34 11 1 163 801 , 5W93 2B486-AB , 4778606 , LR002526 , 30671546	
3 series/E46 (98-06)	325 i	FL	10.2000	02.2005	24.3571-1733.5	240349	FIST CALIPER	34 11 6 750 149 , 34 11 6 765 881 , SEG000050	11.9571-9797.2
		FR	10.2000	02.2005	24.3571-1734.5	240350	FIST CALIPER	34 11 6 750 150 , 34 11 6 765 882 , SEG000040	11.9571-9798.2
	325 xi	FR	10.2000	02.2005	24.3571-1734.5	240350	FIST CALIPER	34 11 6 750 150 , 34 11 6 765 882 , SEG000040	11.9571-9798.2
		FL	10.2000	02.2005	24.3571-1733.5	240349	FIST CALIPER	34 11 6 750 149 , 34 11 6 765 881 , SEG000050	11.9571-9797.2
	330 Cd Cabrio	FR	05.2005	12.2006	24.3571-1734.5	240350	FIST CALIPER	34 11 6 750 150 , 34 11 6 765 882 , SEG000040	11.9571-9798.2
		FL	05.2005	12.2006	24.3571-1733.5	240349	FIST CALIPER	34 11 6 750 149 , 34 11 6 765 881 , SEG000050	11.9571-9797.2
	330 Cd Coupe	FL	03.2003	08.2006	24.3571-1733.5	240349	FIST CALIPER	34 11 6 750 149 , 34 11 6 765 881 , SEG000050	11.9571-9797.2

New partnumbers on stock - according to applications

02/2010



					Description	OE numbers per ATE pn.		e.g. replaced pn. / miscellaneous
--	--	--	--	--	-------------	------------------------	--	-----------------------------------

BMW

3 series/E46 (98-06)	330 Cd Coupe	FR	03.2003	08.2006	24.3571-1734.5	240350	FIST CALIPER	34 11 6 750 150 , 34 11 6 765 882 , SEG000040	11.9571-9798.2
	330 Ci Cabrio	FR	09.2000	12.2006	24.3571-1734.5	240350	FIST CALIPER	34 11 6 750 150 , 34 11 6 765 882 , SEG000040	11.9571-9798.2
		FL	09.2000	12.2006	24.3571-1733.5	240349	FIST CALIPER	34 11 6 750 149 , 34 11 6 765 881 , SEG000050	11.9571-9797.2
	330 Ci Coupe	FR	09.2000	08.2006	24.3571-1734.5	240350	FIST CALIPER	34 11 6 750 150 , 34 11 6 765 882 , SEG000040	11.9571-9798.2
		FL	09.2000	08.2006	24.3571-1733.5	240349	FIST CALIPER	34 11 6 750 149 , 34 11 6 765 881 , SEG000050	11.9571-9797.2
	330 d	FL	10.1999	02.2005	24.3571-1733.5	240349	FIST CALIPER	34 11 6 750 149 , 34 11 6 765 881 , SEG000050	11.9571-9797.2
		FR	10.1999	02.2005	24.3571-1734.5	240350	FIST CALIPER	34 11 6 750 150 , 34 11 6 765 882 , SEG000040	11.9571-9798.2
	330 d Touring	FL	03.2000	07.2005	24.3571-1733.5	240349	FIST CALIPER	34 11 6 750 149 , 34 11 6 765 881 , SEG000050	11.9571-9797.2
		FR	03.2000	07.2005	24.3571-1734.5	240350	FIST CALIPER	34 11 6 750 150 , 34 11 6 765 882 , SEG000040	11.9571-9798.2
	330 i	FR	09.2000	02.2005	24.3571-1734.5	240350	FIST CALIPER	34 11 6 750 150 , 34 11 6 765 882 , SEG000040	11.9571-9798.2
		FL	09.2000	02.2005	24.3571-1733.5	240349	FIST CALIPER	34 11 6 750 149 , 34 11 6 765 881 , SEG000050	11.9571-9797.2
	330 i Touring	FR	09.2000	07.2005	24.3571-1734.5	240350	FIST CALIPER	34 11 6 750 150 , 34 11 6 765 882 , SEG000040	11.9571-9798.2
		FL	09.2000	07.2005	24.3571-1733.5	240349	FIST CALIPER	34 11 6 750 149 , 34 11 6 765 881 , SEG000050	11.9571-9797.2

New partnumbers on stock - according to applications

02/2010



					Description	OE numbers per ATE pn.	 e.g. replaced pn. / miscellaneous
--	--	--	--	--	-------------	------------------------	---------------------------------------

BMW

3 series/E46 (98-06)	330 xd	FR	10.1999	02.2005	24.3571-1734.5	240350	FIST CALIPER	34 11 6 750 150 , 34 11 6 765 882 , SEG000040	11.9571-9798.2
		FL	10.1999	02.2005	24.3571-1733.5	240349	FIST CALIPER	34 11 6 750 149 , 34 11 6 765 881 , SEG000050	11.9571-9797.2
	330 xd Touring	FL	03.2000	07.2005	24.3571-1733.5	240349	FIST CALIPER	34 11 6 750 149 , 34 11 6 765 881 , SEG000050	11.9571-9797.2
		FR	03.2000	07.2005	24.3571-1734.5	240350	FIST CALIPER	34 11 6 750 150 , 34 11 6 765 882 , SEG000040	11.9571-9798.2
	330 xi	FR	09.2000	02.2005	24.3571-1734.5	240350	FIST CALIPER	34 11 6 750 150 , 34 11 6 765 882 , SEG000040	11.9571-9798.2
		FL	09.2000	02.2005	24.3571-1733.5	240349	FIST CALIPER	34 11 6 750 149 , 34 11 6 765 881 , SEG000050	11.9571-9797.2
	330 xi Touring	FR	09.2000	07.2005	24.3571-1734.5	240350	FIST CALIPER	34 11 6 750 150 , 34 11 6 765 882 , SEG000040	11.9571-9798.2
		FL	09.2000	07.2005	24.3571-1733.5	240349	FIST CALIPER	34 11 6 750 149 , 34 11 6 765 881 , SEG000050	11.9571-9797.2
3 series/E90 Saloon (05-)	316 i		01.2005	08.2007	11.8116-0206.1	390593	GEHAEUSE-HALTEFEDER	34 11 1 163 801 , 5W93 2B486-AB , 4778606 , LR002526 , 30671546	
	318 d		09.2005	08.2007	11.8116-0206.1	390593	GEHAEUSE-HALTEFEDER	34 11 1 163 801 , 5W93 2B486-AB , 4778606 , LR002526 , 30671546	
	318 i		09.2005	08.2007	11.8116-0206.1	390593	GEHAEUSE-HALTEFEDER	34 11 1 163 801 , 5W93 2B486-AB , 4778606 , LR002526 , 30671546	
	320 i		12.2004	08.2007	11.8116-0206.1	390593	GEHAEUSE-HALTEFEDER	34 11 1 163 801 , 5W93 2B486-AB , 4778606 , LR002526 , 30671546	

New partnumbers on stock - according to applications

02/2010



					Description	OE numbers per ATE pn.	 e.g. replaced pn. / miscellaneous
--	--	--	--	--	-------------	------------------------	---------------------------------------







BMW

7 series/E65-66 (02-08)	730 d		03.2005	08.2008	24.0124-0213.1	424213	BRAKE DISC	34 21 6 765 889	
	730 Ld		03.2005	08.2008	24.0124-0213.1	424213	BRAKE DISC	34 21 6 765 889	
	740 i,Li		03.2005	08.2008	24.0124-0213.1	424213	BRAKE DISC	34 21 6 765 889	
	750 i		03.2005	08.2008	24.0124-0213.1	424213	BRAKE DISC	34 21 6 765 889	
	750 Li		03.2005	08.2008	24.0124-0213.1	424213	BRAKE DISC	34 21 6 765 889	
X3 (03-)	2,0 d	FR	08.2004		24.3571-1734.5	240350	FIST CALIPER	34 11 6 750 150 , 34 11 6 765 882 , SEG000040	11.9571-9798.2
		FL	09.2007		24.3571-1733.5	240349	FIST CALIPER	34 11 6 750 149 , 34 11 6 765 881 , SEG000050	11.9571-9797.2
		FL	08.2004		24.3571-1733.5	240349	FIST CALIPER	34 11 6 750 149 , 34 11 6 765 881 , SEG000050	11.9571-9797.2
		FR	09.2007		24.3571-1734.5	240350	FIST CALIPER	34 11 6 750 150 , 34 11 6 765 882 , SEG000040	11.9571-9798.2
	2,0 i	FL	07.2005		24.3571-1733.5	240349	FIST CALIPER	34 11 6 750 149 , 34 11 6 765 881 , SEG000050	11.9571-9797.2
		FR	07.2005		24.3571-1734.5	240350	FIST CALIPER	34 11 6 750 150 , 34 11 6 765 882 , SEG000040	11.9571-9798.2
	2,5 i	FR	03.2004	08.2006	24.3571-1734.5	240350	FIST CALIPER	34 11 6 750 150 , 34 11 6 765 882 , SEG000040	11.9571-9798.2
		FL	03.2004	08.2006	24.3571-1733.5	240349	FIST CALIPER	34 11 6 750 149 , 34 11 6 765 881 , SEG000050	11.9571-9797.2
	2,5 si	FR	09.2006		24.3571-1734.5	240350	FIST CALIPER	34 11 6 750 150 , 34 11 6 765 882 , SEG000040	11.9571-9798.2
		FL	09.2006		24.3571-1733.5	240349	FIST CALIPER	34 11 6 750 149 , 34 11 6 765 881 , SEG000050	11.9571-9797.2

New partnumbers on stock - according to applications

02/2010



					Description	OE numbers per ATE pn.	 e.g. replaced pn. / miscellaneous
---	---	---	---	---	-------------	------------------------	--

BMW

X3 (03-)	3,0 d	FR	10.2003	08.2006	24.3571-1734.5	240350	FIST CALIPER	34 11 6 750 150 , 34 11 6 765 882 , SEG000040	11.9571-9798.2
		FL	10.2003	08.2006	24.3571-1733.5	240349	FIST CALIPER	34 11 6 750 149 , 34 11 6 765 881 , SEG000050	11.9571-9797.2
		FR	01.2004		24.3571-1734.5	240350	FIST CALIPER	34 11 6 750 150 , 34 11 6 765 882 , SEG000040	11.9571-9798.2
		FL	01.2004		24.3571-1733.5	240349	FIST CALIPER	34 11 6 750 149 , 34 11 6 765 881 , SEG000050	11.9571-9797.2
	3,0 i	FR	10.2003	08.2006	24.3571-1734.5	240350	FIST CALIPER	34 11 6 750 150 , 34 11 6 765 882 , SEG000040	11.9571-9798.2
		FL	10.2003	08.2006	24.3571-1733.5	240349	FIST CALIPER	34 11 6 750 149 , 34 11 6 765 881 , SEG000050	11.9571-9797.2
	3,0 si	FR	09.2006		24.3571-1734.5	240350	FIST CALIPER	34 11 6 750 150 , 34 11 6 765 882 , SEG000040	11.9571-9798.2
		FL	09.2006		24.3571-1733.5	240349	FIST CALIPER	34 11 6 750 149 , 34 11 6 765 881 , SEG000050	11.9571-9797.2
Z3 (95-02)	1,8		10.1995	10.1998	11.8116-0206.1	390593	GEHAEUSE-HALTEFEDER	34 11 1 163 801 , 5W93 2B486-AB , 4778606 , LR002526 , 30671546	
	1,9		10.1995	12.2002	11.8116-0206.1	390593	GEHAEUSE-HALTEFEDER	34 11 1 163 801 , 5W93 2B486-AB , 4778606 , LR002526 , 30671546	
Z4 Coupe/E86 (06-)	3,0 si	FL	03.2006		24.3571-1733.5	240349	FIST CALIPER	34 11 6 750 149 , 34 11 6 765 881 , SEG000050	11.9571-9797.2
		FR	03.2006		24.3571-1734.5	240350	FIST CALIPER	34 11 6 750 150 , 34 11 6 765 882 , SEG000040	11.9571-9798.2
Z4 Roadster/E85 (03-08)		FR	01.2006	12.2008	24.3571-1734.5	240350	FIST CALIPER	34 11 6 750 150 , 34 11 6 765 882 , SEG000040	11.9571-9798.2

New partnumbers on stock - according to applications

02/2010



				<p>Description</p>	<p>OE numbers per ATE pn.</p>	 <p>e.g. replaced pn. / miscellaneous</p>
---	---	--	---	--------------------	-----------------------------------	---

BMW

Z4 Roadster/E85 (03-08)	3,0 si	FL	01.2006	12.2008	24.3571-1733.5	240349	FIST CALIPER	34 11 6 750 149 , 34 11 6 765 881 , SEG000050	11.9571-9797.2
-------------------------	--------	----	---------	---------	----------------	--------	--------------	--	----------------

New partnumbers on stock - according to applications

02/2010



					Description	OE numbers per ATE pn.	 e.g. replaced pn. / miscellaneous
---	---	---	---	---	-------------	------------------------	--

CITROEN

C2 (03-)	1,1 i				24.2122-1764.3	010851	TANDEM MASTER CYL.	4601 R0	
			09.2003		24.2122-1764.3	010851	TANDEM MASTER CYL.	4601 R0	
	1,4 HDi				24.2122-1764.3	010851	TANDEM MASTER CYL.	4601 R0	
			09.2003		24.2122-1764.3	010851	TANDEM MASTER CYL.	4601 R0	
	1,4 i				24.2122-1764.3	010851	TANDEM MASTER CYL.	4601 R0	
			09.2003		24.2122-1764.3	010851	TANDEM MASTER CYL.	4601 R0	
	1,6 16V		09.2003		24.2122-1764.3	010851	TANDEM MASTER CYL.	4601 R0	
	1,6 VTS		01.2005		24.2122-1764.3	010851	TANDEM MASTER CYL.	4601 R0	
C3 (02-09)	1,1 i			08.2009	24.2122-1764.3	010851	TANDEM MASTER CYL.	4601 R0	
			02.2002		24.2122-1764.3	010851	TANDEM MASTER CYL.	4601 R0	
	1,4 16V		12.2003		24.2122-1764.3	010851	TANDEM MASTER CYL.	4601 R0	
	1,4 16V HDi 90			08.2009	24.2122-1764.3	010851	TANDEM MASTER CYL.	4601 R0	
			02.2002		24.2122-1764.3	010851	TANDEM MASTER CYL.	4601 R0	
	1,4 bivalent		09.2005		24.2122-1764.3	010851	TANDEM MASTER CYL.	4601 R0	
	1,4 HDi		02.2002		24.2122-1764.3	010851	TANDEM MASTER CYL.	4601 R0	
				08.2009	24.2122-1764.3	010851	TANDEM MASTER CYL.	4601 R0	
	1,4 i		02.2002		24.2122-1764.3	010851	TANDEM MASTER CYL.	4601 R0	
				08.2009	24.2122-1764.3	010851	TANDEM MASTER CYL.	4601 R0	
	1,6 16V		02.2002		24.2122-1764.3	010851	TANDEM MASTER CYL.	4601 R0	

New partnumbers on stock - according to applications

02/2010



					Description	OE numbers per ATE pn.		e.g. replaced pn. / miscellaneous
--	--	--	--	--	-------------	------------------------	--	-----------------------------------

CITROEN

C3 (02-09)	1,6 16V HDi 110		09.2005		24.2122-1764.3	010851	TANDEM MASTER CYL.	4601 R0	
	1,6 16V HDi 90		10.2005		24.2122-1764.3	010851	TANDEM MASTER CYL.	4601 R0	
C3 II (09-)	1,1				24.2122-1764.3	010851	TANDEM MASTER CYL.	4601 R0	
	1,4				24.2122-1764.3	010851	TANDEM MASTER CYL.	4601 R0	
C3 Pluriel (03-)	1,4 HDi		04.2004		24.2122-1764.3	010851	TANDEM MASTER CYL.	4601 R0	
	1,4 Hybrid		05.2005		24.2122-1764.3	010851	TANDEM MASTER CYL.	4601 R0	
	1,4 i		05.2003		24.2122-1764.3	010851	TANDEM MASTER CYL.	4601 R0	
	1,6 16V		05.2003		24.2122-1764.3	010851	TANDEM MASTER CYL.	4601 R0	
C4 Coupe (04-)	2,0 16V	FL			11.9571-9765.2	220663	FIST CALIPER	4400 R0 , 4400 T2	11.9571-9793.2
		FL	10.2004		11.9571-9765.2	220663	FIST CALIPER	4400 R0 , 4400 T2	11.9571-9793.2
	2,0 HDi 135	FL	10.2004		11.9571-9765.2	220663	FIST CALIPER	4400 R0 , 4400 T2	11.9571-9793.2
		FL			11.9571-9765.2	220663	FIST CALIPER	4400 R0 , 4400 T2	11.9571-9793.2
C4 Saloon (04-)	2,0 16V	FL	11.2004		11.9571-9765.2	220663	FIST CALIPER	4400 R0 , 4400 T2	11.9571-9793.2
	2,0 HDi	FL	07.2008		11.9571-9765.2	220663	FIST CALIPER	4400 R0 , 4400 T2	11.9571-9793.2
	2,0 HDi 135	FL	10.2004		11.9571-9765.2	220663	FIST CALIPER	4400 R0 , 4400 T2	11.9571-9793.2
EVASION (94-02)	1,8		05.1997	07.2002	11.8116-0073.1	390498	GEHAEUSE-HALTEFEDER	4427 70 , 9404427708 , V89BB 2B486-AA , 1661473 , JLM 2196 , 8969123 , 3344689 , 3546381	
			02.1996	12.1996	11.8116-0073.1	390498	GEHAEUSE-HALTEFEDER	4427 70 , 9404427708 , V89BB 2B486-AA , 1661473 , JLM 2196 , 8969123 , 3344689 , 3546381	

New partnumbers on stock - according to applications

02/2010



					Description	OE numbers per ATE pn.	 e.g. replaced pn. / miscellaneous
---	---	---	---	---	-------------	------------------------	--

CITROEN

Model	Engine	Start	End	ATE Part No.	ATE Part No.	Description	OE numbers	Notes
EVASION (94-02)	1,9 i	10.1995	12.1998	11.8116-0073.1	390498	GEHAEUSE-HALTEFEDER	4427 70 , 9404427708 , V89BB 2B486-AA , 1661473 , JLM 2196 , 8969123 , 3344689 , 3546381	
	1,9 TD	02.1995	07.2002	11.8116-0073.1	390498	GEHAEUSE-HALTEFEDER	4427 70 , 9404427708 , V89BB 2B486-AA , 1661473 , JLM 2196 , 8969123 , 3344689 , 3546381	
	2,0 16V	12.1998	07.2002	11.8116-0073.1	390498	GEHAEUSE-HALTEFEDER	4427 70 , 9404427708 , V89BB 2B486-AA , 1661473 , JLM 2196 , 8969123 , 3344689 , 3546381	
	2,0 HDi	08.1999	07.2002	11.8116-0073.1	390498	GEHAEUSE-HALTEFEDER	4427 70 , 9404427708 , V89BB 2B486-AA , 1661473 , JLM 2196 , 8969123 , 3344689 , 3546381	
	2,0 i	06.1994	07.2002	11.8116-0073.1	390498	GEHAEUSE-HALTEFEDER	4427 70 , 9404427708 , V89BB 2B486-AA , 1661473 , JLM 2196 , 8969123 , 3344689 , 3546381	
	2,0 TD	05.1997	07.2002	11.8116-0073.1	390498	GEHAEUSE-HALTEFEDER	4427 70 , 9404427708 , V89BB 2B486-AA , 1661473 , JLM 2196 , 8969123 , 3344689 , 3546381	
	2,0 Turbo	06.1994	07.2002	11.8116-0073.1	390498	GEHAEUSE-HALTEFEDER	4427 70 , 9404427708 , V89BB 2B486-AA , 1661473 , JLM 2196 , 8969123 , 3344689 , 3546381	
	2,1 TD	05.1996	07.2002	11.8116-0073.1	390498	GEHAEUSE-HALTEFEDER	4427 70 , 9404427708 , V89BB 2B486-AA , 1661473 , JLM 2196 , 8969123 , 3344689 , 3546381	
JUMPY (07-)	1,6 HDi 90	01.2007		03.0520-7122.3	697122	ATE TOPKIT	4242 21	

New partnumbers on stock - according to applications

02/2010



					Description	OE numbers per ATE pn.	 e.g. replaced pn. / miscellaneous
---	---	---	---	---	-------------	------------------------	--

CITROEN

SAXO (96-04)	1,4 i VTS		05.1996	03.2004	11.8116-0129.1	390591	GEHAEUSE-HALTEFEDER	4427 84 , 90421738 , 5 42 530	
	1,6		02.1996	04.2004	11.8116-0129.1	390591	GEHAEUSE-HALTEFEDER	4427 84 , 90421738 , 5 42 530	
			02.2001	04.2004	11.8116-0129.1	390591	GEHAEUSE-HALTEFEDER	4427 84 , 90421738 , 5 42 530	
			02.1996	06.2003	11.8116-0129.1	390591	GEHAEUSE-HALTEFEDER	4427 84 , 90421738 , 5 42 530	
	1,6 16V VTS		07.1996	03.2004	11.8116-0129.1	390591	GEHAEUSE-HALTEFEDER	4427 84 , 90421738 , 5 42 530	
	1,6 i		02.1996	03.2004	11.8116-0129.1	390591	GEHAEUSE-HALTEFEDER	4427 84 , 90421738 , 5 42 530	
	1,6 i VTS		09.2000	03.2004	11.8116-0129.1	390591	GEHAEUSE-HALTEFEDER	4427 84 , 90421738 , 5 42 530	
XSARA (N0) Coupe (97-05)	1,4 i		02.1998	08.2000	11.8116-0129.1	390591	GEHAEUSE-HALTEFEDER	4427 84 , 90421738 , 5 42 530	
	1,6 i		02.1998	08.2000	11.8116-0129.1	390591	GEHAEUSE-HALTEFEDER	4427 84 , 90421738 , 5 42 530	
	1,8 i		02.1998	08.2000	11.8116-0129.1	390591	GEHAEUSE-HALTEFEDER	4427 84 , 90421738 , 5 42 530	
			04.1997	08.2000	11.8116-0129.1	390591	GEHAEUSE-HALTEFEDER	4427 84 , 90421738 , 5 42 530	
	1,9 D		02.1998	08.2000	11.8116-0129.1	390591	GEHAEUSE-HALTEFEDER	4427 84 , 90421738 , 5 42 530	
	1,9 TD		02.1998	08.2000	11.8116-0129.1	390591	GEHAEUSE-HALTEFEDER	4427 84 , 90421738 , 5 42 530	

New partnumbers on stock - according to applications

02/2010



					Description	OE numbers per ATE pn.	
							e.g. replaced pn. / miscellaneous

CITROEN

XSARA (N1) Saloon (97-05)	1,4 i		04.1997	08.2000	11.8116-0129.1	390591	GEHAEUSE-HALTEFEDER	4427 84 , 90421738 , 5 42 530	
	1,5 D		04.1997	08.2000	11.8116-0129.1	390591	GEHAEUSE-HALTEFEDER	4427 84 , 90421738 , 5 42 530	
	1,6 i		04.1997	08.2000	11.8116-0129.1	390591	GEHAEUSE-HALTEFEDER	4427 84 , 90421738 , 5 42 530	
	1,8 D		04.1997	08.2000	11.8116-0129.1	390591	GEHAEUSE-HALTEFEDER	4427 84 , 90421738 , 5 42 530	
	1,8 i		04.1997	08.2000	11.8116-0129.1	390591	GEHAEUSE-HALTEFEDER	4427 84 , 90421738 , 5 42 530	
	1,8 TD		10.1997	08.2000	11.8116-0129.1	390591	GEHAEUSE-HALTEFEDER	4427 84 , 90421738 , 5 42 530	
	1,9 D		04.1997	08.2000	11.8116-0129.1	390591	GEHAEUSE-HALTEFEDER	4427 84 , 90421738 , 5 42 530	
			07.1998	08.2000	11.8116-0129.1	390591	GEHAEUSE-HALTEFEDER	4427 84 , 90421738 , 5 42 530	
	1,9 SD		01.1998	08.2000	11.8116-0129.1	390591	GEHAEUSE-HALTEFEDER	4427 84 , 90421738 , 5 42 530	
	1,9 TD		04.1997	08.2000	11.8116-0129.1	390591	GEHAEUSE-HALTEFEDER	4427 84 , 90421738 , 5 42 530	
XSARA (N2) Estate (97-05)	1,4 i		10.1997	08.2000	11.8116-0129.1	390591	GEHAEUSE-HALTEFEDER	4427 84 , 90421738 , 5 42 530	
	1,5 D		10.1997	08.2000	11.8116-0129.1	390591	GEHAEUSE-HALTEFEDER	4427 84 , 90421738 , 5 42 530	
	1,6 i		10.1997	08.2000	11.8116-0129.1	390591	GEHAEUSE-HALTEFEDER	4427 84 , 90421738 , 5 42 530	

New partnumbers on stock - according to applications

02/2010



		 		Description	OE numbers per ATE pn.	 e.g. replaced pn. / miscellaneous
---	---	---	---	--------------------	-------------------------------	--

CITROEN

XSARA (N2) Estate (97-05)	1,8 D		10.1997	08.2000	11.8116-0129.1	390591	GEHAEUSE-HALTEFEDER	4427 84 , 90421738 , 5 42 530	
	1,9 D		07.1998	08.2000	11.8116-0129.1	390591	GEHAEUSE-HALTEFEDER	4427 84 , 90421738 , 5 42 530	
			10.1997	08.2000	11.8116-0129.1	390591	GEHAEUSE-HALTEFEDER	4427 84 , 90421738 , 5 42 530	

New partnumbers on stock - according to applications

02/2010



					Description	OE numbers per ATE pn.	 e.g. replaced pn. / miscellaneous
---	---	---	---	---	-------------	------------------------	--

DAEWOO

Model	Engine	Configuration	Start Date	End Date	ATE Part No.	ATE Part No.	Description	OE numbers	Notes	
LANOS (97-02)	1,4 i	FL	05.1997		11.9481-9871.2	220681	FIST CALIPER	96192182 , 96226977 , 5 42 243 , 90421739	11.3481-8083.2	
		FR	05.1997		11.9481-9872.2	220682	FIST CALIPER	96192183 , 96226978 , 5 42 244 , 90421740	11.3481-8084.2	
				05.1997		11.8116-0129.1	390591	GEHAEUSE-HALTEFEDER	4427 84 , 90421738 , 5 42 530	
	1,5 i	FR	05.1997		11.9481-9872.2	220682	FIST CALIPER	96192183 , 96226978 , 5 42 244 , 90421740	11.3481-8084.2	
FL		05.1997		11.9481-9871.2	220681	FIST CALIPER	96192182 , 96226977 , 5 42 243 , 90421739	11.3481-8083.2		
			05.1997		11.8116-0129.1	390591	GEHAEUSE-HALTEFEDER	4427 84 , 90421738 , 5 42 530		
	1,6 i 16V		05.1997		11.8116-0097.1	390590	GEHAEUSE-HALTEFEDER	5 42 529 , 90297772		
NEXIA (95-97)	1,5 i	FR	02.1995	08.1997	11.9481-9872.2	220682	FIST CALIPER	96192183 , 96226978 , 5 42 244 , 90421740	11.3481-8084.2	
		FL	02.1995	08.1997	11.9481-9871.2	220681	FIST CALIPER	96192182 , 96226977 , 5 42 243 , 90421739	11.3481-8083.2	
				02.1995	08.1997	11.8116-0129.1	390591	GEHAEUSE-HALTEFEDER	4427 84 , 90421738 , 5 42 530	
		1,5 i 16V		02.1995	08.1997	11.8116-0097.1	390590	GEHAEUSE-HALTEFEDER	5 42 529 , 90297772	
	1,8 i		10.1995	08.1997	11.8116-0097.1	390590	GEHAEUSE-HALTEFEDER	5 42 529 , 90297772		

New partnumbers on stock - according to applications

02/2010



					Description	OE numbers per ATE pn.		e.g. replaced pn. / miscellaneous
--	--	--	--	--	-------------	------------------------	--	-----------------------------------

FIAT

PANDA (03-)	1,4 i 16V		11.2006		24.2122-1768.3	010853	TANDEM MASTER CYL.	77362384	
PUNTO (03-06)	1,3 JTD 16V		07.2003	11.2005	24.2122-1768.3	010853	TANDEM MASTER CYL.	77362384	
	1,4 i 16V		07.2003	11.2005	24.2122-1768.3	010853	TANDEM MASTER CYL.	77362384	
	1,8 i 16V		07.2003	11.2005	24.2122-1768.3	010853	TANDEM MASTER CYL.	77362384	
	1,9 JTD		07.2003	11.2005	24.2122-1768.3	010853	TANDEM MASTER CYL.	77362384	
SCUDO (07-)	1,6 JTD		01.2007		03.0520-7122.3	697122	ATE TOPKIT	4242 21	
ULYSSE (94-02)	1,8 i,e,		06.1996	07.2002	11.8116-0073.1	390498	GEHAEUSE-HALTEFEDER	4427 70 , 9404427708 , V89BB 2B486-AA , 1661473 , JLM 2196 , 8969123 , 3344689 , 3546381	
	1,9 TD		01.1995	07.2002	11.8116-0073.1	390498	GEHAEUSE-HALTEFEDER	4427 70 , 9404427708 , V89BB 2B486-AA , 1661473 , JLM 2196 , 8969123 , 3344689 , 3546381	
	2,0 i,e,		06.1994	07.2002	11.8116-0073.1	390498	GEHAEUSE-HALTEFEDER	4427 70 , 9404427708 , V89BB 2B486-AA , 1661473 , JLM 2196 , 8969123 , 3344689 , 3546381	
	2,0 i,e, Turbo		06.1994	07.2002	11.8116-0073.1	390498	GEHAEUSE-HALTEFEDER	4427 70 , 9404427708 , V89BB 2B486-AA , 1661473 , JLM 2196 , 8969123 , 3344689 , 3546381	
	2,0 JTD		10.1999	07.2002	11.8116-0073.1	390498	GEHAEUSE-HALTEFEDER	4427 70 , 9404427708 , V89BB 2B486-AA , 1661473 , JLM 2196 , 8969123 , 3344689 , 3546381	

New partnumbers on stock - according to applications

02/2010



	i				Description	OE numbers per ATE pn.	i e.g. replaced pn. / miscellaneous
--	----------	--	--	--	--------------------	-------------------------------	---

FIAT

ULYSSE (94-02)	2,1 TD		06.1996	10.1999	11.8116-0073.1	390498	GEHAEUSE-HALTEFEDER	4427 70 , 9404427708 , V89BB 2B486-AA , 1661473 , JLM 2196 , 8969123 , 3344689 , 3546381	
----------------	--------	--	---------	---------	----------------	--------	---------------------	---	--

New partnumbers on stock - according to applications

02/2010



					Description	OE numbers per ATE pn.		e.g. replaced pn. / miscellaneous
--	--	--	--	--	-------------	------------------------	--	-----------------------------------

FORD

ESCORT / ORION (91-94)	2,0 RS Cosworth T,		09.1992	01.1995	11.8116-0073.1	390498	GEHAEUSE-HALTEFEDER	4427 70 , 9404427708 , V89BB 2B486-AA , 1661473 , JLM 2196 , 8969123 , 3344689 , 3546381	
ESCORT VII (95-99)	2,0 i 16V Cosworth		02.1995	12.1995	11.8116-0073.1	390498	GEHAEUSE-HALTEFEDER	4427 70 , 9404427708 , V89BB 2B486-AA , 1661473 , JLM 2196 , 8969123 , 3344689 , 3546381	
GALAXY II (06-)	1,8 TDCi		04.2006		11.8116-0206.1	390593	GEHAEUSE-HALTEFEDER	34 11 1 163 801 , 5W93 2B486-AB , 4778606 , LR002526 , 30671546	
	2,0 i 16V		04.2006		11.8116-0206.1	390593	GEHAEUSE-HALTEFEDER	34 11 1 163 801 , 5W93 2B486-AB , 4778606 , LR002526 , 30671546	
	2,0 TDCi		04.2006		11.8116-0206.1	390593	GEHAEUSE-HALTEFEDER	34 11 1 163 801 , 5W93 2B486-AB , 4778606 , LR002526 , 30671546	
			10.2007		11.8116-0206.1	390593	GEHAEUSE-HALTEFEDER	34 11 1 163 801 , 5W93 2B486-AB , 4778606 , LR002526 , 30671546	
	2,2 TDCi		04.2008		11.8116-0206.1	390593	GEHAEUSE-HALTEFEDER	34 11 1 163 801 , 5W93 2B486-AB , 4778606 , LR002526 , 30671546	
	2,3 i 16V		07.2007		11.8116-0206.1	390593	GEHAEUSE-HALTEFEDER	34 11 1 163 801 , 5W93 2B486-AB , 4778606 , LR002526 , 30671546	
MONDEO IV (07-)	1,6 Ti VCT		04.2007		11.8116-0206.1	390593	GEHAEUSE-HALTEFEDER	34 11 1 163 801 , 5W93 2B486-AB , 4778606 , LR002526 , 30671546	
	1,8 TDCi		04.2007		11.8116-0206.1	390593	GEHAEUSE-HALTEFEDER	34 11 1 163 801 , 5W93 2B486-AB , 4778606 , LR002526 , 30671546	

New partnumbers on stock - according to applications

02/2010



					Description	OE numbers per ATE pn.	 e.g. replaced pn. / miscellaneous
---	---	---	---	---	-------------	------------------------	--

FORD

MONDEO IV (07-)	2,0 Flexifuel		03.2007		11.8116-0206.1	390593	GEHAEUSE-HALTEFEDER	34 11 1 163 801 , 5W93 2B486-AB , 4778606 , LR002526 , 30671546	
	2,0 i 16V		04.2007		11.8116-0206.1	390593	GEHAEUSE-HALTEFEDER	34 11 1 163 801 , 5W93 2B486-AB , 4778606 , LR002526 , 30671546	
	2,0 TDCi		04.2007		11.8116-0206.1	390593	GEHAEUSE-HALTEFEDER	34 11 1 163 801 , 5W93 2B486-AB , 4778606 , LR002526 , 30671546	
			10.2007		11.8116-0206.1	390593	GEHAEUSE-HALTEFEDER	34 11 1 163 801 , 5W93 2B486-AB , 4778606 , LR002526 , 30671546	
			03.2009		11.8116-0206.1	390593	GEHAEUSE-HALTEFEDER	34 11 1 163 801 , 5W93 2B486-AB , 4778606 , LR002526 , 30671546	
	2,2 TDCi		04.2008		11.8116-0206.1	390593	GEHAEUSE-HALTEFEDER	34 11 1 163 801 , 5W93 2B486-AB , 4778606 , LR002526 , 30671546	
	2,3 i 16V		07.2007		11.8116-0206.1	390593	GEHAEUSE-HALTEFEDER	34 11 1 163 801 , 5W93 2B486-AB , 4778606 , LR002526 , 30671546	
	2,5 i 20V		04.2007		11.8116-0206.1	390593	GEHAEUSE-HALTEFEDER	34 11 1 163 801 , 5W93 2B486-AB , 4778606 , LR002526 , 30671546	
SCORPIO / GRANADA (GB) (85-91)	2,9 i 24V		01.1991	01.1992	11.8116-0073.1	390498	GEHAEUSE-HALTEFEDER	4427 70 , 9404427708 , V89BB 2B486-AA , 1661473 , JLM 2196 , 8969123 , 3344689 , 3546381	
SCORPIO / GRANADA (GB) (92-94)			02.1992	09.1994	11.8116-0073.1	390498	GEHAEUSE-HALTEFEDER	4427 70 , 9404427708 , V89BB 2B486-AA , 1661473 , JLM 2196 , 8969123 , 3344689 , 3546381	

New partnumbers on stock - according to applications

02/2010



					Description	OE numbers per ATE pn.	 e.g. replaced pn. / miscellaneous
---	---	---	---	---	-------------	------------------------	--

FORD

S-MAX (06-)	1,8 TDCi		04.2006		11.8116-0206.1	390593	GEHAEUSE-HALTEFEDER	34 11 1 163 801 , 5W93 2B486-AB , 4778606 , LR002526 , 30671546	
	2,0 i 16V		04.2006		11.8116-0206.1	390593	GEHAEUSE-HALTEFEDER	34 11 1 163 801 , 5W93 2B486-AB , 4778606 , LR002526 , 30671546	
	2,0 TDCi		04.2006		11.8116-0206.1	390593	GEHAEUSE-HALTEFEDER	34 11 1 163 801 , 5W93 2B486-AB , 4778606 , LR002526 , 30671546	
			10.2007		11.8116-0206.1	390593	GEHAEUSE-HALTEFEDER	34 11 1 163 801 , 5W93 2B486-AB , 4778606 , LR002526 , 30671546	
	2,2 TDCi		04.2008		11.8116-0206.1	390593	GEHAEUSE-HALTEFEDER	34 11 1 163 801 , 5W93 2B486-AB , 4778606 , LR002526 , 30671546	
	2,3 i 16V		07.2007		11.8116-0206.1	390593	GEHAEUSE-HALTEFEDER	34 11 1 163 801 , 5W93 2B486-AB , 4778606 , LR002526 , 30671546	

New partnumbers on stock - according to applications

02/2010



					Description	OE numbers per ATE pn.		e.g. replaced pn. / miscellaneous
--	--	--	--	--	-------------	------------------------	--	-----------------------------------

HONDA

ACCORD Estate (03-08)	2,0 i 16V (CM1)		04.2003	05.2008	11.8116-0274.1	390516	GEHAEUSE-HALTEFEDER	34 11 1 512 715 , 45005-SEA-E01 , 41186-9F500	
	2,2 CTDi (CN2)		01.2004	05.2008	11.8116-0274.1	390516	GEHAEUSE-HALTEFEDER	34 11 1 512 715 , 45005-SEA-E01 , 41186-9F500	
	2,4 i 16V (CM2)		04.2003	05.2008	11.8116-0274.1	390516	GEHAEUSE-HALTEFEDER	34 11 1 512 715 , 45005-SEA-E01 , 41186-9F500	
ACCORD Saloon (03-08)	2,0 i 16V (CL7)		02.2003	05.2008	11.8116-0274.1	390516	GEHAEUSE-HALTEFEDER	34 11 1 512 715 , 45005-SEA-E01 , 41186-9F500	
	2,2 CTDi (CN1)		01.2004	05.2008	11.8116-0274.1	390516	GEHAEUSE-HALTEFEDER	34 11 1 512 715 , 45005-SEA-E01 , 41186-9F500	
	2,4 i 16V (CL9)		02.2003	05.2008	11.8116-0274.1	390516	GEHAEUSE-HALTEFEDER	34 11 1 512 715 , 45005-SEA-E01 , 41186-9F500	
	2,4 VTEC (CM5)		04.2006	05.2008	11.8116-0274.1	390516	GEHAEUSE-HALTEFEDER	34 11 1 512 715 , 45005-SEA-E01 , 41186-9F500	
CIVIC (4-door) (01-05)	1,4 i 16V	FL	02.2001	12.2005	24.3541-1733.7	220705	FIST CALIPER	45019-S5A-J01 , 45019-S5A-J02	
	1,6 i 16V	FL	02.2001	12.2005	24.3541-1733.7	220705	FIST CALIPER	45019-S5A-J01 , 45019-S5A-J02	
CIVIC (5-door) (01-05)	1,4 i 16V (EU7)	FL	02.2001	12.2005	24.3541-1733.7	220705	FIST CALIPER	45019-S5A-J01 , 45019-S5A-J02	
	1,6 VTEC (EU8)	FL	02.2001	12.2005	24.3541-1733.7	220705	FIST CALIPER	45019-S5A-J01 , 45019-S5A-J02	
	1,7 CTDi (EU9)	FL	01.2002	12.2005	24.3541-1733.7	220705	FIST CALIPER	45019-S5A-J01 , 45019-S5A-J02	
CIVIC COUPE (01-04)	1,6 i 16V (EM6)	FL	02.2001	10.2004	24.3541-1733.7	220705	FIST CALIPER	45019-S5A-J01 , 45019-S5A-J02	

New partnumbers on stock - according to applications

02/2010



					Description	OE numbers per ATE pn.	 e.g. replaced pn. / miscellaneous
---	---	---	---	---	-------------	------------------------	--

HONDA

CIVIC COUPE (01-04)	1,7 i 16V (EM2)	FL	02.2001	10.2004	24.3541-1733.7	220705	FIST CALIPER	45019-S5A-J01 , 45019-S5A-J02	
	1,7 VTEC (EM2)	FL	02.2001	10.2004	24.3541-1733.7	220705	FIST CALIPER	45019-S5A-J01 , 45019-S5A-J02	
CR-V II (02-06)	2,0 i 16V		07.2002	09.2006	13.0460-5860.2	605860	BRAKE PADS	45022-S9A-A01 , 45022-S9A-E50 , 45022-S9A-E60	see drawing
	2,2 CTDi		02.2005	09.2006	13.0460-5860.2	605860	BRAKE PADS	45022-S9A-A01 , 45022-S9A-E50 , 45022-S9A-E60	see drawing
	2,4 VTEC		03.2002	09.2006	13.0460-5860.2	605860	BRAKE PADS	45022-S9A-A01 , 45022-S9A-E50 , 45022-S9A-E60	see drawing
JAZZ (02-07)	1,2 (GD5)		01.2004	09.2007	24.0121-0115.1	421115	BRAKE DISC	45251-SAA-G50	
	1,2 (GE2)		10.2005	09.2007	24.0121-0115.1	421115	BRAKE DISC	45251-SAA-G50	
	1,4 (GD1)		01.2004	09.2004	24.0121-0115.1	421115	BRAKE DISC	45251-SAA-G50	
	1,4 (GE3)		09.2005	09.2007	24.0121-0115.1	421115	BRAKE DISC	45251-SAA-G50	
			04.2005	09.2007	24.0121-0115.1	421115	BRAKE DISC	45251-SAA-G50	
	1,7 VTEC (GD3)		01.2004	09.2007	24.0121-0115.1	421115	BRAKE DISC	45251-SAA-G50	
JAZZ (07-)	1,4 iDSI (GE6)		10.2007		24.0121-0115.1	421115	BRAKE DISC	45251-SAA-G50	
	1,5 iDSI (GE8)		10.2007		24.0121-0115.1	421115	BRAKE DISC	45251-SAA-G50	

New partnumbers on stock - according to applications

02/2010



					Description	OE numbers per ATE pn.		e.g. replaced pn. / miscellaneous
--	--	--	--	--	-------------	------------------------	--	-----------------------------------

HYUNDAI

ATOS / AMICA (GB) (98-08)	1,0 i 12V	FR	09.2000	02.2008	24.5286-0341.3	330989	BRAKE HOSE	58732-02000 , 58732-02010 , 58732-02011	
		FR	01.1998	08.2000	24.5286-0341.3	330989	BRAKE HOSE	58732-02000 , 58732-02010 , 58732-02011	
		FL	01.1998	08.2000	24.5286-0340.3	330977	BRAKE HOSE	58731-02000 , 58731-02010 , 58731-02011	
		FL	09.2000	02.2008	24.5286-0340.3	330977	BRAKE HOSE	58731-02000 , 58731-02010 , 58731-02011	
	1,0 i 12V Prime	FR	09.1999	07.2003	24.5286-0341.3	330989	BRAKE HOSE	58732-02000 , 58732-02010 , 58732-02011	
		FR	09.2000	12.2005	24.5286-0341.3	330989	BRAKE HOSE	58732-02000 , 58732-02010 , 58732-02011	
		FL	09.2000	12.2005	24.5286-0340.3	330977	BRAKE HOSE	58731-02000 , 58731-02010 , 58731-02011	
		FL	09.1999	07.2003	24.5286-0340.3	330977	BRAKE HOSE	58731-02000 , 58731-02010 , 58731-02011	
	1,1 i 12V Prime	FL	08.2003	05.2005	24.5286-0340.3	330977	BRAKE HOSE	58731-02000 , 58731-02010 , 58731-02011	
		FR	08.2003	05.2005	24.5286-0341.3	330989	BRAKE HOSE	58732-02000 , 58732-02010 , 58732-02011	
GETZ (02-09)	1,1 i 12V	RR	09.2002	07.2005	24.5272-0205.3	330975	BRAKE HOSE	58738-1C000	
		RR	08.2005	02.2009	24.5272-0205.3	330975	BRAKE HOSE	58738-1C000	
	1,5 CRDi	RR	08.2005	02.2009	24.5272-0205.3	330975	BRAKE HOSE	58738-1C000	
	1,6 i 16V	RR	09.2002	07.2005	24.5272-0205.3	330975	BRAKE HOSE	58738-1C000	

New partnumbers on stock - according to applications

02/2010



	i				Description	OE numbers per ATE pn.	i e.g. replaced pn. / miscellaneous
---	----------	---	---	---	-------------	------------------------	---

HYUNDAI

110 (08-)	1,1 CRDi		01.2008		24.0110-0324.1	410324	BRAKE DISC	58411-0X500 , 58411-07300 , 58411-07500	
	1,1 i 12V		01.2008		24.0110-0324.1	410324	BRAKE DISC	58411-0X500 , 58411-07300 , 58411-07500	

New partnumbers on stock - according to applications

02/2010



					Description	OE numbers per ATE pn.	 e.g. replaced pn. / miscellaneous
---	---	---	---	---	-------------	------------------------	--

JAGUAR

XJ (X300) (94-97)	XJ12 6,0		11.1994	07.1997	11.8116-0073.1	390498	GEHAEUSE-HALTEFEDER	4427 70 , 9404427708 , V89BB 2B486-AA , 1661473 , JLM 2196 , 8969123 , 3344689 , 3546381	
	XJ6 3,2		11.1994	07.1997	11.8116-0073.1	390498	GEHAEUSE-HALTEFEDER	4427 70 , 9404427708 , V89BB 2B486-AA , 1661473 , JLM 2196 , 8969123 , 3344689 , 3546381	
	XJ6 4,0		11.1994	07.1997	11.8116-0073.1	390498	GEHAEUSE-HALTEFEDER	4427 70 , 9404427708 , V89BB 2B486-AA , 1661473 , JLM 2196 , 8969123 , 3344689 , 3546381	
	XJR 4,0 Kompressor		11.1994	07.1997	11.8116-0073.1	390498	GEHAEUSE-HALTEFEDER	4427 70 , 9404427708 , V89BB 2B486-AA , 1661473 , JLM 2196 , 8969123 , 3344689 , 3546381	
XJ (XJ 40,81) (86-94)	XJ 6 2,9		10.1986	08.1990	13.0460-7246.2	607246	BRAKE PADS	JLM 11114 , JLM 1833	see drawing
	XJ 6 3,2 24V		09.1990	11.1994	13.0460-7246.2	607246	BRAKE PADS	JLM 11114 , JLM 1833	see drawing
	XJ 6 3,6		10.1986	08.1989	13.0460-7246.2	607246	BRAKE PADS	JLM 11114 , JLM 1833	see drawing
	XJ 6 4,0		09.1989	11.1994	13.0460-7246.2	607246	BRAKE PADS	JLM 11114 , JLM 1833	see drawing
	XJ12 6,0		03.1993	11.1994	13.0460-7246.2	607246	BRAKE PADS	JLM 11114 , JLM 1833	see drawing
XJS (88-96)	XJS 4,0 Coupe		05.1991	09.1994	13.0460-7246.2	607246	BRAKE PADS	JLM 11114 , JLM 1833	see drawing
	XJS 5,3 Coupe		01.1988	08.1993	13.0460-7246.2	607246	BRAKE PADS	JLM 11114 , JLM 1833	see drawing
	XJS 6,0 Coupe		05.1993	03.1996	13.0460-7246.2	607246	BRAKE PADS	JLM 11114 , JLM 1833	see drawing

New partnumbers on stock - according to applications

02/2010



					Description	OE numbers per ATE pn.		e.g. replaced pn. / miscellaneous
--	--	--	--	--	-------------	------------------------	--	-----------------------------------

KIA

CARENS II (02-06)	1,6 i 16V		07.2002	04.2006	24.5285-0240.3	330976	BRAKE HOSE	OK2A3-43-810	
	1,8 i 16V		07.2002	04.2006	24.5285-0240.3	330976	BRAKE HOSE	OK2A3-43-810	
	2,0 CRDi		07.2002	04.2006	24.5285-0240.3	330976	BRAKE HOSE	OK2A3-43-810	
			11.2005	04.2006	24.5285-0240.3	330976	BRAKE HOSE	OK2A3-43-810	
	2,0 CVVT		08.2004	04.2006	24.5285-0240.3	330976	BRAKE HOSE	OK2A3-43-810	
MENTOR II (GB) (01-04)	1,6 i 16V		05.2001	08.2004	24.5285-0240.3	330976	BRAKE HOSE	OK2A3-43-810	
PICANTO (04-)	1		09.2005		24.0110-0324.1	410324	BRAKE DISC	58411-0X500 , 58411-07300 , 58411-07500	
	1,1		04.2004		24.0110-0324.1	410324	BRAKE DISC	58411-0X500 , 58411-07300 , 58411-07500	
	1,1 CRDi		11.2005		24.0110-0324.1	410324	BRAKE DISC	58411-0X500 , 58411-07300 , 58411-07500	
SEPHIA II (01-04)	1,6 i 16V		05.2001	08.2004	24.5285-0240.3	330976	BRAKE HOSE	OK2A3-43-810	
SHUMA I (97-01)	1,5 i 16V		10.1997	04.2001	24.5285-0240.3	330976	BRAKE HOSE	OK2A3-43-810	
	1,8 i 16V		10.1997	04.2001	24.5285-0240.3	330976	BRAKE HOSE	OK2A3-43-810	
SHUMA II (01-04)	1,6 i 16V		05.2001	08.2004	24.5285-0240.3	330976	BRAKE HOSE	OK2A3-43-810	
	1,8 i 16V		04.2003	08.2004	24.5285-0240.3	330976	BRAKE HOSE	OK2A3-43-810	

New partnumbers on stock - according to applications

02/2010



					Description	OE numbers per ATE pn.		e.g. replaced pn. / miscellaneous
--	--	--	--	--	-------------	------------------------	--	-----------------------------------

LANCIA

YPSILON (03-)	1,2 i 16V		06.2003		24.2122-1768.3	010853	TANDEM MASTER CYL.	77362384	
	1,3 JTD		06.2003		24.2122-1768.3	010853	TANDEM MASTER CYL.	77362384	
			07.2007		24.2122-1768.3	010853	TANDEM MASTER CYL.	77362384	
			10.2006		24.2122-1768.3	010853	TANDEM MASTER CYL.	77362384	
	1,4 i		02.2006		24.2122-1768.3	010853	TANDEM MASTER CYL.	77362384	
	1,4 i 16V		06.2003		24.2122-1768.3	010853	TANDEM MASTER CYL.	77362384	
ZETA (94-02)	2,0 i,e, 16V		05.1998	09.2002	11.8116-0073.1	390498	GEHAEUSE-HALTEFEDER	4427 70 , 9404427708 , V89BB 2B486-AA , 1661473 , JLM 2196 , 8969123 , 3344689 , 3546381	
	2,0 i,e, Turbo		06.1994	09.2002	11.8116-0073.1	390498	GEHAEUSE-HALTEFEDER	4427 70 , 9404427708 , V89BB 2B486-AA , 1661473 , JLM 2196 , 8969123 , 3344689 , 3546381	
	2,0 JTD		09.1999	09.2002	11.8116-0073.1	390498	GEHAEUSE-HALTEFEDER	4427 70 , 9404427708 , V89BB 2B486-AA , 1661473 , JLM 2196 , 8969123 , 3344689 , 3546381	
	2,1 TD		06.1996	09.1999	11.8116-0073.1	390498	GEHAEUSE-HALTEFEDER	4427 70 , 9404427708 , V89BB 2B486-AA , 1661473 , JLM 2196 , 8969123 , 3344689 , 3546381	

New partnumbers on stock - according to applications

02/2010



					Description	OE numbers per ATE pn.		e.g. replaced pn. / miscellaneous
--	--	--	--	--	-------------	------------------------	--	-----------------------------------

LAND ROVER

DISCOVERY II (94-04)	2,5 TD5		10.1998		13.0460-2720.2	602720	BRAKE PADS	STC1880 , STC3195 , STC3685 , SFP100460 , SFP100480 , SFP000210	see drawing
	4,0 V8		10.1998		13.0460-2720.2	602720	BRAKE PADS	STC1880 , STC3195 , STC3685 , SFP100460 , SFP100480 , SFP000210	see drawing
	4,6 V8		10.1998		13.0460-2720.2	602720	BRAKE PADS	STC1880 , STC3195 , STC3685 , SFP100460 , SFP100480 , SFP000210	see drawing
FREELANDER (LN) (98-07)	1,8i 16V			03.2007	13.0460-2718.2	602718	BRAKE PADS	SFP000020 , SFP500100	see drawing
	2,0 DI			03.2007	13.0460-2718.2	602718	BRAKE PADS	SFP000020 , SFP500100	see drawing
	2,0 TD4			03.2007	13.0460-2718.2	602718	BRAKE PADS	SFP000020 , SFP500100	see drawing
	2,5 V6			03.2007	13.0460-2718.2	602718	BRAKE PADS	SFP000020 , SFP500100	see drawing
FREELANDER 2 (07-)	2,2 TD4		01.2007		11.8116-0206.1	390593	GEHAEUSE-HALTEFEDER	34 11 1 163 801 , 5W93 2B486-AB , 4778606 , LR002526 , 30671546	
	3,2 I6		01.2007		11.8116-0206.1	390593	GEHAEUSE-HALTEFEDER	34 11 1 163 801 , 5W93 2B486-AB , 4778606 , LR002526 , 30671546	
RANGE ROVER II (LP) (94-02)	2,5 D		07.1994	03.2002	13.0460-2720.2	602720	BRAKE PADS	STC1880 , STC3195 , STC3685 , SFP100460 , SFP100480 , SFP000210	see drawing
	3,9		07.1994	03.2002	13.0460-2720.2	602720	BRAKE PADS	STC1880 , STC3195 , STC3685 , SFP100460 , SFP100480 , SFP000210	see drawing
	4		06.1998	03.2002	13.0460-2720.2	602720	BRAKE PADS	STC1880 , STC3195 , STC3685 , SFP100460 , SFP100480 , SFP000210	see drawing

New partnumbers on stock - according to applications

02/2010



					Description	OE numbers per ATE pn.	 e.g. replaced pn. / miscellaneous
--	--	--	--	--	-------------	------------------------	---------------------------------------

LAND ROVER

RANGE ROVER II (LP) (94-02)	4,6		07.1994	03.2002	13.0460-2720.2	602720	BRAKE PADS	STC1880 , STC3195 , STC3685 , SFP100460 , SFP100480 , SFP000210	see drawing
			06.1998	03.2002	13.0460-2720.2	602720	BRAKE PADS	STC1880 , STC3195 , STC3685 , SFP100460 , SFP100480 , SFP000210	see drawing

LEXUS

GS (05-)	3,0 VVTi		04.2005		13.0460-5789.2	605789	BRAKE PADS	04465-30410 , 04465-22340	see drawing
			04.2005		13.0460-5790.2	605790	BRAKE PADS	04466-22190	see drawing
	4,3 VVTi		04.2005		13.0460-5789.2	605789	BRAKE PADS	04465-30410 , 04465-22340	see drawing
			04.2005		13.0460-5790.2	605790	BRAKE PADS	04466-22190	see drawing
	450 h		02.2006		13.0460-5790.2	605790	BRAKE PADS	04466-22190	see drawing
			02.2006		13.0460-5789.2	605789	BRAKE PADS	04465-30410 , 04465-22340	see drawing
IS 220/250 (05-)	2,2 D (ALE20)		10.2005		13.0460-5790.2	605790	BRAKE PADS	04466-22190	see drawing
	2,5 i V6 (GSE20)		10.2005		13.0460-5790.2	605790	BRAKE PADS	04466-22190	see drawing

New partnumbers on stock - according to applications

02/2010



					Description	OE numbers per ATE pn.		e.g. replaced pn. / miscellaneous
--	--	--	--	--	-------------	------------------------	--	-----------------------------------

MERCEDES BENZ

C-Class (S202) Estate (96-01)	C 200 Kompressor		11.1996	04.2001	11.8116-0253.1	390512	GEHAEUSE-HALTEFEDER	000 421 88 91	
	C 230 Kompressor		06.1997	04.2001	11.8116-0253.1	390512	GEHAEUSE-HALTEFEDER	000 421 88 91	
	C 240		06.1997	04.2001	11.8116-0253.1	390512	GEHAEUSE-HALTEFEDER	000 421 88 91	
	C 250 TD		06.1996	04.2001	11.8116-0253.1	390512	GEHAEUSE-HALTEFEDER	000 421 88 91	
	C 280		06.1997	04.2001	11.8116-0253.1	390512	GEHAEUSE-HALTEFEDER	000 421 88 91	
C-Class (W202) Saloon (93-00)	C 200 Kompressor		10.1995	05.2000	11.8116-0253.1	390512	GEHAEUSE-HALTEFEDER	000 421 88 91	
	C 230 Kompressor		09.1995	05.2000	11.8116-0253.1	390512	GEHAEUSE-HALTEFEDER	000 421 88 91	
	C 240		06.1997	05.2000	11.8116-0253.1	390512	GEHAEUSE-HALTEFEDER	000 421 88 91	
	C 250 TD		09.1995	05.2000	11.8116-0253.1	390512	GEHAEUSE-HALTEFEDER	000 421 88 91	
	C 280			05.2000	11.8116-0253.1	390512	GEHAEUSE-HALTEFEDER	000 421 88 91	
CLK-Class (A208) Convertible (98-03)	CLK 200		06.1998	06.2003	11.8116-0253.1	390512	GEHAEUSE-HALTEFEDER	000 421 88 91	
CLK-Class (C208) Coupe (97-02)			06.1997	06.2002	11.8116-0253.1	390512	GEHAEUSE-HALTEFEDER	000 421 88 91	
	CLK 200 Kompressor		06.1997	06.2002	11.8116-0253.1	390512	GEHAEUSE-HALTEFEDER	000 421 88 91	
	CLK 230 Kompressor		06.1997	06.2002	11.8116-0253.1	390512	GEHAEUSE-HALTEFEDER	000 421 88 91	
CL-Class (C216) Coupe (06-)	CL 500		07.2006		24.0132-0138.1	432138	BRAKE DISC	221 421 00 12 , 221 421 11 12	
	CL 500 4 Matic		03.2008		24.0132-0138.1	432138	BRAKE DISC	221 421 00 12 , 221 421 11 12	
E-Class (S210) Estate (96-03)	E 200		05.1996	04.2003	11.8116-0253.1	390512	GEHAEUSE-HALTEFEDER	000 421 88 91	
	E 200 Kompressor		08.2000	04.2003	11.8116-0253.1	390512	GEHAEUSE-HALTEFEDER	000 421 88 91	

New partnumbers on stock - according to applications

02/2010



					Description	OE numbers per ATE pn.		e.g. replaced pn. / miscellaneous
--	--	--	--	--	-------------	------------------------	--	-----------------------------------

MERCEDES BENZ

E-Class (S210) Estate (96-03)	E 220 CDI		07.1998	04.2003	11.8116-0253.1	390512	GEHAEUSE-HALTEFEDER	000 421 88 91	
	E 230		05.1996	08.1997	11.8116-0253.1	390512	GEHAEUSE-HALTEFEDER	000 421 88 91	
	E 240		09.1997	04.2003	11.8116-0253.1	390512	GEHAEUSE-HALTEFEDER	000 421 88 91	
	E 250 D		05.1996	04.2003	11.8116-0253.1	390512	GEHAEUSE-HALTEFEDER	000 421 88 91	
	E 250 TD		09.1997	04.2003	11.8116-0253.1	390512	GEHAEUSE-HALTEFEDER	000 421 88 91	
	E 290 TD		05.1996	04.2003	11.8116-0253.1	390512	GEHAEUSE-HALTEFEDER	000 421 88 91	
E-Klasse (S211) Kombi (03-09)	E 240 4-Matic		07.2003	10.2009	11.8116-0253.1	390512	GEHAEUSE-HALTEFEDER	000 421 88 91	
	E 280 4-Matic		05.2005	10.2009	11.8116-0253.1	390512	GEHAEUSE-HALTEFEDER	000 421 88 91	
	E 280 CDI 4-Matic		05.2005	10.2009	11.8116-0253.1	390512	GEHAEUSE-HALTEFEDER	000 421 88 91	
	E 320 4-Matic		07.2003	10.2009	11.8116-0253.1	390512	GEHAEUSE-HALTEFEDER	000 421 88 91	
	E 320 CDI 4-Matic		05.2005	10.2009	11.8116-0253.1	390512	GEHAEUSE-HALTEFEDER	000 421 88 91	
E-Class (W210) Saloon (95-02)	E 200		06.1995	04.2002	11.8116-0253.1	390512	GEHAEUSE-HALTEFEDER	000 421 88 91	
	E 200 CDI		07.1998	04.2002	11.8116-0253.1	390512	GEHAEUSE-HALTEFEDER	000 421 88 91	
	E 200 D		10.1996	04.2002	11.8116-0253.1	390512	GEHAEUSE-HALTEFEDER	000 421 88 91	
	E 200 Kompressor		08.2000	04.2002	11.8116-0253.1	390512	GEHAEUSE-HALTEFEDER	000 421 88 91	
	E 220 CDI		07.1998	04.2002	11.8116-0253.1	390512	GEHAEUSE-HALTEFEDER	000 421 88 91	
	E 220 D		06.1995	06.1998	11.8116-0253.1	390512	GEHAEUSE-HALTEFEDER	000 421 88 91	
	E 230		06.1995	08.1997	11.8116-0253.1	390512	GEHAEUSE-HALTEFEDER	000 421 88 91	
	E 240		09.1997	04.2002	11.8116-0253.1	390512	GEHAEUSE-HALTEFEDER	000 421 88 91	

New partnumbers on stock - according to applications

02/2010



					Description	OE numbers per ATE pn.		e.g. replaced pn. / miscellaneous
--	--	--	--	--	-------------	------------------------	--	-----------------------------------

MERCEDES BENZ

E-Class (W210) Saloon (95-02)	E 250 D		06.1995	04.2002	11.8116-0253.1	390512	GEHAEUSE-HALTEFEDER	000 421 88 91	
	E 250 TD		09.1997	04.2002	11.8116-0253.1	390512	GEHAEUSE-HALTEFEDER	000 421 88 91	
	E 290 TD		01.1996	04.2002	11.8116-0253.1	390512	GEHAEUSE-HALTEFEDER	000 421 88 91	
	E 300 D		06.1995	04.2002	11.8116-0253.1	390512	GEHAEUSE-HALTEFEDER	000 421 88 91	
E-Class (W211) Saloon (02-09)	E 240 4-Matic		03.2003	03.2009	11.8116-0253.1	390512	GEHAEUSE-HALTEFEDER	000 421 88 91	
	E 280 4-Matic		05.2005	03.2009	11.8116-0253.1	390512	GEHAEUSE-HALTEFEDER	000 421 88 91	
	E 280 CDI 4-Matic		05.2005	03.2009	11.8116-0253.1	390512	GEHAEUSE-HALTEFEDER	000 421 88 91	
	E 320 4-Matic		03.2003	03.2009	11.8116-0253.1	390512	GEHAEUSE-HALTEFEDER	000 421 88 91	
	E 320 CDI 4-Matic		05.2005	03.2009	11.8116-0253.1	390512	GEHAEUSE-HALTEFEDER	000 421 88 91	
GLK-Class (X204) (08-)	GLK 220 CDI		04.2009		13.0460-3852.2	603852	BRAKE PADS	005 420 48 20	see drawing
	GLK 220 CDI 4-matic		04.2009		13.0460-3852.2	603852	BRAKE PADS	005 420 48 20	see drawing
	GLK 250 CDI 4-Matic		09.2008		13.0460-3852.2	603852	BRAKE PADS	005 420 48 20	see drawing
	GLK 280 4-Matic		09.2008		13.0460-3852.2	603852	BRAKE PADS	005 420 48 20	see drawing
	GLK 300 4-matic		04.2009		13.0460-3852.2	603852	BRAKE PADS	005 420 48 20	see drawing
	GLK 320 CDI 4-Matic		09.2008		13.0460-3852.2	603852	BRAKE PADS	005 420 48 20	see drawing
	GLK 350		09.2008		13.0460-3852.2	603852	BRAKE PADS	005 420 48 20	see drawing
	GLK 350 4-Matic		09.2008		13.0460-3852.2	603852	BRAKE PADS	005 420 48 20	see drawing
	GLK 350 CDI 4-matic		04.2009		13.0460-3852.2	603852	BRAKE PADS	005 420 48 20	see drawing
S-Class (W220) (98-06)	S 350 4-Matic		06.2003	03.2006	11.8116-0253.1	390512	GEHAEUSE-HALTEFEDER	000 421 88 91	

New partnumbers on stock - according to applications

02/2010



					Description	OE numbers per ATE pn.	 e.g. replaced pn. / miscellaneous
---	---	---	---	---	-------------	------------------------	--

MERCEDES BENZ

S-Class (W221) (06-)	S 320 CDI 4-Matic BE		05.2006		24.0132-0138.1	432138	BRAKE DISC	221 421 00 12 , 221 421 11 12	
	S 350 CDI 4-matic BE		04.2009		24.0132-0138.1	432138	BRAKE DISC	221 421 00 12 , 221 421 11 12	
	S 400 Hybrid		06.2009		24.0132-0138.1	432138	BRAKE DISC	221 421 00 12 , 221 421 11 12	
	S 420 CDI		04.2006		24.0132-0138.1	432138	BRAKE DISC	221 421 00 12 , 221 421 11 12	
	S 450		04.2006		24.0132-0138.1	432138	BRAKE DISC	221 421 00 12 , 221 421 11 12	
	S 450 4-Matic		04.2006		24.0132-0138.1	432138	BRAKE DISC	221 421 00 12 , 221 421 11 12	
	S 500		12.2005		24.0132-0138.1	432138	BRAKE DISC	221 421 00 12 , 221 421 11 12	
	S 500 4-Matic		04.2006		24.0132-0138.1	432138	BRAKE DISC	221 421 00 12 , 221 421 11 12	
SLK-Class (R170) (96-04)	SLK 200		09.1996	03.2004	11.8116-0253.1	390512	GEHAEUSE-HALTEFEDER	000 421 88 91	
	SLK 200 Kompressor		09.1996	03.2004	11.8116-0253.1	390512	GEHAEUSE-HALTEFEDER	000 421 88 91	
	SLK 230 Kompressor		09.1996	03.2004	11.8116-0253.1	390512	GEHAEUSE-HALTEFEDER	000 421 88 91	
SL-Class (R230) (01-)	SL 280		11.2007		24.0132-0138.1	432138	BRAKE DISC	221 421 00 12 , 221 421 11 12	

New partnumbers on stock - according to applications

02/2010



					Description	OE numbers per ATE pn.		e.g. replaced pn. / miscellaneous
--	--	--	--	--	-------------	------------------------	--	-----------------------------------

MG

ZT Saloon (01-05)	2,0 CDTi	FL	11.2002	12.2005	24.3571-1733.5	240349	FIST CALIPER	34 11 6 750 149 , 34 11 6 765 881 , SEG000050	11.9571-9797.2
		FR	11.2002	12.2005	24.3571-1734.5	240350	FIST CALIPER	34 11 6 750 150 , 34 11 6 765 882 , SEG000040	11.9571-9798.2
	2,5 V6	FL	06.2001	12.2005	24.3571-1733.5	240349	FIST CALIPER	34 11 6 750 149 , 34 11 6 765 881 , SEG000050	11.9571-9797.2
		FR	06.2001	12.2005	24.3571-1734.5	240350	FIST CALIPER	34 11 6 750 150 , 34 11 6 765 882 , SEG000040	11.9571-9798.2
	4,6 V8	FL	10.2003	12.2005	24.3571-1733.5	240349	FIST CALIPER	34 11 6 750 149 , 34 11 6 765 881 , SEG000050	11.9571-9797.2
		FR	10.2003	12.2005	24.3571-1734.5	240350	FIST CALIPER	34 11 6 750 150 , 34 11 6 765 882 , SEG000040	11.9571-9798.2
ZT-T Estate (01-05)	2,0 CDTi	FR	11.2002	12.2005	24.3571-1734.5	240350	FIST CALIPER	34 11 6 750 150 , 34 11 6 765 882 , SEG000040	11.9571-9798.2
		FL	11.2002	12.2005	24.3571-1733.5	240349	FIST CALIPER	34 11 6 750 149 , 34 11 6 765 881 , SEG000050	11.9571-9797.2
	2,5 V6	FR	10.2001	12.2005	24.3571-1734.5	240350	FIST CALIPER	34 11 6 750 150 , 34 11 6 765 882 , SEG000040	11.9571-9798.2
		FL	10.2001	12.2005	24.3571-1733.5	240349	FIST CALIPER	34 11 6 750 149 , 34 11 6 765 881 , SEG000050	11.9571-9797.2
	4,6 V8	FL	10.2003	12.2005	24.3571-1733.5	240349	FIST CALIPER	34 11 6 750 149 , 34 11 6 765 881 , SEG000050	11.9571-9797.2
		FR	10.2003	12.2005	24.3571-1734.5	240350	FIST CALIPER	34 11 6 750 150 , 34 11 6 765 882 , SEG000040	11.9571-9798.2

New partnumbers on stock - according to applications

02/2010



					Description	OE numbers per ATE pn.	 e.g. replaced pn. / miscellaneous
---	---	---	---	---	-------------	------------------------	--

MINI

R50/R53 (00-06)	Cooper 1,6 i		04.2003	11.2006	11.0230-0162.2	260090	ANCHOR SET	34 21 6 757 246 , 34 21 6 768 462	
			06.2000	03.2003	11.0230-0162.2	260090	ANCHOR SET	34 21 6 757 246 , 34 21 6 768 462	
			06.2000	11.2006	11.8116-0274.1	390516	GEHAEUSE-HALTEFEDER	34 11 1 512 715 , 45005-SEA-E01 , 41186-9F500	
	Cooper S 1,6 i		07.2002	03.2003	11.0230-0162.2	260090	ANCHOR SET	34 21 6 757 246 , 34 21 6 768 462	
			04.2003	11.2006	11.0230-0162.2	260090	ANCHOR SET	34 21 6 757 246 , 34 21 6 768 462	
			07.2002	11.2006	11.8116-0274.1	390516	GEHAEUSE-HALTEFEDER	34 11 1 512 715 , 45005-SEA-E01 , 41186-9F500	
	Cooper S JCW 1,6 i		11.2003	11.2006	11.0230-0162.2	260090	ANCHOR SET	34 21 6 757 246 , 34 21 6 768 462	
	One 1,4 D		03.2003	03.2003	11.0230-0162.2	260090	ANCHOR SET	34 21 6 757 246 , 34 21 6 768 462	
			04.2003	11.2006	11.0230-0162.2	260090	ANCHOR SET	34 21 6 757 246 , 34 21 6 768 462	
			03.2003	11.2006	11.8116-0274.1	390516	GEHAEUSE-HALTEFEDER	34 11 1 512 715 , 45005-SEA-E01 , 41186-9F500	
	One 1,4 i		06.2000	03.2003	11.0230-0162.2	260090	ANCHOR SET	34 21 6 757 246 , 34 21 6 768 462	
			04.2003	11.2006	11.0230-0162.2	260090	ANCHOR SET	34 21 6 757 246 , 34 21 6 768 462	
			06.2000	11.2006	11.8116-0274.1	390516	GEHAEUSE-HALTEFEDER	34 11 1 512 715 , 45005-SEA-E01 , 41186-9F500	

New partnumbers on stock - according to applications

02/2010



	i				Description	OE numbers per ATE pn.	i e.g. replaced pn. / miscellaneous
---	----------	---	---	---	--------------------	-------------------------------	---

MINI

R50/R53 (00-06)	One 1,6 i		06.2000	03.2003	11.0230-0162.2	260090	ANCHOR SET	34 21 6 757 246 , 34 21 6 768 462	
			04.2003	11.2006	11.0230-0162.2	260090	ANCHOR SET	34 21 6 757 246 , 34 21 6 768 462	
			06.2000	11.2006	11.8116-0274.1	390516	GEHAEUSE-HALTEFEDER	34 11 1 512 715 , 45005-SEA-E01 , 41186-9F500	
R52 Convertible (04-08)	Cooper 1,6 i		04.2004		11.0230-0162.2	260090	ANCHOR SET	34 21 6 757 246 , 34 21 6 768 462	
			04.2004		11.8116-0274.1	390516	GEHAEUSE-HALTEFEDER	34 11 1 512 715 , 45005-SEA-E01 , 41186-9F500	
	Cooper S 1,6 i		04.2004		11.0230-0162.2	260090	ANCHOR SET	34 21 6 757 246 , 34 21 6 768 462	
			04.2004		11.8116-0274.1	390516	GEHAEUSE-HALTEFEDER	34 11 1 512 715 , 45005-SEA-E01 , 41186-9F500	
	Cooper S Works 1,6 i		11.2003		11.0230-0162.2	260090	ANCHOR SET	34 21 6 757 246 , 34 21 6 768 462	
	One 1,6 i		04.2004		11.0230-0162.2	260090	ANCHOR SET	34 21 6 757 246 , 34 21 6 768 462	
			04.2004		11.8116-0274.1	390516	GEHAEUSE-HALTEFEDER	34 11 1 512 715 , 45005-SEA-E01 , 41186-9F500	



					Description	OE numbers per ATE pn.	 e.g. replaced pn. / miscellaneous
---	---	---	---	---	--------------------	-------------------------------	--

MITSUBISHI

COLT (04-)	1,1 i 12V (Z32A)		10.2004		03.0137-0477.2	650477	BRAKE SHOE SET	MN186120 , 454 420 02 02	
	1,3 i 16V (Z34A)		06.2004		03.0137-0477.2	650477	BRAKE SHOE SET	MN186120 , 454 420 02 02	
	1,5 DI-D (Z38A)		08.2004		03.0137-0477.2	650477	BRAKE SHOE SET	MN186120 , 454 420 02 02	
	1,5 DI-D (Z39A)		08.2004		03.0137-0477.2	650477	BRAKE SHOE SET	MN186120 , 454 420 02 02	
PAJERO (06-)	3,2 DiD (V98W)		09.2006		24.0118-0146.1	418146	BRAKE DISC	4615A037	
	3,8 i V6 (V97W)		09.2006		24.0118-0146.1	418146	BRAKE DISC	4615A037	

New partnumbers on stock - according to applications

02/2010



					Description	OE numbers per ATE pn.	 e.g. replaced pn. / miscellaneous
--	--	--	--	--	--------------------	-------------------------------	---------------------------------------

NISSAN

MURANO (Z50) (03-)	3,5 i V6		10.2003		13.0460-5778.2	605778	BRAKE PADS	41060-CC090 , 41060-EB325	see drawing
	3,5 i V6 4x4		10.2003		13.0460-5778.2	605778	BRAKE PADS	41060-CC090 , 41060-EB325	see drawing
NAVARA (D40M) (05-)	2,5 dCi		07.2005		13.0460-5778.2	605778	BRAKE PADS	41060-CC090 , 41060-EB325	see drawing
	2,5 dCi 4WD		07.2005		13.0460-5778.2	605778	BRAKE PADS	41060-CC090 , 41060-EB325	see drawing
			10.2006		13.0460-5778.2	605778	BRAKE PADS	41060-CC090 , 41060-EB325	see drawing
PATHFINDER (R51M) (05-)	2,5 dCi		01.2005		13.0460-5778.2	605778	BRAKE PADS	41060-CC090 , 41060-EB325	see drawing
	2,5 dCi 4WD		10.2006		13.0460-5778.2	605778	BRAKE PADS	41060-CC090 , 41060-EB325	see drawing
			03.2005		13.0460-5778.2	605778	BRAKE PADS	41060-CC090 , 41060-EB325	see drawing
	4		01.2005		13.0460-5778.2	605778	BRAKE PADS	41060-CC090 , 41060-EB325	see drawing
	4,0 4WD		09.2005		13.0460-5778.2	605778	BRAKE PADS	41060-CC090 , 41060-EB325	see drawing
PRIMERA (P11E) Saloon (96-02)	1,6 i 16V	FL	06.1996	02.2002	24.5267-0391.3	330974	BRAKE HOSE	46210-2F002	
	1,8 i 16V	FL	06.1999	02.2002	24.5267-0391.3	330974	BRAKE HOSE	46210-2F002	
	2,0 i 16V	FL	06.1996	02.2002	24.5267-0391.3	330974	BRAKE HOSE	46210-2F002	
		FL	06.1999	02.2002	24.5267-0391.3	330974	BRAKE HOSE	46210-2F002	
	2,0 TD	FL	06.1996	02.2002	24.5267-0391.3	330974	BRAKE HOSE	46210-2F002	
PRIMERA (W11) Estate (98-02)	1,6 i 16V	FL	04.1998	02.2002	24.5267-0391.3	330974	BRAKE HOSE	46210-2F002	
	1,8 i 16V	FL	08.1999	02.2002	24.5267-0391.3	330974	BRAKE HOSE	46210-2F002	
	2,0 i 16V	FL	04.1998	02.2002	24.5267-0391.3	330974	BRAKE HOSE	46210-2F002	
		FL	08.1999	02.2002	24.5267-0391.3	330974	BRAKE HOSE	46210-2F002	

New partnumbers on stock - according to applications

02/2010



	i				Description	OE numbers per ATE pn.	i e.g. replaced pn. / miscellaneous
--	----------	--	--	--	-------------	------------------------	---

NISSAN

PRIMERA (W11) Estate (98-02)	2,0 i 16V		08.1999	02.2002	11.8116-0274.1	390516	GEHAEUSE-HALTEFEDER	34 11 1 512 715 , 45005-SEA-E01 , 41186-9F500	
			07.1999	02.2002	11.8116-0274.1	390516	GEHAEUSE-HALTEFEDER	34 11 1 512 715 , 45005-SEA-E01 , 41186-9F500	
	2,0 TD	FL	04.1998	02.2002	24.5267-0391.3	330974	BRAKE HOSE	46210-2F002	

New partnumbers on stock - according to applications

02/2010



					Description	OE numbers per ATE pn.		e.g. replaced pn. / miscellaneous
--	--	--	--	--	-------------	------------------------	--	-----------------------------------

OPEL

ASCONA C / Vauxhall Cavalier (82-88)	2,0 i S		10.1987	08.1988	11.8116-0097.1	390590	GEHAEUSE-HALTEFEDER	5 42 529 , 90297772	
ASTRA F / Vauxhall Astra MKIII (91-01)	1,4 Cabrio	FL	10.1991	03.2001	11.9481-9871.2	220681	FIST CALIPER	96192182 , 96226977 , 5 42 243 , 90421739	11.3481-8083.2
		FR	10.1991	03.2001	11.9481-9872.2	220682	FIST CALIPER	96192183 , 96226978 , 5 42 244 , 90421740	11.3481-8084.2
			10.1991	03.2001	11.8116-0129.1	390591	GEHAEUSE-HALTEFEDER	4427 84 , 90421738 , 5 42 530	
	1,4 N		10.1991	09.1998	11.8116-0129.1	390591	GEHAEUSE-HALTEFEDER	4427 84 , 90421738 , 5 42 530	
	1,4 S	FL	10.1991	09.1998	11.9481-9871.2	220681	FIST CALIPER	96192182 , 96226977 , 5 42 243 , 90421739	11.3481-8083.2
		FR	10.1991	09.1998	11.9481-9872.2	220682	FIST CALIPER	96192183 , 96226978 , 5 42 244 , 90421740	11.3481-8084.2
			10.1991	09.1998	11.8116-0097.1	390590	GEHAEUSE-HALTEFEDER	5 42 529 , 90297772	
			10.1991	09.1998	11.8116-0129.1	390591	GEHAEUSE-HALTEFEDER	4427 84 , 90421738 , 5 42 530	
	1,6 16V		02.1993	09.1998	11.8116-0097.1	390590	GEHAEUSE-HALTEFEDER	5 42 529 , 90297772	
	1,6 Cabrio	FL	10.1991	03.2001	11.9481-9871.2	220681	FIST CALIPER	96192182 , 96226977 , 5 42 243 , 90421739	11.3481-8083.2
		FR	10.1991	03.2001	11.9481-9872.2	220682	FIST CALIPER	96192183 , 96226978 , 5 42 244 , 90421740	11.3481-8084.2
			10.1991	03.2001	11.8116-0129.1	390591	GEHAEUSE-HALTEFEDER	4427 84 , 90421738 , 5 42 530	
	1,6 N Caravan	FR	10.1991	09.1998	11.9481-9872.2	220682	FIST CALIPER	96192183 , 96226978 , 5 42 244 , 90421740	11.3481-8084.2

New partnumbers on stock - according to applications

02/2010



					Description	OE numbers per ATE pn.	 e.g. replaced pn. / miscellaneous
--	--	--	--	--	-------------	------------------------	---------------------------------------

OPEL

ASTRA F / Vauxhall Astra MKIII (91-01)	1,6 N Caravan	FL	10.1991	09.1998	11.9481-9871.2	220681	FIST CALIPER	96192182 , 96226977 , 5 42 243 , 90421739	11.3481-8083.2
			10.1991	09.1998	11.8116-0129.1	390591	GEHAEUSE-HALTEFEDER	4427 84 , 90421738 , 5 42 530	
	1,6 N Limousine	FR	10.1991	09.1998	11.9481-9872.2	220682	FIST CALIPER	96192183 , 96226978 , 5 42 244 , 90421740	11.3481-8084.2
		FL	10.1991	09.1998	11.9481-9871.2	220681	FIST CALIPER	96192182 , 96226977 , 5 42 243 , 90421739	11.3481-8083.2
			10.1991	09.1998	11.8116-0129.1	390591	GEHAEUSE-HALTEFEDER	4427 84 , 90421738 , 5 42 530	
	1,6 S	FR	10.1991	09.1998	11.9481-9872.2	220682	FIST CALIPER	96192183 , 96226978 , 5 42 244 , 90421740	11.3481-8084.2
		FL	10.1991	09.1998	11.9481-9871.2	220681	FIST CALIPER	96192182 , 96226977 , 5 42 243 , 90421739	11.3481-8083.2
			10.1991	09.1998	11.8116-0129.1	390591	GEHAEUSE-HALTEFEDER	4427 84 , 90421738 , 5 42 530	
	1,6 Si	FR	03.1992	12.1994	11.9481-9872.2	220682	FIST CALIPER	96192183 , 96226978 , 5 42 244 , 90421740	11.3481-8084.2
		FL	03.1992	12.1994	11.9481-9871.2	220681	FIST CALIPER	96192182 , 96226977 , 5 42 243 , 90421739	11.3481-8083.2
			03.1992	12.1994	11.8116-0129.1	390591	GEHAEUSE-HALTEFEDER	4427 84 , 90421738 , 5 42 530	
	1,7 D	FR	10.1991	09.1998	11.9481-9872.2	220682	FIST CALIPER	96192183 , 96226978 , 5 42 244 , 90421740	11.3481-8084.2
		FL	10.1991	09.1998	11.9481-9871.2	220681	FIST CALIPER	96192182 , 96226977 , 5 42 243 , 90421739	11.3481-8083.2

New partnumbers on stock - according to applications

02/2010



					Description	OE numbers per ATE pn.	 e.g. replaced pn. / miscellaneous
---	---	---	---	---	-------------	------------------------	--

OPEL

ASTRA F / Vauxhall Astra MKIII (91-01)	1,7 D		10.1991	09.1998	11.8116-0129.1	390591	GEHAEUSE-HALTEFEDER	4427 84 , 90421738 , 5 42 530	
			10.1991	09.1998	11.8116-0097.1	390590	GEHAEUSE-HALTEFEDER	5 42 529 , 90297772	
	1,7 TD	FL	10.1991	09.1998	11.9481-9871.2	220681	FIST CALIPER	96192182 , 96226977 , 5 42 243 , 90421739	11.3481-8083.2
		FR	10.1991	09.1998	11.9481-9872.2	220682	FIST CALIPER	96192183 , 96226978 , 5 42 244 , 90421740	11.3481-8084.2
			10.1991	09.1998	11.8116-0129.1	390591	GEHAEUSE-HALTEFEDER	4427 84 , 90421738 , 5 42 530	
			10.1991	09.1998	11.8116-0097.1	390590	GEHAEUSE-HALTEFEDER	5 42 529 , 90297772	
	1,8		10.1991	09.1998	11.8116-0129.1	390591	GEHAEUSE-HALTEFEDER	4427 84 , 90421738 , 5 42 530	
	1,8 16V		10.1991	09.1998	11.8116-0097.1	390590	GEHAEUSE-HALTEFEDER	5 42 529 , 90297772	
	1,8 Cabrio		10.1991	03.2001	11.8116-0097.1	390590	GEHAEUSE-HALTEFEDER	5 42 529 , 90297772	
	2		10.1991	09.1998	11.8116-0097.1	390590	GEHAEUSE-HALTEFEDER	5 42 529 , 90297772	
	2,0 Cabrio		10.1991	10.1994	11.8116-0097.1	390590	GEHAEUSE-HALTEFEDER	5 42 529 , 90297772	
	2,0 GSi		10.1991	09.1998	11.8116-0097.1	390590	GEHAEUSE-HALTEFEDER	5 42 529 , 90297772	
	2,0 GSi 16V		10.1991	09.1998	11.8116-0097.1	390590	GEHAEUSE-HALTEFEDER	5 42 529 , 90297772	
CALIBRA / Vauxhall Calibra (89-97)	2,0 16V 4x4		09.1989	07.1997	11.8116-0097.1	390590	GEHAEUSE-HALTEFEDER	5 42 529 , 90297772	
	2,0 4x4		09.1989	07.1997	11.8116-0097.1	390590	GEHAEUSE-HALTEFEDER	5 42 529 , 90297772	
COMBO / Vauxhall Combo (01-)	1,3 CDTI				24.2123-1767.3	010844	TANDEM MASTER CYL.	5 58 131 , 93177768	
	1,4 16V				24.2123-1767.3	010844	TANDEM MASTER CYL.	5 58 131 , 93177768	

New partnumbers on stock - according to applications

02/2010



					Description	OE numbers per ATE pn.	 e.g. replaced pn. / miscellaneous
---	---	---	---	---	-------------	------------------------	--

OPEL

COMBO / Vauxhall Combo (01-)	1,6				24.2123-1767.3	010844	TANDEM MASTER CYL.	5 58 131 , 93177768	
	1,6 CNG		04.2005		24.2123-1767.3	010844	TANDEM MASTER CYL.	5 58 131 , 93177768	
	1,7 CDTI 16V		06.2004		24.2123-1767.3	010844	TANDEM MASTER CYL.	5 58 131 , 93177768	
	1,7 DI 16V				24.2123-1767.3	010844	TANDEM MASTER CYL.	5 58 131 , 93177768	
	1,7 DTI 16V				24.2123-1767.3	010844	TANDEM MASTER CYL.	5 58 131 , 93177768	
CORSA A / Vauxhall Nova (83-92)	1,0 S			10.1992	11.8116-0129.1	390591	GEHAEUSE-HALTEFEDER	4427 84 , 90421738 , 5 42 530	
	1,2			10.1992	11.8116-0129.1	390591	GEHAEUSE-HALTEFEDER	4427 84 , 90421738 , 5 42 530	
	1,4 i SE	FR		10.1992	11.9481-9872.2	220682	FIST CALIPER	96192183 , 96226978 , 5 42 244 , 90421740	11.3481-8084.2
		FL		10.1992	11.9481-9871.2	220681	FIST CALIPER	96192182 , 96226977 , 5 42 243 , 90421739	11.3481-8083.2
				10.1992	11.8116-0129.1	390591	GEHAEUSE-HALTEFEDER	4427 84 , 90421738 , 5 42 530	
	1,4 N			10.1992	11.8116-0129.1	390591	GEHAEUSE-HALTEFEDER	4427 84 , 90421738 , 5 42 530	
	1,5 D			10.1992	11.8116-0129.1	390591	GEHAEUSE-HALTEFEDER	4427 84 , 90421738 , 5 42 530	
	1,5 TD			10.1992	11.8116-0129.1	390591	GEHAEUSE-HALTEFEDER	4427 84 , 90421738 , 5 42 530	
	1,6 i N	FL		10.1992	11.9481-9871.2	220681	FIST CALIPER	96192182 , 96226977 , 5 42 243 , 90421739	11.3481-8083.2
		FR		10.1992	11.9481-9872.2	220682	FIST CALIPER	96192183 , 96226978 , 5 42 244 , 90421740	11.3481-8084.2

New partnumbers on stock - according to applications

02/2010



					Description	OE numbers per ATE pn.	 e.g. replaced pn. / miscellaneous
---	---	---	---	---	-------------	------------------------	--

OPEL

CORSA A / Vauxhall Nova (83-92)	1,6 i N			10.1992	11.8116-0129.1	390591	GEHAEUSE-HALTEFEDER	4427 84 , 90421738 , 5 42 530	
	1,6 i SE	FL		10.1992	11.9481-9871.2	220681	FIST CALIPER	96192182 , 96226977 , 5 42 243 , 90421739	11.3481-8083.2
		FR		10.1992	11.9481-9872.2	220682	FIST CALIPER	96192183 , 96226978 , 5 42 244 , 90421740	11.3481-8084.2
				10.1992	11.8116-0129.1	390591	GEHAEUSE-HALTEFEDER	4427 84 , 90421738 , 5 42 530	
CORSA B / Vauxhall Corsa (93-00)	1,0 12V		11.1996	09.2000	11.8116-0129.1	390591	GEHAEUSE-HALTEFEDER	4427 84 , 90421738 , 5 42 530	
	1,2	FL	03.1993	09.2000	11.9481-9871.2	220681	FIST CALIPER	96192182 , 96226977 , 5 42 243 , 90421739	11.3481-8083.2
		FR	03.1993	09.2000	11.9481-9872.2	220682	FIST CALIPER	96192183 , 96226978 , 5 42 244 , 90421740	11.3481-8084.2
			03.1993	09.2000	11.8116-0129.1	390591	GEHAEUSE-HALTEFEDER	4427 84 , 90421738 , 5 42 530	
	1,2 16V	FL	04.1998	09.2000	11.9481-9871.2	220681	FIST CALIPER	96192182 , 96226977 , 5 42 243 , 90421739	11.3481-8083.2
		FR	04.1998	09.2000	11.9481-9872.2	220682	FIST CALIPER	96192183 , 96226978 , 5 42 244 , 90421740	11.3481-8084.2
			04.1998	09.2000	11.8116-0129.1	390591	GEHAEUSE-HALTEFEDER	4427 84 , 90421738 , 5 42 530	
	1,4	FL	03.1993	09.2000	11.9481-9871.2	220681	FIST CALIPER	96192182 , 96226977 , 5 42 243 , 90421739	11.3481-8083.2
		FR	03.1993	09.2000	11.9481-9872.2	220682	FIST CALIPER	96192183 , 96226978 , 5 42 244 , 90421740	11.3481-8084.2

New partnumbers on stock - according to applications

02/2010



					Description	OE numbers per ATE pn.	 e.g. replaced pn. / miscellaneous
---	---	---	---	---	-------------	------------------------	--

OPEL

CORSA B / Vauxhall Corsa (93-00)	1,4		03.1993	09.2000	11.8116-0129.1	390591	GEHAEUSE-HALTEFEDER	4427 84 , 90421738 , 5 42 530	
	1,4 S	FL	03.1993	09.2000	11.9481-9871.2	220681	FIST CALIPER	96192182 , 96226977 , 5 42 243 , 90421739	11.3481-8083.2
		FR	03.1993	09.2000	11.9481-9872.2	220682	FIST CALIPER	96192183 , 96226978 , 5 42 244 , 90421740	11.3481-8084.2
			03.1993	09.2000	11.8116-0129.1	390591	GEHAEUSE-HALTEFEDER	4427 84 , 90421738 , 5 42 530	
	1,4 Sport	FL	09.1993	09.2000	11.9481-9871.2	220681	FIST CALIPER	96192182 , 96226977 , 5 42 243 , 90421739	11.3481-8083.2
		FR	09.1993	09.2000	11.9481-9872.2	220682	FIST CALIPER	96192183 , 96226978 , 5 42 244 , 90421740	11.3481-8084.2
			09.1993	09.2000	11.8116-0129.1	390591	GEHAEUSE-HALTEFEDER	4427 84 , 90421738 , 5 42 530	
	1,5 D		03.1993	09.2000	11.8116-0129.1	390591	GEHAEUSE-HALTEFEDER	4427 84 , 90421738 , 5 42 530	
	1,5 TD		03.1993	09.2000	11.8116-0129.1	390591	GEHAEUSE-HALTEFEDER	4427 84 , 90421738 , 5 42 530	
	1,6 GSI 16V		09.1993	09.2000	11.8116-0129.1	390591	GEHAEUSE-HALTEFEDER	4427 84 , 90421738 , 5 42 530	
	1,6 i 16V		09.1993	09.2000	11.8116-0129.1	390591	GEHAEUSE-HALTEFEDER	4427 84 , 90421738 , 5 42 530	
	1,7 D		09.1993	09.2000	11.8116-0129.1	390591	GEHAEUSE-HALTEFEDER	4427 84 , 90421738 , 5 42 530	
	Combo	FR	09.1993	09.2000	11.9481-9872.2	220682	FIST CALIPER	96192183 , 96226978 , 5 42 244 , 90421740	11.3481-8084.2

New partnumbers on stock - according to applications

02/2010



					Description	OE numbers per ATE pn.	 e.g. replaced pn. / miscellaneous
---	---	---	---	---	-------------	------------------------	--

OPEL

CORSA B / Vauxhall Corsa (93-00)	Combo	FL	09.1993	09.2000	11.9481-9871.2	220681	FIST CALIPER	96192182 , 96226977 , 5 42 243 , 90421739	11.3481-8083.2
			09.1993	09.2000	11.8116-0129.1	390591	GEHAEUSE-HALTEFEDER	4427 84 , 90421738 , 5 42 530	
CORSA C / Vauxhall Corsa MK II (00-06)	1,4 16V			09.2006	24.2123-1767.3	010844	TANDEM MASTER CYL.	5 58 131 , 93177768	
	1,8 16V			09.2006	24.2123-1767.3	010844	TANDEM MASTER CYL.	5 58 131 , 93177768	
KADETT E / Vau. Astra E/Belmont (84-93)	1,8 i		08.1984	09.1991	11.8116-0097.1	390590	GEHAEUSE-HALTEFEDER	5 42 529 , 90297772	
	2,0 i		08.1985	09.1991	11.8116-0097.1	390590	GEHAEUSE-HALTEFEDER	5 42 529 , 90297772	
	2,0 i 16V		08.1987	09.1991	11.8116-0097.1	390590	GEHAEUSE-HALTEFEDER	5 42 529 , 90297772	
OMEGA A / Vauxhall Carlton (87-93)	1,8			08.1993	11.8116-0097.1	390590	GEHAEUSE-HALTEFEDER	5 42 529 , 90297772	
	2		08.1986		11.8116-0097.1	390590	GEHAEUSE-HALTEFEDER	5 42 529 , 90297772	
				08.1993	11.8116-0097.1	390590	GEHAEUSE-HALTEFEDER	5 42 529 , 90297772	
	2,3 D			08.1993	11.8116-0097.1	390590	GEHAEUSE-HALTEFEDER	5 42 529 , 90297772	
	2,3 TD			08.1993	11.8116-0097.1	390590	GEHAEUSE-HALTEFEDER	5 42 529 , 90297772	
	2,4			08.1993	11.8116-0097.1	390590	GEHAEUSE-HALTEFEDER	5 42 529 , 90297772	
TIGRA / Vauxhall Tigra (94-00)	1,4 16V		07.1994	12.2000	11.8116-0129.1	390591	GEHAEUSE-HALTEFEDER	4427 84 , 90421738 , 5 42 530	
	1,6 16V		07.1994	08.1998	11.8116-0129.1	390591	GEHAEUSE-HALTEFEDER	4427 84 , 90421738 , 5 42 530	
TIGRA TWIN TOP / Vau. Tigra Twin Top (04-)	1,3 CDTI		06.2004		24.2123-1767.3	010844	TANDEM MASTER CYL.	5 58 131 , 93177768	
	1,4		06.2004		24.2123-1767.3	010844	TANDEM MASTER CYL.	5 58 131 , 93177768	
	1,8		06.2004		24.2123-1767.3	010844	TANDEM MASTER CYL.	5 58 131 , 93177768	

New partnumbers on stock - according to applications

02/2010



					Description	OE numbers per ATE pn.	 e.g. replaced pn. / miscellaneous
---	---	---	---	---	-------------	------------------------	--

OPEL

VECTRA A / Vauxhall Cavalier (89-95)	1,4	FR		08.1995	11.9481-9872.2	220682	FIST CALIPER	96192183 , 96226978 , 5 42 244 , 90421740	11.3481-8084.2
		FL		08.1995	11.9481-9871.2	220681	FIST CALIPER	96192182 , 96226977 , 5 42 243 , 90421739	11.3481-8083.2
				08.1995	11.8116-0129.1	390591	GEHAEUSE-HALTEFEDER	4427 84 , 90421738 , 5 42 530	
	1,6	FR		08.1995	11.9481-9872.2	220682	FIST CALIPER	96192183 , 96226978 , 5 42 244 , 90421740	11.3481-8084.2
		FL		08.1995	11.9481-9871.2	220681	FIST CALIPER	96192182 , 96226977 , 5 42 243 , 90421739	11.3481-8083.2
				08.1995	11.8116-0129.1	390591	GEHAEUSE-HALTEFEDER	4427 84 , 90421738 , 5 42 530	
	1,7 D				11.8116-0129.1	390591	GEHAEUSE-HALTEFEDER	4427 84 , 90421738 , 5 42 530	
				08.1995	11.8116-0097.1	390590	GEHAEUSE-HALTEFEDER	5 42 529 , 90297772	
	1,7 TD				11.8116-0129.1	390591	GEHAEUSE-HALTEFEDER	4427 84 , 90421738 , 5 42 530	
				08.1995	11.8116-0097.1	390590	GEHAEUSE-HALTEFEDER	5 42 529 , 90297772	
	1,8				11.8116-0129.1	390591	GEHAEUSE-HALTEFEDER	4427 84 , 90421738 , 5 42 530	
				08.1995	11.8116-0097.1	390590	GEHAEUSE-HALTEFEDER	5 42 529 , 90297772	
	1,8 4x4		09.1988	08.1989	11.8116-0097.1	390590	GEHAEUSE-HALTEFEDER	5 42 529 , 90297772	
	2		09.1988	08.1995	11.8116-0097.1	390590	GEHAEUSE-HALTEFEDER	5 42 529 , 90297772	
	2,0 16V		09.1988	08.1995	11.8116-0097.1	390590	GEHAEUSE-HALTEFEDER	5 42 529 , 90297772	

New partnumbers on stock - according to applications

02/2010



	i				Description	OE numbers per ATE pn.	i e.g. replaced pn. / miscellaneous
---	----------	---	---	---	--------------------	-------------------------------	---

OPEL

VECTRA A / Vauxhall Cavalier (89-95)	2,0 16V 4x4		09.1988	08.1995	11.8116-0097.1	390590	GEHAEUSE-HALTEFEDER	5 42 529 , 90297772	
	2,0 4x4		09.1988	08.1995	11.8116-0097.1	390590	GEHAEUSE-HALTEFEDER	5 42 529 , 90297772	
	2,0 Turbo		03.1992	08.1995	11.8116-0129.1	390591	GEHAEUSE-HALTEFEDER	4427 84 , 90421738 , 5 42 530	
	2,5 i		02.1993	08.1995	11.8116-0129.1	390591	GEHAEUSE-HALTEFEDER	4427 84 , 90421738 , 5 42 530	
VECTRA B / Vauxhall Vectra (96-02)	1,6		09.1995		11.8116-0097.1	390590	GEHAEUSE-HALTEFEDER	5 42 529 , 90297772	
	1,6 16V		09.1995		11.8116-0097.1	390590	GEHAEUSE-HALTEFEDER	5 42 529 , 90297772	
	1,7 TD		09.1995	11.1996	11.8116-0097.1	390590	GEHAEUSE-HALTEFEDER	5 42 529 , 90297772	
	1,8 16V		09.1995		11.8116-0097.1	390590	GEHAEUSE-HALTEFEDER	5 42 529 , 90297772	
	2,0 DI 16V		11.1996		11.8116-0097.1	390590	GEHAEUSE-HALTEFEDER	5 42 529 , 90297772	
	2,0 DTI 16V		06.1997		11.8116-0097.1	390590	GEHAEUSE-HALTEFEDER	5 42 529 , 90297772	

New partnumbers on stock - according to applications

02/2010



					Description	OE numbers per ATE pn.		e.g. replaced pn. / miscellaneous
--	--	--	--	--	-------------	------------------------	--	-----------------------------------







PEUGEOT

1007 (05-)	1,4		04.2005		24.2122-1764.3	010851	TANDEM MASTER CYL.	4601 R0	
	1,4 16V		10.2005		24.2122-1764.3	010851	TANDEM MASTER CYL.	4601 R0	
	1,4 HDi		04.2005		24.2122-1764.3	010851	TANDEM MASTER CYL.	4601 R0	
	1,6 16V		04.2005		24.2122-1764.3	010851	TANDEM MASTER CYL.	4601 R0	
106 (91-96)	1,3 Rallye			04.1996	11.8116-0129.1	390591	GEHAEUSE-HALTEFEDER	4427 84 , 90421738 , 5 42 530	
	1,4			04.1996	11.8116-0129.1	390591	GEHAEUSE-HALTEFEDER	4427 84 , 90421738 , 5 42 530	
	1,4 D			04.1996	11.8116-0129.1	390591	GEHAEUSE-HALTEFEDER	4427 84 , 90421738 , 5 42 530	
	1,5 D			04.1996	11.8116-0129.1	390591	GEHAEUSE-HALTEFEDER	4427 84 , 90421738 , 5 42 530	
	1,6			04.1996	11.8116-0129.1	390591	GEHAEUSE-HALTEFEDER	4427 84 , 90421738 , 5 42 530	
106 (96-04)			05.1996	03.2004	11.8116-0129.1	390591	GEHAEUSE-HALTEFEDER	4427 84 , 90421738 , 5 42 530	
	1,6 16V		05.1996	03.2004	11.8116-0129.1	390591	GEHAEUSE-HALTEFEDER	4427 84 , 90421738 , 5 42 530	
205 (91-98)	1,7 TD		06.1993	09.1998	11.8116-0129.1	390591	GEHAEUSE-HALTEFEDER	4427 84 , 90421738 , 5 42 530	
	1,9 GTI		09.1990	09.1998	11.8116-0129.1	390591	GEHAEUSE-HALTEFEDER	4427 84 , 90421738 , 5 42 530	
			09.1990	10.1994	11.8116-0129.1	390591	GEHAEUSE-HALTEFEDER	4427 84 , 90421738 , 5 42 530	
207 Saloon (06-)	1,6 16V RC	FL	10.2006		11.9571-9765.2	220663	FIST CALIPER	4400 R0 , 4400 T2	11.9571-9793.2

New partnumbers on stock - according to applications

02/2010



					Description	OE numbers per ATE pn.	 e.g. replaced pn. / miscellaneous
---	---	---	---	---	-------------	------------------------	--

PEUGEOT

306 Convertible (94-03)	1,6		05.2000	10.2000	11.8116-0129.1	390591	GEHAEUSE-HALTEFEDER	4427 84 , 90421738 , 5 42 530	
			04.1996		11.8116-0129.1	390591	GEHAEUSE-HALTEFEDER	4427 84 , 90421738 , 5 42 530	
	1,8		03.1994		11.8116-0129.1	390591	GEHAEUSE-HALTEFEDER	4427 84 , 90421738 , 5 42 530	
			05.2000	10.2000	11.8116-0129.1	390591	GEHAEUSE-HALTEFEDER	4427 84 , 90421738 , 5 42 530	
306 Estate (97-02)	1,4		03.1997	03.2002	11.8116-0129.1	390591	GEHAEUSE-HALTEFEDER	4427 84 , 90421738 , 5 42 530	
	1,6		10.2000	03.2002	11.8116-0129.1	390591	GEHAEUSE-HALTEFEDER	4427 84 , 90421738 , 5 42 530	
			03.1997	10.2000	11.8116-0129.1	390591	GEHAEUSE-HALTEFEDER	4427 84 , 90421738 , 5 42 530	
	1,8 D		03.1997	03.2002	11.8116-0129.1	390591	GEHAEUSE-HALTEFEDER	4427 84 , 90421738 , 5 42 530	
	1,9 D		03.1997	03.2002	11.8116-0129.1	390591	GEHAEUSE-HALTEFEDER	4427 84 , 90421738 , 5 42 530	
306 Saloon (3/5-door) (93-01)	1,1		03.1994	04.1997	11.8116-0129.1	390591	GEHAEUSE-HALTEFEDER	4427 84 , 90421738 , 5 42 530	
	1,4		03.1993		11.8116-0129.1	390591	GEHAEUSE-HALTEFEDER	4427 84 , 90421738 , 5 42 530	
	1,4 Entreprise		03.1993	05.2001	11.8116-0129.1	390591	GEHAEUSE-HALTEFEDER	4427 84 , 90421738 , 5 42 530	
	1,6		03.1993		11.8116-0129.1	390591	GEHAEUSE-HALTEFEDER	4427 84 , 90421738 , 5 42 530	

New partnumbers on stock - according to applications

02/2010



					Description	OE numbers per ATE pn.	 e.g. replaced pn. / miscellaneous
---	---	---	---	---	-------------	------------------------	--







PEUGEOT

306 Saloon (3/5-door) (93-01)	1,6		10.2000	05.2001	11.8116-0129.1	390591	GEHAEUSE-HALTEFEDER	4427 84 , 90421738 , 5 42 530	
				10.2000	11.8116-0129.1	390591	GEHAEUSE-HALTEFEDER	4427 84 , 90421738 , 5 42 530	
	1,8		03.1993		11.8116-0129.1	390591	GEHAEUSE-HALTEFEDER	4427 84 , 90421738 , 5 42 530	
				05.2001	11.8116-0129.1	390591	GEHAEUSE-HALTEFEDER	4427 84 , 90421738 , 5 42 530	
	1,8 D		03.1993	05.2001	11.8116-0129.1	390591	GEHAEUSE-HALTEFEDER	4427 84 , 90421738 , 5 42 530	
	1,9 D		09.1998		11.8116-0129.1	390591	GEHAEUSE-HALTEFEDER	4427 84 , 90421738 , 5 42 530	
				05.2001	11.8116-0129.1	390591	GEHAEUSE-HALTEFEDER	4427 84 , 90421738 , 5 42 530	
			03.1998	05.2001	11.8116-0129.1	390591	GEHAEUSE-HALTEFEDER	4427 84 , 90421738 , 5 42 530	
			05.1993	05.2001	11.8116-0129.1	390591	GEHAEUSE-HALTEFEDER	4427 84 , 90421738 , 5 42 530	
			06.1994	05.2001	11.8116-0129.1	390591	GEHAEUSE-HALTEFEDER	4427 84 , 90421738 , 5 42 530	
	1,9 D Entreprise		09.1998	10.2000	11.8116-0129.1	390591	GEHAEUSE-HALTEFEDER	4427 84 , 90421738 , 5 42 530	
	1,9 TD		10.1993	05.2001	11.8116-0129.1	390591	GEHAEUSE-HALTEFEDER	4427 84 , 90421738 , 5 42 530	
306 Saloon (4-door) (94-01)	1,4		10.1994		11.8116-0129.1	390591	GEHAEUSE-HALTEFEDER	4427 84 , 90421738 , 5 42 530	

New partnumbers on stock - according to applications

02/2010



					Description	OE numbers per ATE pn.	 e.g. replaced pn. / miscellaneous
---	---	---	---	---	-------------	------------------------	--







PEUGEOT

306 Saloon (4-door) (94-01)	1,6		10.1994		11.8116-0129.1	390591	GEHAEUSE-HALTEFEDER	4427 84 , 90421738 , 5 42 530	
			10.2000	05.2001	11.8116-0129.1	390591	GEHAEUSE-HALTEFEDER	4427 84 , 90421738 , 5 42 530	
				10.2000	11.8116-0129.1	390591	GEHAEUSE-HALTEFEDER	4427 84 , 90421738 , 5 42 530	
	1,8			05.2001	11.8116-0129.1	390591	GEHAEUSE-HALTEFEDER	4427 84 , 90421738 , 5 42 530	
			04.1994		11.8116-0129.1	390591	GEHAEUSE-HALTEFEDER	4427 84 , 90421738 , 5 42 530	
	1,9 D		10.1994	05.2001	11.8116-0129.1	390591	GEHAEUSE-HALTEFEDER	4427 84 , 90421738 , 5 42 530	
			09.1998		11.8116-0129.1	390591	GEHAEUSE-HALTEFEDER	4427 84 , 90421738 , 5 42 530	
				05.2001	11.8116-0129.1	390591	GEHAEUSE-HALTEFEDER	4427 84 , 90421738 , 5 42 530	
	1,9 TD		10.1994	05.2001	11.8116-0129.1	390591	GEHAEUSE-HALTEFEDER	4427 84 , 90421738 , 5 42 530	
307 Estate (02-08)	2,0 16V	FL	06.2005	04.2008	11.9571-9765.2	220663	FIST CALIPER	4400 R0 , 4400 T2	11.9571-9793.2
	2,0 HDi 135	FL	02.2004	04.2008	11.9571-9765.2	220663	FIST CALIPER	4400 R0 , 4400 T2	11.9571-9793.2
307 CC (03-09)	CC 180	FL		02.2009	11.9571-9765.2	220663	FIST CALIPER	4400 R0 , 4400 T2	11.9571-9793.2
		FL	10.2003		11.9571-9765.2	220663	FIST CALIPER	4400 R0 , 4400 T2	11.9571-9793.2
	CC HDi 135	FL	06.2005		11.9571-9765.2	220663	FIST CALIPER	4400 R0 , 4400 T2	11.9571-9793.2
		FL		02.2009	11.9571-9765.2	220663	FIST CALIPER	4400 R0 , 4400 T2	11.9571-9793.2

New partnumbers on stock - according to applications

02/2010



					Description	OE numbers per ATE pn.	 e.g. replaced pn. / miscellaneous
---	---	---	---	---	-------------	------------------------	--

PEUGEOT

307 Saloon (00-07)	2,0 16V	FL		07.2007	11.9571-9765.2	220663	FIST CALIPER	4400 R0 , 4400 T2	11.9571-9793.2
		FL	06.2005		11.9571-9765.2	220663	FIST CALIPER	4400 R0 , 4400 T2	11.9571-9793.2
	2,0 HDi 135	FL		07.2007	11.9571-9765.2	220663	FIST CALIPER	4400 R0 , 4400 T2	11.9571-9793.2
		FL	10.2003		11.9571-9765.2	220663	FIST CALIPER	4400 R0 , 4400 T2	11.9571-9793.2
307 SW (02-08)		FL	02.2004		11.9571-9765.2	220663	FIST CALIPER	4400 R0 , 4400 T2	11.9571-9793.2
		FL		04.2008	11.9571-9765.2	220663	FIST CALIPER	4400 R0 , 4400 T2	11.9571-9793.2
308 CC (09-)	2,0 HDi	FL	06.2009		11.9571-9765.2	220663	FIST CALIPER	4400 R0 , 4400 T2	11.9571-9793.2
		FL	04.2009		11.9571-9765.2	220663	FIST CALIPER	4400 R0 , 4400 T2	11.9571-9793.2
	2,0 HDi FAP 140	FL	03.2009		11.9571-9765.2	220663	FIST CALIPER	4400 R0 , 4400 T2	11.9571-9793.2
308 Saloon (07-)	1,6 175 THP	FL	03.2008		11.9571-9765.2	220663	FIST CALIPER	4400 R0 , 4400 T2	11.9571-9793.2
	2,0 HDi 135	FL	08.2007		11.9571-9765.2	220663	FIST CALIPER	4400 R0 , 4400 T2	11.9571-9793.2
	2,0 HDi FAP 140	FL	12.2008		11.9571-9765.2	220663	FIST CALIPER	4400 R0 , 4400 T2	11.9571-9793.2
308 SW (08-)	1,6 16V	FL	05.2008		11.9571-9765.2	220663	FIST CALIPER	4400 R0 , 4400 T2	11.9571-9793.2
	2,0 BioFlex	FL	05.2008		11.9571-9765.2	220663	FIST CALIPER	4400 R0 , 4400 T2	11.9571-9793.2
	2,0 HDi	FL	05.2008		11.9571-9765.2	220663	FIST CALIPER	4400 R0 , 4400 T2	11.9571-9793.2
		FL	06.2009		11.9571-9765.2	220663	FIST CALIPER	4400 R0 , 4400 T2	11.9571-9793.2
806 (94-02)	1,8 i		10.1996	06.2002	11.8116-0073.1	390498	GEHAUSE-HALTEFEDER	4427 70 , 9404427708 , V89BB 2B486-AA , 1661473 , JLM 2196 , 8969123 , 3344689 , 3546381	

New partnumbers on stock - according to applications

02/2010



					Description	OE numbers per ATE pn.	 e.g. replaced pn. / miscellaneous
--	--	--	--	--	-------------	------------------------	---------------------------------------

PEUGEOT

806 (94-02)	1,9 TD		07.1995	06.2002	11.8116-0073.1	390498	GEHAEUSE-HALTEFEDER	4427 70 , 9404427708 , V89BB 2B486-AA , 1661473 , JLM 2196 , 8969123 , 3344689 , 3546381	
	2,0 16V		10.1998	06.2002	11.8116-0073.1	390498	GEHAEUSE-HALTEFEDER	4427 70 , 9404427708 , V89BB 2B486-AA , 1661473 , JLM 2196 , 8969123 , 3344689 , 3546381	
	2,0 HDi		08.1999	06.2002	11.8116-0073.1	390498	GEHAEUSE-HALTEFEDER	4427 70 , 9404427708 , V89BB 2B486-AA , 1661473 , JLM 2196 , 8969123 , 3344689 , 3546381	
	2,0 i		08.1994	06.2002	11.8116-0073.1	390498	GEHAEUSE-HALTEFEDER	4427 70 , 9404427708 , V89BB 2B486-AA , 1661473 , JLM 2196 , 8969123 , 3344689 , 3546381	
	2,0 Turbo		08.1994	06.2002	11.8116-0073.1	390498	GEHAEUSE-HALTEFEDER	4427 70 , 9404427708 , V89BB 2B486-AA , 1661473 , JLM 2196 , 8969123 , 3344689 , 3546381	
	2,1 TD		06.1996	06.2002	11.8116-0073.1	390498	GEHAEUSE-HALTEFEDER	4427 70 , 9404427708 , V89BB 2B486-AA , 1661473 , JLM 2196 , 8969123 , 3344689 , 3546381	
EXPERT Tepee (07-)	1,6 HDi 90		01.2007		03.0520-7122.3	697122	ATE TOPKIT	4242 21	

New partnumbers on stock - according to applications

02/2010



				Description	OE numbers per ATE pn.	 e.g. replaced pn. / miscellaneous
---	---	--	---	--------------------	-------------------------------	--

PORSCHE

CAYENNE (03-)	3,6		01.2007		13.0460-4850.2	604850	BRAKE PADS	955 352 939 62 , 7L0 698 451 E	see drawing
	4,8 S		01.2007		13.0460-4850.2	604850	BRAKE PADS	955 352 939 62 , 7L0 698 451 E	see drawing
	4,8 Turbo		01.2007		13.0460-4850.2	604850	BRAKE PADS	955 352 939 62 , 7L0 698 451 E	see drawing

New partnumbers on stock - according to applications

02/2010



					Description	OE numbers per ATE pn.		e.g. replaced pn. / miscellaneous
--	--	--	--	--	-------------	------------------------	--	-----------------------------------

RENAULT

Model	Engine	Start	End	ATE Part No.	ATE Part No.	Description	OE numbers	Notes
GRAND SCENIC (04-09)	1,5 dCi	03.2008	03.2009	24.4123-1707.3	010849	TANDEM MASTER CYL.	77 01 209 220	
		04.2004	03.2009	24.4123-1707.3	010849	TANDEM MASTER CYL.	77 01 209 220	
		08.2007	03.2009	24.4123-1707.3	010849	TANDEM MASTER CYL.	77 01 209 220	
	1,6	04.2004	03.2009	24.4123-1707.3	010849	TANDEM MASTER CYL.	77 01 209 220	
		06.2006	03.2009	24.4123-1707.3	010849	TANDEM MASTER CYL.	77 01 209 220	
		07.2006	03.2009	24.4123-1707.3	010849	TANDEM MASTER CYL.	77 01 209 220	
	1,9 dCi	04.2004	03.2009	24.4123-1707.3	010849	TANDEM MASTER CYL.	77 01 209 220	
		05.2005	03.2009	24.4123-1707.3	010849	TANDEM MASTER CYL.	77 01 209 220	
	2,0 16V	04.2004	03.2009	24.4123-1707.3	010849	TANDEM MASTER CYL.	77 01 209 220	
	2,0 16V Turbo	04.2004	03.2009	24.4123-1707.3	010849	TANDEM MASTER CYL.	77 01 209 220	
	MEGANE II Coupe/Convertible (EM_) (03-)	1,5 dCi	05.2005		24.4123-1707.3	010849	TANDEM MASTER CYL.	77 01 209 220
	1,6 16V	09.2003		24.4123-1707.3	010849	TANDEM MASTER CYL.	77 01 209 220	
	1,9 dCi	01.2006		24.4123-1707.3	010849	TANDEM MASTER CYL.	77 01 209 220	
		09.2003		24.4123-1707.3	010849	TANDEM MASTER CYL.	77 01 209 220	
	2,0 16V	09.2003		24.4123-1707.3	010849	TANDEM MASTER CYL.	77 01 209 220	
	2,0 16V Turbo	05.2004		24.4123-1707.3	010849	TANDEM MASTER CYL.	77 01 209 220	
	2,0 dCi	09.2005		24.4123-1707.3	010849	TANDEM MASTER CYL.	77 01 209 220	
MEGANE II Grandtour (KM_) (03-)	1,4 16V	09.2003		24.4123-1707.3	010849	TANDEM MASTER CYL.	77 01 209 220	
	1,5 dCi	09.2003		24.4123-1707.3	010849	TANDEM MASTER CYL.	77 01 209 220	

New partnumbers on stock - according to applications

02/2010



					Description	OE numbers per ATE pn.	 e.g. replaced pn. / miscellaneous
---	---	---	---	---	-------------	------------------------	--

RENAULT

MEGANE II Grandtour (KM_) (03-)	1,5 dCi		02.2004		24.4123-1707.3	010849	TANDEM MASTER CYL.	77 01 209 220	
	1,6		09.2003		24.4123-1707.3	010849	TANDEM MASTER CYL.	77 01 209 220	
	1,6 FlexFuel		02.2008		24.4123-1707.3	010849	TANDEM MASTER CYL.	77 01 209 220	
	1,9 dCi		05.2005		24.4123-1707.3	010849	TANDEM MASTER CYL.	77 01 209 220	
			09.2003		24.4123-1707.3	010849	TANDEM MASTER CYL.	77 01 209 220	
	2,0 16V		09.2003		24.4123-1707.3	010849	TANDEM MASTER CYL.	77 01 209 220	
	2,0 dCi		09.2005		24.4123-1707.3	010849	TANDEM MASTER CYL.	77 01 209 220	
MEGANE II Saloon 3/5-door(BM_/CM_) (02-)	1,4 16V		11.2002		24.4123-1707.3	010849	TANDEM MASTER CYL.	77 01 209 220	
	1,5 dCi		11.2008		24.4123-1707.3	010849	TANDEM MASTER CYL.	77 01 209 220	
			01.2007		24.4123-1707.3	010849	TANDEM MASTER CYL.	77 01 209 220	
			11.2002		24.4123-1707.3	010849	TANDEM MASTER CYL.	77 01 209 220	
	1,6 16V		11.2002		24.4123-1707.3	010849	TANDEM MASTER CYL.	77 01 209 220	
			11.2008		24.4123-1707.3	010849	TANDEM MASTER CYL.	77 01 209 220	
	1,6 FlexFuel		01.2007		24.4123-1707.3	010849	TANDEM MASTER CYL.	77 01 209 220	
	1,9 dCi		01.2006		24.4123-1707.3	010849	TANDEM MASTER CYL.	77 01 209 220	
			05.2005		24.4123-1707.3	010849	TANDEM MASTER CYL.	77 01 209 220	
			11.2002		24.4123-1707.3	010849	TANDEM MASTER CYL.	77 01 209 220	
	2		08.2006		24.4123-1707.3	010849	TANDEM MASTER CYL.	77 01 209 220	
	2,0 16V		11.2002		24.4123-1707.3	010849	TANDEM MASTER CYL.	77 01 209 220	

New partnumbers on stock - according to applications

02/2010









					Description	OE numbers per ATE pn.	 e.g. replaced pn. / miscellaneous
---	---	---	---	---	--------------------	-------------------------------	--

RENAULT

MEGANE II Saloon 3/5-door(BM_/CM_) (02-)	2,0 16V Turbo		05.2004		24.4123-1707.3	010849	TANDEM MASTER CYL.	77 01 209 220	
	2,0 dCi		09.2005		24.4123-1707.3	010849	TANDEM MASTER CYL.	77 01 209 220	
	2,0 Sport		05.2004		24.4123-1707.3	010849	TANDEM MASTER CYL.	77 01 209 220	
MEGANE II Saloon 4-door (LM_) (03-)	1,4 16V		09.2003		24.4123-1707.3	010849	TANDEM MASTER CYL.	77 01 209 220	
	1,5 dCi		09.2003		24.4123-1707.3	010849	TANDEM MASTER CYL.	77 01 209 220	
			11.2008		24.4123-1707.3	010849	TANDEM MASTER CYL.	77 01 209 220	
	1,6		05.2005		24.4123-1707.3	010849	TANDEM MASTER CYL.	77 01 209 220	
			09.2003		24.4123-1707.3	010849	TANDEM MASTER CYL.	77 01 209 220	
	1,6 16V		09.2003		24.4123-1707.3	010849	TANDEM MASTER CYL.	77 01 209 220	
			11.2008		24.4123-1707.3	010849	TANDEM MASTER CYL.	77 01 209 220	
	1,9 dCi		09.2003		24.4123-1707.3	010849	TANDEM MASTER CYL.	77 01 209 220	
	2,0 16V		09.2003		24.4123-1707.3	010849	TANDEM MASTER CYL.	77 01 209 220	
SCENIC II (JM_) (03-09)	1,4 16V		06.2003	03.2009	24.4123-1707.3	010849	TANDEM MASTER CYL.	77 01 209 220	
	1,5 dCi		05.2005	03.2009	24.4123-1707.3	010849	TANDEM MASTER CYL.	77 01 209 220	
			06.2003	03.2009	24.4123-1707.3	010849	TANDEM MASTER CYL.	77 01 209 220	
			11.2003	03.2009	24.4123-1707.3	010849	TANDEM MASTER CYL.	77 01 209 220	
	1,6		06.2006	03.2009	24.4123-1707.3	010849	TANDEM MASTER CYL.	77 01 209 220	
	1,6 16V		06.2003	03.2009	24.4123-1707.3	010849	TANDEM MASTER CYL.	77 01 209 220	
	1,9 D		06.2006	03.2009	24.4123-1707.3	010849	TANDEM MASTER CYL.	77 01 209 220	



					Description	OE numbers per ATE pn.	 e.g. replaced pn. / miscellaneous
---	---	---	---	---	--------------------	-------------------------------	--

RENAULT

SCENIC II (JM_) (03-09)	1,9 dCi		05.2005	03.2009	24.4123-1707.3	010849	TANDEM MASTER CYL.	77 01 209 220	
			06.2003	03.2009	24.4123-1707.3	010849	TANDEM MASTER CYL.	77 01 209 220	
	2,0 16V		06.2003	03.2009	24.4123-1707.3	010849	TANDEM MASTER CYL.	77 01 209 220	
	2,0 16V Turbo		05.2004	03.2009	24.4123-1707.3	010849	TANDEM MASTER CYL.	77 01 209 220	
	2,0 dCi 110		09.2005	03.2009	24.4123-1707.3	010849	TANDEM MASTER CYL.	77 01 209 220	

New partnumbers on stock - according to applications

02/2010



					Description	OE numbers per ATE pn.	 e.g. replaced pn. / miscellaneous
---	---	---	---	---	-------------	------------------------	--

ROVER

75 series (RX) (04-)	1,8	FL	04.2004		24.3571-1733.5	240349	FIST CALIPER	34 11 6 750 149 , 34 11 6 765 881 , SEG000050	11.9571-9797.2
		FR	04.2004		24.3571-1734.5	240350	FIST CALIPER	34 11 6 750 150 , 34 11 6 765 882 , SEG000040	11.9571-9798.2
	1,8 Turbo	FL	04.2004		24.3571-1733.5	240349	FIST CALIPER	34 11 6 750 149 , 34 11 6 765 881 , SEG000050	11.9571-9797.2
		FR	04.2004		24.3571-1734.5	240350	FIST CALIPER	34 11 6 750 150 , 34 11 6 765 882 , SEG000040	11.9571-9798.2
	2,0 CDTI	FL	04.2004		24.3571-1733.5	240349	FIST CALIPER	34 11 6 750 149 , 34 11 6 765 881 , SEG000050	11.9571-9797.2
		FR	04.2004		24.3571-1734.5	240350	FIST CALIPER	34 11 6 750 150 , 34 11 6 765 882 , SEG000040	11.9571-9798.2
	2,5 V6	FL	04.2004		24.3571-1733.5	240349	FIST CALIPER	34 11 6 750 149 , 34 11 6 765 881 , SEG000050	11.9571-9797.2
		FR	04.2004		24.3571-1734.5	240350	FIST CALIPER	34 11 6 750 150 , 34 11 6 765 882 , SEG000040	11.9571-9798.2
	4,6 V8	FL	04.2004		24.3571-1733.5	240349	FIST CALIPER	34 11 6 750 149 , 34 11 6 765 881 , SEG000050	11.9571-9797.2
		FR	04.2004		24.3571-1734.5	240350	FIST CALIPER	34 11 6 750 150 , 34 11 6 765 882 , SEG000040	11.9571-9798.2

New partnumbers on stock - according to applications

02/2010



					Description	OE numbers per ATE pn.	 e.g. replaced pn. / miscellaneous
---	---	---	---	---	-------------	------------------------	--

SAAB

900 (79-93)	2,0 16V		01.1989	08.1993	11.8116-0047.1	390494	GEHAEUSE-HALTEFEDER	8970816 , 3342536	
	2,0 C		09.1987	12.1988	11.8116-0047.1	390494	GEHAEUSE-HALTEFEDER	8970816 , 3342536	
	2,0 i		09.1987	08.1990	11.8116-0047.1	390494	GEHAEUSE-HALTEFEDER	8970816 , 3342536	
	2,0 Turbo		09.1987	08.1993	11.8116-0047.1	390494	GEHAEUSE-HALTEFEDER	8970816 , 3342536	
	2,1 16V		09.1990	12.1991	11.8116-0047.1	390494	GEHAEUSE-HALTEFEDER	8970816 , 3342536	
9000 (85-93)	2,0 16V		09.1984	08.1993	11.8116-0047.1	390494	GEHAEUSE-HALTEFEDER	8970816 , 3342536	
			09.1989	08.1993	11.8116-0073.1	390498	GEHAEUSE-HALTEFEDER	4427 70 , 9404427708 , V89BB 2B486-AA , 1661473 , JLM 2196 , 8969123 , 3344689 , 3546381	
	2,0 16V Turbo		09.1987	08.1993	11.8116-0073.1	390498	GEHAEUSE-HALTEFEDER	4427 70 , 9404427708 , V89BB 2B486-AA , 1661473 , JLM 2196 , 8969123 , 3344689 , 3546381	
			09.1984	08.1993	11.8116-0047.1	390494	GEHAEUSE-HALTEFEDER	8970816 , 3342536	
	2,3 16V		09.1989	08.1993	11.8116-0073.1	390498	GEHAEUSE-HALTEFEDER	4427 70 , 9404427708 , V89BB 2B486-AA , 1661473 , JLM 2196 , 8969123 , 3344689 , 3546381	
			09.1989	08.1993	11.8116-0047.1	390494	GEHAEUSE-HALTEFEDER	8970816 , 3342536	
	2,3 16V Turbo		09.1989	08.1993	11.8116-0073.1	390498	GEHAEUSE-HALTEFEDER	4427 70 , 9404427708 , V89BB 2B486-AA , 1661473 , JLM 2196 , 8969123 , 3344689 , 3546381	
			09.1989	08.1993	11.8116-0047.1	390494	GEHAEUSE-HALTEFEDER	8970816 , 3342536	
9000 (94-98)	2,0 16V		09.1993	05.1998	11.8116-0047.1	390494	GEHAEUSE-HALTEFEDER	8970816 , 3342536	

New partnumbers on stock - according to applications

02/2010



					Description	OE numbers per ATE pn.	 e.g. replaced pn. / miscellaneous
---	---	---	---	---	-------------	------------------------	--

SAAB

9000 (94-98)	2,0 16V		09.1993	05.1998	11.8116-0073.1	390498	GEHAEUSE-HALTEFEDER	4427 70 , 9404427708 , V89BB 2B486-AA , 1661473 , JLM 2196 , 8969123 , 3344689 , 3546381	
	2,0 16V Turbo		09.1993	05.1998	11.8116-0047.1	390494	GEHAEUSE-HALTEFEDER	8970816 , 3342536	
			09.1993	05.1998	11.8116-0073.1	390498	GEHAEUSE-HALTEFEDER	4427 70 , 9404427708 , V89BB 2B486-AA , 1661473 , JLM 2196 , 8969123 , 3344689 , 3546381	
	2,3 16V		09.1993	05.1998	11.8116-0073.1	390498	GEHAEUSE-HALTEFEDER	4427 70 , 9404427708 , V89BB 2B486-AA , 1661473 , JLM 2196 , 8969123 , 3344689 , 3546381	
			09.1993	05.1998	11.8116-0047.1	390494	GEHAEUSE-HALTEFEDER	8970816 , 3342536	
	2,3 16V Turbo		09.1993	05.1998	11.8116-0073.1	390498	GEHAEUSE-HALTEFEDER	4427 70 , 9404427708 , V89BB 2B486-AA , 1661473 , JLM 2196 , 8969123 , 3344689 , 3546381	
			09.1993	05.1998	11.8116-0047.1	390494	GEHAEUSE-HALTEFEDER	8970816 , 3342536	
	3,0 V6		09.1994	05.1998	11.8116-0047.1	390494	GEHAEUSE-HALTEFEDER	8970816 , 3342536	
			09.1994	05.1998	11.8116-0073.1	390498	GEHAEUSE-HALTEFEDER	4427 70 , 9404427708 , V89BB 2B486-AA , 1661473 , JLM 2196 , 8969123 , 3344689 , 3546381	

New partnumbers on stock - according to applications

02/2010



					Description	OE numbers per ATE pn.		e.g. replaced pn. / miscellaneous
--	--	--	--	--	-------------	------------------------	--	-----------------------------------




SMART

CONVERTIBLE (BM450) (00-03)	0,6		01.2001	01.2004	24.5146-0330.3	330973	BRAKE HOSE	000 4163 V001 000000	
			03.2000	01.2004	24.5146-0330.3	330973	BRAKE HOSE	000 4163 V001 000000	
			06.2002	01.2004	24.5146-0330.3	330973	BRAKE HOSE	000 4163 V001 000000	
	0,7		01.2003	01.2004	24.5146-0330.3	330973	BRAKE HOSE	000 4163 V001 000000	
	0,8 CDI		03.2001	01.2004	24.5146-0330.3	330973	BRAKE HOSE	000 4163 V001 000000	
CITY COUPE (BM450) (98-03)	0,6		07.1998	01.2004	24.5146-0330.3	330973	BRAKE HOSE	000 4163 V001 000000	
			06.2002	01.2004	24.5146-0330.3	330973	BRAKE HOSE	000 4163 V001 000000	
			01.2001	01.2004	24.5146-0330.3	330973	BRAKE HOSE	000 4163 V001 000000	
	0,7		01.2003	01.2004	24.5146-0330.3	330973	BRAKE HOSE	000 4163 V001 000000	
	0,8 CDI		11.1999	01.2004	24.5146-0330.3	330973	BRAKE HOSE	000 4163 V001 000000	
CROSSBLADE (BM450) (02-04)	0,6		06.2002	01.2004	24.5146-0330.3	330973	BRAKE HOSE	000 4163 V001 000000	
FORFOUR (BM454) (04-06)	1,1		03.2004	12.2006	03.0137-0477.2	650477	BRAKE SHOE SET	MN186120 , 454 420 02 02	
	1,3		03.2004	12.2006	03.0137-0477.2	650477	BRAKE SHOE SET	MN186120 , 454 420 02 02	
	1,5		11.2004	12.2006	03.0137-0477.2	650477	BRAKE SHOE SET	MN186120 , 454 420 02 02	
	1,5 CDI		08.2004	12.2006	03.0137-0477.2	650477	BRAKE SHOE SET	MN186120 , 454 420 02 02	
FORTWO CONVERTIBLE (BM450) (04-07)	0,7		01.2004	04.2007	24.5146-0330.3	330973	BRAKE HOSE	000 4163 V001 000000	
	0,7 BRABUS		01.2004	04.2007	24.5146-0330.3	330973	BRAKE HOSE	000 4163 V001 000000	
	0,8 CDI		01.2004	04.2007	24.5146-0330.3	330973	BRAKE HOSE	000 4163 V001 000000	
FORTWO COUPE (BM450) (04-07)	0,7		01.2004	04.2007	24.5146-0330.3	330973	BRAKE HOSE	000 4163 V001 000000	

New partnumbers on stock - according to applications

02/2010



	i			Description	OE numbers per ATE pn.	i e.g. replaced pn. / miscellaneous
---	----------	--	---	--------------------	-------------------------------	---

SMART

FORTWO COUPE (BM450) (04-07)	0,7 BRABUS		01.2004	04.2007	24.5146-0330.3	330973	BRAKE HOSE	000 4163 V001 000000	
	0,8 CDI		01.2004	04.2007	24.5146-0330.3	330973	BRAKE HOSE	000 4163 V001 000000	

New partnumbers on stock - according to applications

02/2010



					Description	OE numbers per ATE pn.		e.g. replaced pn. / miscellaneous
--	--	--	--	--	-------------	------------------------	--	-----------------------------------

SUZUKI

GRAND VITARA (05-)	1,6 i 16V	RR			24.3222-1728.3	020520	WHEEL CYLINDER	53401-65D00	
		RL			24.3222-1727.3	020519	WHEEL CYLINDER	53402-65D00	
	1,9 DDIS	RL			24.3222-1727.3	020519	WHEEL CYLINDER	53402-65D00	
		RR			24.3222-1728.3	020520	WHEEL CYLINDER	53401-65D00	
	2,0 VVTi	RL			24.3222-1727.3	020519	WHEEL CYLINDER	53402-65D00	
		RR			24.3222-1728.3	020520	WHEEL CYLINDER	53401-65D00	
	2,7 VVTi	RL			24.3222-1727.3	020519	WHEEL CYLINDER	53402-65D00	
		RR			24.3222-1728.3	020520	WHEEL CYLINDER	53401-65D00	
GRAND VITARA (98-05)	1,6 i 16V	RR	03.1998	03.2005	24.3222-1728.3	020520	WHEEL CYLINDER	53401-65D00	
		RL	03.1998	03.2005	24.3222-1727.3	020519	WHEEL CYLINDER	53402-65D00	
	2,0 i 16V	RR	03.1998	04.2005	24.3222-1728.3	020520	WHEEL CYLINDER	53401-65D00	
		RL	03.1998	04.2005	24.3222-1727.3	020519	WHEEL CYLINDER	53402-65D00	
	2,0 TD	RL	03.1998	06.2001	24.3222-1727.3	020519	WHEEL CYLINDER	53402-65D00	
		RR	03.1998	06.2001	24.3222-1728.3	020520	WHEEL CYLINDER	53401-65D00	
	2,0 TDi	RR	07.2001	09.2005	24.3222-1728.3	020520	WHEEL CYLINDER	53401-65D00	
		RL	07.2001	09.2005	24.3222-1727.3	020519	WHEEL CYLINDER	53402-65D00	
	2,5 i V6	RL	08.2004	04.2005	24.3222-1727.3	020519	WHEEL CYLINDER	53402-65D00	
		RR	04.1998	04.2005	24.3222-1728.3	020520	WHEEL CYLINDER	53401-65D00	
		RL	04.1998	04.2005	24.3222-1727.3	020519	WHEEL CYLINDER	53402-65D00	

New partnumbers on stock - according to applications

02/2010



	i				Description	OE numbers per ATE pn.	i e.g. replaced pn. / miscellaneous
---	----------	---	---	---	--------------------	-------------------------------	---







SUZUKI

GRAND VITARA (98-05)	2,5 i V6	RR	08.2004	04.2005	24.3222-1728.3	020520	WHEEL CYLINDER	53401-65D00	
	2,7 i V6	RR	04.2003	09.2005	24.3222-1728.3	020520	WHEEL CYLINDER	53401-65D00	
		RR	09.2001	09.2005	24.3222-1728.3	020520	WHEEL CYLINDER	53401-65D00	
		RL	09.2001	09.2005	24.3222-1727.3	020519	WHEEL CYLINDER	53402-65D00	
		RL	04.2003	09.2005	24.3222-1727.3	020519	WHEEL CYLINDER	53402-65D00	

New partnumbers on stock - according to applications

02/2010



					Description	OE numbers per ATE pn.	 e.g. replaced pn. / miscellaneous
---	---	---	---	---	-------------	------------------------	--

TOYOTA

4-RUNNER (96-99)	2,7 i 16V (N180/185)		11.1995	06.1999	24.0122-0253.1	422253	BRAKE DISC	43512-35310 , 43512-35280	
	3,4 i V6 (N180/185)		11.1995	06.1999	24.0122-0253.1	422253	BRAKE DISC	43512-35310 , 43512-35280	
AURIS (07-)	2,0 D-4D		03.2007		13.0460-5603.2	605603	BRAKE PADS	04465-02170 , 04465-02190	see drawing
	2,2 D-4D		03.2007		13.0460-5603.2	605603	BRAKE PADS	04465-02170 , 04465-02190	see drawing
AVENSIS (97-03)	1,6 i 16V (AT220)		09.1997	09.2000	11.8116-0279.1	390519	GEHAEUSE-HALTEFEDER	47748-05010 , 47748-05020	
	1,6 VVTi (ZZT220)		07.2001	02.2003	11.8116-0279.1	390519	GEHAEUSE-HALTEFEDER	47748-05010 , 47748-05020	
	1,8 i 16V (AT221)		09.1997	09.2000	11.8116-0279.1	390519	GEHAEUSE-HALTEFEDER	47748-05010 , 47748-05020	
	1,8 VVTi (ZZT221)		07.2001	02.2003	11.8116-0279.1	390519	GEHAEUSE-HALTEFEDER	47748-05010 , 47748-05020	
	2,0 D4-D (CDT221)		10.1999	02.2003	11.8116-0279.1	390519	GEHAEUSE-HALTEFEDER	47748-05010 , 47748-05020	
			07.2001	02.2003	11.8116-0279.1	390519	GEHAEUSE-HALTEFEDER	47748-05010 , 47748-05020	
	2,0 i 16V (ST220)		09.1997	09.2000	11.8116-0279.1	390519	GEHAEUSE-HALTEFEDER	47748-05010 , 47748-05020	
			07.2001	02.2003	11.8116-0279.1	390519	GEHAEUSE-HALTEFEDER	47748-05010 , 47748-05020	
	2,0 TD (CT220)		07.2001	02.2003	11.8116-0279.1	390519	GEHAEUSE-HALTEFEDER	47748-05010 , 47748-05020	
			09.1997	02.2003	11.8116-0279.1	390519	GEHAEUSE-HALTEFEDER	47748-05010 , 47748-05020	
	2,0 VVTi (AZT220)		07.2001	02.2003	11.8116-0279.1	390519	GEHAEUSE-HALTEFEDER	47748-05010 , 47748-05020	
COROLLA (02-04)	1,4 VVTi (ZZE120)	RR	01.2002	05.2004	24.3361-1702.7	220718	FIST CALIPER	47730-13020	
	1,6 VVTi (ZZE121)	RR	01.2002	05.2004	24.3361-1702.7	220718	FIST CALIPER	47730-13020	
	2,0 D-4D (CDE120)	RR	01.2002	05.2004	24.3361-1702.7	220718	FIST CALIPER	47730-13020	
COROLLA (06-)	2,0 D-4DF (ADE150)		11.2006		13.0460-5603.2	605603	BRAKE PADS	04465-02170 , 04465-02190	see drawing

New partnumbers on stock - according to applications

02/2010



					Description	OE numbers per ATE pn.	 e.g. replaced pn. / miscellaneous
---	---	---	---	---	-------------	------------------------	--

TOYOTA

Model	Engine	RR	01.2002	05.2004	24.3361-1702.7	220718	Description	47730-13020	
COROLLA VERSO (02-04)	1,4 VVTi (ZZE120)	RR	01.2002	05.2004	24.3361-1702.7	220718	FIST CALIPER	47730-13020	
	1,6 VVTi (ZZE121)	RR	01.2002	05.2004	24.3361-1702.7	220718	FIST CALIPER	47730-13020	
	1,8 VVTi (ZZE122)	RR	01.2002	05.2004	24.3361-1702.7	220718	FIST CALIPER	47730-13020	
	2,0 D-4D (CDE120)	RR	01.2002	05.2004	24.3361-1702.7	220718	FIST CALIPER	47730-13020	
PRIUS (03-)	1,5 VVTi (NHW20)	RR	08.2003		24.3361-1702.7	220718	FIST CALIPER	47730-13020	
RAV4 III (05-)	2,0 VVTi		03.2006		24.0112-0714.1	412714	BRAKE DISC	42431-42060	
	2,2 D-4D		03.2006		24.0112-0714.1	412714	BRAKE DISC	42431-42060	
	2,2 D-CAT		03.2006		24.0112-0714.1	412714	BRAKE DISC	42431-42060	
	2,4 VVTi 4x4		11.2005		24.0112-0714.1	412714	BRAKE DISC	42431-42060	
	3,5 VVTi 4x4		11.2005		24.0112-0714.1	412714	BRAKE DISC	42431-42060	

New partnumbers on stock - according to applications

02/2010



					Description	OE numbers per ATE pn.		e.g. replaced pn. / miscellaneous
--	--	--	--	--	-------------	------------------------	--	-----------------------------------

VOLKSWAGEN

TIGUAN (07-)	1,4 TSI		11.2007		13.0460-2749.2	602749	BRAKE PADS	5N0 698 451	see drawing
	2,0 TDI 4motion		11.2007		13.0460-2749.2	602749	BRAKE PADS	5N0 698 451	see drawing
			01.2008		13.0460-2749.2	602749	BRAKE PADS	5N0 698 451	see drawing
	2,0 TSI 4motion		02.2008		13.0460-2749.2	602749	BRAKE PADS	5N0 698 451	see drawing
			11.2007		13.0460-2749.2	602749	BRAKE PADS	5N0 698 451	see drawing
TOUAREG (03-)	2,5 R5 TDI		01.2003		13.0460-4850.2	604850	BRAKE PADS	955 352 939 62 , 7L0 698 451 E	see drawing
	3,0 V6 TDI		10.2007		13.0460-4850.2	604850	BRAKE PADS	955 352 939 62 , 7L0 698 451 E	see drawing
			11.2004		13.0460-4850.2	604850	BRAKE PADS	955 352 939 62 , 7L0 698 451 E	see drawing
	3,6 V6 FSI		01.2006		13.0460-4850.2	604850	BRAKE PADS	955 352 939 62 , 7L0 698 451 E	see drawing
	4,2 V8 FSI		12.2006		13.0460-4850.2	604850	BRAKE PADS	955 352 939 62 , 7L0 698 451 E	see drawing
	5,0 TDI R50		01.2008		13.0460-4850.2	604850	BRAKE PADS	955 352 939 62 , 7L0 698 451 E	see drawing
	5,0 V10 TDI		11.2002		13.0460-4850.2	604850	BRAKE PADS	955 352 939 62 , 7L0 698 451 E	see drawing
TRANSPORTER (T5) (03-)	1,9 TDI	RR	01.2006		24.5140-0240.3	330947	BRAKE HOSE	7H8 611 776 , 7H8 611 776 A	
		RR	04.2003		24.5140-0240.3	330947	BRAKE HOSE	7H8 611 776 , 7H8 611 776 A	
		RR	06.2006		24.5140-0240.3	330947	BRAKE HOSE	7H8 611 776 , 7H8 611 776 A	
	2	RR	06.2003		24.5140-0240.3	330947	BRAKE HOSE	7H8 611 776 , 7H8 611 776 A	



	i				Description	OE numbers per ATE pn.	i e.g. replaced pn. / miscellaneous
--	----------	--	--	--	-------------	------------------------	---

VOLKSWAGEN

TRANSPORTER (T5) (03-)	2,5 TDI	RR	02.2003		24.5140-0240.3	330947	BRAKE HOSE	7H8 611 776 , 7H8 611 776 A	
	2,5 TDI 4motion	RR	07.2004		24.5140-0240.3	330947	BRAKE HOSE	7H8 611 776 , 7H8 611 776 A	
	3,2 V6	RR	02.2003		24.5140-0240.3	330947	BRAKE HOSE	7H8 611 776 , 7H8 611 776 A	
	3,2 V6 4motion	RR	07.2004		24.5140-0240.3	330947	BRAKE HOSE	7H8 611 776 , 7H8 611 776 A	

New partnumbers on stock - according to applications

02/2010



					Description	OE numbers per ATE pn.	 e.g. replaced pn. / miscellaneous
--	--	--	--	--	-------------	------------------------	---------------------------------------

VOLVO

440 (88-96)	1,7		08.1989	12.1996	11.8116-0047.1	390494	GEHAEUSE-HALTEFEDER	8970816 , 3342536	
			09.1988	12.1996	11.8116-0047.1	390494	GEHAEUSE-HALTEFEDER	8970816 , 3342536	
	1,7 T		01.1991	12.1996	11.8116-0047.1	390494	GEHAEUSE-HALTEFEDER	8970816 , 3342536	
			08.1988	07.1996	11.8116-0047.1	390494	GEHAEUSE-HALTEFEDER	8970816 , 3342536	
			01.1991	12.1996	11.8116-0073.1	390498	GEHAEUSE-HALTEFEDER	4427 70 , 9404427708 , V89BB 2B486-AA , 1661473 , JLM 2196 , 8969123 , 3344689 , 3546381	
			08.1988	07.1996	11.8116-0073.1	390498	GEHAEUSE-HALTEFEDER	4427 70 , 9404427708 , V89BB 2B486-AA , 1661473 , JLM 2196 , 8969123 , 3344689 , 3546381	
	1,8		08.1991	12.1996	11.8116-0047.1	390494	GEHAEUSE-HALTEFEDER	8970816 , 3342536	
	1,9 TD		07.1994	12.1996	11.8116-0047.1	390494	GEHAEUSE-HALTEFEDER	8970816 , 3342536	
	2		08.1993	07.1996	11.8116-0073.1	390498	GEHAEUSE-HALTEFEDER	4427 70 , 9404427708 , V89BB 2B486-AA , 1661473 , JLM 2196 , 8969123 , 3344689 , 3546381	
			08.1992	07.1995	11.8116-0073.1	390498	GEHAEUSE-HALTEFEDER	4427 70 , 9404427708 , V89BB 2B486-AA , 1661473 , JLM 2196 , 8969123 , 3344689 , 3546381	
			08.1992	07.1995	11.8116-0047.1	390494	GEHAEUSE-HALTEFEDER	8970816 , 3342536	
460 (88-96)	1,7		08.1989	07.1992	11.8116-0047.1	390494	GEHAEUSE-HALTEFEDER	8970816 , 3342536	
	1,7 T		01.1991	07.1996	11.8116-0073.1	390498	GEHAEUSE-HALTEFEDER	4427 70 , 9404427708 , V89BB 2B486-AA , 1661473 , JLM 2196 , 8969123 , 3344689 , 3546381	

New partnumbers on stock - according to applications

02/2010



					Description	OE numbers per ATE pn.	 e.g. replaced pn. / miscellaneous
---	---	---	---	---	-------------	------------------------	--

VOLVO

460 (88-96)	1,7 T		01.1991	07.1996	11.8116-0047.1	390494	GEHAEUSE-HALTEFEDER	8970816 , 3342536	
			08.1989	07.1996	11.8116-0047.1	390494	GEHAEUSE-HALTEFEDER	8970816 , 3342536	
			08.1989	07.1996	11.8116-0073.1	390498	GEHAEUSE-HALTEFEDER	4427 70 , 9404427708 , V89BB 2B486-AA , 1661473 , JLM 2196 , 8969123 , 3344689 , 3546381	
	1,8		08.1991	07.1996	11.8116-0047.1	390494	GEHAEUSE-HALTEFEDER	8970816 , 3342536	
	1,9 TD		07.1994	07.1996	11.8116-0047.1	390494	GEHAEUSE-HALTEFEDER	8970816 , 3342536	
	2		08.1992	07.1995	11.8116-0073.1	390498	GEHAEUSE-HALTEFEDER	4427 70 , 9404427708 , V89BB 2B486-AA , 1661473 , JLM 2196 , 8969123 , 3344689 , 3546381	
			08.1993	07.1996	11.8116-0073.1	390498	GEHAEUSE-HALTEFEDER	4427 70 , 9404427708 , V89BB 2B486-AA , 1661473 , JLM 2196 , 8969123 , 3344689 , 3546381	
			08.1992	07.1995	11.8116-0047.1	390494	GEHAEUSE-HALTEFEDER	8970816 , 3342536	
480 (86-96)	1,7		08.1986	07.1988	11.8116-0047.1	390494	GEHAEUSE-HALTEFEDER	8970816 , 3342536	
			04.1986	07.1989	11.8116-0047.1	390494	GEHAEUSE-HALTEFEDER	8970816 , 3342536	
			08.1987	07.1989	11.8116-0047.1	390494	GEHAEUSE-HALTEFEDER	8970816 , 3342536	
			08.1989	07.1996	11.8116-0047.1	390494	GEHAEUSE-HALTEFEDER	8970816 , 3342536	
	1,7 T		01.1991	07.1996	11.8116-0073.1	390498	GEHAEUSE-HALTEFEDER	4427 70 , 9404427708 , V89BB 2B486-AA , 1661473 , JLM 2196 , 8969123 , 3344689 , 3546381	

New partnumbers on stock - according to applications

02/2010



				Description	OE numbers per ATE pn.	 e.g. replaced pn. / miscellaneous
--	--	--	--	-------------	------------------------	---------------------------------------

VOLVO

Model	Engine	Start	End	ATE PN	ATE PN	Description	OE numbers	Notes
480 (86-96)	1,7 T	08.1987	07.1996	11.8116-0073.1	390498	GEHAEUSE-HALTEFEDER	4427 70 , 9404427708 , V89BB 2B486-AA , 1661473 , JLM 2196 , 8969123 , 3344689 , 3546381	
		01.1991	07.1996	11.8116-0047.1	390494	GEHAEUSE-HALTEFEDER	8970816 , 3342536	
		08.1987	07.1996	11.8116-0047.1	390494	GEHAEUSE-HALTEFEDER	8970816 , 3342536	
	2	08.1992	09.1995	11.8116-0047.1	390494	GEHAEUSE-HALTEFEDER	8970816 , 3342536	
		08.1992	09.1995	11.8116-0073.1	390498	GEHAEUSE-HALTEFEDER	4427 70 , 9404427708 , V89BB 2B486-AA , 1661473 , JLM 2196 , 8969123 , 3344689 , 3546381	
850 Saloon (91-96)		06.1991	12.1996	11.8116-0073.1	390498	GEHAEUSE-HALTEFEDER	4427 70 , 9404427708 , V89BB 2B486-AA , 1661473 , JLM 2196 , 8969123 , 3344689 , 3546381	
		08.1994	12.1996	11.8116-0073.1	390498	GEHAEUSE-HALTEFEDER	4427 70 , 9404427708 , V89BB 2B486-AA , 1661473 , JLM 2196 , 8969123 , 3344689 , 3546381	
	2,0 T	08.1993	12.1996	11.8116-0073.1	390498	GEHAEUSE-HALTEFEDER	4427 70 , 9404427708 , V89BB 2B486-AA , 1661473 , JLM 2196 , 8969123 , 3344689 , 3546381	
	2,3 T5	08.1993	07.1996	11.8116-0073.1	390498	GEHAEUSE-HALTEFEDER	4427 70 , 9404427708 , V89BB 2B486-AA , 1661473 , JLM 2196 , 8969123 , 3344689 , 3546381	
	2,5	08.1991	12.1996	11.8116-0073.1	390498	GEHAEUSE-HALTEFEDER	4427 70 , 9404427708 , V89BB 2B486-AA , 1661473 , JLM 2196 , 8969123 , 3344689 , 3546381	

New partnumbers on stock - according to applications

02/2010



		 		Description	OE numbers per ATE pn.	 e.g. replaced pn. / miscellaneous
---	---	---	---	--------------------	-------------------------------	--

VOLVO

850 Saloon (91-96)	2,5		08.1994	12.1996	11.8116-0073.1	390498	GEHAEUSE-HALTEFEDER	4427 70 , 9404427708 , V89BB 2B486-AA , 1661473 , JLM 2196 , 8969123 , 3344689 , 3546381	
			06.1991	07.1994	11.8116-0073.1	390498	GEHAEUSE-HALTEFEDER	4427 70 , 9404427708 , V89BB 2B486-AA , 1661473 , JLM 2196 , 8969123 , 3344689 , 3546381	
	2,5 TDI		08.1995	12.1996	11.8116-0073.1	390498	GEHAEUSE-HALTEFEDER	4427 70 , 9404427708 , V89BB 2B486-AA , 1661473 , JLM 2196 , 8969123 , 3344689 , 3546381	
C70 Coupe (97-02)	2		03.1997	09.2002	11.8116-0073.1	390498	GEHAEUSE-HALTEFEDER	4427 70 , 9404427708 , V89BB 2B486-AA , 1661473 , JLM 2196 , 8969123 , 3344689 , 3546381	
	2,0 T		03.1997	09.2002	11.8116-0073.1	390498	GEHAEUSE-HALTEFEDER	4427 70 , 9404427708 , V89BB 2B486-AA , 1661473 , JLM 2196 , 8969123 , 3344689 , 3546381	
			03.2000	09.2002	11.8116-0073.1	390498	GEHAEUSE-HALTEFEDER	4427 70 , 9404427708 , V89BB 2B486-AA , 1661473 , JLM 2196 , 8969123 , 3344689 , 3546381	
	2,3 T5		03.1997	09.2002	11.8116-0073.1	390498	GEHAEUSE-HALTEFEDER	4427 70 , 9404427708 , V89BB 2B486-AA , 1661473 , JLM 2196 , 8969123 , 3344689 , 3546381	
	2,5		03.1999	09.2002	11.8116-0073.1	390498	GEHAEUSE-HALTEFEDER	4427 70 , 9404427708 , V89BB 2B486-AA , 1661473 , JLM 2196 , 8969123 , 3344689 , 3546381	

New partnumbers on stock - according to applications

02/2010



				Description	OE numbers per ATE pn.	 e.g. replaced pn. / miscellaneous
--	--	--	--	--------------------	-------------------------------	---------------------------------------

VOLVO

C70 Coupe (97-02)	2,5		11.1999	09.2002	11.8116-0073.1	390498	GEHAEUSE-HALTEFEDER	4427 70 , 9404427708 , V89BB 2B486-AA , 1661473 , JLM 2196 , 8969123 , 3344689 , 3546381	
	2,5 T		03.1997	09.2002	11.8116-0073.1	390498	GEHAEUSE-HALTEFEDER	4427 70 , 9404427708 , V89BB 2B486-AA , 1661473 , JLM 2196 , 8969123 , 3344689 , 3546381	
C70 I Convertible (98-06)	2		03.1998	02.2006	11.8116-0073.1	390498	GEHAEUSE-HALTEFEDER	4427 70 , 9404427708 , V89BB 2B486-AA , 1661473 , JLM 2196 , 8969123 , 3344689 , 3546381	
	2,0 T		03.1998	02.2006	11.8116-0073.1	390498	GEHAEUSE-HALTEFEDER	4427 70 , 9404427708 , V89BB 2B486-AA , 1661473 , JLM 2196 , 8969123 , 3344689 , 3546381	
			03.2000	02.2006	11.8116-0073.1	390498	GEHAEUSE-HALTEFEDER	4427 70 , 9404427708 , V89BB 2B486-AA , 1661473 , JLM 2196 , 8969123 , 3344689 , 3546381	
	2,3 T5		07.2002	02.2006	11.8116-0073.1	390498	GEHAEUSE-HALTEFEDER	4427 70 , 9404427708 , V89BB 2B486-AA , 1661473 , JLM 2196 , 8969123 , 3344689 , 3546381	
			03.1998	02.2006	11.8116-0073.1	390498	GEHAEUSE-HALTEFEDER	4427 70 , 9404427708 , V89BB 2B486-AA , 1661473 , JLM 2196 , 8969123 , 3344689 , 3546381	
	2,4 T		07.2002	02.2006	11.8116-0073.1	390498	GEHAEUSE-HALTEFEDER	4427 70 , 9404427708 , V89BB 2B486-AA , 1661473 , JLM 2196 , 8969123 , 3344689 , 3546381	

New partnumbers on stock - according to applications

02/2010



					Description	OE numbers per ATE pn.	 e.g. replaced pn. / miscellaneous
---	---	---	---	---	-------------	------------------------	--

VOLVO

C70 I Convertible (98-06)	2,5		06.1998	02.2006	11.8116-0073.1	390498	GEHAEUSE-HALTEFEDER	4427 70 , 9404427708 , V89BB 2B486-AA , 1661473 , JLM 2196 , 8969123 , 3344689 , 3546381	
	2,5 T		03.1998	02.2006	11.8116-0073.1	390498	GEHAEUSE-HALTEFEDER	4427 70 , 9404427708 , V89BB 2B486-AA , 1661473 , JLM 2196 , 8969123 , 3344689 , 3546381	
S70 (97-00)	2		01.1997	11.2000	11.8116-0073.1	390498	GEHAEUSE-HALTEFEDER	4427 70 , 9404427708 , V89BB 2B486-AA , 1661473 , JLM 2196 , 8969123 , 3344689 , 3546381	
	2,0 20V		01.1997	11.2000	11.8116-0073.1	390498	GEHAEUSE-HALTEFEDER	4427 70 , 9404427708 , V89BB 2B486-AA , 1661473 , JLM 2196 , 8969123 , 3344689 , 3546381	
	2,0 T		01.1997	11.2000	11.8116-0073.1	390498	GEHAEUSE-HALTEFEDER	4427 70 , 9404427708 , V89BB 2B486-AA , 1661473 , JLM 2196 , 8969123 , 3344689 , 3546381	
	2,3		04.1999	09.2000	11.8116-0073.1	390498	GEHAEUSE-HALTEFEDER	4427 70 , 9404427708 , V89BB 2B486-AA , 1661473 , JLM 2196 , 8969123 , 3344689 , 3546381	
	2,3 T		01.1997	11.2000	11.8116-0073.1	390498	GEHAEUSE-HALTEFEDER	4427 70 , 9404427708 , V89BB 2B486-AA , 1661473 , JLM 2196 , 8969123 , 3344689 , 3546381	
	2,3 T5		01.1997	11.2000	11.8116-0073.1	390498	GEHAEUSE-HALTEFEDER	4427 70 , 9404427708 , V89BB 2B486-AA , 1661473 , JLM 2196 , 8969123 , 3344689 , 3546381	

New partnumbers on stock - according to applications

02/2010



					Description	OE numbers per ATE pn.	 e.g. replaced pn. / miscellaneous
--	--	--	--	--	-------------	------------------------	---------------------------------------

VOLVO

S70 (97-00)	2,4		01.1997	11.2000	11.8116-0073.1	390498	GEHAEUSE-HALTEFEDER	4427 70 , 9404427708 , V89BB 2B486-AA , 1661473 , JLM 2196 , 8969123 , 3344689 , 3546381	
			08.1999	11.2000	11.8116-0073.1	390498	GEHAEUSE-HALTEFEDER	4427 70 , 9404427708 , V89BB 2B486-AA , 1661473 , JLM 2196 , 8969123 , 3344689 , 3546381	
	2,4 4X4		10.1998	05.1999	11.8116-0073.1	390498	GEHAEUSE-HALTEFEDER	4427 70 , 9404427708 , V89BB 2B486-AA , 1661473 , JLM 2196 , 8969123 , 3344689 , 3546381	
			11.1996	05.1999	11.8116-0073.1	390498	GEHAEUSE-HALTEFEDER	4427 70 , 9404427708 , V89BB 2B486-AA , 1661473 , JLM 2196 , 8969123 , 3344689 , 3546381	
			04.1999	09.2000	11.8116-0073.1	390498	GEHAEUSE-HALTEFEDER	4427 70 , 9404427708 , V89BB 2B486-AA , 1661473 , JLM 2196 , 8969123 , 3344689 , 3546381	
	2,4 T		01.1997	11.2000	11.8116-0073.1	390498	GEHAEUSE-HALTEFEDER	4427 70 , 9404427708 , V89BB 2B486-AA , 1661473 , JLM 2196 , 8969123 , 3344689 , 3546381	
	2,5		06.1998	11.2000	11.8116-0073.1	390498	GEHAEUSE-HALTEFEDER	4427 70 , 9404427708 , V89BB 2B486-AA , 1661473 , JLM 2196 , 8969123 , 3344689 , 3546381	
			01.1997	11.2000	11.8116-0073.1	390498	GEHAEUSE-HALTEFEDER	4427 70 , 9404427708 , V89BB 2B486-AA , 1661473 , JLM 2196 , 8969123 , 3344689 , 3546381	

New partnumbers on stock - according to applications

02/2010



					Description	OE numbers per ATE pn.	 e.g. replaced pn. / miscellaneous
---	---	---	---	---	-------------	------------------------	--

VOLVO

S70 (97-00)	2,5 Bifuel		07.1997	09.2000	11.8116-0073.1	390498	GEHAEUSE-HALTEFEDER	4427 70 , 9404427708 , V89BB 2B486-AA , 1661473 , JLM 2196 , 8969123 , 3344689 , 3546381	
			07.1999	11.2000	11.8116-0073.1	390498	GEHAEUSE-HALTEFEDER	4427 70 , 9404427708 , V89BB 2B486-AA , 1661473 , JLM 2196 , 8969123 , 3344689 , 3546381	
			10.1998	11.2000	11.8116-0073.1	390498	GEHAEUSE-HALTEFEDER	4427 70 , 9404427708 , V89BB 2B486-AA , 1661473 , JLM 2196 , 8969123 , 3344689 , 3546381	
	2,5 TDI		01.1997	11.2000	11.8116-0073.1	390498	GEHAEUSE-HALTEFEDER	4427 70 , 9404427708 , V89BB 2B486-AA , 1661473 , JLM 2196 , 8969123 , 3344689 , 3546381	
S80 I (98-06)	2	RA	06.1998		24.0711-6019.3	360257	WHEEL SPEED SENSOR	9472457 , 9472096	
	2,0 T	RA	06.1998		24.0711-6019.3	360257	WHEEL SPEED SENSOR	9472457 , 9472096	
	2,4	RA	01.1999		24.0711-6019.3	360257	WHEEL SPEED SENSOR	9472457 , 9472096	
	2,5 TDI	RA	01.1999		24.0711-6019.3	360257	WHEEL SPEED SENSOR	9472457 , 9472096	
	2,8 T6	RA	05.1998		24.0711-6019.3	360257	WHEEL SPEED SENSOR	9472457 , 9472096	
	2,9	RA	05.1998		24.0711-6019.3	360257	WHEEL SPEED SENSOR	9472457 , 9472096	
		RA	03.1999		24.0711-6019.3	360257	WHEEL SPEED SENSOR	9472457 , 9472096	
S80 II (06-)	2		09.2007		11.8116-0206.1	390593	GEHAEUSE-HALTEFEDER	34 11 1 163 801 , 5W93 2B486-AB , 4778606 , LR002526 , 30671546	
		RA	09.2007	12.2007	24.0711-6221.3	360258	WHEEL SPEED SENSOR	30748148 , 30793636	

New partnumbers on stock - according to applications

02/2010



					Description	OE numbers per ATE pn.	 e.g. replaced pn. / miscellaneous
---	---	---	---	---	-------------	------------------------	--

VOLVO

S80 II (06-)	2	RA	01.2008		24.0711-6221.3	360258	WHEEL SPEED SENSOR	30748148 , 30793636	
	2,0 D		09.2007		11.8116-0206.1	390593	GEHAEUSE-HALTEFEDER	34 11 1 163 801 , 5W93 2B486-AB , 4778606 , LR002526 , 30671546	
		RA	01.2008		24.0711-6221.3	360258	WHEEL SPEED SENSOR	30748148 , 30793636	
		RA	09.2007	12.2007	24.0711-6221.3	360258	WHEEL SPEED SENSOR	30748148 , 30793636	
	2,0 FlexiFuel		09.2007		11.8116-0206.1	390593	GEHAEUSE-HALTEFEDER	34 11 1 163 801 , 5W93 2B486-AB , 4778606 , LR002526 , 30671546	
		RA	01.2008		24.0711-6221.3	360258	WHEEL SPEED SENSOR	30748148 , 30793636	
		RA	09.2007	12.2007	24.0711-6221.3	360258	WHEEL SPEED SENSOR	30748148 , 30793636	
	2,0 TDi		02.2008		11.8116-0206.1	390593	GEHAEUSE-HALTEFEDER	34 11 1 163 801 , 5W93 2B486-AB , 4778606 , LR002526 , 30671546	
		RA	02.2008		24.0711-6221.3	360258	WHEEL SPEED SENSOR	30748148 , 30793636	
	2,4 D		03.2006		11.8116-0206.1	390593	GEHAEUSE-HALTEFEDER	34 11 1 163 801 , 5W93 2B486-AB , 4778606 , LR002526 , 30671546	
			04.2009		11.8116-0206.1	390593	GEHAEUSE-HALTEFEDER	34 11 1 163 801 , 5W93 2B486-AB , 4778606 , LR002526 , 30671546	
		RA	03.2006	12.2007	24.0711-6221.3	360258	WHEEL SPEED SENSOR	30748148 , 30793636	
		RA	01.2008		24.0711-6221.3	360258	WHEEL SPEED SENSOR	30748148 , 30793636	
		RA	04.2009		24.0711-6221.3	360258	WHEEL SPEED SENSOR	30748148 , 30793636	

New partnumbers on stock - according to applications

02/2010



					Description	OE numbers per ATE pn.	
							e.g. replaced pn. / miscellaneous

VOLVO

S80 II (06-)	2,4 D5		03.2006		11.8116-0206.1	390593	GEHAEUSE-HALTEFEDER	34 11 1 163 801 , 5W93 2B486-AB , 4778606 , LR002526 , 30671546	
			11.2008		11.8116-0206.1	390593	GEHAEUSE-HALTEFEDER	34 11 1 163 801 , 5W93 2B486-AB , 4778606 , LR002526 , 30671546	
		RA	03.2006	12.2007	24.0711-6221.3	360258	WHEEL SPEED SENSOR	30748148 , 30793636	
		RA	01.2008		24.0711-6221.3	360258	WHEEL SPEED SENSOR	30748148 , 30793636	
		RA	11.2008		24.0711-6221.3	360258	WHEEL SPEED SENSOR	30748148 , 30793636	
	2,4 D5 AWD		01.2007		11.8116-0206.1	390593	GEHAEUSE-HALTEFEDER	34 11 1 163 801 , 5W93 2B486-AB , 4778606 , LR002526 , 30671546	
	2,5 T		03.2006		11.8116-0206.1	390593	GEHAEUSE-HALTEFEDER	34 11 1 163 801 , 5W93 2B486-AB , 4778606 , LR002526 , 30671546	
		RA	03.2006	12.2007	24.0711-6221.3	360258	WHEEL SPEED SENSOR	30748148 , 30793636	
		RA	01.2008		24.0711-6221.3	360258	WHEEL SPEED SENSOR	30748148 , 30793636	
	2,5 T AWD		10.2006		11.8116-0206.1	390593	GEHAEUSE-HALTEFEDER	34 11 1 163 801 , 5W93 2B486-AB , 4778606 , LR002526 , 30671546	
	2,5 T FlexiFuel		04.2008		11.8116-0206.1	390593	GEHAEUSE-HALTEFEDER	34 11 1 163 801 , 5W93 2B486-AB , 4778606 , LR002526 , 30671546	
		RA	04.2008		24.0711-6221.3	360258	WHEEL SPEED SENSOR	30748148 , 30793636	
	3,0 T6 AWD		01.2007		11.8116-0206.1	390593	GEHAEUSE-HALTEFEDER	34 11 1 163 801 , 5W93 2B486-AB , 4778606 , LR002526 , 30671546	

New partnumbers on stock - according to applications

02/2010



					Description	OE numbers per ATE pn.		e.g. replaced pn. / miscellaneous
--	--	--	--	--	-------------	------------------------	--	-----------------------------------

VOLVO

S80 II (06-)	3,2		03.2006		11.8116-0206.1	390593	GEHAEUSE-HALTEFEDER	34 11 1 163 801 , 5W93 2B486-AB , 4778606 , LR002526 , 30671546	
		RA	01.2008		24.0711-6221.3	360258	WHEEL SPEED SENSOR	30748148 , 30793636	
		RA	03.2006	12.2007	24.0711-6221.3	360258	WHEEL SPEED SENSOR	30748148 , 30793636	
	3,2 AWD		01.2007		11.8116-0206.1	390593	GEHAEUSE-HALTEFEDER	34 11 1 163 801 , 5W93 2B486-AB , 4778606 , LR002526 , 30671546	
	4,4		08.2006		11.8116-0206.1	390593	GEHAEUSE-HALTEFEDER	34 11 1 163 801 , 5W93 2B486-AB , 4778606 , LR002526 , 30671546	
		RA	01.2008		24.0711-6221.3	360258	WHEEL SPEED SENSOR	30748148 , 30793636	
		RA	08.2006	12.2007	24.0711-6221.3	360258	WHEEL SPEED SENSOR	30748148 , 30793636	
	4,4 AWD		03.2006		11.8116-0206.1	390593	GEHAEUSE-HALTEFEDER	34 11 1 163 801 , 5W93 2B486-AB , 4778606 , LR002526 , 30671546	
V70 I (97-00)	2		01.1997	03.2000	11.8116-0073.1	390498	GEHAEUSE-HALTEFEDER	4427 70 , 9404427708 , V89BB 2B486-AA , 1661473 , JLM 2196 , 8969123 , 3344689 , 3546381	
	2,0 20V		01.1997	03.2000	11.8116-0073.1	390498	GEHAEUSE-HALTEFEDER	4427 70 , 9404427708 , V89BB 2B486-AA , 1661473 , JLM 2196 , 8969123 , 3344689 , 3546381	
	2,0 T		01.1997	03.2000	11.8116-0073.1	390498	GEHAEUSE-HALTEFEDER	4427 70 , 9404427708 , V89BB 2B486-AA , 1661473 , JLM 2196 , 8969123 , 3344689 , 3546381	

New partnumbers on stock - according to applications

02/2010



					Description	OE numbers per ATE pn.	 e.g. replaced pn. / miscellaneous
---	---	---	---	---	-------------	------------------------	--

VOLVO

V70 I (97-00)	2,0 T AWD		01.1997	03.2000	11.8116-0073.1	390498	GEHAEUSE-HALTEFEDER	4427 70 , 9404427708 , V89BB 2B486-AA , 1661473 , JLM 2196 , 8969123 , 3344689 , 3546381	
	2,3 AWD		04.1997	09.1998	11.8116-0073.1	390498	GEHAEUSE-HALTEFEDER	4427 70 , 9404427708 , V89BB 2B486-AA , 1661473 , JLM 2196 , 8969123 , 3344689 , 3546381	
	2,3 T		01.1997	03.2000	11.8116-0073.1	390498	GEHAEUSE-HALTEFEDER	4427 70 , 9404427708 , V89BB 2B486-AA , 1661473 , JLM 2196 , 8969123 , 3344689 , 3546381	
	2,3 T AWD		04.1997	03.2000	11.8116-0073.1	390498	GEHAEUSE-HALTEFEDER	4427 70 , 9404427708 , V89BB 2B486-AA , 1661473 , JLM 2196 , 8969123 , 3344689 , 3546381	
	2,3 T5		01.1997	03.2000	11.8116-0073.1	390498	GEHAEUSE-HALTEFEDER	4427 70 , 9404427708 , V89BB 2B486-AA , 1661473 , JLM 2196 , 8969123 , 3344689 , 3546381	
	2,3 T5 AWD		01.1997	03.2000	11.8116-0073.1	390498	GEHAEUSE-HALTEFEDER	4427 70 , 9404427708 , V89BB 2B486-AA , 1661473 , JLM 2196 , 8969123 , 3344689 , 3546381	
	2,4		01.1997	03.2000	11.8116-0073.1	390498	GEHAEUSE-HALTEFEDER	4427 70 , 9404427708 , V89BB 2B486-AA , 1661473 , JLM 2196 , 8969123 , 3344689 , 3546381	
			08.1999	03.2000	11.8116-0073.1	390498	GEHAEUSE-HALTEFEDER	4427 70 , 9404427708 , V89BB 2B486-AA , 1661473 , JLM 2196 , 8969123 , 3344689 , 3546381	

New partnumbers on stock - according to applications

02/2010



					Description	OE numbers per ATE pn.	 e.g. replaced pn. / miscellaneous
---	---	---	---	---	-------------	------------------------	--

VOLVO

V70 I (97-00)	2,4 AWD		10.1998	05.1999	11.8116-0073.1	390498	GEHAEUSE-HALTEFEDER	4427 70 , 9404427708 , V89BB 2B486-AA , 1661473 , JLM 2196 , 8969123 , 3344689 , 3546381	
	2,4 Bi-Fuel		08.1999	03.2000	11.8116-0073.1	390498	GEHAEUSE-HALTEFEDER	4427 70 , 9404427708 , V89BB 2B486-AA , 1661473 , JLM 2196 , 8969123 , 3344689 , 3546381	
	2,4 T		01.1997	03.2000	11.8116-0073.1	390498	GEHAEUSE-HALTEFEDER	4427 70 , 9404427708 , V89BB 2B486-AA , 1661473 , JLM 2196 , 8969123 , 3344689 , 3546381	
	2,5		01.1997	03.2000	11.8116-0073.1	390498	GEHAEUSE-HALTEFEDER	4427 70 , 9404427708 , V89BB 2B486-AA , 1661473 , JLM 2196 , 8969123 , 3344689 , 3546381	
			06.1998	03.2000	11.8116-0073.1	390498	GEHAEUSE-HALTEFEDER	4427 70 , 9404427708 , V89BB 2B486-AA , 1661473 , JLM 2196 , 8969123 , 3344689 , 3546381	
	2,5 AWD		03.1999	03.2000	11.8116-0073.1	390498	GEHAEUSE-HALTEFEDER	4427 70 , 9404427708 , V89BB 2B486-AA , 1661473 , JLM 2196 , 8969123 , 3344689 , 3546381	
	2,5 Bi-Fuel		10.1998	08.1999	11.8116-0073.1	390498	GEHAEUSE-HALTEFEDER	4427 70 , 9404427708 , V89BB 2B486-AA , 1661473 , JLM 2196 , 8969123 , 3344689 , 3546381	
	2,5 T AWD		01.1997	03.2000	11.8116-0073.1	390498	GEHAEUSE-HALTEFEDER	4427 70 , 9404427708 , V89BB 2B486-AA , 1661473 , JLM 2196 , 8969123 , 3344689 , 3546381	

New partnumbers on stock - according to applications

02/2010



					Description	OE numbers per ATE pn.	
							e.g. replaced pn. / miscellaneous

VOLVO

V70 I (97-00)	2,5 TDI		01.1997	03.2000	11.8116-0073.1	390498	GEHAEUSE-HALTEFEDER	4427 70 , 9404427708 , V89BB 2B486-AA , 1661473 , JLM 2196 , 8969123 , 3344689 , 3546381	
V70 III (07-)	2		10.2007		11.8116-0206.1	390593	GEHAEUSE-HALTEFEDER	34 11 1 163 801 , 5W93 2B486-AB , 4778606 , LR002526 , 30671546	
		RA	10.2007		24.0711-6221.3	360258	WHEEL SPEED SENSOR	30748148 , 30793636	
	2,0 D		10.2007		11.8116-0206.1	390593	GEHAEUSE-HALTEFEDER	34 11 1 163 801 , 5W93 2B486-AB , 4778606 , LR002526 , 30671546	
		RA	10.2007		24.0711-6221.3	360258	WHEEL SPEED SENSOR	30748148 , 30793636	
	2,0 FlexiFuel		09.2007		11.8116-0206.1	390593	GEHAEUSE-HALTEFEDER	34 11 1 163 801 , 5W93 2B486-AB , 4778606 , LR002526 , 30671546	
		RA	09.2007		24.0711-6221.3	360258	WHEEL SPEED SENSOR	30748148 , 30793636	
	2,4 D		08.2007		11.8116-0206.1	390593	GEHAEUSE-HALTEFEDER	34 11 1 163 801 , 5W93 2B486-AB , 4778606 , LR002526 , 30671546	
		RA	08.2007		24.0711-6221.3	360258	WHEEL SPEED SENSOR	30748148 , 30793636	
	2,4 D5		08.2007		11.8116-0206.1	390593	GEHAEUSE-HALTEFEDER	34 11 1 163 801 , 5W93 2B486-AB , 4778606 , LR002526 , 30671546	
		RA	08.2007		24.0711-6221.3	360258	WHEEL SPEED SENSOR	30748148 , 30793636	
	2,4 D5 AWD		10.2007		11.8116-0206.1	390593	GEHAEUSE-HALTEFEDER	34 11 1 163 801 , 5W93 2B486-AB , 4778606 , LR002526 , 30671546	

New partnumbers on stock - according to applications

02/2010



				Description	OE numbers per ATE pn.	 e.g. replaced pn. / miscellaneous
--	--	--	--	-------------	------------------------	---------------------------------------

VOLVO

V70 III (07-)	2,5 T		08.2007		11.8116-0206.1	390593	GEHAEUSE-HALTEFEDER	34 11 1 163 801 , 5W93 2B486-AB , 4778606 , LR002526 , 30671546	
		RA	08.2007		24.0711-6221.3	360258	WHEEL SPEED SENSOR	30748148 , 30793636	
	2,5 T FlexiFuel		04.2008		11.8116-0206.1	390593	GEHAEUSE-HALTEFEDER	34 11 1 163 801 , 5W93 2B486-AB , 4778606 , LR002526 , 30671546	
		RA	04.2008		24.0711-6221.3	360258	WHEEL SPEED SENSOR	30748148 , 30793636	
	3,0 T6 AWD		08.2007		11.8116-0206.1	390593	GEHAEUSE-HALTEFEDER	34 11 1 163 801 , 5W93 2B486-AB , 4778606 , LR002526 , 30671546	
	3,2		08.2007		11.8116-0206.1	390593	GEHAEUSE-HALTEFEDER	34 11 1 163 801 , 5W93 2B486-AB , 4778606 , LR002526 , 30671546	
		RA	08.2007		24.0711-6221.3	360258	WHEEL SPEED SENSOR	30748148 , 30793636	
	3,2 AWD		08.2007		11.8116-0206.1	390593	GEHAEUSE-HALTEFEDER	34 11 1 163 801 , 5W93 2B486-AB , 4778606 , LR002526 , 30671546	
XC70 II CROSS COUNTRY (07-)	2,4 D AWD		08.2007		11.8116-0206.1	390593	GEHAEUSE-HALTEFEDER	34 11 1 163 801 , 5W93 2B486-AB , 4778606 , LR002526 , 30671546	
	2,4 D5 AWD		08.2007		11.8116-0206.1	390593	GEHAEUSE-HALTEFEDER	34 11 1 163 801 , 5W93 2B486-AB , 4778606 , LR002526 , 30671546	
	3,0 T6 AWD		01.2008		11.8116-0206.1	390593	GEHAEUSE-HALTEFEDER	34 11 1 163 801 , 5W93 2B486-AB , 4778606 , LR002526 , 30671546	

New partnumbers on stock - according to applications

02/2010



	i				Description	OE numbers per ATE pn.	i e.g. replaced pn. / miscellaneous
--	----------	--	--	--	--------------------	-----------------------------------	--

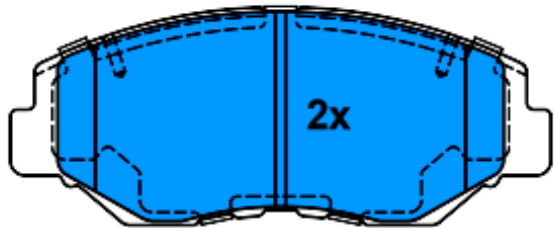
VOLVO

XC70 II CROSS COUNTRY (07-)	3,2 AWD		08.2007		11.8116-0206.1	390593	GEHAEUSE-HALTEFEDER	34 11 1 163 801 , 5W93 2B486-AB , 4778606 , LR002526 , 30671546	
-----------------------------	---------	--	---------	--	----------------	--------	---------------------	---	--

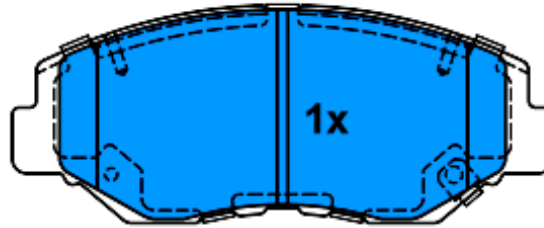


13.0460-5860.2 605860

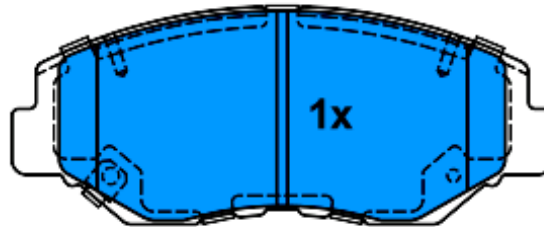
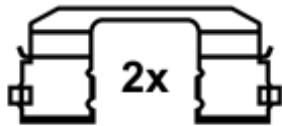
Applications:
HONDA CR-V II (02-06)



23868 17,1



23869 17,1



23870 17,1

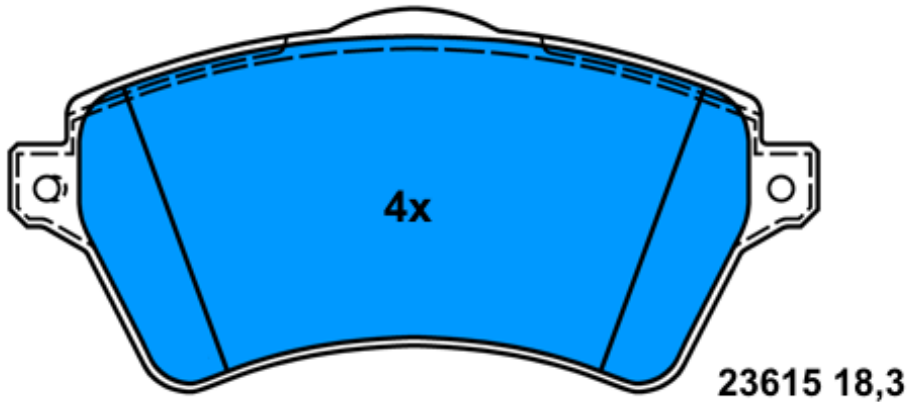
141,7 x 56,7



13.0460-2718.2 602718

Applications:

LAND ROVER FREELANDER (LN) (98-07)



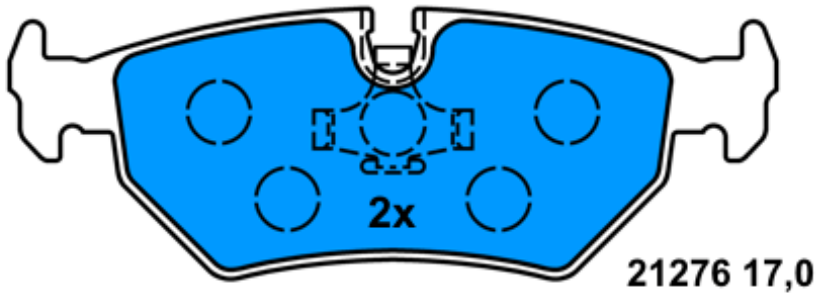
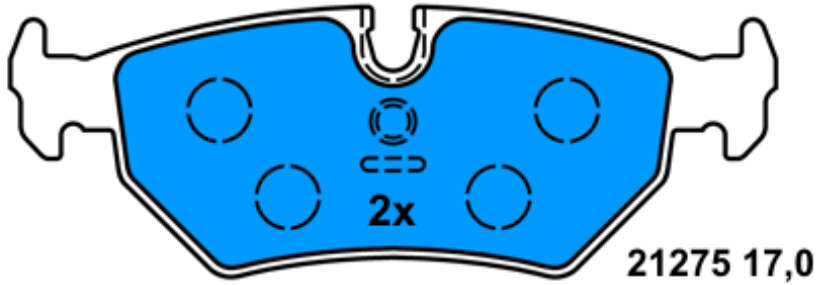
131,4 x 62,1



13.0460-7246.2 607246

Applications:

JAGUAR XJ (XJ 40,81) (86-94)
JAGUAR XJS (88-96)



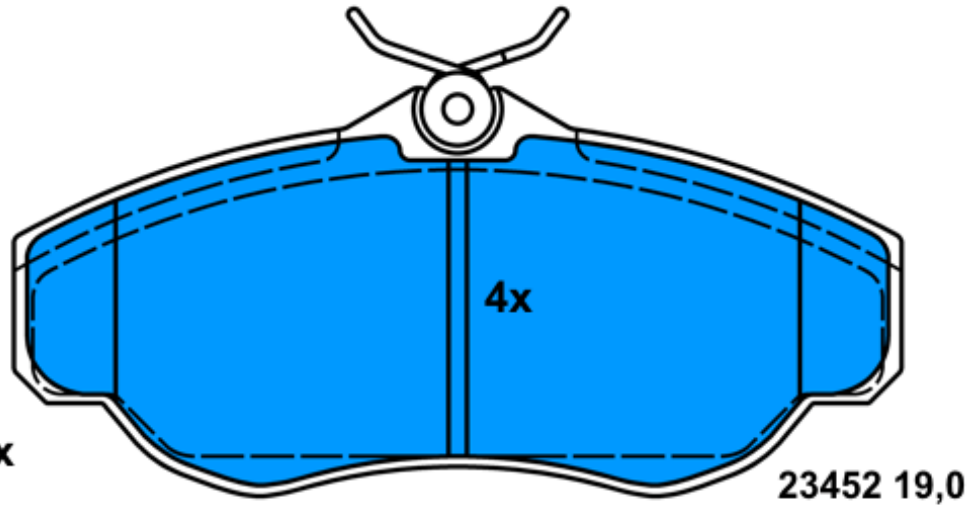
123,0 x 43,0



13.0460-2720.2 602720

Applications:

LAND ROVER DISCOVERY II (94-04)
LAND ROVER RANGE ROVER II (LP) (94-02)



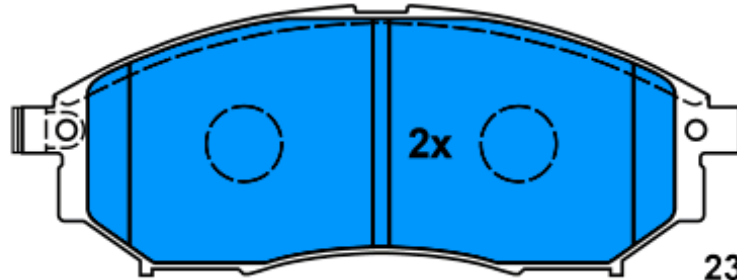
144,8 x 66,3



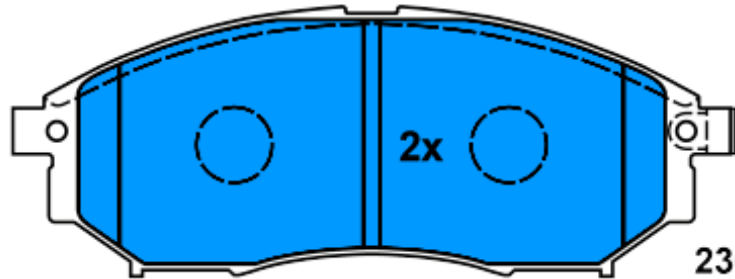
13.0460-5778.2 605778

Applications:

- NISSAN MURANO (Z50) (03-)
- NISSAN NAVARA (D40M) (05-)
- NISSAN PATHFINDER (R51M) (05-)



23699 16,8



23698 16,8

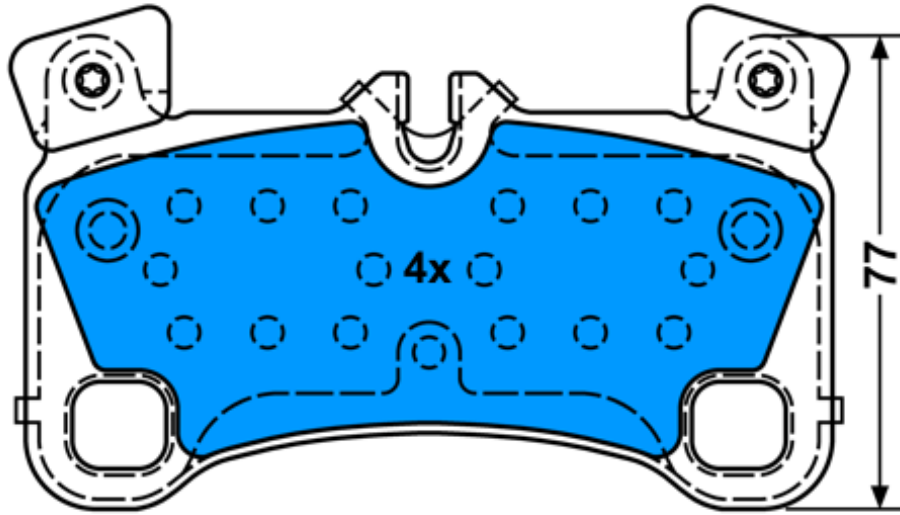
157,0 x 58,5



13.0460-4850.2 604850

Applications:

PORSCHE CAYENNE (03-)
AUDI Q7 (06-)
VOLKSWAGEN TOUAREG (03-)



132,1 x 77,0

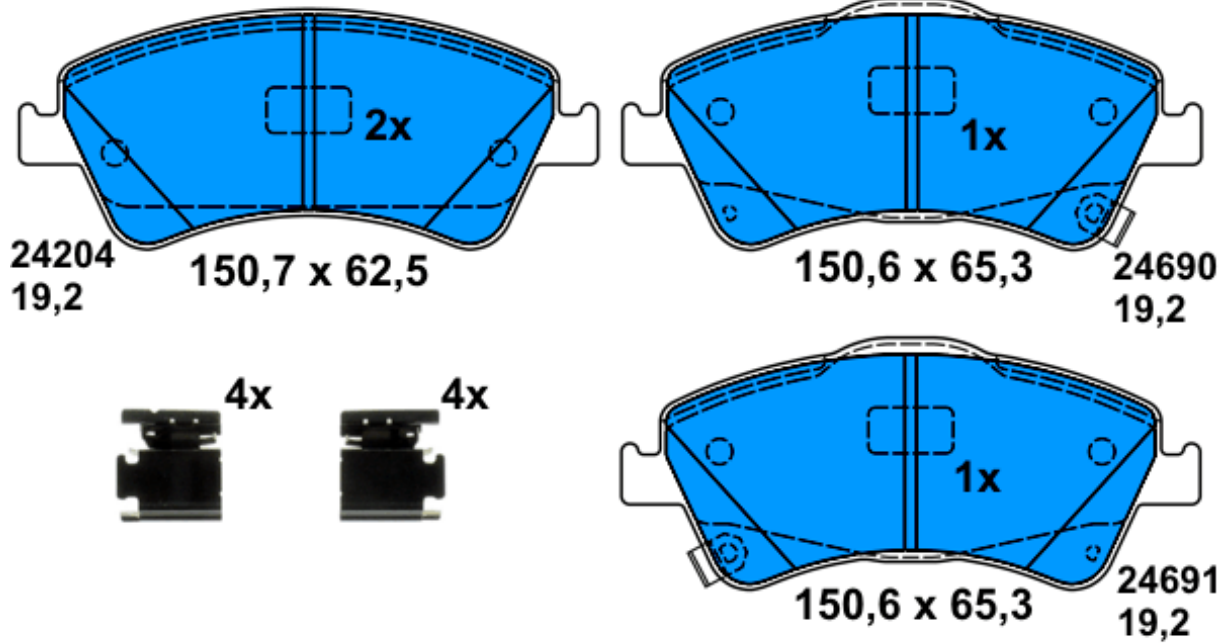
24296 16,3



13.0460-5603.2 605603

Applications:

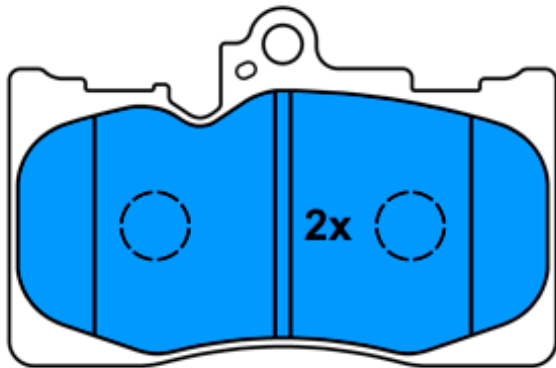
TOYOTA AURIS (07-)
TOYOTA COROLLA (06-)



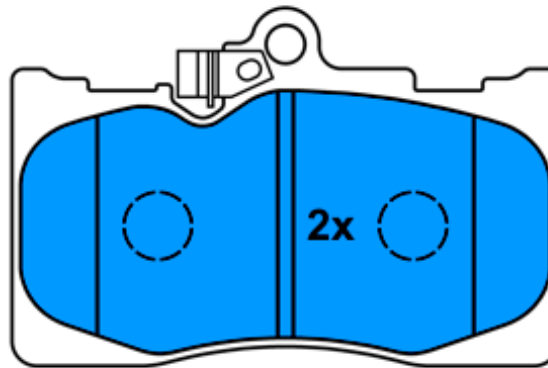


13.0460-5789.2 605789

Applications:
LEXUS GS (05-)



20325 17,2



24396 17,2

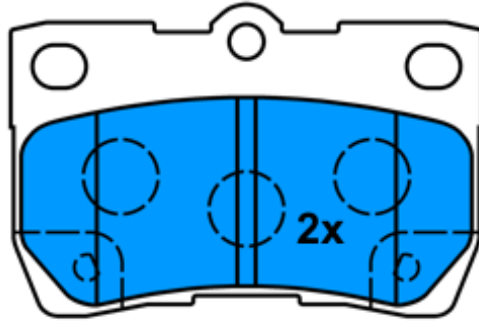
118,5 x 77,7



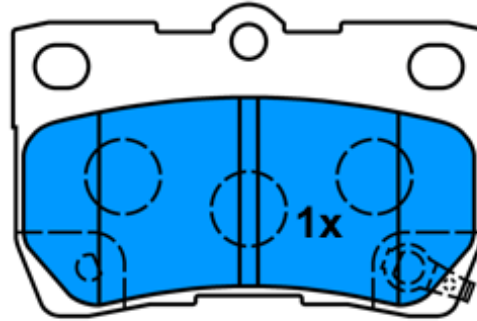
13.0460-5790.2 605790

Applications:

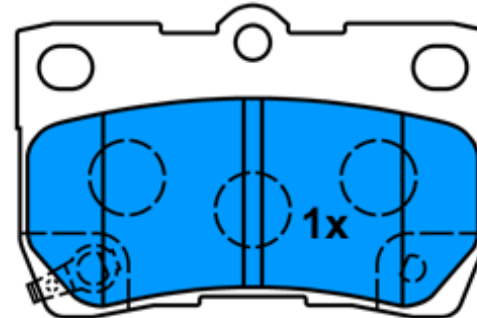
LEXUS GS (05-)
LEXUS IS 220/250 (05-)



24323 15,5



24324 15,5



24325 15,5

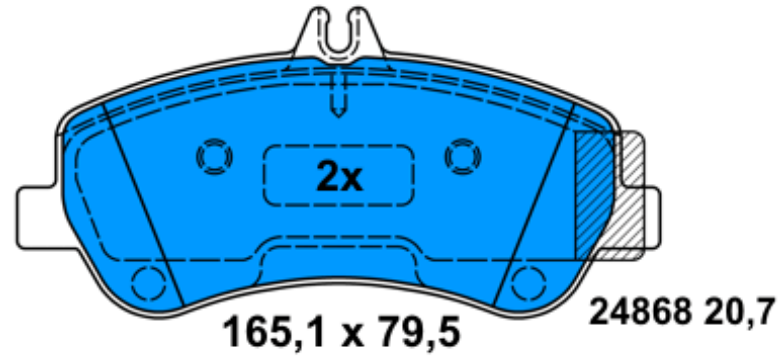
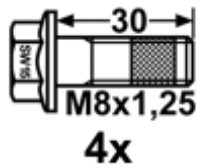
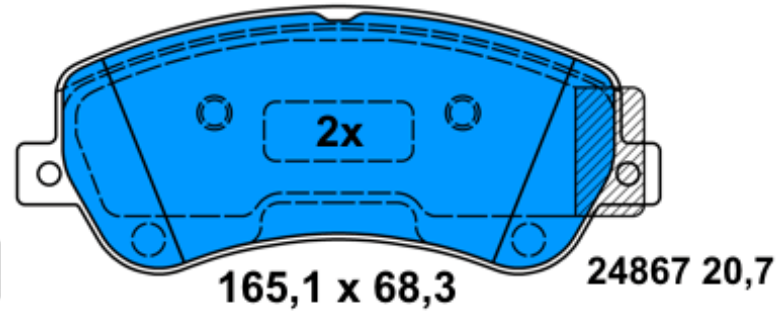
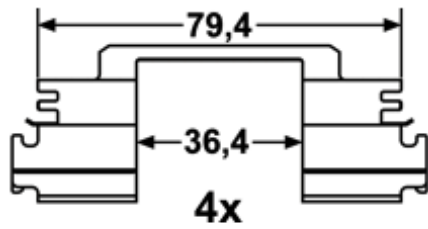
88,0 x 58,2



13.0460-3852.2 603852

Applications:

MERCEDES BENZ GLK-Class (X204) (08-)

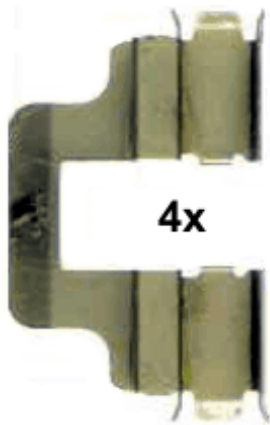




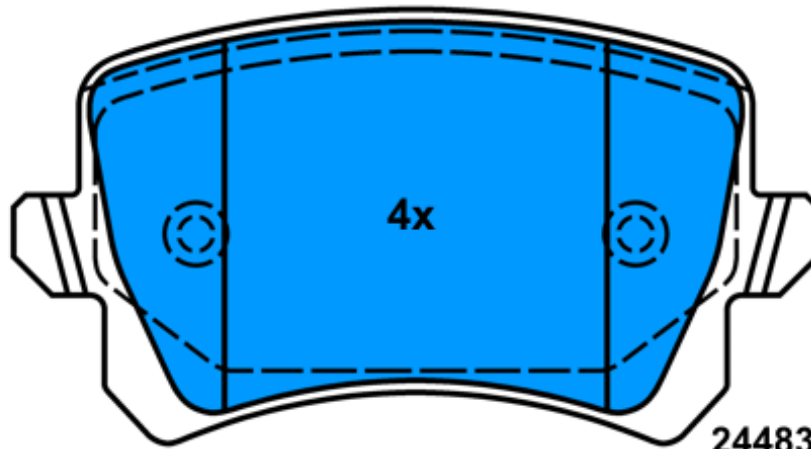
13.0460-2749.2 602749

Applications:

VOLKSWAGEN TIGUAN (07-)



4x



4x

24483 16,9



4x

M8x22

105,2 x 56,4