

New partnumbers on stock
according to ATE pn.



12/2012



www.ate.de



					OE numbers per ATE pn.		e.g. replaced pn. / miscellaneous
--	--	--	--	--	------------------------	--	-----------------------------------



BAH - Drum brake shoes rear

03.0137-0501.2	650501	MAZDA	2 (DE) (07-)	1,3 16V	10.2007	DFY1-26-38Z , DFY3-26-38Z
		MAZDA	2 (DE) (07-)	1,6 MZ-CD	10.2008	DFY1-26-38Z , DFY3-26-38Z
		MAZDA	2 (DE) (07-)		06.2011	DFY1-26-38Z , DFY3-26-38Z
		MAZDA	2 (DE) (07-)	1,5 MZR	06.2011	DFY1-26-38Z , DFY3-26-38Z
		MAZDA	2 (DE) (07-)	1,5 16V	10.2007	DFY1-26-38Z , DFY3-26-38Z
		MAZDA	2 (DE) (07-)	1,3 MZR	01.2010	DFY1-26-38Z , DFY3-26-38Z
		MAZDA	2 (DE) (07-)	1,4 MZR-CD	01.2008	DFY1-26-38Z , DFY3-26-38Z
03.0137-0503.2	650503	SUZUKI	ALTO (09-)	1,0 i 12V (AMF310)	01.2009	53200M68K00 , 44060-4A00F
		NISSAN	PIXO (K10B) (09-)	1,0 i 12V	06.2009	53200M68K00 , 44060-4A00F



BKV - Booster unit

03.7755-1232.4	300260	LAND ROVER	FREELANDER 2 (FA) (07-)	3,2	01.2007	LR025443 , LR014371 , LR001049
		LAND ROVER	FREELANDER 2 (FA) (07-)	3,2 i6 HSE 4x4	10.2006	LR025443 , LR014371 , LR001049
		LAND ROVER	FREELANDER 2 (FA) (07-)	2,2 TD4 4x4	10.2006	LR025443 , LR014371 , LR001049
		LAND ROVER	FREELANDER 2 (FA) (07-)	2,2 TD4	10.2006	LR025443 , LR014371 , LR001049



					OE numbers per ATE pn.		e.g. replaced pn. / miscellaneous
--	--	--	--	--	------------------------	--	-----------------------------------



BKV - Booster unit

03.7755-1232.4	300260	LAND ROVER	FREELANDER 2 (FA) (07-)	2,2 TD4		08.2010		LR025443 , LR014371 , LR001049	
		LAND ROVER	FREELANDER 2 (FA) (07-)			01.2007		LR025443 , LR014371 , LR001049	
		LAND ROVER	FREELANDER 2 (FA) (07-)	2,2 SD4		08.2010		LR025443 , LR014371 , LR001049	
03.7858-0102.4	300262	MERCEDES BENZ	S-Class (W140) (93-98)	S 320			10.1998	004 430 79 30	
		MERCEDES BENZ	S-Class (W140) (93-98)	S 350 TD			06.1996	004 430 79 30	
		MERCEDES BENZ	S-Class (W140) (93-98)	S 300 TD			10.1998	004 430 79 30	
		MERCEDES BENZ	S-Class (W140) (93-98)	S 280 / 300 SE 2,8			10.1998	004 430 79 30	
03.7858-1932.4	300263	MERCEDES BENZ	CL-Class (C216) Coupe (06-)	CL 500 4-Matic		03.2008		005 430 74 30 , 221 430 08 30 , 221 430 25 30 , 221 430 22 30 , 221 430 12 30 , 221 430 14 30	
		MERCEDES BENZ	CL-Class (C216) Coupe (06-)	CL 500 BlueEfficiency		10.2010		005 430 74 30 , 221 430 08 30 , 221 430 25 30 , 221 430 22 30 , 221 430 12 30 , 221 430 14 30	
		MERCEDES BENZ	CL-Class (C216) Coupe (06-)	CL 63 AMG		01.2007		005 430 74 30 , 221 430 08 30 , 221 430 25 30 , 221 430 22 30 , 221 430 12 30 , 221 430 14 30	
		MERCEDES BENZ	CL-Class (C216) Coupe (06-)	CL 65 AMG		01.2007		005 430 74 30 , 221 430 08 30 , 221 430 25 30 , 221 430 22 30 , 221 430 12 30 , 221 430 14 30	



					OE numbers per ATE pn.		e.g. replaced pn. / miscellaneous
--	--	--	--	--	-------------------------------	--	--



BKV - Booster unit

03.7858-1932.4	300263	MERCEDES BENZ	CL-Class (C216) Coupe (06-)	CL 500		07.2006	005 430 74 30 , 221 430 08 30 , 221 430 25 30 , 221 430 22 30 , 221 430 12 30 , 221 430 14 30	
		MERCEDES BENZ	CLS-Klasse (X218) Shooting Brake (12-)	CLS 250 CDI		09.2012	005 430 74 30 , 221 430 08 30 , 221 430 25 30 , 221 430 22 30 , 221 430 12 30 , 221 430 14 30	
		MERCEDES BENZ	CLS-Klasse (X218) Shooting Brake (12-)	CLS 350		09.2012	005 430 74 30 , 221 430 08 30 , 221 430 25 30 , 221 430 22 30 , 221 430 12 30 , 221 430 14 30	
		MERCEDES BENZ	CLS-Klasse (X218) Shooting Brake (12-)	CLS 350 CDI		09.2012	005 430 74 30 , 221 430 08 30 , 221 430 25 30 , 221 430 22 30 , 221 430 12 30 , 221 430 14 30	
		MERCEDES BENZ	CLS-Klasse (X218) Shooting Brake (12-)	CLS 350 CDI 4matic		09.2012	005 430 74 30 , 221 430 08 30 , 221 430 25 30 , 221 430 22 30 , 221 430 12 30 , 221 430 14 30	
		MERCEDES BENZ	S-Class (W221) (06-)	S 320 CDI 4-Matic		05.2006	005 430 74 30 , 221 430 08 30 , 221 430 25 30 , 221 430 22 30 , 221 430 12 30 , 221 430 14 30	
		MERCEDES BENZ	S-Class (W221) (06-)	S 500 4-Matic		04.2006	005 430 74 30 , 221 430 08 30 , 221 430 25 30 , 221 430 22 30 , 221 430 12 30 , 221 430 14 30	
		MERCEDES BENZ	S-Class (W221) (06-)	S 500		12.2005	005 430 74 30 , 221 430 08 30 , 221 430 25 30 , 221 430 22 30 , 221 430 12 30 , 221 430 14 30	



					OE numbers per ATE pn.		e.g. replaced pn. / miscellaneous
--	--	--	--	--	------------------------	--	-----------------------------------



BKV - Booster unit

03.7858-1932.4	300263	MERCEDES BENZ	S-Class (W221) (06-)	S 450 4-Matic		04.2006	005 430 74 30 , 221 430 08 30 , 221 430 25 30 , 221 430 22 30 , 221 430 12 30 , 221 430 14 30	
		MERCEDES BENZ	S-Class (W221) (06-)	S 450		04.2006	005 430 74 30 , 221 430 08 30 , 221 430 25 30 , 221 430 22 30 , 221 430 12 30 , 221 430 14 30	
		MERCEDES BENZ	S-Class (W221) (06-)	S 420 CDI / S 450 CDI		04.2006	005 430 74 30 , 221 430 08 30 , 221 430 25 30 , 221 430 22 30 , 221 430 12 30 , 221 430 14 30	
		MERCEDES BENZ	S-Class (W221) (06-)	S 350		12.2005	005 430 74 30 , 221 430 08 30 , 221 430 25 30 , 221 430 22 30 , 221 430 12 30 , 221 430 14 30	
		MERCEDES BENZ	S-Class (W221) (06-)	S 320 CDI / S 350 CDI		12.2005	005 430 74 30 , 221 430 08 30 , 221 430 25 30 , 221 430 22 30 , 221 430 12 30 , 221 430 14 30	
		MERCEDES BENZ	S-Class (W221) (06-)	S 280 / S 300		04.2006	005 430 74 30 , 221 430 08 30 , 221 430 25 30 , 221 430 22 30 , 221 430 12 30 , 221 430 14 30	
		MERCEDES BENZ	S-Class (W221) (06-)	S 63 AMG		01.2007	005 430 74 30 , 221 430 08 30 , 221 430 25 30 , 221 430 22 30 , 221 430 12 30 , 221 430 14 30	
		MERCEDES BENZ	S-Class (W221) (06-)	S 350 4-Matic		02.2007	005 430 74 30 , 221 430 08 30 , 221 430 25 30 , 221 430 22 30 , 221 430 12 30 , 221 430 14 30	



					OE numbers per ATE pn.		e.g. replaced pn. / miscellaneous
--	--	--	--	--	------------------------	--	-----------------------------------



BKV - Booster unit

03.7750-8532.4	300264	RENAULT	LOGAN (LS_) (04-)	1,4		09.2004	10.2009	60 01 551 312	
		RENAULT	LOGAN (LS_) (04-)	1,5 dCi		02.2008	10.2009	60 01 551 312	
		RENAULT	LOGAN (LS_) (04-)			04.2007	10.2009	60 01 551 312	
		RENAULT	LOGAN (LS_) (04-)	1,6		04.2007	10.2009	60 01 551 312	
		RENAULT	LOGAN (LS_) (04-)			09.2004	10.2009	60 01 551 312	
		DACIA	LOGAN Express (FS_) (09-)	1,4		03.2009		60 01 551 312	
		DACIA	LOGAN Express (FS_) (09-)	1,5 dCi		05.2010		60 01 551 312	
		DACIA	LOGAN Express (FS_) (09-)	1,6 Bifuel		05.2010		60 01 551 312	
		DACIA	LOGAN Express (FS_) (09-)	1,6 MPI 85		05.2010		60 01 551 312	
		DACIA	LOGAN Express (FS_) (09-)	1,5 dCi		03.2009		60 01 551 312	
		RENAULT	LOGAN Kombi (KS_) (04-)	1,6		04.2007	10.2009	60 01 551 312	
		RENAULT	LOGAN Kombi (KS_) (04-)	1,4		10.2007	10.2009	60 01 551 312	
		RENAULT	LOGAN Kombi (KS_) (04-)	1,5 dCi		02.2008	10.2009	60 01 551 312	
		RENAULT	LOGAN Kombi (KS_) (04-)			04.2007	10.2009	60 01 551 312	
		DACIA	LOGAN Limousine (LS_) (04-)			09.2007		60 01 551 312	
		DACIA	LOGAN MCV Kombi (KS_) (07-)	1,6 16V		02.2007		60 01 551 312	
		DACIA	LOGAN MCV Kombi (KS_) (07-)	1,5 dCi		02.2007		60 01 551 312	
		DACIA	LOGAN MCV Kombi (KS_) (07-)			05.2010		60 01 551 312	



					OE numbers per ATE pn.		e.g. replaced pn. / miscellaneous
--	--	--	--	--	------------------------	--	-----------------------------------



BKV - Booster unit

03.7750-8532.4	300264	DACIA	LOGAN MCV Kombi (KS_) (07-)	1,6	02.2007	60 01 551 312
		DACIA	LOGAN MCV Kombi (KS_) (07-)	1,6 16V Flexifuel	11.2009	60 01 551 312
		DACIA	LOGAN MCV Kombi (KS_) (07-)	1,6 Bifuel	11.2008	60 01 551 312
		DACIA	LOGAN MCV Kombi (KS_) (07-)	1,6 MPI 85	05.2010	60 01 551 312
		DACIA	LOGAN MCV Kombi (KS_) (07-)	1,4	02.2007	60 01 551 312
		DACIA	LOGAN MCV Kombi (KS_) (07-)	1,5 dCi	09.2007	60 01 551 312
		DACIA	LOGAN Pick-up (US_) (08-)		03.2008	60 01 551 312
		DACIA	LOGAN Pick-up (US_) (08-)	1,6 MPI 85	05.2010	60 01 551 312
		DACIA	LOGAN Pick-up (US_) (08-)	1,4	01.2009	60 01 551 312
		DACIA	LOGAN Pick-up (US_) (08-)	1,6 Bifuel	05.2010	60 01 551 312
		DACIA	LOGAN Pick-up (US_) (08-)	1,6	03.2008	60 01 551 312
		DACIA	LOGAN Pick-up (US_) (08-)	1,5 dCi	05.2010	60 01 551 312
		DACIA	SANDERO (08-)		11.2008	60 01 551 312
03.7755-0132.4	300265	VOLVO	XC60 (08-)	2,4 D5 AWD	04.2009	31261831 , 31274810
		VOLVO	XC60 (08-)	3,2 AWD	04.2009	31261831 , 31274810
		VOLVO	XC60 (08-)	2,4 D5	06.2011	31261831 , 31274810
		VOLVO	XC60 (08-)	2,4 D AWD	09.2008	31261831 , 31274810
		VOLVO	XC60 (08-)	2,4 D	07.2009	31261831 , 31274810



					OE numbers per ATE pn.		e.g. replaced pn. / miscellaneous
--	--	--	--	--	------------------------	--	-----------------------------------



BKV - Booster unit

03.7755-0132.4	300265	VOLVO		XC60 (08-)	2,4 D	04.2009		31261831 , 31274810	
		VOLVO		XC60 (08-)	2,4 D5 AWD	06.2011		31261831 , 31274810	
		VOLVO		XC60 (08-)	2,0 D3 DRIVe	03.2010		31261831 , 31274810	
		VOLVO		XC60 (08-)	2,4 D5 AWD	09.2008		31261831 , 31274810	
		VOLVO		XC60 (08-)	3,0 T6 AWD	03.2010		31261831 , 31274810	
		VOLVO		XC60 (08-)		09.2008		31261831 , 31274810	
		VOLVO		XC60 (08-)	3,2 AWD	03.2010		31261831 , 31274810	
		VOLVO		XC70 II CROSS COUNTRY (07-)	3,2	08.2007		31261831 , 31274810	
		VOLVO		XC70 II CROSS COUNTRY (07-)	2,4 D5 AWD	12.2009		31261831 , 31274810	
		VOLVO		XC70 II CROSS COUNTRY (07-)		08.2007		31261831 , 31274810	
		VOLVO		XC70 II CROSS COUNTRY (07-)	2,0 D3	08.2011		31261831 , 31274810	
		VOLVO		XC70 II CROSS COUNTRY (07-)	3,2 AWD	08.2007		31261831 , 31274810	
		VOLVO		XC70 II CROSS COUNTRY (07-)	2,4 D AWD	08.2007		31261831 , 31274810	
		VOLVO		XC70 II CROSS COUNTRY (07-)	3,0 T6 AWD	01.2008		31261831 , 31274810	
		VOLVO		XC70 II CROSS COUNTRY (07-)	2,4 D	01.2010		31261831 , 31274810	
		VOLVO		XC70 II CROSS COUNTRY (07-)	2,0 D3 AWD	08.2011		31261831 , 31274810	
		VOLVO		XC70 II CROSS COUNTRY (07-)	3,0 T6 AWD	01.2010		31261831 , 31274810	
		VOLVO		XC70 II CROSS COUNTRY (07-)	2,4 D5 AWD	06.2011		31261831 , 31274810	



					OE numbers per ATE pn.		e.g. replaced pn. / miscellaneous
--	--	--	--	--	-------------------------------	--	--



BKV - Booster unit

03.7760-2232.4	300266	FORD		FOCUS C-MAX (03-07)	1,8 i 16V		09.2006	03.2007	1509067 , 1516965 , 6M51-2005-BC , 6M51-2005-BD , 1689409 , 6M51-2005-BE	
		FORD		FOCUS C-MAX (03-07)	1,8 TDCi		09.2006	03.2007	1509067 , 1516965 , 6M51-2005-BC , 6M51-2005-BD , 1689409 , 6M51-2005-BE	
		FORD		FOCUS C-MAX (03-07)	2,0 i 16V		09.2006	03.2007	1509067 , 1516965 , 6M51-2005-BC , 6M51-2005-BD , 1689409 , 6M51-2005-BE	
		FORD		FOCUS C-MAX (03-07)	2,0 TDCi		09.2006	03.2007	1509067 , 1516965 , 6M51-2005-BC , 6M51-2005-BD , 1689409 , 6M51-2005-BE	
		FORD		FOCUS C-MAX (03-07)	1,6 TDCi		09.2006	03.2007	1509067 , 1516965 , 6M51-2005-BC , 6M51-2005-BD , 1689409 , 6M51-2005-BE	
		FORD		FOCUS C-MAX (03-07)	1,6 i 16V		09.2006	03.2007	1509067 , 1516965 , 6M51-2005-BC , 6M51-2005-BD , 1689409 , 6M51-2005-BE	
		FORD		FOCUS C-MAX (03-07)	1,6 Ti VCT		09.2006	03.2007	1509067 , 1516965 , 6M51-2005-BC , 6M51-2005-BD , 1689409 , 6M51-2005-BE	
		FORD		FOCUS II (05-11)	1,6 TDCi		09.2007	02.2011	1509067 , 1516965 , 6M51-2005-BC , 6M51-2005-BD , 1689409 , 6M51-2005-BE	
		FORD		FOCUS II (05-11)	1,6 i 16V		09.2007	02.2011	1509067 , 1516965 , 6M51-2005-BC , 6M51-2005-BD , 1689409 , 6M51-2005-BE	



					OE numbers per ATE pn.		e.g. replaced pn. / miscellaneous
--	--	--	--	--	-------------------------------	--	--



BKV - Booster unit

03.7760-2232.4	300266	FORD		FOCUS II (05-11)	2,0 TDCi		02.2008	02.2011	1509067 , 1516965 , 6M51-2005-BC , 6M51-2005-BD , 1689409 , 6M51-2005-BE	
		FORD		FOCUS II (05-11)	1,6 Ti VCT		09.2007	02.2011	1509067 , 1516965 , 6M51-2005-BC , 6M51-2005-BD , 1689409 , 6M51-2005-BE	
		FORD		FOCUS II (05-11)	1,4 i 16V		09.2007	02.2011	1509067 , 1516965 , 6M51-2005-BC , 6M51-2005-BD , 1689409 , 6M51-2005-BE	
		FORD		FOCUS II (05-11)	1,8 i 16V		09.2007	02.2011	1509067 , 1516965 , 6M51-2005-BC , 6M51-2005-BD , 1689409 , 6M51-2005-BE	
		FORD		FOCUS II (05-11)	2,0 i 16V		09.2007	02.2011	1509067 , 1516965 , 6M51-2005-BC , 6M51-2005-BD , 1689409 , 6M51-2005-BE	
		FORD		FOCUS II (05-11)	2,0 TDCi		09.2007	02.2011	1509067 , 1516965 , 6M51-2005-BC , 6M51-2005-BD , 1689409 , 6M51-2005-BE	
		FORD		FOCUS II (05-11)	1,8 TDCi		09.2007	02.2011	1509067 , 1516965 , 6M51-2005-BC , 6M51-2005-BD , 1689409 , 6M51-2005-BE	
		FORD		KUGA I (08-)	2,0 TDCi		03.2010		1509067 , 1516965 , 6M51-2005-BC , 6M51-2005-BD , 1689409 , 6M51-2005-BE	
		FORD		KUGA I (08-)			04.2008		1509067 , 1516965 , 6M51-2005-BC , 6M51-2005-BD , 1689409 , 6M51-2005-BE	



					OE numbers per ATE pn.		e.g. replaced pn. / miscellaneous
--	--	--	--	--	------------------------	--	-----------------------------------



BKV - Booster unit

03.7760-2232.4	300266	FORD		KUGA I (08-)	2,0 TDCi 4x4		03.2010		1509067 , 1516965 , 6M51-2005-BC , 6M51-2005-BD , 1689409 , 6M51-2005-BE
		FORD		KUGA I (08-)			04.2008		1509067 , 1516965 , 6M51-2005-BC , 6M51-2005-BD , 1689409 , 6M51-2005-BE
03.7760-2332.4	300267	FORD		FOCUS C-MAX (03-07)	2,0 i 16V		04.2004	03.2007	1323497 , 1344505 , 1481319 , 1516994 , 6M51-2005-DB , 3M51-2005-CB , 3M51-2005-CC , 1689822 , 6M51-2005-DC , 6M51-2005-DA
		FORD		FOCUS C-MAX (03-07)	2,0 TDCi		08.2003	03.2007	1323497 , 1344505 , 1481319 , 1516994 , 6M51-2005-DB , 3M51-2005-CB , 3M51-2005-CC , 1689822 , 6M51-2005-DC , 6M51-2005-DA
		FORD		FOCUS C-MAX (03-07)	1,6 TDCi		01.2005	03.2007	1323497 , 1344505 , 1481319 , 1516994 , 6M51-2005-DB , 3M51-2005-CB , 3M51-2005-CC , 1689822 , 6M51-2005-DC , 6M51-2005-DA
		FORD		FOCUS C-MAX (03-07)	1,8 i 16V		08.2003	03.2007	1323497 , 1344505 , 1481319 , 1516994 , 6M51-2005-DB , 3M51-2005-CB , 3M51-2005-CC , 1689822 , 6M51-2005-DC , 6M51-2005-DA



					OE numbers per ATE pn.		e.g. replaced pn. / miscellaneous
--	--	--	--	--	------------------------	--	-----------------------------------



BKV - Booster unit

03.7760-2332.4	300267	FORD		FOCUS C-MAX (03-07)	1,6 TDCi		08.2003	03.2007	1323497 , 1344505 , 1481319 , 1516994 , 6M51-2005-DB , 3M51-2005-CB , 3M51-2005-CC , 1689822 , 6M51-2005-DC , 6M51-2005-DA	
		FORD		FOCUS C-MAX (03-07)	1,6 i 16V		08.2003	03.2007	1323497 , 1344505 , 1481319 , 1516994 , 6M51-2005-DB , 3M51-2005-CB , 3M51-2005-CC , 1689822 , 6M51-2005-DC , 6M51-2005-DA	
		FORD		FOCUS C-MAX (03-07)	1,8 i 16V		04.2004	03.2007	1323497 , 1344505 , 1481319 , 1516994 , 6M51-2005-DB , 3M51-2005-CB , 3M51-2005-CC , 1689822 , 6M51-2005-DC , 6M51-2005-DA	
		FORD		FOCUS C-MAX (03-07)	1,8 TDCi		01.2005	03.2007	1323497 , 1344505 , 1481319 , 1516994 , 6M51-2005-DB , 3M51-2005-CB , 3M51-2005-CC , 1689822 , 6M51-2005-DC , 6M51-2005-DA	
		FORD		FOCUS C-MAX (03-07)	1,6 Ti VCT		08.2004	03.2007	1323497 , 1344505 , 1481319 , 1516994 , 6M51-2005-DB , 3M51-2005-CB , 3M51-2005-CC , 1689822 , 6M51-2005-DC , 6M51-2005-DA	



					OE numbers per ATE pn.	 e.g. replaced pn. / miscellaneous
--	--	--	--	--	-------------------------------	--



BKV - Booster unit

03.7760-2332.4	300267	FORD	FOCUS II (05-11)	1,8 TDCi		01.2005	02.2011	1323497 , 1344505 , 1481319 , 1516994 , 6M51-2005-DB , 3M51-2005-CB , 3M51-2005-CC , 1689822 , 6M51-2005-DC , 6M51-2005-DA	
		FORD	FOCUS II (05-11)	2,0 i 16V		10.2004	02.2011	1323497 , 1344505 , 1481319 , 1516994 , 6M51-2005-DB , 3M51-2005-CB , 3M51-2005-CC , 1689822 , 6M51-2005-DC , 6M51-2005-DA	
		FORD	FOCUS II (05-11)	2,0 TDCi		10.2004	02.2011	1323497 , 1344505 , 1481319 , 1516994 , 6M51-2005-DB , 3M51-2005-CB , 3M51-2005-CC , 1689822 , 6M51-2005-DC , 6M51-2005-DA	
		FORD	FOCUS II (05-11)			02.2008	02.2011	1323497 , 1344505 , 1481319 , 1516994 , 6M51-2005-DB , 3M51-2005-CB , 3M51-2005-CC , 1689822 , 6M51-2005-DC , 6M51-2005-DA	
		FORD	FOCUS II (05-11)	1,4 i 16V		10.2004	02.2011	1323497 , 1344505 , 1481319 , 1516994 , 6M51-2005-DB , 3M51-2005-CB , 3M51-2005-CC , 1689822 , 6M51-2005-DC , 6M51-2005-DA	



					OE numbers per ATE pn.		e.g. replaced pn. / miscellaneous
--	--	--	--	--	------------------------	--	-----------------------------------



BKV - Booster unit

03.7760-2332.4	300267	FORD		FOCUS II (05-11)	1,6 i 16V		10.2004	02.2011	1323497 , 1344505 , 1481319 , 1516994 , 6M51-2005-DB , 3M51-2005-CB , 3M51-2005-CC , 1689822 , 6M51-2005-DC , 6M51-2005-DA	
		FORD		FOCUS II (05-11)	1,6 TDCi		01.2005	02.2011	1323497 , 1344505 , 1481319 , 1516994 , 6M51-2005-DB , 3M51-2005-CB , 3M51-2005-CC , 1689822 , 6M51-2005-DC , 6M51-2005-DA	
		FORD		FOCUS II (05-11)			10.2004	02.2011	1323497 , 1344505 , 1481319 , 1516994 , 6M51-2005-DB , 3M51-2005-CB , 3M51-2005-CC , 1689822 , 6M51-2005-DC , 6M51-2005-DA	
		FORD		FOCUS II (05-11)	1,6 Ti VCT		10.2004	02.2011	1323497 , 1344505 , 1481319 , 1516994 , 6M51-2005-DB , 3M51-2005-CB , 3M51-2005-CC , 1689822 , 6M51-2005-DC , 6M51-2005-DA	
		FORD		FOCUS II (05-11)	1,8 i 16V		01.2006	02.2011	1323497 , 1344505 , 1481319 , 1516994 , 6M51-2005-DB , 3M51-2005-CB , 3M51-2005-CC , 1689822 , 6M51-2005-DC , 6M51-2005-DA	
03.7853-2702.4	300269	PEUGEOT		206 CC (00-07)	1,6 HDi 110		04.2005	01.2007	4535 T5	
		PEUGEOT		206 CC (00-07)	1,6 16V			01.2007	4535 T5	



					OE numbers per ATE pn.		e.g. replaced pn. / miscellaneous
--	--	--	--	--	------------------------	--	-----------------------------------



BKV - Booster unit

03.7853-2702.4	300269	PEUGEOT	206 Saloon (98-09)	1,4		02.2009	4535 T5	
		PEUGEOT	206 Saloon (98-09)	2,0 HDi		02.2009	4535 T5	
		PEUGEOT	206 Saloon (98-09)	1,6 16V		02.2009	4535 T5	
		PEUGEOT	206 Saloon (98-09)	1,6 HDi 110	05.2004	02.2009	4535 T5	
		PEUGEOT	206 SW (02-07)	1,4		05.2007	4535 T5	
		PEUGEOT	206 SW (02-07)	2,0 HDi		05.2007	4535 T5	
		PEUGEOT	206 SW (02-07)	1,6 HDi 110	05.2004	05.2007	4535 T5	
		PEUGEOT	206 SW (02-07)	1,6 16V		05.2007	4535 T5	
03.7853-3902.4	300270	RENAULT	TWINGO II (CN0_) (07-)	1,5 dCi	03.2007		77 01 209 641	
		RENAULT	TWINGO II (CN0_) (07-)	1,2 Turbo	03.2007		77 01 209 641	
		RENAULT	TWINGO II (CN0_) (07-)	1,2 TCe 100	02.2011		77 01 209 641	
		RENAULT	TWINGO II (CN0_) (07-)	1,2 16V	03.2007		77 01 209 641	
		RENAULT	TWINGO II (CN0_) (07-)	1,2	03.2007		77 01 209 641	
		RENAULT	TWINGO II (CN0_) (07-)	1,5 dCi 90	10.2010		77 01 209 641	
		RENAULT	TWINGO II (CN0_) (07-)	1,5 dCi 75	10.2010		77 01 209 641	
		RENAULT	TWINGO II (CN0_) (07-)	1,5 dCi	04.2008		77 01 209 641	
03.7853-4102.4	300271	RENAULT	LOGAN (LS_) (04-)	1,6	11.2009		60 01 551 395	
		RENAULT	LOGAN (LS_) (04-)	1,5 dCi	11.2009		60 01 551 395	



					OE numbers per ATE pn.		e.g. replaced pn. / miscellaneous
--	--	--	--	--	------------------------	--	-----------------------------------



BKV - Booster unit

03.7853-4102.4	300271	RENAULT	LOGAN (LS_) (04-)	1,4		11.2009		60 01 551 395	
		DACIA	LOGAN Express (FS_) (09-)	1,2 i 16V		06.2009		60 01 551 395	
		RENAULT	LOGAN Kombi (KS_) (04-)	1,6		11.2009		60 01 551 395	
		RENAULT	LOGAN Kombi (KS_) (04-)	1,5 dCi		11.2009		60 01 551 395	
		RENAULT	LOGAN Kombi (KS_) (04-)	1,4		11.2009		60 01 551 395	
		DACIA	LOGAN Limousine (LS_) (04-)	1,2 16V		02.2006		60 01 551 395	
		DACIA	LOGAN Limousine (LS_) (04-)	1,6 MPI 85		05.2010		60 01 551 395	
		DACIA	LOGAN Limousine (LS_) (04-)	1,5 dCi		05.2010		60 01 551 395	
		DACIA	LOGAN Limousine (LS_) (04-)	1,6 Bifuel		05.2010		60 01 551 395	
		DACIA	SANDERO (08-)	1,5 dCi		11.2008		60 01 551 395	
		DACIA	SANDERO (08-)	1,2 16V		11.2008		60 01 551 395	
		DACIA	SANDERO (08-)	1,2 16V Bifuel		11.2008		60 01 551 395	
		DACIA	SANDERO (08-)	1,4		06.2008		60 01 551 395	
		DACIA	SANDERO (08-)	1,4 MPI LPG		01.2009		60 01 551 395	
		DACIA	SANDERO (08-)	1,5 dCi		05.2010		60 01 551 395	
		DACIA	SANDERO (08-)	1,6 MPI 85		05.2010		60 01 551 395	
		DACIA	SANDERO (08-)	1,6		06.2008		60 01 551 395	
		RENAULT	SANDERO (BS0_) (09-)			11.2010		60 01 551 395	



					OE numbers per ATE pn.		e.g. replaced pn. / miscellaneous
--	--	--	--	--	------------------------	--	-----------------------------------



BKV - Booster unit

03.7853-4102.4	300271	RENAULT	SANDERO (BS0_) (09-)	1,4		02.2009		60 01 551 395	
		RENAULT	SANDERO (BS0_) (09-)	1,6		02.2009		60 01 551 395	
		RENAULT	SANDERO (BS0_) (09-)			05.2009		60 01 551 395	
03.7858-0732.4	300272	SAAB	9-5 II (10-12)	2,0 TiD		03.2010	06.2012	13286439 , 55 44 020	
		SAAB	9-5 II (10-12)	2,8 T V6 XWD		03.2010	06.2012	13286439 , 55 44 020	
		SAAB	9-5 II (10-12)	2,0 TTiD		03.2010	06.2012	13286439 , 55 44 020	
		SAAB	9-5 II (10-12)	2,0 T XWD		03.2010	06.2012	13286439 , 55 44 020	
		SAAB	9-5 II (10-12)	2,0 T BioPower XWD		03.2010	06.2012	13286439 , 55 44 020	
		SAAB	9-5 II (10-12)	2,0 T BioPower		03.2010	06.2012	13286439 , 55 44 020	
		SAAB	9-5 II (10-12)	2,0 T		03.2010	06.2012	13286439 , 55 44 020	
		SAAB	9-5 II (10-12)	1,6 T		03.2010	06.2012	13286439 , 55 44 020	
		SAAB	9-5 II (10-12)	2,0 TTiD XWD		03.2010	06.2012	13286439 , 55 44 020	
		OPEL	ASTRA J / GTC / Vauxhall Astra MK VI (09-)	2,0 CDTI ECOTEC		12.2009		13286439 , 55 44 020	
		OPEL	ASTRA J / GTC / Vauxhall Astra MK VI (09-)	1,8		10.2011		13286439 , 55 44 020	
		OPEL	ASTRA J / GTC / Vauxhall Astra MK VI (09-)	1,4 LPG Turbo ecoFlex		01.2012		13286439 , 55 44 020	
		OPEL	ASTRA J / GTC / Vauxhall Astra MK VI (09-)	1,3 CDTI ECOTEC		12.2009		13286439 , 55 44 020	
		OPEL	ASTRA J / GTC / Vauxhall Astra MK VI (09-)	1,4 Turbo ECOTEC		12.2009		13286439 , 55 44 020	
		OPEL	ASTRA J / GTC / Vauxhall Astra MK VI (09-)			11.2010		13286439 , 55 44 020	



					OE numbers per ATE pn.		e.g. replaced pn. / miscellaneous
--	--	--	--	--	------------------------	--	-----------------------------------



BKV - Booster unit

03.7858-0732.4	300272	OPEL	ASTRA J / GTC / Vauxhall Astra MK VI (09-)	1,4 ecoFlex	12.2009	13286439 , 55 44 020
		OPEL	ASTRA J / GTC / Vauxhall Astra MK VI (09-)	1,7 CDTi ECOTEC	12.2009	13286439 , 55 44 020
		OPEL	ASTRA J / GTC / Vauxhall Astra MK VI (09-)	1,6 Turbo ECOTEC	12.2009	13286439 , 55 44 020
		OPEL	ASTRA J Sports Tourer/Vau.Astra Sports Tourer (10	1,7 CDTi ECOTEC	11.2010	13286439 , 55 44 020
		OPEL	ASTRA J Sports Tourer/Vau.Astra Sports Tourer (10	2,0 CDTi ECOTEC	11.2010	13286439 , 55 44 020
		OPEL	ASTRA J Sports Tourer/Vau.Astra Sports Tourer (10	1,6 Turbo ECOTEC	11.2010	13286439 , 55 44 020
		OPEL	ASTRA J Sports Tourer/Vau.Astra Sports Tourer (10	1,6 ECOTEC	11.2010	13286439 , 55 44 020
		OPEL	ASTRA J Sports Tourer/Vau.Astra Sports Tourer (10	1,4 Turbo ECOTEC	11.2010	13286439 , 55 44 020
		OPEL	ASTRA J Sports Tourer/Vau.Astra Sports Tourer (10	1,4 LPG Turbo ecoFlex	01.2012	13286439 , 55 44 020
		OPEL	ASTRA J Sports Tourer/Vau.Astra Sports Tourer (10	1,4 ecoFlex	11.2010	13286439 , 55 44 020
		OPEL	ASTRA J Sports Tourer/Vau.Astra Sports Tourer (10	1,3 CDTi ECOTEC	11.2010	13286439 , 55 44 020
		CHEVROLET	CRUZE (09-)	2,0 CDI	05.2009	13286439 , 55 44 020
		CHEVROLET	CRUZE (09-)	1,8 i 16V LPG	06.2011	13286439 , 55 44 020
		CHEVROLET	CRUZE (09-)	1,8 i 16V	05.2009	13286439 , 55 44 020
		CHEVROLET	CRUZE (09-)	1,7 D	01.2012	13286439 , 55 44 020
		CHEVROLET	CRUZE (09-)	1,6 i 16V	05.2009	13286439 , 55 44 020
		CHEVROLET	CRUZE (09-)	2,0 CDI	08.2010	13286439 , 55 44 020
		OPEL	INSIGNIA / Vauxhall Insignia (08-)	1,8	07.2008	13286439 , 55 44 020



					OE numbers per ATE pn.		e.g. replaced pn. / miscellaneous
--	--	--	--	--	------------------------	--	-----------------------------------



BKV - Booster unit

03.7858-0732.4	300272	OPEL	INSIGNIA / Vauxhall Insignia (08-)	2,0 Turbo 4x4	07.2008	13286439 , 55 44 020
		OPEL	INSIGNIA / Vauxhall Insignia (08-)		09.2011	13286439 , 55 44 020
		OPEL	INSIGNIA / Vauxhall Insignia (08-)	2,0 Turbo	07.2008	13286439 , 55 44 020
		OPEL	INSIGNIA / Vauxhall Insignia (08-)		06.2011	13286439 , 55 44 020
		OPEL	INSIGNIA / Vauxhall Insignia (08-)	2,0 CDTI 4x4	06.2010	13286439 , 55 44 020
		OPEL	INSIGNIA / Vauxhall Insignia (08-)	2,0 CDTI	07.2008	13286439 , 55 44 020
		OPEL	INSIGNIA / Vauxhall Insignia (08-)	2,0 BiTurbo CDTI	07.2008	13286439 , 55 44 020
		OPEL	INSIGNIA / Vauxhall Insignia (08-)	1,6 Turbo	10.2008	13286439 , 55 44 020
		OPEL	INSIGNIA / Vauxhall Insignia (08-)	1,6	07.2008	13286439 , 55 44 020
		OPEL	INSIGNIA / Vauxhall Insignia (08-)	1,4 Turbo LPG ecoFLEX	07.2012	13286439 , 55 44 020
		OPEL	INSIGNIA / Vauxhall Insignia (08-)	1,4 Turbo ecoFLEX	06.2011	13286439 , 55 44 020
		OPEL	INSIGNIA / Vauxhall Insignia (08-)	2,0 BiTurbo CDTI 4x4	07.2008	13286439 , 55 44 020
		OPEL	INSIGNIA Sports Tourer / Vauxh. Insignia SportsTo	2,0 Turbo	07.2008	13286439 , 55 44 020
		OPEL	INSIGNIA Sports Tourer / Vauxh. Insignia SportsTo	1,4 Turbo ecoFlex	06.2011	13286439 , 55 44 020
		OPEL	INSIGNIA Sports Tourer / Vauxh. Insignia SportsTo	1,6	07.2008	13286439 , 55 44 020
		OPEL	INSIGNIA Sports Tourer / Vauxh. Insignia SportsTo	1,6 Turbo	10.2008	13286439 , 55 44 020
		OPEL	INSIGNIA Sports Tourer / Vauxh. Insignia SportsTo	1,8	07.2008	13286439 , 55 44 020
		OPEL	INSIGNIA Sports Tourer / Vauxh. Insignia SportsTo	2,0 BiTurbo CDTI	07.2008	13286439 , 55 44 020



					OE numbers per ATE pn.		e.g. replaced pn. / miscellaneous
--	--	--	--	--	------------------------	--	-----------------------------------



BKV - Booster unit

03.7858-0732.4	300272	OPEL	INSIGNIA Sports Tourer / Vauxh. Insignia SportsTo	2,0 BiTurbo CDTI 4x4	07.2008	13286439 , 55 44 020
		OPEL	INSIGNIA Sports Tourer / Vauxh. Insignia SportsTo	2,0 CDTI	07.2008	13286439 , 55 44 020
		OPEL	INSIGNIA Sports Tourer / Vauxh. Insignia SportsTo	2,0 CDTI 4x4	06.2010	13286439 , 55 44 020
		OPEL	INSIGNIA Sports Tourer / Vauxh. Insignia SportsTo	2,0 Turbo	06.2011	13286439 , 55 44 020
		OPEL	INSIGNIA Sports Tourer / Vauxh. Insignia SportsTo	1,4 Turbo LPG ecoFLEX	07.2012	13286439 , 55 44 020
		OPEL	INSIGNIA Sports Tourer / Vauxh. Insignia SportsTo	2,0 Turbo 4x4	07.2008	13286439 , 55 44 020
		OPEL	INSIGNIA Sports Tourer / Vauxh. Insignia SportsTo		09.2011	13286439 , 55 44 020
		CHEVROLET	MALIBU (V300) (12-)	2,4 16V	01.2012	13286439 , 55 44 020
		CHEVROLET	MALIBU (V300) (12-)	2,0 VDCi	04.2012	13286439 , 55 44 020
		CHEVROLET	ORLANDO (11-)	1,8	02.2011	13286439 , 55 44 020
		CHEVROLET	ORLANDO (11-)	2,0 D	02.2011	13286439 , 55 44 020
		OPEL	ZAFIRA III Tourer / Vauxhall Zafira III Tourer (11-)	1,4 T	11.2011	13286439 , 55 44 020
		OPEL	ZAFIRA III Tourer / Vauxhall Zafira III Tourer (11-)	1,6 T CNG	11.2011	13286439 , 55 44 020
		OPEL	ZAFIRA III Tourer / Vauxhall Zafira III Tourer (11-)	1,7 CDTi	11.2011	13286439 , 55 44 020
		OPEL	ZAFIRA III Tourer / Vauxhall Zafira III Tourer (11-)	1,8	11.2011	13286439 , 55 44 020
		OPEL	ZAFIRA III Tourer / Vauxhall Zafira III Tourer (11-)	2,0 CDTi	11.2011	13286439 , 55 44 020
		OPEL	ZAFIRA III Tourer / Vauxhall Zafira III Tourer (11-)	1,4 T LPG	11.2011	13286439 , 55 44 020
		OPEL	ZAFIRA III Tourer / Vauxhall Zafira III Tourer (11-)	1,6 T	11.2011	13286439 , 55 44 020



					OE numbers per ATE pn.		e.g. replaced pn. / miscellaneous
--	--	--	--	--	------------------------	--	-----------------------------------



BKV - Booster unit

03.7858-4832.4	300274	VOLVO	S80 II (06-)	2,5 T FlexFuel	04.2008	31257702 , 30769207 , 31274080 , 31274698
		VOLVO	S80 II (06-)	2,5 T AWD	10.2006	31257702 , 30769207 , 31274080 , 31274698
		VOLVO	S80 II (06-)	2,5 T	03.2006	31257702 , 30769207 , 31274080 , 31274698
		VOLVO	S80 II (06-)	2,4 D5 AWD	01.2010	31257702 , 30769207 , 31274080 , 31274698
		VOLVO	S80 II (06-)	3,0 T6 AWD	01.2007	31257702 , 30769207 , 31274080 , 31274698
		VOLVO	S80 II (06-)	2,4 D5	11.2008	31257702 , 30769207 , 31274080 , 31274698
		VOLVO	S80 II (06-)	2,0 TDi	02.2008	31257702 , 30769207 , 31274080 , 31274698
		VOLVO	S80 II (06-)	2,4 D5	03.2006	31257702 , 30769207 , 31274080 , 31274698
		VOLVO	S80 II (06-)	2,4 D5 AWD	01.2007	31257702 , 30769207 , 31274080 , 31274698
		VOLVO	S80 II (06-)	3,2	03.2006	31257702 , 30769207 , 31274080 , 31274698
		VOLVO	S80 II (06-)	3,2 AWD	01.2007	31257702 , 30769207 , 31274080 , 31274698
		VOLVO	S80 II (06-)	T5	10.2010	31257702 , 30769207 , 31274080 , 31274698



					OE numbers per ATE pn.		e.g. replaced pn. / miscellaneous
--	--	--	--	--	------------------------	--	-----------------------------------



BKV - Booster unit

03.7858-4832.4	300274	VOLVO	S80 II (06-)	2,0 D	09.2007	31257702 , 30769207 , 31274080 , 31274698
		VOLVO	S80 II (06-)	2	09.2007	31257702 , 30769207 , 31274080 , 31274698
		VOLVO	S80 II (06-)	2,0 T	01.2010	31257702 , 30769207 , 31274080 , 31274698
		VOLVO	S80 II (06-)	2,0 FlexiFuel	09.2007	31257702 , 30769207 , 31274080 , 31274698
		VOLVO	S80 II (06-)	2,4 D	04.2009	31257702 , 30769207 , 31274080 , 31274698
		VOLVO	S80 II (06-)		03.2006	31257702 , 30769207 , 31274080 , 31274698
		VOLVO	V70 III (07-)	2,0 FlexiFuel	09.2007	31257702 , 30769207 , 31274080 , 31274698
		VOLVO	V70 III (07-)	1,6 DRIVE	01.2010	31257702 , 30769207 , 31274080 , 31274698
		VOLVO	V70 III (07-)	2,0 D	10.2007	31257702 , 30769207 , 31274080 , 31274698
		VOLVO	V70 III (07-)	2,0 T	01.2010	31257702 , 30769207 , 31274080 , 31274698
		VOLVO	V70 III (07-)	T5	01.2010	31257702 , 30769207 , 31274080 , 31274698
		VOLVO	V70 III (07-)	2	10.2007	31257702 , 30769207 , 31274080 , 31274698



					OE numbers per ATE pn.		e.g. replaced pn. / miscellaneous
--	--	--	--	--	-------------------------------	--	--



BKV - Booster unit

03.7858-5032.4	300275	VOLVO		S80 II (06-)	1,6 D DRiVe		01.2010	31257700 , 30769208 , 31274697 , 31274079	
		VOLVO		S80 II (06-)	2,4 D5		06.2011	31257700 , 30769208 , 31274697 , 31274079	
		VOLVO		S80 II (06-)	2,4 D5 AWD		06.2011	31257700 , 30769208 , 31274697 , 31274079	
		VOLVO		S80 II (06-)	2,5 T		01.2010	31257700 , 30769208 , 31274697 , 31274079	
		VOLVO		S80 II (06-)	T4		10.2010	31257700 , 30769208 , 31274697 , 31274079	
		VOLVO		S80 II (06-)	2,5 T FlexiFuel		01.2010	31257700 , 30769208 , 31274697 , 31274079	
		VOLVO		S80 II (06-)	D3		01.2010	31257700 , 30769208 , 31274697 , 31274079	
		VOLVO		S80 II (06-)	T4F		05.2011	31257700 , 30769208 , 31274697 , 31274079	
		VOLVO		S80 II (06-)	T5		10.2010	31257700 , 30769208 , 31274697 , 31274079	
		VOLVO		S80 II (06-)	T6 AWD		10.2010	31257700 , 30769208 , 31274697 , 31274079	
		VOLVO		V70 III (07-)	2,4 D		08.2007	31257700 , 30769208 , 31274697 , 31274079	
		VOLVO		V70 III (07-)	3,0 T6 AWD		08.2007	31257700 , 30769208 , 31274697 , 31274079	



					OE numbers per ATE pn.		e.g. replaced pn. / miscellaneous
--	--	--	--	--	------------------------	--	-----------------------------------



BKV - Booster unit

03.7858-5032.4	300275	VOLVO	V70 III (07-)	3,2	08.2007	31257700 , 30769208 , 31274697 , 31274079
		VOLVO	V70 III (07-)	3,2 AWD	08.2007	31257700 , 30769208 , 31274697 , 31274079
		VOLVO	V70 III (07-)	2,4 D5	06.2011	31257700 , 30769208 , 31274697 , 31274079
		VOLVO	V70 III (07-)	2,5 T	08.2007	31257700 , 30769208 , 31274697 , 31274079
		VOLVO	V70 III (07-)	2,4 D5	08.2007	31257700 , 30769208 , 31274697 , 31274079
		VOLVO	V70 III (07-)	2,5 T FlexiFuel	10.2009	31257700 , 30769208 , 31274697 , 31274079
		VOLVO	V70 III (07-)		04.2008	31257700 , 30769208 , 31274697 , 31274079
		VOLVO	V70 III (07-)	3,0 T6 AWD	04.2011	31257700 , 30769208 , 31274697 , 31274079
		VOLVO	V70 III (07-)	2,4 D	10.2009	31257700 , 30769208 , 31274697 , 31274079
		VOLVO	V70 III (07-)	T4	10.2010	31257700 , 30769208 , 31274697 , 31274079
		VOLVO	V70 III (07-)	2,0 D3	03.2010	31257700 , 30769208 , 31274697 , 31274079
		VOLVO	V70 III (07-)	1,6 T4F	01.2011	31257700 , 30769208 , 31274697 , 31274079



					OE numbers per ATE pn.	 e.g. replaced pn. / miscellaneous
--	--	--	--	--	-------------------------------	--



BKV - Booster unit

03.7858-5032.4	300275	VOLVO		V70 III (07-)	2,4 D5		12.2009		31257700 , 30769208 , 31274697 , 31274079	
		VOLVO		V70 III (07-)	2,4 D5 AWD		06.2011		31257700 , 30769208 , 31274697 , 31274079	
		VOLVO		V70 III (07-)			10.2007		31257700 , 30769208 , 31274697 , 31274079	
		VOLVO		V70 III (07-)			12.2009		31257700 , 30769208 , 31274697 , 31274079	
		VOLVO		V70 III (07-)	2,5 T		10.2009		31257700 , 30769208 , 31274697 , 31274079	
		VOLVO		XC70 II CROSS COUNTRY (07-)	3,0 T6 AWD		01.2010		31257700 , 30769208 , 31274697 , 31274079	
		VOLVO		XC70 II CROSS COUNTRY (07-)	3,2 AWD		08.2007		31257700 , 30769208 , 31274697 , 31274079	
		VOLVO		XC70 II CROSS COUNTRY (07-)	3,0 T6 AWD		01.2008		31257700 , 30769208 , 31274697 , 31274079	
		VOLVO		XC70 II CROSS COUNTRY (07-)	2,4 D5 AWD		12.2009		31257700 , 30769208 , 31274697 , 31274079	
		VOLVO		XC70 II CROSS COUNTRY (07-)			08.2007		31257700 , 30769208 , 31274697 , 31274079	
		VOLVO		XC70 II CROSS COUNTRY (07-)	2,0 D3 AWD		08.2011		31257700 , 30769208 , 31274697 , 31274079	
		VOLVO		XC70 II CROSS COUNTRY (07-)	2,4 D		01.2010		31257700 , 30769208 , 31274697 , 31274079	



					OE numbers per ATE pn.		e.g. replaced pn. / miscellaneous
--	--	--	--	--	------------------------	--	-----------------------------------



BKV - Booster unit

03.7858-5032.4	300275	VOLVO		XC70 II CROSS COUNTRY (07-)	2,4 D AWD		08.2007		31257700 , 30769208 , 31274697 , 31274079	
		VOLVO		XC70 II CROSS COUNTRY (07-)	2,0 D3		08.2011		31257700 , 30769208 , 31274697 , 31274079	
		VOLVO		XC70 II CROSS COUNTRY (07-)	3,2		08.2007		31257700 , 30769208 , 31274697 , 31274079	
		VOLVO		XC70 II CROSS COUNTRY (07-)	2,4 D5 AWD		06.2011		31257700 , 30769208 , 31274697 , 31274079	
03.7858-7602.4	300277	NISSAN		PATHFINDER (R51M) (05-)	2,5 dCi		10.2006		47210-3X10A , 47210-3X026	
		NISSAN		PATHFINDER (R51M) (05-)	2,5 dCi 4WD		10.2006		47210-3X10A , 47210-3X026	
		NISSAN		PATHFINDER (R51M) (05-)	4		10.2006		47210-3X10A , 47210-3X026	
		NISSAN		PATHFINDER (R51M) (05-)	4,0 4WD		10.2006		47210-3X10A , 47210-3X026	
03.7860-3902.4	300278	VOLKSWAGEN		GOLF Plus (05-)	1,4 16V		11.2010		1K1 614 106 K	
		VOLKSWAGEN		GOLF Plus (05-)	2,0 TDI		11.2010		1K1 614 106 K	
		VOLKSWAGEN		GOLF Plus (05-)	1,9 TDI		11.2010		1K1 614 106 K	
		VOLKSWAGEN		GOLF Plus (05-)	1,6 TDI		11.2010		1K1 614 106 K	
		VOLKSWAGEN		GOLF Plus (05-)	1,6 FSI		11.2010		1K1 614 106 K	
		VOLKSWAGEN		GOLF Plus (05-)	1,6 BiFuel		11.2010		1K1 614 106 K	
		VOLKSWAGEN		GOLF Plus (05-)	1,6		11.2010		1K1 614 106 K	
		VOLKSWAGEN		GOLF Plus (05-)	1,2 TSI		11.2010		1K1 614 106 K	



					OE numbers per ATE pn.		e.g. replaced pn. / miscellaneous
--	--	--	--	--	------------------------	--	-----------------------------------



BKV - Booster unit

03.7860-3902.4	300278	VOLKSWAGEN	GOLF Plus (05-)	1,4 FSI		11.2010	1K1 614 106 K
		VOLKSWAGEN	GOLF Plus (05-)	2,0 FSI		11.2010	1K1 614 106 K
		VOLKSWAGEN	GOLF Plus (05-)	1,4 TSI		11.2010	1K1 614 106 K
		VOLKSWAGEN	GOLF VI (08-)	2,0 TDI 4motion		11.2010	1K1 614 106 K
		VOLKSWAGEN	GOLF VI (08-)	1,4 TSI		11.2010	1K1 614 106 K
		VOLKSWAGEN	GOLF VI (08-)	1,6		11.2010	1K1 614 106 K
		VOLKSWAGEN	GOLF VI (08-)	1,6 Bi-Fuel		11.2010	1K1 614 106 K
		VOLKSWAGEN	GOLF VI (08-)	1,6 TDI		11.2010	1K1 614 106 K
		VOLKSWAGEN	GOLF VI (08-)	1,8 TSI		11.2010	1K1 614 106 K
		VOLKSWAGEN	GOLF VI (08-)	2		11.2010	1K1 614 106 K
		VOLKSWAGEN	GOLF VI (08-)	1,4		11.2010	1K1 614 106 K
		VOLKSWAGEN	GOLF VI (08-)	2,0 TDI		11.2010	1K1 614 106 K
		VOLKSWAGEN	GOLF VI (08-)	2,5 FSI		11.2010	1K1 614 106 K
		VOLKSWAGEN	GOLF VI (08-)	1,2 TSI		11.2010	1K1 614 106 K
		VOLKSWAGEN	GOLF VI (08-)	2,0 R 4motion		11.2010	1K1 614 106 K
		VOLKSWAGEN	SCIROCCO (08-)	2,0 TDI	10.2008		1K1 614 106 K
		VOLKSWAGEN	SCIROCCO (08-)	1,4 TSI	08.2008		1K1 614 106 K
		VOLKSWAGEN	SCIROCCO (08-)		09.2008		1K1 614 106 K



					OE numbers per ATE pn.		e.g. replaced pn. / miscellaneous
--	--	--	--	--	------------------------	--	-----------------------------------



BKV - Booster unit

03.7860-3902.4	300278	VOLKSWAGEN	SCIROCCO (08-)	2,0 R	11.2009	1K1 614 106 K
		VOLKSWAGEN	SCIROCCO (08-)	2,0 TDI	05.2009	1K1 614 106 K
		VOLKSWAGEN	SCIROCCO (08-)	2,0 TSI	08.2008	1K1 614 106 K
03.7870-1002.4	300282	CITROEN	C4 I Grand Picasso (06-)	2,0 i 16V	10.2006	4535 W7
		CITROEN	C4 I Grand Picasso (06-)	1,8 i 16V	10.2006	4535 W7
		CITROEN	C4 I Picasso (07-)		02.2007	4535 W7
		CITROEN	C4 I Picasso (07-)	2,0 i 16V	02.2007	4535 W7
03.7873-3702.4	300283	VOLKSWAGEN	TOURAN (03-)	1,4 TSI EcoFuel	05.2009	1T1 614 106 C , 1T1 614 106 A
		VOLKSWAGEN	TOURAN (03-)	1,6 TDI	05.2010	1T1 614 106 C , 1T1 614 106 A
		VOLKSWAGEN	TOURAN (03-)	1,4 TSI	09.2006	1T1 614 106 C , 1T1 614 106 A
		VOLKSWAGEN	TOURAN (03-)	1,6	07.2003	1T1 614 106 C , 1T1 614 106 A
		VOLKSWAGEN	TOURAN (03-)	1,4 TSI	11.2006	1T1 614 106 C , 1T1 614 106 A
		VOLKSWAGEN	TOURAN (03-)	1,6 FSI	02.2003	1T1 614 106 C , 1T1 614 106 A
03.7873-4502.4	300284	SEAT	ALHAMBRA II (10-)	1,4 TSI	09.2010	3C1 614 106 R
		SEAT	ALHAMBRA II (10-)	2,0 TDI	04.2011	3C1 614 106 R
		SEAT	ALHAMBRA II (10-)	2,0 TSI	09.2010	3C1 614 106 R



					OE numbers per ATE pn.		e.g. replaced pn. / miscellaneous
--	--	--	--	--	------------------------	--	-----------------------------------



BKV - Booster unit

03.7873-4502.4	300284	SEAT	ALHAMBRA II (10-)	2,0 TDI	09.2010	3C1 614 106 R
		SEAT	ALHAMBRA II (10-)	2,0 TDI 4motion	04.2011	3C1 614 106 R
		VOLKSWAGEN	CC COUPE (11-)	1,8 TSI	11.2011	3C1 614 106 R
		VOLKSWAGEN	CC COUPE (11-)	3,6 V6 4motion	11.2011	3C1 614 106 R
		VOLKSWAGEN	CC COUPE (11-)	2,0 TSI	11.2011	3C1 614 106 R
		VOLKSWAGEN	CC COUPE (11-)	2,0 Blue TDI	11.2011	3C1 614 106 R
		VOLKSWAGEN	CC COUPE (11-)	2,0 TDI	11.2011	3C1 614 106 R
		VOLKSWAGEN	PASSAT / PASSAT VARIANT (10-)	1,4 TSI	08.2010	3C1 614 106 R
		VOLKSWAGEN	PASSAT / PASSAT VARIANT (10-)	3,6 FSI 4motion	01.2011	3C1 614 106 R
		VOLKSWAGEN	PASSAT / PASSAT VARIANT (10-)	2,0 TSI 4motion	01.2012	3C1 614 106 R
		VOLKSWAGEN	PASSAT / PASSAT VARIANT (10-)	2,0 TSI	11.2010	3C1 614 106 R
		VOLKSWAGEN	PASSAT / PASSAT VARIANT (10-)	2,0 TDI 4motion	08.2010	3C1 614 106 R
		VOLKSWAGEN	PASSAT / PASSAT VARIANT (10-)	2,0 TDI	08.2010	3C1 614 106 R
		VOLKSWAGEN	PASSAT / PASSAT VARIANT (10-)	1,6 TDI	08.2010	3C1 614 106 R
		VOLKSWAGEN	PASSAT / PASSAT VARIANT (10-)	1,8 TSI	08.2010	3C1 614 106 R
		VOLKSWAGEN	PASSAT ALLTRACK (12-)	3,6 V6 4motion	06.2012	3C1 614 106 R
		VOLKSWAGEN	PASSAT ALLTRACK (12-)	2,0 TSI 4motion	06.2012	3C1 614 106 R
		VOLKSWAGEN	PASSAT ALLTRACK (12-)	2,0 TDI 4motion	06.2012	3C1 614 106 R



					OE numbers per ATE pn.		e.g. replaced pn. / miscellaneous
--	--	--	--	--	------------------------	--	-----------------------------------



BKV - Booster unit

03.7873-4502.4	300284	VOLKSWAGEN	PASSAT ALLTRACK (12-)	2,0 TDI		06.2012		3C1 614 106 R	
		VOLKSWAGEN	PASSAT ALLTRACK (12-)	1,8 TSI		06.2012		3C1 614 106 R	
		VOLKSWAGEN	PASSAT CC (08-11)	2,0 TDI 4motion		11.2010	09.2011	3C1 614 106 R	
		VOLKSWAGEN	PASSAT CC (08-11)	1,8 TSI		11.2010	09.2011	3C1 614 106 R	
		VOLKSWAGEN	PASSAT CC (08-11)	1,4 TSI MultiFuel		01.2011	09.2011	3C1 614 106 R	
		VOLKSWAGEN	PASSAT CC (08-11)	3,6 V6 4motion		11.2010	09.2011	3C1 614 106 R	
		VOLKSWAGEN	PASSAT CC (08-11)	2,0 TDI		11.2010	09.2011	3C1 614 106 R	
		VOLKSWAGEN	PASSAT CC (08-11)	2,0 TSI		11.2010	09.2011	3C1 614 106 R	
		AUDI	Q3 (11-)	2,0 TDI quattro		01.2012		3C1 614 106 R	
		AUDI	Q3 (11-)			06.2011		3C1 614 106 R	
		AUDI	Q3 (11-)	2,0 TFSI quattro		06.2011		3C1 614 106 R	
		AUDI	Q3 (11-)	2,0 TDI		06.2011		3C1 614 106 R	
		VOLKSWAGEN	SHARAN II (10-)	2,0 TDI 4motion		05.2011		3C1 614 106 R	
		VOLKSWAGEN	SHARAN II (10-)	2,0 TDI		07.2010		3C1 614 106 R	
		VOLKSWAGEN	SHARAN II (10-)	2,0 TSI		10.2010		3C1 614 106 R	
		VOLKSWAGEN	SHARAN II (10-)	1,4 TSI		07.2010		3C1 614 106 R	
		VOLKSWAGEN	TIGUAN (07-)			08.2010		3C1 614 106 R	
		VOLKSWAGEN	TIGUAN (07-)	1,4 TSI 4motion		09.2007		3C1 614 106 R	



					OE numbers per ATE pn.		e.g. replaced pn. / miscellaneous
--	--	--	--	--	------------------------	--	-----------------------------------



BKV - Booster unit

03.7873-4502.4	300284	VOLKSWAGEN	TIGUAN (07-)	1,4 TSI		11.2007		3C1 614 106 R	
		VOLKSWAGEN	TIGUAN (07-)	2,0 TDI		03.2008		3C1 614 106 R	
		VOLKSWAGEN	TIGUAN (07-)			04.2010		3C1 614 106 R	
		VOLKSWAGEN	TIGUAN (07-)	2,0 TDI 4motion		11.2007		3C1 614 106 R	
		VOLKSWAGEN	TIGUAN (07-)	2,0 TFSI 4motion		02.2008		3C1 614 106 R	
		VOLKSWAGEN	TIGUAN (07-)	2,0 TSI 4motion		11.2007		3C1 614 106 R	
		VOLKSWAGEN	TIGUAN (07-)	2,0 TDI 4motion		01.2008		3C1 614 106 R	



BSH - Brake hose rear

24.5164-0315.3	331209	FORD	MONDEO I (93-96)	1,8 TD Kombi		01.1993	09.1996	93BB-2282-DD , 6922621	83.6230-0316.3
		FORD	MONDEO I (93-96)	1,8 i 16V Kombi		01.1993	09.1996	93BB-2282-DD , 6922621	83.6230-0316.3
		FORD	MONDEO I (93-96)	2,5 i 24V Kombi		08.1994	09.1996	93BB-2282-DD , 6922621	83.6230-0316.3
		FORD	MONDEO I (93-96)	2,0 i 16V Kombi		01.1993	09.1996	93BB-2282-DD , 6922621	83.6230-0316.3
		FORD	MONDEO I (93-96)	1,6 i 16V Kombi		01.1993	09.1996	93BB-2282-DD , 6922621	83.6230-0316.3
		FORD	MONDEO II (96-00)	1,8 i 16V Kombi		10.1996	04.1997	93BB-2282-DD , 6922621	83.6230-0316.3
		FORD	MONDEO II (96-00)	2,5 i 24V Kombi		10.1996	04.1997	93BB-2282-DD , 6922621	83.6230-0316.3
		FORD	MONDEO II (96-00)	1,8 TD Kombi		10.1996	04.1997	93BB-2282-DD , 6922621	83.6230-0316.3



					OE numbers per ATE pn.		e.g. replaced pn. / miscellaneous
--	--	--	--	--	------------------------	--	-----------------------------------



BSH - Brake hose rear

24.5164-0315.3	331209	FORD	MONDEO II (96-00)	1,6 i 16V Kombi		10.1996	04.1997	93BB-2282-DD , 6922621	83.6230-0316.3
		FORD	MONDEO II (96-00)	2,0 i 16V Kombi		10.1996	04.1997	93BB-2282-DD , 6922621	83.6230-0316.3
24.5105-0139.3	331216	Classic PKW	FIAT 124 (66-74)	alle Typen		01.1966	08.1974	4108899 , 4234923	
		Classic PKW	FIAT 125 (66-74)	1,6		07.1967	03.1974	4108899 , 4234923	
		Classic PKW	FIAT 125 (66-74)	1,6 Special		05.1969	10.1973	4108899 , 4234923	
		Classic PKW	FIAT 131 (74-84)	alle Typen		06.1974	02.1981	4108899 , 4234923	
		Classic PKW	FIAT 132 (72-81)			05.1977	05.1981	4108899 , 4234923	
24.5124-0252.3	331218	FORD	TRANSIT (06-)	2,4 TDCi RWD		05.2006		1371521 , 1438806 , 6C11-2282-EA , 6C11-2282-EB	
		FORD	TRANSIT (06-)	3,2 TDCi RWD		09.2007		1371521 , 1438806 , 6C11-2282-EA , 6C11-2282-EB	
		FORD	TRANSIT (06-)	2,4 TDCi 4x4		05.2006		1371521 , 1438806 , 6C11-2282-EA , 6C11-2282-EB	
		FORD	TRANSIT (06-)	2,3 16V RWD		05.2006		1371521 , 1438806 , 6C11-2282-EA , 6C11-2282-EB	
		FORD	TRANSIT (06-)	2,2 TDCi RWD		10.2011		1371521 , 1438806 , 6C11-2282-EA , 6C11-2282-EB	
		FORD	TRANSIT (06-)	2,2 TDCi 4x4		10.2011		1371521 , 1438806 , 6C11-2282-EA , 6C11-2282-EB	
		FORD	TRANSIT (06-)	2,2 TDCi FWD		05.2006		1371521 , 1438806 , 6C11-2282-EA , 6C11-2282-EB	
24.5292-0240.3	331225	NISSAN	QASHQAI / QASHQAI +2 (J10,JJ10) (07-)	1,6 dCi Allrad	RL	10.2011		46210-JD620	



					OE numbers per ATE pn.	 e.g. replaced pn. / miscellaneous
--	--	--	--	--	-------------------------------	--



BSH - Brake hose rear

24.5292-0240.3	331225	NISSAN	QASHQAI / QASHQAI +2 (J10, JJ10) (07-)	1,5 dCi	RL	02.2007		46210-JD620	
		NISSAN	QASHQAI / QASHQAI +2 (J10, JJ10) (07-)		RL	07.2008		46210-JD620	
		NISSAN	QASHQAI / QASHQAI +2 (J10, JJ10) (07-)	1,6 dCi	RL	10.2011		46210-JD620	
		NISSAN	QASHQAI / QASHQAI +2 (J10, JJ10) (07-)	1,6 i 16V	RL	02.2007		46210-JD620	
		NISSAN	QASHQAI / QASHQAI +2 (J10, JJ10) (07-)		RL	11.2010		46210-JD620	
		NISSAN	QASHQAI / QASHQAI +2 (J10, JJ10) (07-)	2,0 dCi	RL	02.2007		46210-JD620	
		NISSAN	QASHQAI / QASHQAI +2 (J10, JJ10) (07-)	2,0 dCi Allrad	RL	02.2007		46210-JD620	
		NISSAN	QASHQAI / QASHQAI +2 (J10, JJ10) (07-)	2,0 i 16V	RL	02.2007		46210-JD620	
		NISSAN	QASHQAI / QASHQAI +2 (J10, JJ10) (07-)		RL	11.2010		46210-JD620	
		NISSAN	QASHQAI / QASHQAI +2 (J10, JJ10) (07-)	2,0 i 16V Allrad	RL	02.2007		46210-JD620	
		NISSAN	QASHQAI / QASHQAI +2 (J10, JJ10) (07-)		RL	11.2010		46210-JD620	
		NISSAN	QASHQAI / QASHQAI +2 (J10, JJ10) (07-)	1,5 dCi	RL	11.2010		46210-JD620	
24.5292-0241.3	331226	NISSAN	QASHQAI / QASHQAI +2 (J10, JJ10) (07-)	2,0 i 16V	RR	11.2010		46210-JD610	
		NISSAN	QASHQAI / QASHQAI +2 (J10, JJ10) (07-)	1,5 dCi	RR	02.2007		46210-JD610	
		NISSAN	QASHQAI / QASHQAI +2 (J10, JJ10) (07-)		RR	11.2010		46210-JD610	
		NISSAN	QASHQAI / QASHQAI +2 (J10, JJ10) (07-)	1,6 dCi	RR	10.2011		46210-JD610	
		NISSAN	QASHQAI / QASHQAI +2 (J10, JJ10) (07-)	1,6 dCi Allrad	RR	10.2011		46210-JD610	
		NISSAN	QASHQAI / QASHQAI +2 (J10, JJ10) (07-)	1,6 i 16V	RR	02.2007		46210-JD610	



					OE numbers per ATE pn.		e.g. replaced pn. / miscellaneous
--	--	--	--	--	------------------------	--	-----------------------------------



BSH - Brake hose rear

24.5292-0241.3	331226	NISSAN	QASHQAI / QASHQAI +2 (J10, JJ10) (07-)	1,6 i 16V	RR	11.2010	46210-JD610
		NISSAN	QASHQAI / QASHQAI +2 (J10, JJ10) (07-)	2,0 dCi	RR	02.2007	46210-JD610
		NISSAN	QASHQAI / QASHQAI +2 (J10, JJ10) (07-)	2,0 i 16V Allrad	RR	02.2007	46210-JD610
		NISSAN	QASHQAI / QASHQAI +2 (J10, JJ10) (07-)		RR	11.2010	46210-JD610
		NISSAN	QASHQAI / QASHQAI +2 (J10, JJ10) (07-)	1,5 dCi	RR	07.2008	46210-JD610
		NISSAN	QASHQAI / QASHQAI +2 (J10, JJ10) (07-)	2,0 i 16V	RR	02.2007	46210-JD610
		NISSAN	QASHQAI / QASHQAI +2 (J10, JJ10) (07-)	2,0 dCi Allrad	RR	02.2007	46210-JD610
24.5131-0415.3	331238	VOLKSWAGEN	CRAFTER (06-)	2,0 TDI BlueMotion		07.2011	906 428 03 35 , 2E0 611 707 B
		VOLKSWAGEN	CRAFTER (06-)	2,5 TDI		04.2006	906 428 03 35 , 2E0 611 707 B
		MERCEDES BENZ	Transporter (BM 906) SPRINTER (06-)	515 CDI		04.2006	906 428 03 35 , 2E0 611 707 B
		MERCEDES BENZ	Transporter (BM 906) SPRINTER (06-)	518 CDI		04.2006	906 428 03 35 , 2E0 611 707 B
		MERCEDES BENZ	Transporter (BM 906) SPRINTER (06-)	524		04.2006	906 428 03 35 , 2E0 611 707 B
		MERCEDES BENZ	Transporter (BM 906) SPRINTER (06-)	416 CDI		03.2009	906 428 03 35 , 2E0 611 707 B
		MERCEDES BENZ	Transporter (BM 906) SPRINTER (06-)	415 CDI		04.2006	906 428 03 35 , 2E0 611 707 B
		MERCEDES BENZ	Transporter (BM 906) SPRINTER (06-)	413 CDI		04.2006	906 428 03 35 , 2E0 611 707 B



					OE numbers per ATE pn.		e.g. replaced pn. / miscellaneous
--	--	--	--	--	------------------------	--	-----------------------------------



BSH - Brake hose rear

24.5131-0415.3	331238	MERCEDES BENZ	Transporter (BM 906) SPRINTER (06-)	419 CDI		03.2009		906 428 03 35 , 2E0 611 707 B	
		MERCEDES BENZ	Transporter (BM 906) SPRINTER (06-)	424		04.2006		906 428 03 35 , 2E0 611 707 B	
		MERCEDES BENZ	Transporter (BM 906) SPRINTER (06-)	509 CDI		04.2006		906 428 03 35 , 2E0 611 707 B	
		MERCEDES BENZ	Transporter (BM 906) SPRINTER (06-)	511 CDI		04.2006		906 428 03 35 , 2E0 611 707 B	
		MERCEDES BENZ	Transporter (BM 906) SPRINTER (06-)	516		09.2008		906 428 03 35 , 2E0 611 707 B	
		MERCEDES BENZ	Transporter (BM 906) SPRINTER (06-)	418 CDI		04.2006		906 428 03 35 , 2E0 611 707 B	
		MERCEDES BENZ	Transporter (BM 906) SPRINTER (06-)	516 NGT		09.2008		906 428 03 35 , 2E0 611 707 B	
		MERCEDES BENZ	Transporter (BM 906) SPRINTER (06-)	510 CDI		03.2009		906 428 03 35 , 2E0 611 707 B	
24.5123-0610.3	331241	MERCEDES BENZ	GL-Klasse (X164) (06-12)	GL 450 4matic		03.2006	06.2012	164 420 02 48	
		MERCEDES BENZ	GL-Klasse (X164) (06-12)	GL 450 CDI 4matic		05.2009	06.2012	164 420 02 48	
		MERCEDES BENZ	GL-Klasse (X164) (06-12)	GL 350 BlueTec 4matic		05.2009	06.2012	164 420 02 48	
		MERCEDES BENZ	GL-Klasse (X164) (06-12)	GL 350 CDI 4matic		05.2009	06.2012	164 420 02 48	
		MERCEDES BENZ	GL-Klasse (X164) (06-12)	GL 420 CDI 4matic		03.2006	06.2012	164 420 02 48	
		MERCEDES BENZ	GL-Klasse (X164) (06-12)	GL 320 CDI 4matic		03.2006	06.2012	164 420 02 48	
		MERCEDES BENZ	GL-Klasse (X164) (06-12)	GL 500 4matic		03.2006	06.2012	164 420 02 48	

New partnumbers on stock - according to ATE pn.

12/2012



					OE numbers per ATE pn.		e.g. replaced pn. / miscellaneous
--	--	--	--	--	------------------------	--	-----------------------------------



BSH - Brake hose rear

24.5123-0610.3	331241	MERCEDES BENZ	M-Klasse (W164) (05-11)	ML 63 AMG		09.2005	05.2011	164 420 02 48	
		MERCEDES BENZ	M-Klasse (W164) (05-11)	ML 280 CDI		07.2005	05.2011	164 420 02 48	
		MERCEDES BENZ	M-Klasse (W164) (05-11)	ML 300		05.2009	05.2011	164 420 02 48	
		MERCEDES BENZ	M-Klasse (W164) (05-11)	ML 300 CDI 4-matic		07.2009	05.2011	164 420 02 48	
		MERCEDES BENZ	M-Klasse (W164) (05-11)	ML 320 CDI		07.2005	05.2011	164 420 02 48	
		MERCEDES BENZ	M-Klasse (W164) (05-11)	ML 350		07.2005	05.2011	164 420 02 48	
		MERCEDES BENZ	M-Klasse (W164) (05-11)	ML 350 Bluetec 4matic		05.2009	05.2011	164 420 02 48	
		MERCEDES BENZ	M-Klasse (W164) (05-11)	ML 500		07.2005	05.2011	164 420 02 48	
		MERCEDES BENZ	M-Klasse (W164) (05-11)	ML 450 Hybrid 4matic		08.2009	05.2011	164 420 02 48	
		MERCEDES BENZ	M-Klasse (W164) (05-11)	ML 450 CDI 4-matic		09.2009	05.2011	164 420 02 48	
		MERCEDES BENZ	M-Klasse (W164) (05-11)	ML 420 CDI		04.2006	05.2011	164 420 02 48	
		MERCEDES BENZ	M-Klasse (W164) (05-11)	ML 350 CDI 4-matic		07.2009	05.2011	164 420 02 48	
24.5239-0355.3	331243	FIAT	SCUDO (07-)	1,6 JTD		06.2007		1401070480	
		FIAT	SCUDO (07-)	2,0 D Multijet		06.2007		1401070480	
		FIAT	SCUDO (07-)			07.2010		1401070480	
		FIAT	SCUDO (07-)			04.2011		1401070480	
		FIAT	SCUDO (07-)	2,0 JTD		06.2007		1401070480	
24.5247-0275.3	331244	PEUGEOT	4007 (07-)	2,4 16V 4x4	RL	07.2007		4806 J1	



					OE numbers per ATE pn.		e.g. replaced pn. / miscellaneous
--	--	--	--	--	------------------------	--	-----------------------------------



BSH - Brake hose rear

24.5247-0275.3	331244	PEUGEOT	4007 (07-)	2,2 HDi 4x4	RL	02.2007		4806 J1	
		CITROEN	C-CROSSER (07-)	2,4	RL	08.2008		4806 J1	
		CITROEN	C-CROSSER (07-)	2,2 HDi	RL	02.2007		4806 J1	
24.5247-0276.3	331245	PEUGEOT	4007 (07-)	2,2 HDi 4x4	RR	02.2007		4806 J2	
		PEUGEOT	4007 (07-)	2,4 16V 4x4	RR	07.2007		4806 J2	
		CITROEN	C-CROSSER (07-)	2,2 HDi	RR	02.2007		4806 J2	
		CITROEN	C-CROSSER (07-)	2,4	RR	08.2008		4806 J2	
24.5261-0256.3	331246	HYUNDAI	ACCENT II (00-05)	1,5 i 12V		01.2000	10.2002	58737-1A000 , 58737-25000	
		HYUNDAI	ACCENT II (00-05)	1,6 i 16V		10.2002	09.2005	58737-1A000 , 58737-25000	
		HYUNDAI	ACCENT II (00-05)	1,5 CRDi		04.2002	09.2005	58737-1A000 , 58737-25000	
		HYUNDAI	ACCENT II (00-05)	1,3 i 12V		01.2000	07.2002	58737-1A000 , 58737-25000	
		HYUNDAI	ACCENT II (00-05)			01.2000	09.2005	58737-1A000 , 58737-25000	
		HYUNDAI	ACCENT II (00-05)			08.2002	09.2005	58737-1A000 , 58737-25000	
		HYUNDAI	ACCENT II (00-05)	1,5 i 16V		09.2000	09.2005	58737-1A000 , 58737-25000	
24.5270-0200.3	331247	HONDA	CIVIC Hatchback (FK/FN) (05-)	1,4 i-Vtec (FK1)	RL	01.2006		01468-SMG-E00	
		HONDA	CIVIC Hatchback (FK/FN) (05-)	2,0 i-Vtec (FN2)	RL	12.2006		01468-SMG-E00	
		HONDA	CIVIC Hatchback (FK/FN) (05-)	1,8 i-Vtec (FK2/FN1)	RL	01.2006		01468-SMG-E00	
		HONDA	CIVIC Hatchback (FK/FN) (05-)	2,0 Type R (FN2)	RL	09.2006		01468-SMG-E00	



					OE numbers per ATE pn.		e.g. replaced pn. / miscellaneous
--	--	--	--	--	------------------------	--	-----------------------------------



BSH - Brake hose rear

24.5270-0200.3	331247	HONDA	CIVIC Hatchback (FK/FN) (05-)	2,2 CTDi (FK3/FN3)	RL	01.2006		01468-SMG-E00	
		HONDA	CIVIC Stufenheck (FD) (05-)	2,0 16V (FD2)	RL	02.2006		01468-SMG-E00	
24.5270-0201.3	331248	HONDA	CIVIC Hatchback (FK/FN) (05-)	2,0 Type R (FN2)	RR	09.2006		01466-SMG-E00	
		HONDA	CIVIC Hatchback (FK/FN) (05-)	2,0 i-Vtec (FN2)	RR	12.2006		01466-SMG-E00	
		HONDA	CIVIC Hatchback (FK/FN) (05-)	1,8 i-Vtec (FK2/FN1)	RR	01.2006		01466-SMG-E00	
		HONDA	CIVIC Hatchback (FK/FN) (05-)	1,4 i-Vtec (FK1)	RR	01.2006		01466-SMG-E00	
		HONDA	CIVIC Hatchback (FK/FN) (05-)	2,2 CTDi (FK3/FN3)	RR	01.2006		01466-SMG-E00	
		HONDA	CIVIC Stufenheck (FD) (05-)	2,0 16V (FD2)	RR	02.2006		01466-SMG-E00	
24.5286-0540.3	331249	MITSUBISHI	PAJERO (00-07)	3,2 DiD (V68W)		10.2001	08.2006	MR407251	
		MITSUBISHI	PAJERO (00-07)	3,5 i V6 GDI (V65W)		04.2000	08.2006	MR407251	
		MITSUBISHI	PAJERO (00-07)	3,2 DiD (V68W)		04.2000	09.2001	MR407251	
		MITSUBISHI	PAJERO (00-07)	2,5 TDiC (V64W)		04.2000	01.2007	MR407251	
		MITSUBISHI	PAJERO (07-)	3,8 i V6 (V87W)		02.2010		MR407251	
		MITSUBISHI	PAJERO (07-)	3,2 4x4 (V88W)		02.2007		MR407251	
		MITSUBISHI	PAJERO (07-)	3,8 i V6 (V87W)		02.2007		MR407251	
		MITSUBISHI	PAJERO (07-)	3,2 TD 4x4 (V88W)		01.2009		MR407251	
		MITSUBISHI	PAJERO (07-)	3,2 DI-D (V88W)		02.2007		MR407251	
24.5286-0556.3	331251	MITSUBISHI	PAJERO (07-)	3,2 TD 4x4 (V98W)		01.2009		4650A307	



					OE numbers per ATE pn.		e.g. replaced pn. / miscellaneous
--	--	--	--	--	------------------------	--	-----------------------------------



BSH - Brake hose rear

24.5286-0556.3	331251	MITSUBISHI	PAJERO (07-)	3,0 i V6 (V93W)	02.2007	4650A307	
		MITSUBISHI	PAJERO (07-)	3,8 i V6 (V97W)	02.2007	4650A307	
		MITSUBISHI	PAJERO (07-)	3,2 DI-D (V98W)	02.2007	4650A307	
		MITSUBISHI	PAJERO (07-)	3,8 i V6 (V97W)	02.2010	4650A307	



BSV - Brake hose front

24.5112-0492.3	331217	PEUGEOT	BOXER (06-)	2,2 HDi 110	03.2011	51725095 , 4806 G6	
		PEUGEOT	BOXER (06-)	2,2 HDi 120	04.2006	51725095 , 4806 G6	
		PEUGEOT	BOXER (06-)	2,2 HDi 150	03.2011	51725095 , 4806 G6	
		PEUGEOT	BOXER (06-)	3,0 HDi 145	04.2010	51725095 , 4806 G6	
		PEUGEOT	BOXER (06-)	2,2 HDi 100	04.2006	51725095 , 4806 G6	
		PEUGEOT	BOXER (06-)	3,0 HDi 160	04.2006	51725095 , 4806 G6	
		PEUGEOT	BOXER (06-)	3,0 HDi 175	03.2011	51725095 , 4806 G6	
		PEUGEOT	BOXER (06-)	2,2 HDi 130	03.2011	51725095 , 4806 G6	
		FIAT	DUCATO (06-)	3,0 D 150 Multijet	04.2010	51725095 , 4806 G6	
		FIAT	DUCATO (06-)	3,0 D Multijet	06.2011	51725095 , 4806 G6	
		FIAT	DUCATO (06-)	3,0 D 160 Multijet	07.2006	51725095 , 4806 G6	



					OE numbers per ATE pn.	 e.g. replaced pn. / miscellaneous
--	--	--	--	--	-------------------------------	--



BSV - Brake hose front

24.5112-0492.3	331217	FIAT	DUCATO (06-)	2,3 D 150 Multijet	06.2011	51725095 , 4806 G6
		FIAT	DUCATO (06-)	2,3 D 130 Multijet	01.2007	51725095 , 4806 G6
		FIAT	DUCATO (06-)	2,3 D 120 Multijet	07.2006	51725095 , 4806 G6
		FIAT	DUCATO (06-)	2,2 D 100 Multijet	07.2006	51725095 , 4806 G6
		FIAT	DUCATO (06-)	2,0 D 115 Multijet	06.2011	51725095 , 4806 G6
		FIAT	DUCATO (06-)	140 Natural Power	04.2009	51725095 , 4806 G6
		CITROEN	JUMPER (06-)	3,0 HDi 145	07.2010	51725095 , 4806 G6
		CITROEN	JUMPER (06-)	2,2 HDi 110	07.2011	51725095 , 4806 G6
		CITROEN	JUMPER (06-)	2,2 HDi 100	04.2006	51725095 , 4806 G6
		CITROEN	JUMPER (06-)	3,0 HDi 180	07.2011	51725095 , 4806 G6
		CITROEN	JUMPER (06-)	3,0 HDi 155	07.2010	51725095 , 4806 G6
		CITROEN	JUMPER (06-)	2,2 HDi 150	07.2011	51725095 , 4806 G6
		CITROEN	JUMPER (06-)	2,2 HDi 130	07.2011	51725095 , 4806 G6
		CITROEN	JUMPER (06-)	3,0 HDi 160	09.2006	51725095 , 4806 G6
		CITROEN	JUMPER (06-)	2,2 HDi 120	04.2006	51725095 , 4806 G6
24.5113-0440.3	331239	BMW	3 series/E90 Saloon (05-)	330 xd	09.2005	34 30 6 793 026 , 34 30 6 771 690
		BMW	3 series/E90 Saloon (05-)	335 xi	03.2007	34 30 6 793 026 , 34 30 6 771 690



					OE numbers per ATE pn.		e.g. replaced pn. / miscellaneous
--	--	--	--	--	-------------------------------	--	--



BSV - Brake hose front

24.5113-0440.3	331239	BMW		3 series/E90 Saloon (05-)	320 xd		09.2007		34 30 6 793 026 , 34 30 6 771 690	
		BMW		3 series/E90 Saloon (05-)	325 xi		01.2005		34 30 6 793 026 , 34 30 6 771 690	
		BMW		3 series/E90 Saloon (05-)	330 xd		01.2009		34 30 6 793 026 , 34 30 6 771 690	
		BMW		3 series/E90 Saloon (05-)	330 xi		01.2005	08.2007	34 30 6 793 026 , 34 30 6 771 690	
		BMW		3 series/E90 Saloon (05-)			09.2007		34 30 6 793 026 , 34 30 6 771 690	
		BMW		3 series/E91 Touring (05-)	320 xd		09.2007		34 30 6 793 026 , 34 30 6 771 690	
		BMW		3 series/E91 Touring (05-)	330 xd		06.2005		34 30 6 793 026 , 34 30 6 771 690	
		BMW		3 series/E91 Touring (05-)	325 xi		06.2005		34 30 6 793 026 , 34 30 6 771 690	
		BMW		3 series/E91 Touring (05-)	335 xi		03.2007		34 30 6 793 026 , 34 30 6 771 690	
		BMW		3 series/E91 Touring (05-)	330 xi		09.2007		34 30 6 793 026 , 34 30 6 771 690	
		BMW		3 series/E91 Touring (05-)			06.2005	08.2007	34 30 6 793 026 , 34 30 6 771 690	
		BMW		3 series/E92 Coupe (06-)			09.2006		34 30 6 793 026 , 34 30 6 771 690	



					OE numbers per ATE pn.		e.g. replaced pn. / miscellaneous
--	--	--	--	--	------------------------	--	-----------------------------------



BSV - Brake hose front

24.5113-0440.3	331239	BMW	3 series/E92 Coupe (06-)	320 xd	03.2007		34 30 6 793 026 , 34 30 6 771 690	
		BMW	3 series/E92 Coupe (06-)	335 xi	09.2007		34 30 6 793 026 , 34 30 6 771 690	
		BMW	3 series/E92 Coupe (06-)	330 xd	09.2006		34 30 6 793 026 , 34 30 6 771 690	
		BMW	3 series/E92 Coupe (06-)	325 xi	09.2006		34 30 6 793 026 , 34 30 6 771 690	
24.5123-0545.3	331240	MERCEDES BENZ	GL-Klasse (X164) (06-12)	GL 500 4matic	03.2006	06.2012	164 420 03 48	
		MERCEDES BENZ	GL-Klasse (X164) (06-12)	GL 450 CDI 4matic	05.2009	06.2012	164 420 03 48	
		MERCEDES BENZ	GL-Klasse (X164) (06-12)	GL 450 4matic	03.2006	06.2012	164 420 03 48	
		MERCEDES BENZ	GL-Klasse (X164) (06-12)	GL 420 CDI 4matic	03.2006	06.2012	164 420 03 48	
		MERCEDES BENZ	GL-Klasse (X164) (06-12)	GL 320 CDI 4matic	03.2006	06.2012	164 420 03 48	
		MERCEDES BENZ	GL-Klasse (X164) (06-12)	GL 350 BlueTec 4matic	05.2009	06.2012	164 420 03 48	
		MERCEDES BENZ	GL-Klasse (X164) (06-12)	GL 350 CDI 4matic	05.2009	06.2012	164 420 03 48	
		MERCEDES BENZ	M-Klasse (W164) (05-11)	ML 63 AMG	09.2005	05.2011	164 420 03 48	
		MERCEDES BENZ	M-Klasse (W164) (05-11)	ML 450 CDI 4-matic	09.2009	05.2011	164 420 03 48	
		MERCEDES BENZ	M-Klasse (W164) (05-11)	ML 420 CDI	04.2006	05.2011	164 420 03 48	
		MERCEDES BENZ	M-Klasse (W164) (05-11)	ML 350 CDI 4-matic	07.2009	05.2011	164 420 03 48	
		MERCEDES BENZ	M-Klasse (W164) (05-11)	ML 350 Bluetec 4matic	05.2009	05.2011	164 420 03 48	



					OE numbers per ATE pn.		e.g. replaced pn. / miscellaneous
--	--	--	--	--	------------------------	--	-----------------------------------



BSV - Brake hose front

24.5123-0545.3	331240	MERCEDES BENZ	M-Klasse (W164) (05-11)	ML 280 CDI	07.2005	05.2011	164 420 03 48	
		MERCEDES BENZ	M-Klasse (W164) (05-11)	ML 300	05.2009	05.2011	164 420 03 48	
		MERCEDES BENZ	M-Klasse (W164) (05-11)	ML 300 CDI 4-matic	07.2009	05.2011	164 420 03 48	
		MERCEDES BENZ	M-Klasse (W164) (05-11)	ML 500	07.2005	05.2011	164 420 03 48	
		MERCEDES BENZ	M-Klasse (W164) (05-11)	ML 320 CDI	07.2005	05.2011	164 420 03 48	
		MERCEDES BENZ	M-Klasse (W164) (05-11)	ML 450 Hybrid 4matic	08.2009	05.2011	164 420 03 48	
		MERCEDES BENZ	M-Klasse (W164) (05-11)	ML 350	07.2005	05.2011	164 420 03 48	
24.5144-0410.3	331242	RENAULT	LAGUNA III Coupe (DT0/1) (07-)	2,0 dCi	10.2007		46 21 000 01R	
		RENAULT	LAGUNA III Coupe (DT0/1) (07-)	2,0 16V Turbo	09.2008		46 21 000 01R	
		RENAULT	LAGUNA III Coupe (DT0/1) (07-)	2,0 dCi	09.2008		46 21 000 01R	
		RENAULT	LAGUNA III Coupe (DT0/1) (07-)	2,0 dCi GT	03.2008		46 21 000 01R	
		RENAULT	LAGUNA III Coupe (DT0/1) (07-)	3,0 dCi	09.2008		46 21 000 01R	
		RENAULT	LAGUNA III Coupe (DT0/1) (07-)	3,5 V6	09.2008		46 21 000 01R	
		RENAULT	LAGUNA III Coupe (DT0/1) (07-)	2,0 16V Turbo GT	03.2008		46 21 000 01R	
		RENAULT	LAGUNA III Grandtour (KT0/1) (07-)	1,5 dCi	09.2007		46 21 000 01R	
		RENAULT	LAGUNA III Grandtour (KT0/1) (07-)	3,5 V6	04.2008		46 21 000 01R	
		RENAULT	LAGUNA III Grandtour (KT0/1) (07-)	2,0 16V	09.2007		46 21 000 01R	
		RENAULT	LAGUNA III Grandtour (KT0/1) (07-)	2,0 16V Hi-Flex	09.2007		46 21 000 01R	



					OE numbers per ATE pn.		e.g. replaced pn. / miscellaneous
--	--	--	--	--	------------------------	--	-----------------------------------



BSV - Brake hose front

24.5144-0410.3	331242	RENAULT	LAGUNA III Grandtour (KT0/1) (07-)	2,0 16V Turbo		09.2007		46 21 000 01R	
		RENAULT	LAGUNA III Grandtour (KT0/1) (07-)	2,0 16V Turbo GT		03.2008		46 21 000 01R	
		RENAULT	LAGUNA III Grandtour (KT0/1) (07-)	1,6 16V		09.2007		46 21 000 01R	
		RENAULT	LAGUNA III Grandtour (KT0/1) (07-)	3,0 dCi V6		09.2008		46 21 000 01R	
		RENAULT	LAGUNA III Grandtour (KT0/1) (07-)	2,0 dCi		09.2007		46 21 000 01R	
		RENAULT	LAGUNA III Grandtour (KT0/1) (07-)	2,0 dCi GT		03.2008		46 21 000 01R	
		RENAULT	LAGUNA III Saloon (BT0/1) (07-)	2,0 dCi		09.2007		46 21 000 01R	
		RENAULT	LAGUNA III Saloon (BT0/1) (07-)	3,5 V6		04.2008		46 21 000 01R	
		RENAULT	LAGUNA III Saloon (BT0/1) (07-)	2,0 dCi GT		03.2008		46 21 000 01R	
		RENAULT	LAGUNA III Saloon (BT0/1) (07-)	2,0 16V		09.2007		46 21 000 01R	
		RENAULT	LAGUNA III Saloon (BT0/1) (07-)	2,0 dCi		01.2008		46 21 000 01R	
		RENAULT	LAGUNA III Saloon (BT0/1) (07-)	2,0 16V Turbo GT		03.2008		46 21 000 01R	
		RENAULT	LAGUNA III Saloon (BT0/1) (07-)	2,0 16V Turbo		09.2007		46 21 000 01R	
		RENAULT	LAGUNA III Saloon (BT0/1) (07-)	2,0 16V Hi-Flex		09.2007		46 21 000 01R	
		RENAULT	LAGUNA III Saloon (BT0/1) (07-)	1,5 dCi		09.2007		46 21 000 01R	
		RENAULT	LAGUNA III Saloon (BT0/1) (07-)	1,6 16V		09.2007		46 21 000 01R	
		RENAULT	LAGUNA III Saloon (BT0/1) (07-)	3,0 dCi		09.2008		46 21 000 01R	
24.5286-0545.3	331250	MITSUBISHI	LANCER Evolution (04-07)	2,0 i 16V (CT9A)		01.2006	08.2007	MR407889	



					OE numbers per ATE pn.		e.g. replaced pn. / miscellaneous
--	--	--	--	--	------------------------	--	-----------------------------------



BSV - Brake hose front

24.5286-0545.3	331250	MITSUBISHI	LANCER Estate (03-07)	2,4 i 16V (CS9W)	09.2003	03.2007	MR407889	
		MITSUBISHI	LANCER Estate (03-07)	2,0 i 16V (CS9W)	09.2003	03.2007	MR407889	
		MITSUBISHI	LANCER Estate (03-07)	1,6 i 16V (CS3W)	09.2003	03.2007	MR407889	
		MITSUBISHI	LANCER Saloon (03-07)	1,3 i 16V (CS1A)	09.2003	03.2007	MR407889	
		MITSUBISHI	LANCER Saloon (03-07)	2,0 i 16V (CS9A)	12.2003	03.2007	MR407889	
		MITSUBISHI	LANCER Saloon (03-07)	1,6 i 16V (CS3A)	09.2003	03.2007	MR407889	



FSB - Parking brake shoe

03.0137-3021.2	653021	HONDA	CR-V II (02-06)	2,4 VTEC	01.2005	09.2006	43053-S9A-E52 , 43053-SWW-000	
		HONDA	CR-V II (02-06)	2,0 i 16V	01.2005	09.2006	43053-S9A-E52 , 43053-SWW-000	
		HONDA	CR-V II (02-06)	2,2 CTDi	02.2005	09.2006	43053-S9A-E52 , 43053-SWW-000	
		HONDA	CR-V III (07-)	2,4 i-Vtec Allrad	01.2007		43053-S9A-E52 , 43053-SWW-000	
		HONDA	CR-V III (07-)	2,0 i-Vtec	11.2009		43053-S9A-E52 , 43053-SWW-000	
		HONDA	CR-V III (07-)		01.2007	09.2010	43053-S9A-E52 , 43053-SWW-000	



					OE numbers per ATE pn.	 e.g. replaced pn. / miscellaneous
---	---	---	---	---	-------------------------------	---



FSB - Parking brake shoe

03.0137-3021.2	653021	HONDA		CR-V III (07-)	2,0 i-Vtec Allrad		01.2008	09.2010	43053-S9A-E52 , 43053-SWW-000	
		HONDA		CR-V III (07-)	2,2 CTDi		01.2007		43053-S9A-E52 , 43053-SWW-000	
		HONDA		CR-V III (07-)	2,2 i-Dtec		01.2007		43053-S9A-E52 , 43053-SWW-000	
		HONDA		CR-V III (07-)	2,4 i-Vtec		04.2007		43053-S9A-E52 , 43053-SWW-000	
		HONDA		CR-V III (07-)			11.2009		43053-S9A-E52 , 43053-SWW-000	
		HONDA		CR-V III (07-)	2,4 i-Vtec Allrad		09.2007		43053-S9A-E52 , 43053-SWW-000	
		HONDA		CR-V III (07-)	2,4 i-Vtec		09.2009		43053-S9A-E52 , 43053-SWW-000	
03.0137-3024.2	653024	HYUNDAI		GETZ (02-09)	1,5 CRDi		08.2005	02.2009	58350-3CA10 , 58350-1CA00 , 58350-38A20 , 58350-38A30	
		HYUNDAI		GETZ (02-09)			03.2003	04.2005	58350-3CA10 , 58350-1CA00 , 58350-38A20 , 58350-38A30	
		HYUNDAI		GETZ (02-09)	1,5 CRDi GLS		08.2005	02.2009	58350-3CA10 , 58350-1CA00 , 58350-38A20 , 58350-38A30	
		HYUNDAI		GETZ (02-09)			07.2004	07.2005	58350-3CA10 , 58350-1CA00 , 58350-38A20 , 58350-38A30	
		HYUNDAI		GETZ (02-09)	1,6 i 16V		08.2005	02.2009	58350-3CA10 , 58350-1CA00 , 58350-38A20 , 58350-38A30	



					OE numbers per ATE pn.		e.g. replaced pn. / miscellaneous
--	--	--	--	--	-------------------------------	--	--



FSB - Parking brake shoe

03.0137-3024.2	653024	HYUNDAI	GETZ (02-09)	1,6 i 16V		09.2002	07.2005	58350-3CA10 , 58350-1CA00 , 58350-38A20 , 58350-38A30	
		KIA	MAGENTIS (01-05)	2,5 i V6		05.2001	10.2005	58350-3CA10 , 58350-1CA00 , 58350-38A20 , 58350-38A30	
		KIA	MAGENTIS (01-05)	2,0 i 16V		05.2001	10.2005	58350-3CA10 , 58350-1CA00 , 58350-38A20 , 58350-38A30	
		HYUNDAI	SONATA (98-04)			10.2001	12.2004	58350-3CA10 , 58350-1CA00 , 58350-38A20 , 58350-38A30	
		HYUNDAI	SONATA (98-04)	2,7 i V6		10.2001	12.2004	58350-3CA10 , 58350-1CA00 , 58350-38A20 , 58350-38A30	



HBS - Handbrake cable

24.3727-0580.2	580580	FIAT	GRANDE PUNTO (06-11)	1,9 JTD	RR	10.2005	01.2011	55700927 , 55704103 , 51871599 , 51871598	
		FIAT	GRANDE PUNTO (06-11)	1,4 Abarth	RR	12.2007	01.2011	55700927 , 55704103 , 51871599 , 51871598	
		FIAT	GRANDE PUNTO (06-11)	1,4 T-Jet	RR	07.2007	01.2011	55700927 , 55704103 , 51871599 , 51871598	
		FIAT	GRANDE PUNTO (06-11)	1,6 D Multijet	RR	07.2008	01.2011	55700927 , 55704103 , 51871599 , 51871598	
		FIAT	GRANDE PUNTO (06-11)	1,9 JTD	RR	02.2006	01.2011	55700927 , 55704103 , 51871599 , 51871598	



					OE numbers per ATE pn.		e.g. replaced pn. / miscellaneous
--	--	--	--	--	------------------------	--	-----------------------------------



HBS - Handbrake cable

24.3727-0580.2	580580	FIAT	GRANDE PUNTO (06-11)	1,4 Abarth	RR	10.2007	01.2011	55700927 , 55704103 , 51871599 , 51871598	
		ALFA ROMEO	MITO (08-)	1,6 JTD	RR	08.2008		55700927 , 55704103 , 51871599 , 51871598	
		ALFA ROMEO	MITO (08-)	1,4 i 16V	RR	05.2011		55700927 , 55704103 , 51871599 , 51871598	
		ALFA ROMEO	MITO (08-)	1,4 TB	RR	08.2008		55700927 , 55704103 , 51871599 , 51871598	
		ALFA ROMEO	MITO (08-)	0,9	RR	07.2011		55700927 , 55704103 , 51871599 , 51871598	
		ALFA ROMEO	MITO (08-)	1,4 TB	RR	09.2009		55700927 , 55704103 , 51871599 , 51871598	
		ALFA ROMEO	MITO (08-)		RR	10.2009		55700927 , 55704103 , 51871599 , 51871598	
		ALFA ROMEO	MITO (08-)	1,4 Turbo	RR	09.2008		55700927 , 55704103 , 51871599 , 51871598	
		ALFA ROMEO	MITO (08-)	1,6 JTDM	RR	09.2008		55700927 , 55704103 , 51871599 , 51871598	
		ALFA ROMEO	MITO (08-)	1,4 i 16V	RR	08.2008		55700927 , 55704103 , 51871599 , 51871598	
		ALFA ROMEO	MITO (08-)	1,4	RR	08.2008		55700927 , 55704103 , 51871599 , 51871598	
		ALFA ROMEO	MITO (08-)	1,3 JTDM	RR	08.2008		55700927 , 55704103 , 51871599 , 51871598	



					OE numbers per ATE pn.		e.g. replaced pn. / miscellaneous
--	--	--	--	--	-------------------------------	--	--



HBS - Handbrake cable

24.3727-0580.2	580580	ALFA ROMEO	MITO (08-)	1,3 JTDM	RR	10.2009		55700927 , 55704103 , 51871599 , 51871598	
		ALFA ROMEO	MITO (08-)	1,4 Bifuel	RR	07.2011		55700927 , 55704103 , 51871599 , 51871598	
		ALFA ROMEO	MITO (08-)	1,3 JTDM	RR	01.2011		55700927 , 55704103 , 51871599 , 51871598	
		FIAT	PUNTO / PUNTO EVO (09-)	1,4 Abarth	RR	10.2009		55700927 , 55704103 , 51871599 , 51871598	
		FIAT	PUNTO / PUNTO EVO (09-)	1,4 MultiAir	RR	03.2012		55700927 , 55704103 , 51871599 , 51871598	
		FIAT	PUNTO / PUNTO EVO (09-)	1,4 Natural Power	RR	10.2009		55700927 , 55704103 , 51871599 , 51871598	
		FIAT	PUNTO / PUNTO EVO (09-)	2,0 Abarth	RR	10.2009		55700927 , 55704103 , 51871599 , 51871598	
		FIAT	PUNTO / PUNTO EVO (09-)	1,6 D Multijet	RR	10.2009		55700927 , 55704103 , 51871599 , 51871598	
		FIAT	PUNTO / PUNTO EVO (09-)	1,4 LPG	RR	06.2009		55700927 , 55704103 , 51871599 , 51871598	
		FIAT	PUNTO / PUNTO EVO (09-)	1,4 16V	RR	10.2009		55700927 , 55704103 , 51871599 , 51871598	
		FIAT	PUNTO / PUNTO EVO (09-)	1,3 D Multijet	RR	10.2009		55700927 , 55704103 , 51871599 , 51871598	
		FIAT	PUNTO / PUNTO EVO (09-)	1,2	RR	10.2009		55700927 , 55704103 , 51871599 , 51871598	



					OE numbers per ATE pn.		e.g. replaced pn. / miscellaneous
--	--	--	--	--	------------------------	--	-----------------------------------



HBS - Handbrake cable

24.3727-0580.2	580580	FIAT		PUNTO / PUNTO EVO (09-)	1,4	RR	10.2009		55700927 , 55704103 , 51871599 , 51871598	
----------------	---------------	------	--	-------------------------	-----	----	---------	--	---	--



HBZ - Master cylinder

03.2125-7743.3	010921	VOLVO		S60 I (00-09)	2,4 D5		09.2005	01.2009	36002374 , 36000735	03.2125-7737.3
		VOLVO		S60 I (00-09)	2,0 T			01.2009	36002374 , 36000735	03.2125-7737.3
		VOLVO		S60 I (00-09)	2,3 T5			04.2004	36002374 , 36000735	03.2125-7737.3
		VOLVO		S60 I (00-09)				09.2002	36002374 , 36000735	03.2125-7737.3
		VOLVO		S60 I (00-09)	2,4			01.2009	36002374 , 36000735	03.2125-7737.3
		VOLVO		S60 I (00-09)	2,4 Bi-Fuel		06.2002	01.2009	36002374 , 36000735	03.2125-7737.3
		VOLVO		S60 I (00-09)	2,4 T5		04.2004	01.2009	36002374 , 36000735	03.2125-7737.3
		VOLVO		S60 I (00-09)	2,5 T		02.2004	01.2009	36002374 , 36000735	03.2125-7737.3
		VOLVO		S60 I (00-09)	R 2,5 T		04.2004	05.2007	36002374 , 36000735	03.2125-7737.3
		VOLVO		S60 I (00-09)	2,4 T			01.2009	36002374 , 36000735	03.2125-7737.3
		VOLVO		S60 I (00-09)	2,4 D5			01.2009	36002374 , 36000735	03.2125-7737.3
		VOLVO		S60 I (00-09)	2,4 T AWD			01.2009	36002374 , 36000735	03.2125-7737.3
		VOLVO		S60 I (00-09)	2,4 D		09.2005	01.2009	36002374 , 36000735	03.2125-7737.3
		VOLVO		S60 I (00-09)				01.2009	36002374 , 36000735	03.2125-7737.3



					OE numbers per ATE pn.		e.g. replaced pn. / miscellaneous
--	--	--	--	--	------------------------	--	-----------------------------------



HBZ - Master cylinder

03.2125-7743.3	010921	VOLVO	S60 I (00-09)	R 2,5 T AWD	03.2003	01.2009	36002374 , 36000735	03.2125-7737.3
		VOLVO	S60 I (00-09)	2,5 T AWD	04.2004	01.2009	36002374 , 36000735	03.2125-7737.3
		VOLVO	S80 I (98-06)	2,5 TDI		02.2006	36002374 , 36000735	03.2125-7737.3
		VOLVO	S80 I (98-06)	2,8 T6		02.2006	36002374 , 36000735	03.2125-7737.3
		VOLVO	S80 I (98-06)	2,9		02.2006	36002374 , 36000735	03.2125-7737.3
		VOLVO	S80 I (98-06)	3,0 T6	06.2001	02.2006	36002374 , 36000735	03.2125-7737.3
		VOLVO	S80 I (98-06)	2,4 Bi-Fuel	09.2001	02.2006	36002374 , 36000735	03.2125-7737.3
		VOLVO	S80 I (98-06)	3	06.2001	02.2006	36002374 , 36000735	03.2125-7737.3
		VOLVO	S80 I (98-06)	2,5 T	07.2003	02.2006	36002374 , 36000735	03.2125-7737.3
		VOLVO	S80 I (98-06)	2,4 T	06.2000	02.2006	36002374 , 36000735	03.2125-7737.3
		VOLVO	S80 I (98-06)	2,4 D	10.2001	02.2006	36002374 , 36000735	03.2125-7737.3
		VOLVO	S80 I (98-06)	2,4		02.2006	36002374 , 36000735	03.2125-7737.3
		VOLVO	S80 I (98-06)	2,0 T	12.1999	02.2006	36002374 , 36000735	03.2125-7737.3
		VOLVO	S80 I (98-06)			02.2006	36002374 , 36000735	03.2125-7737.3
		VOLVO	S80 I (98-06)	2		02.2006	36002374 , 36000735	03.2125-7737.3
		VOLVO	S80 I (98-06)	2,4 D5	08.2001	02.2006	36002374 , 36000735	03.2125-7737.3
		VOLVO	V70 II (00-07)	2,0 T		07.2007	36002374 , 36000735	03.2125-7737.3
		VOLVO	V70 II (00-07)	2,4 T AWD		07.2007	36002374 , 36000735	03.2125-7737.3



					OE numbers per ATE pn.		e.g. replaced pn. / miscellaneous
--	--	--	--	--	-------------------------------	--	--



HBZ - Master cylinder

03.2125-7743.3	010921	VOLVO	V70 II (00-07)	2,5 T	04.2004	07.2007	36002374 , 36000735	03.2125-7737.3
		VOLVO	V70 II (00-07)	R 2,5 T AWD	03.2003	07.2007	36002374 , 36000735	03.2125-7737.3
		VOLVO	V70 II (00-07)	2,5 TDI		07.2007	36002374 , 36000735	03.2125-7737.3
		VOLVO	V70 II (00-07)	2,5 T AWD	09.2002	07.2007	36002374 , 36000735	03.2125-7737.3
		VOLVO	V70 II (00-07)	2,4 D5 AWD	12.2005	07.2007	36002374 , 36000735	03.2125-7737.3
		VOLVO	V70 II (00-07)	2,4 T		07.2007	36002374 , 36000735	03.2125-7737.3
		VOLVO	V70 II (00-07)	2,3		09.2004	36002374 , 36000735	03.2125-7737.3
		VOLVO	V70 II (00-07)	2,4 D5 AWD	03.2003	07.2007	36002374 , 36000735	03.2125-7737.3
		VOLVO	V70 II (00-07)	2,4 D5	12.2005	07.2007	36002374 , 36000735	03.2125-7737.3
		VOLVO	V70 II (00-07)			07.2007	36002374 , 36000735	03.2125-7737.3
		VOLVO	V70 II (00-07)	2,4 D	05.2005	07.2007	36002374 , 36000735	03.2125-7737.3
		VOLVO	V70 II (00-07)			07.2007	36002374 , 36000735	03.2125-7737.3
		VOLVO	V70 II (00-07)	2,4 Bi-Fuel		07.2007	36002374 , 36000735	03.2125-7737.3
		VOLVO	V70 II (00-07)	2,4 4X4		09.2003	36002374 , 36000735	03.2125-7737.3
		VOLVO	V70 II (00-07)	2,4		07.2007	36002374 , 36000735	03.2125-7737.3
		VOLVO	V70 II (00-07)	2,3 T5		07.2007	36002374 , 36000735	03.2125-7737.3
		VOLVO	V70 II (00-07)	2,4 T5	04.2004	07.2007	36002374 , 36000735	03.2125-7737.3
		VOLVO	XC70 I CROSS COUNTRY (00-07)	2,4 AWD	03.2000	09.2003	36002374 , 36000735	03.2125-7737.3



					OE numbers per ATE pn.		e.g. replaced pn. / miscellaneous
--	--	--	--	--	------------------------	--	-----------------------------------



HBZ - Master cylinder

03.2125-7743.3	010921	VOLVO	XC70 I CROSS COUNTRY (00-07)	2,4 D5 AWD	12.2005	07.2007	36002374 , 36000735	03.2125-7737.3
		VOLVO	XC70 I CROSS COUNTRY (00-07)	2,4 T XC AWD		09.2002	36002374 , 36000735	03.2125-7737.3
		VOLVO	XC70 I CROSS COUNTRY (00-07)	2,5 D5 XC AWD	09.2002	07.2007	36002374 , 36000735	03.2125-7737.3
		VOLVO	XC70 I CROSS COUNTRY (00-07)	2,5 T XC AWD	09.2002	07.2007	36002374 , 36000735	03.2125-7737.3
03.2120-4641.3	010932	RENAULT	TWINGO II (CN0_) (07-)	1,2 Turbo	03.2007		82 01 041 146	
		RENAULT	TWINGO II (CN0_) (07-)	1,5 dCi 90	10.2010		82 01 041 146	
		RENAULT	TWINGO II (CN0_) (07-)	1,5 dCi 75	10.2010		82 01 041 146	
		RENAULT	TWINGO II (CN0_) (07-)	1,5 dCi	03.2007		82 01 041 146	
		RENAULT	TWINGO II (CN0_) (07-)	1,2 TCe 100	02.2011		82 01 041 146	
		RENAULT	TWINGO II (CN0_) (07-)	1,2 16V	03.2007		82 01 041 146	
		RENAULT	TWINGO II (CN0_) (07-)	1,2	03.2007		82 01 041 146	
		RENAULT	TWINGO II (CN0_) (07-)	1,5 dCi	04.2008		82 01 041 146	
03.2125-0421.3	010934	SAAB	9-5 II (10-12)	2,0 TiD	03.2010	06.2012	13286445 , 5 58 404	
		SAAB	9-5 II (10-12)	2,8 T V6 XWD	03.2010	06.2012	13286445 , 5 58 404	
		SAAB	9-5 II (10-12)	2,0 TTiD	03.2010	06.2012	13286445 , 5 58 404	
		SAAB	9-5 II (10-12)	2,0 T XWD	03.2010	06.2012	13286445 , 5 58 404	
		SAAB	9-5 II (10-12)	2,0 T BioPower XWD	03.2010	06.2012	13286445 , 5 58 404	
		SAAB	9-5 II (10-12)	2,0 T BioPower	03.2010	06.2012	13286445 , 5 58 404	



					OE numbers per ATE pn.		e.g. replaced pn. / miscellaneous
--	--	--	--	--	-------------------------------	--	--



HBZ - Master cylinder

03.2125-0421.3	010934	SAAB	9-5 II (10-12)	1,6 T	03.2010	06.2012	13286445 , 5 58 404	
		SAAB	9-5 II (10-12)	2,0 TTID XWD	03.2010	06.2012	13286445 , 5 58 404	
		SAAB	9-5 II (10-12)	2,0 T	03.2010	06.2012	13286445 , 5 58 404	
		OPEL	ASTRA J / GTC / Vauxhall Astra MK VI (09-)	1,4 Turbo ECOTEC	11.2010		13286445 , 5 58 404	
		OPEL	ASTRA J / GTC / Vauxhall Astra MK VI (09-)	2,0 CDTi ECOTEC	12.2009		13286445 , 5 58 404	
		OPEL	ASTRA J / GTC / Vauxhall Astra MK VI (09-)	1,8	10.2011		13286445 , 5 58 404	
		OPEL	ASTRA J / GTC / Vauxhall Astra MK VI (09-)	1,7 CDTi ECOTEC	12.2009		13286445 , 5 58 404	
		OPEL	ASTRA J / GTC / Vauxhall Astra MK VI (09-)	1,4 Turbo ECOTEC	12.2009		13286445 , 5 58 404	
		OPEL	ASTRA J / GTC / Vauxhall Astra MK VI (09-)	1,4 LPG Turbo ecoFlex	01.2012		13286445 , 5 58 404	
		OPEL	ASTRA J / GTC / Vauxhall Astra MK VI (09-)	1,4 ecoFlex	12.2009		13286445 , 5 58 404	
		OPEL	ASTRA J / GTC / Vauxhall Astra MK VI (09-)	1,3 CDTi ECOTEC	12.2009		13286445 , 5 58 404	
		OPEL	ASTRA J / GTC / Vauxhall Astra MK VI (09-)	1,6 Turbo ECOTEC	12.2009		13286445 , 5 58 404	
		OPEL	ASTRA J Sports Tourer/Vau.Astra Sports Tourer (10		11.2010		13286445 , 5 58 404	
		OPEL	ASTRA J Sports Tourer/Vau.Astra Sports Tourer (10	1,4 ecoFlex	11.2010		13286445 , 5 58 404	
		OPEL	ASTRA J Sports Tourer/Vau.Astra Sports Tourer (10	1,7 CDTi ECOTEC	11.2010		13286445 , 5 58 404	
		OPEL	ASTRA J Sports Tourer/Vau.Astra Sports Tourer (10	1,6 ECOTEC	11.2010		13286445 , 5 58 404	
		OPEL	ASTRA J Sports Tourer/Vau.Astra Sports Tourer (10	1,4 LPG Turbo ecoFlex	01.2012		13286445 , 5 58 404	
		OPEL	ASTRA J Sports Tourer/Vau.Astra Sports Tourer (10	2,0 CDTi ECOTEC	11.2010		13286445 , 5 58 404	



					OE numbers per ATE pn.		e.g. replaced pn. / miscellaneous
--	--	--	--	--	------------------------	--	-----------------------------------



HBZ - Master cylinder

03.2125-0421.3	010934	OPEL	ASTRA J Sports Tourer/Vau.Astra Sports Tourer (10	1,3 CDTI ECOTEC	11.2010	13286445 , 5 58 404
		OPEL	ASTRA J Sports Tourer/Vau.Astra Sports Tourer (10	1,4 Turbo ECOTEC	11.2010	13286445 , 5 58 404
		CHEVROLET	CRUZE (09-)	1,6 i 16V	05.2009	13286445 , 5 58 404
		CHEVROLET	CRUZE (09-)	2,0 CDI	08.2010	13286445 , 5 58 404
		CHEVROLET	CRUZE (09-)		05.2009	13286445 , 5 58 404
		CHEVROLET	CRUZE (09-)	1,8 i 16V LPG	06.2011	13286445 , 5 58 404
		CHEVROLET	CRUZE (09-)	1,8 i 16V	05.2009	13286445 , 5 58 404
		CHEVROLET	CRUZE (09-)	1,7 D	01.2012	13286445 , 5 58 404
		OPEL	INSIGNIA / Vauxhall Insignia (08-)	2,0 Turbo 4x4	09.2011	13286445 , 5 58 404
		OPEL	INSIGNIA / Vauxhall Insignia (08-)	2,8 V6 Turbo 4x4	07.2008	13286445 , 5 58 404
		OPEL	INSIGNIA / Vauxhall Insignia (08-)	2,8 V6 T 4x4 OPC	07.2009	13286445 , 5 58 404
		OPEL	INSIGNIA / Vauxhall Insignia (08-)	2,0 Turbo 4x4	07.2008	13286445 , 5 58 404
		OPEL	INSIGNIA / Vauxhall Insignia (08-)	2,0 Turbo	07.2008	13286445 , 5 58 404
		OPEL	INSIGNIA / Vauxhall Insignia (08-)		06.2011	13286445 , 5 58 404
		OPEL	INSIGNIA / Vauxhall Insignia (08-)	2,0 CDTI 4x4	06.2010	13286445 , 5 58 404
		OPEL	INSIGNIA / Vauxhall Insignia (08-)	2,0 CDTI	07.2008	13286445 , 5 58 404
		OPEL	INSIGNIA / Vauxhall Insignia (08-)	2,0 BiTurbo CDTI 4x4	07.2008	13286445 , 5 58 404
		OPEL	INSIGNIA / Vauxhall Insignia (08-)	2,0 BiTurbo CDTI	07.2008	13286445 , 5 58 404



					OE numbers per ATE pn.		e.g. replaced pn. / miscellaneous
--	--	--	--	--	------------------------	--	-----------------------------------



HBZ - Master cylinder

03.2125-0421.3	010934	OPEL	INSIGNIA / Vauxhall Insignia (08-)	1,8	07.2008	13286445 , 5 58 404
		OPEL	INSIGNIA / Vauxhall Insignia (08-)	1,6 Turbo	10.2008	13286445 , 5 58 404
		OPEL	INSIGNIA / Vauxhall Insignia (08-)	1,6	07.2008	13286445 , 5 58 404
		OPEL	INSIGNIA / Vauxhall Insignia (08-)	1,4 Turbo ecoFLEX	06.2011	13286445 , 5 58 404
		OPEL	INSIGNIA / Vauxhall Insignia (08-)	1,4 Turbo LPG ecoFLEX	07.2012	13286445 , 5 58 404
		OPEL	INSIGNIA Sports Tourer / Vauxh. Insignia SportsTo	2,0 CDTI 4x4	06.2010	13286445 , 5 58 404
		OPEL	INSIGNIA Sports Tourer / Vauxh. Insignia SportsTo	1,4 Turbo ecoFlex	06.2011	13286445 , 5 58 404
		OPEL	INSIGNIA Sports Tourer / Vauxh. Insignia SportsTo	2,0 Turbo	07.2008	13286445 , 5 58 404
		OPEL	INSIGNIA Sports Tourer / Vauxh. Insignia SportsTo		06.2011	13286445 , 5 58 404
		OPEL	INSIGNIA Sports Tourer / Vauxh. Insignia SportsTo	2,0 Turbo 4x4	09.2011	13286445 , 5 58 404
		OPEL	INSIGNIA Sports Tourer / Vauxh. Insignia SportsTo	2,8 V6 T 4x4 OPC	07.2009	13286445 , 5 58 404
		OPEL	INSIGNIA Sports Tourer / Vauxh. Insignia SportsTo	2,8 V6 Turbo	07.2008	13286445 , 5 58 404
		OPEL	INSIGNIA Sports Tourer / Vauxh. Insignia SportsTo	2,8 V6 Turbo 4x4	07.2008	13286445 , 5 58 404
		OPEL	INSIGNIA Sports Tourer / Vauxh. Insignia SportsTo	2,0 CDTI	07.2008	13286445 , 5 58 404
		OPEL	INSIGNIA Sports Tourer / Vauxh. Insignia SportsTo	2,0 BiTurbo CDTI	07.2008	13286445 , 5 58 404
		OPEL	INSIGNIA Sports Tourer / Vauxh. Insignia SportsTo	2,0 BiTurbo CDTI 4x4	07.2008	13286445 , 5 58 404
		OPEL	INSIGNIA Sports Tourer / Vauxh. Insignia SportsTo	1,8	07.2008	13286445 , 5 58 404
		OPEL	INSIGNIA Sports Tourer / Vauxh. Insignia SportsTo	1,6 Turbo	10.2008	13286445 , 5 58 404



					OE numbers per ATE pn.		e.g. replaced pn. / miscellaneous
--	--	--	--	--	------------------------	--	-----------------------------------



HBZ - Master cylinder

03.2125-0421.3	010934	OPEL	INSIGNIA Sports Tourer / Vauxh. Insignia SportsTo	1,6	07.2008		13286445 , 5 58 404
		OPEL	INSIGNIA Sports Tourer / Vauxh. Insignia SportsTo	2,0 Turbo 4x4	07.2008		13286445 , 5 58 404
		OPEL	INSIGNIA Sports Tourer / Vauxh. Insignia SportsTo	1,4 Turbo LPG ecoFLEX	07.2012		13286445 , 5 58 404
		CHEVROLET	MALIBU (V300) (12-)	2,0 VDCi	04.2012		13286445 , 5 58 404
		CHEVROLET	MALIBU (V300) (12-)	2,4 16V	01.2012		13286445 , 5 58 404
		CHEVROLET	ORLANDO (11-)	1,8	02.2011		13286445 , 5 58 404
		CHEVROLET	ORLANDO (11-)	2,0 D	02.2011		13286445 , 5 58 404
		OPEL	ZAFIRA III Tourer / Vauxhall Zafira III Tourer (11-)	1,6 T CNG	11.2011		13286445 , 5 58 404
		OPEL	ZAFIRA III Tourer / Vauxhall Zafira III Tourer (11-)	2,0 CDTi	11.2011		13286445 , 5 58 404
		OPEL	ZAFIRA III Tourer / Vauxhall Zafira III Tourer (11-)	1,4 T	11.2011		13286445 , 5 58 404
		OPEL	ZAFIRA III Tourer / Vauxhall Zafira III Tourer (11-)	1,6 T	11.2011		13286445 , 5 58 404
		OPEL	ZAFIRA III Tourer / Vauxhall Zafira III Tourer (11-)	1,7 CDTi	11.2011		13286445 , 5 58 404
		OPEL	ZAFIRA III Tourer / Vauxhall Zafira III Tourer (11-)	1,8	11.2011		13286445 , 5 58 404
		OPEL	ZAFIRA III Tourer / Vauxhall Zafira III Tourer (11-)	1,4 T LPG	11.2011		13286445 , 5 58 404
03.2125-0651.3	010935	FORD	FOCUS II (05-11)	2,5 RS	01.2009	02.2011	1679119 , 8V41-2140-AC , 1573334 , 8V41-2140-AB
		FORD	FOCUS II (05-11)	2,5 RS 500	05.2010	02.2011	1679119 , 8V41-2140-AC , 1573334 , 8V41-2140-AB
		FORD	KUGA I (08-)	2,0 TDCi	11.2008		1679119 , 8V41-2140-AC , 1573334 , 8V41-2140-AB



					OE numbers per ATE pn.		e.g. replaced pn. / miscellaneous
--	--	--	--	--	-------------------------------	--	--



HBZ - Master cylinder

03.2125-0651.3	010935	FORD	KUGA I (08-)	2,5 i 4x4	11.2008	1679119 , 8V41-2140-AC , 1573334 , 8V41-2140-AB
		FORD	KUGA I (08-)	2,0 TDCi 4x4	03.2010	1679119 , 8V41-2140-AC , 1573334 , 8V41-2140-AB
		FORD	KUGA I (08-)		11.2008	1679119 , 8V41-2140-AC , 1573334 , 8V41-2140-AB
		FORD	KUGA I (08-)	2,5 i	03.2009	1679119 , 8V41-2140-AC , 1573334 , 8V41-2140-AB
		FORD	KUGA I (08-)	2,0 TDCi	03.2010	1679119 , 8V41-2140-AC , 1573334 , 8V41-2140-AB
03.2126-3146.3	010936	MERCEDES BENZ	CLS-Klasse (C218) Coupe (10-)	CLS 500 4matic	11.2010	212 430 00 01
		MERCEDES BENZ	CLS-Klasse (C218) Coupe (10-)	CLS 63 AMG	01.2011	212 430 00 01
		MERCEDES BENZ	CLS-Klasse (C218) Coupe (10-)	CLS 500	11.2010	212 430 00 01
		MERCEDES BENZ	CLS-Klasse (C218) Coupe (10-)	CLS 350 CGI	11.2010	212 430 00 01
		MERCEDES BENZ	CLS-Klasse (C218) Coupe (10-)	CLS 350 CDI 4matic	09.2011	212 430 00 01
		MERCEDES BENZ	CLS-Klasse (C218) Coupe (10-)	CLS 350 CDI	11.2010	212 430 00 01
		MERCEDES BENZ	CLS-Klasse (C218) Coupe (10-)	CLS 250 CDI	11.2010	212 430 00 01
		MERCEDES BENZ	CLS-Klasse (C218) Coupe (10-)	CLS 63 AMG	03.2011	212 430 00 01
		MERCEDES BENZ	CLS-Klasse (X218) Shooting Brake (12-)		09.2012	212 430 00 01
		MERCEDES BENZ	CLS-Klasse (X218) Shooting Brake (12-)	CLS 250 CDI	09.2012	212 430 00 01
		MERCEDES BENZ	CLS-Klasse (X218) Shooting Brake (12-)	CLS 350	09.2012	212 430 00 01



					OE numbers per ATE pn.		e.g. replaced pn. / miscellaneous
--	--	--	--	--	------------------------	--	-----------------------------------



HBZ - Master cylinder

03.2126-3146.3	010936	MERCEDES BENZ	CLS-Klasse (X218) Shooting Brake (12-)	CLS 350 CDI		09.2012		212 430 00 01	
		MERCEDES BENZ	CLS-Klasse (X218) Shooting Brake (12-)	CLS 350 CDI 4matic		09.2012		212 430 00 01	
		MERCEDES BENZ	CLS-Klasse (X218) Shooting Brake (12-)	CLS 500		09.2012		212 430 00 01	
		MERCEDES BENZ	CLS-Klasse (X218) Shooting Brake (12-)	CLS 500 4matic		09.2012		212 430 00 01	
		MERCEDES BENZ	E-Class (S212) Estate (09-)	E 350 CDI		11.2009		212 430 00 01	
		MERCEDES BENZ	E-Class (S212) Estate (09-)	E 350		09.2011		212 430 00 01	
		MERCEDES BENZ	E-Class (S212) Estate (09-)			11.2009		212 430 00 01	
		MERCEDES BENZ	E-Class (S212) Estate (09-)	E 350 4-matic		09.2011		212 430 00 01	
		MERCEDES BENZ	E-Class (S212) Estate (09-)	E 350 BlueTec		11.2009		212 430 00 01	
		MERCEDES BENZ	E-Class (S212) Estate (09-)	E 500		11.2009		212 430 00 01	
		MERCEDES BENZ	E-Class (S212) Estate (09-)	E 350 CDI 4-matic		11.2009		212 430 00 01	
		MERCEDES BENZ	E-Class (S212) Estate (09-)	E 350 4-matic		11.2009		212 430 00 01	
		MERCEDES BENZ	E-Class (S212) Estate (09-)	E 300 CDI		03.2011		212 430 00 01	
		MERCEDES BENZ	E-Class (S212) Estate (09-)	E 300 4matic		07.2011		212 430 00 01	
		MERCEDES BENZ	E-Class (S212) Estate (09-)	E 350 CGI		11.2009		212 430 00 01	
		MERCEDES BENZ	E-Class (S212) Estate (09-)	E 500 4-Matic		09.2011		212 430 00 01	
		MERCEDES BENZ	E-Class (S212) Estate (09-)	E 200 CGI		11.2009		212 430 00 01	
		MERCEDES BENZ	E-Class (S212) Estate (09-)	E 500		09.2011		212 430 00 01	



					OE numbers per ATE pn.		e.g. replaced pn. / miscellaneous
--	--	--	--	--	------------------------	--	-----------------------------------



HBZ - Master cylinder

03.2126-3146.3	010936	MERCEDES BENZ	E-Class (S212) Estate (09-)	E 300		07.2011		212 430 00 01	
		MERCEDES BENZ	E-Class (S212) Estate (09-)	E 250 CGI		11.2009		212 430 00 01	
		MERCEDES BENZ	E-Class (S212) Estate (09-)	E 250 CDI 4matic		07.2010		212 430 00 01	
		MERCEDES BENZ	E-Class (S212) Estate (09-)	E 250 CDI		11.2009		212 430 00 01	
		MERCEDES BENZ	E-Class (S212) Estate (09-)	E 220 CDI		11.2009		212 430 00 01	
		MERCEDES BENZ	E-Class (S212) Estate (09-)	E 200 CDI		11.2009		212 430 00 01	
		MERCEDES BENZ	E-Class (S212) Estate (09-)	E 63 AMG		11.2009		212 430 00 01	
		MERCEDES BENZ	E-Class (W212) Saloon (09-)	E 350 4-Matic		03.2009		212 430 00 01	
		MERCEDES BENZ	E-Class (W212) Saloon (09-)	E 200 CDI		03.2009		212 430 00 01	
		MERCEDES BENZ	E-Class (W212) Saloon (09-)	E 350 4-Matic		09.2011		212 430 00 01	
		MERCEDES BENZ	E-Class (W212) Saloon (09-)	E 200 CGI		08.2009		212 430 00 01	
		MERCEDES BENZ	E-Class (W212) Saloon (09-)	E 220 CDI		03.2009		212 430 00 01	
		MERCEDES BENZ	E-Class (W212) Saloon (09-)	E 250		03.2009		212 430 00 01	
		MERCEDES BENZ	E-Class (W212) Saloon (09-)	E 250 CDI		03.2009		212 430 00 01	
		MERCEDES BENZ	E-Class (W212) Saloon (09-)	E 250 CGI		01.2009		212 430 00 01	
		MERCEDES BENZ	E-Class (W212) Saloon (09-)	E 300		03.2009		212 430 00 01	
		MERCEDES BENZ	E-Class (W212) Saloon (09-)	E 300 BE 4matic		07.2011		212 430 00 01	
		MERCEDES BENZ	E-Class (W212) Saloon (09-)	E 300 BlueEfficiency		07.2011		212 430 00 01	



					OE numbers per ATE pn.		e.g. replaced pn. / miscellaneous
--	--	--	--	--	------------------------	--	-----------------------------------



HBZ - Master cylinder

03.2126-3146.3	010936	MERCEDES BENZ	E-Class (W212) Saloon (09-)	E 200 NGT	03.2009	212 430 00 01	
		MERCEDES BENZ	E-Class (W212) Saloon (09-)	E 350	09.2011	212 430 00 01	
		MERCEDES BENZ	E-Class (W212) Saloon (09-)	E 63 AMG	03.2009	212 430 00 01	
		MERCEDES BENZ	E-Class (W212) Saloon (09-)	E 350 Bluetec	03.2009	212 430 00 01	
		MERCEDES BENZ	E-Class (W212) Saloon (09-)	E 350 CDI	03.2009	212 430 00 01	
		MERCEDES BENZ	E-Class (W212) Saloon (09-)	E 350 CDI 4-Matic	03.2009	212 430 00 01	
		MERCEDES BENZ	E-Class (W212) Saloon (09-)	E 350 CGI	03.2009	212 430 00 01	
		MERCEDES BENZ	E-Class (W212) Saloon (09-)	E 500	03.2009	212 430 00 01	
		MERCEDES BENZ	E-Class (W212) Saloon (09-)		09.2011	212 430 00 01	
		MERCEDES BENZ	E-Class (W212) Saloon (09-)	E 500 4-Matic	03.2009	212 430 00 01	
		MERCEDES BENZ	E-Class (W212) Saloon (09-)		09.2011	212 430 00 01	
		MERCEDES BENZ	E-Class (W212) Saloon (09-)	E 300 CDI	04.2011	212 430 00 01	
		MERCEDES BENZ	E-Class (W212) Saloon (09-)	E 350	03.2009	212 430 00 01	
03.2120-4611.3	010937	DACIA	LOGAN Express (FS_) (09-)	1,2 i 16V	06.2009	60 01 551 313	
		DACIA	LOGAN Limousine (LS_) (04-)	1,5 dCi	09.2007	60 01 551 313	
		DACIA	LOGAN Limousine (LS_) (04-)		05.2010	60 01 551 313	
		DACIA	LOGAN Limousine (LS_) (04-)	1,2 16V	02.2006	60 01 551 313	
		DACIA	SANDERO (08-)	1,4	06.2008	60 01 551 313	



					OE numbers per ATE pn.		e.g. replaced pn. / miscellaneous
--	--	--	--	--	------------------------	--	-----------------------------------



HBZ - Master cylinder

03.2120-4611.3	010937	DACIA	SANDERO (08-)	1,6 MPI 85	05.2010	60 01 551 313	
		DACIA	SANDERO (08-)	1,6	06.2008	60 01 551 313	
		DACIA	SANDERO (08-)	1,5 dCi	11.2008	60 01 551 313	
		DACIA	SANDERO (08-)	1,4 MPI LPG	01.2009	60 01 551 313	
		DACIA	SANDERO (08-)	1,2 16V Bifuel	11.2008	60 01 551 313	
		DACIA	SANDERO (08-)	1,2 16V	11.2008	60 01 551 313	
		DACIA	SANDERO (08-)	1,5 dCi	05.2010	60 01 551 313	
		RENAULT	SANDERO (BS0_) (09-)	1,6	02.2009	60 01 551 313	
		RENAULT	SANDERO (BS0_) (09-)		05.2009	60 01 551 313	
		RENAULT	SANDERO (BS0_) (09-)		11.2010	60 01 551 313	
		RENAULT	SANDERO (BS0_) (09-)	1,4	02.2009	60 01 551 313	
03.2122-2031.3	010938	RENAULT	DUSTER (HS-) (11-)	1,6 16V 4x4	06.2011	60 01 551 314	
		RENAULT	DUSTER (HS-) (11-)	1,5 dCi	06.2011	60 01 551 314	
		RENAULT	DUSTER (HS-) (11-)	1,5 dCi 4x4	06.2011	60 01 551 314	
		RENAULT	DUSTER (HS-) (11-)	1,6 16V	06.2011	60 01 551 314	
		DACIA	DUSTER (HS_) (10-)	1,5 dCi	06.2010	60 01 551 314	
		DACIA	DUSTER (HS_) (10-)	1,5 dCi 4x4	06.2010	60 01 551 314	
		DACIA	DUSTER (HS_) (10-)		10.2010	60 01 551 314	



					OE numbers per ATE pn.		e.g. replaced pn. / miscellaneous
--	--	--	--	--	------------------------	--	-----------------------------------



HBZ - Master cylinder

03.2122-2031.3	010938	DACIA	DUSTER (HS_) (10-)	1,6 16V	04.2010	60 01 551 314
		DACIA	DUSTER (HS_) (10-)	1,6 16V LPG	04.2011	60 01 551 314
		DACIA	DUSTER (HS_) (10-)	1,5 dCi	04.2010	60 01 551 314
		DACIA	DUSTER (HS_) (10-)	1,6 16V 4x4	06.2010	60 01 551 314
		DACIA	DUSTER (HS_) (10-)	1,5 dCi	10.2010	60 01 551 314
		DACIA	LOGAN Express (FS_) (09-)	1,4	03.2009	60 01 551 314
		DACIA	LOGAN Express (FS_) (09-)	1,6 MPI 85	05.2010	60 01 551 314
		DACIA	LOGAN Express (FS_) (09-)	1,6 Bifuel	05.2010	60 01 551 314
		DACIA	LOGAN Express (FS_) (09-)	1,5 dCi	03.2009	60 01 551 314
		DACIA	LOGAN Express (FS_) (09-)		05.2010	60 01 551 314
		DACIA	LOGAN MCV Kombi (KS_) (07-)		09.2007	60 01 551 314
		DACIA	LOGAN MCV Kombi (KS_) (07-)	1,6 16V Flexifuel	11.2009	60 01 551 314
		DACIA	LOGAN MCV Kombi (KS_) (07-)	1,5 dCi	05.2010	60 01 551 314
		DACIA	LOGAN Pick-up (US_) (08-)	1,6 MPI 85	05.2010	60 01 551 314
		DACIA	LOGAN Pick-up (US_) (08-)	1,4	01.2009	60 01 551 314
		DACIA	LOGAN Pick-up (US_) (08-)	1,5 dCi	03.2008	60 01 551 314
		DACIA	LOGAN Pick-up (US_) (08-)		05.2010	60 01 551 314
		DACIA	LOGAN Pick-up (US_) (08-)	1,6 Bifuel	05.2010	60 01 551 314



					OE numbers per ATE pn.		e.g. replaced pn. / miscellaneous
--	--	--	--	--	------------------------	--	-----------------------------------



HBZ - Master cylinder

03.2122-2031.3	010938	DACIA	LOGAN Pick-up (US_) (08-)	1,6	03.2008	60 01 551 314
		DACIA	SANDERO (08-)	1,5 dCi	11.2008	60 01 551 314
24.2123-1777.3	010943	OPEL	VECTRA B / Vauxhall Vectra (96-02)	1,8 i 16V		5 58 020 , 3495649
		OPEL	VECTRA B / Vauxhall Vectra (96-02)	1,6 16V		5 58 020 , 3495649
		OPEL	VECTRA B / Vauxhall Vectra (96-02)	1,6		5 58 020 , 3495649
		OPEL	VECTRA B / Vauxhall Vectra (96-02)	2,0 DTI 16V		5 58 020 , 3495649
		OPEL	VECTRA B / Vauxhall Vectra (96-02)	2,0 DI 16V		5 58 020 , 3495649
03.2125-0531.3	010945	NISSAN	PATHFINDER (R51M) (05-)	2,5 dCi 4WD	03.2005	46010-EB325 , 46010-4X026
		NISSAN	PATHFINDER (R51M) (05-)	2,5 dCi	01.2005	46010-EB325 , 46010-4X026
		NISSAN	PATHFINDER (R51M) (05-)	4,0 4WD	09.2005	46010-EB325 , 46010-4X026
		NISSAN	PATHFINDER (R51M) (05-)	2,5 dCi 4WD	10.2006	46010-EB325 , 46010-4X026
		NISSAN	PATHFINDER (R51M) (05-)	4	01.2005	46010-EB325 , 46010-4X026



RSH - ATE Original TOPKIT rear

03.0520-4517.3	694517	HYUNDAI	ACCENT II (00-05)	1,5 i 16V	08.2002	09.2005
		HYUNDAI	ACCENT II (00-05)	1,5 i 12V	08.2002	10.2002
		HYUNDAI	ACCENT II (00-05)	1,5 CRDi	08.2002	09.2005



					OE numbers per ATE pn.		e.g. replaced pn. / miscellaneous
--	--	--	--	--	------------------------	--	-----------------------------------



RSH - ATE Original TOPKIT rear

03.0520-4517.3	694517	HYUNDAI	ACCENT II (00-05)	1,3 i 12V		08.2002	09.2005		
		HYUNDAI	ACCENT II (00-05)	1,6 i 16V		10.2002	09.2005		
03.0520-7419.3	697419	HYUNDAI	ACCENT II (00-05)	1,5 CRDi		04.2002	07.2002		
		HYUNDAI	ACCENT II (00-05)	1,5 i 12V		01.2000	07.2002		
		HYUNDAI	ACCENT II (00-05)	1,3 i 12V		01.2000	07.2002		
		HYUNDAI	ACCENT II (00-05)	1,5 i 16V		09.2000	07.2002		



SAH - Caliper rear

11.9426-9959.2	220801	MERCEDES BENZ	CL-Class (C216) Coupe (06-)	CL 500 BlueEfficiency	RL	10.2010		221 423 03 81	
		MERCEDES BENZ	CL-Class (C216) Coupe (06-)	CL 500 4-Matic	RL	03.2008		221 423 03 81	
		MERCEDES BENZ	CL-Class (C216) Coupe (06-)	CL 500	RL	07.2006		221 423 03 81	
		MERCEDES BENZ	CLS-Klasse (C218) Coupe (10-)	CLS 500 4matic	RL	11.2010		221 423 03 81	
		MERCEDES BENZ	CLS-Klasse (C218) Coupe (10-)	CLS 500	RL	11.2010		221 423 03 81	
		MERCEDES BENZ	CLS-Class (C219) Coupe (04-10)		RL	04.2006	10.2010	221 423 03 81	
		MERCEDES BENZ	CLS-Klasse (X218) Shooting Brake (12-)		RL	09.2012		221 423 03 81	
		MERCEDES BENZ	CLS-Klasse (X218) Shooting Brake (12-)	CLS 500 4matic	RL	09.2012		221 423 03 81	
		MERCEDES BENZ	E-Class (S212) Estate (09-)	E 500 4-Matic	RL	09.2011		221 423 03 81	
		MERCEDES BENZ	E-Class (S212) Estate (09-)	E 500	RL	09.2011		221 423 03 81	



					OE numbers per ATE pn.		e.g. replaced pn. / miscellaneous
--	--	--	--	--	------------------------	--	-----------------------------------



SAH - Caliper rear

11.9426-9959.2	220801	MERCEDES BENZ	E-Class (S212) Estate (09-)	E 500	RL	11.2009		221 423 03 81	
		MERCEDES BENZ	E-Class (W212) Saloon (09-)	E 500 4-Matic	RL	03.2009		221 423 03 81	
		MERCEDES BENZ	E-Class (W212) Saloon (09-)	E 500	RL	03.2009		221 423 03 81	
		MERCEDES BENZ	E-Class (W212) Saloon (09-)	E 500 4-Matic	RL	09.2011		221 423 03 81	
		MERCEDES BENZ	E-Class (W212) Saloon (09-)	E 500	RL	09.2011		221 423 03 81	
		MERCEDES BENZ	S-Class (W221) (06-)	S 350 BlueTec 4-matic	RL	04.2011		221 423 03 81	
		MERCEDES BENZ	S-Class (W221) (06-)	S 400 Hybrid	RL			221 423 03 81	
		MERCEDES BENZ	S-Class (W221) (06-)	S 280 / S 300	RL			221 423 03 81	
		MERCEDES BENZ	S-Class (W221) (06-)		RL	04.2006		221 423 03 81	
		MERCEDES BENZ	S-Class (W221) (06-)	S 320 CDI / S 350 CDI	RL			221 423 03 81	
		MERCEDES BENZ	S-Class (W221) (06-)		RL	12.2005		221 423 03 81	
		MERCEDES BENZ	S-Class (W221) (06-)	S 450	RL	04.2006		221 423 03 81	
		MERCEDES BENZ	S-Class (W221) (06-)	S 250 CDI	RL	01.2011		221 423 03 81	
		MERCEDES BENZ	S-Class (W221) (06-)	S 500	RL	12.2005		221 423 03 81	
		MERCEDES BENZ	S-Class (W221) (06-)	S 450 4-Matic	RL	04.2006		221 423 03 81	
		MERCEDES BENZ	S-Class (W221) (06-)	S 350 BlueTec	RL	04.2011		221 423 03 81	
		MERCEDES BENZ	S-Class (W221) (06-)	S 320 CDI 4-Matic	RL			221 423 03 81	
		MERCEDES BENZ	S-Class (W221) (06-)		RL	05.2006		221 423 03 81	



					OE numbers per ATE pn.		e.g. replaced pn. / miscellaneous
--	--	--	--	--	------------------------	--	-----------------------------------



SAH - Caliper rear

11.9426-9959.2	220801	MERCEDES BENZ	S-Class (W221) (06-)	S 350	RL			221 423 03 81	
		MERCEDES BENZ	S-Class (W221) (06-)		RL	12.2005		221 423 03 81	
		MERCEDES BENZ	S-Class (W221) (06-)	S 350 4-Matic	RL			221 423 03 81	
		MERCEDES BENZ	S-Class (W221) (06-)		RL	02.2007		221 423 03 81	
		MERCEDES BENZ	S-Class (W221) (06-)	S 420 CDI / S 450 CDI	RL	04.2006		221 423 03 81	
		MERCEDES BENZ	S-Class (W221) (06-)	S 400 Hybrid	RL	06.2009		221 423 03 81	
		MERCEDES BENZ	S-Class (W221) (06-)	S 500 4-Matic	RL	04.2006		221 423 03 81	
		MERCEDES BENZ	S-Class (W221) (06-)	S 500 CGI	RL	04.2011		221 423 03 81	
		MERCEDES BENZ	SL-Klasse (R230) (01-11)	SL 280	RL	11.2007	11.2011	221 423 03 81	
11.9407-7003.2	220835	SAAB	9-3 Cabriolet (YS3F) (03-12)	2,0 T	RL	08.2003		55 42 265 , 12800336 , 93172186	
		SAAB	9-3 Cabriolet (YS3F) (03-12)	2,0 t Vector	RL	08.2003		55 42 265 , 12800336 , 93172186	
		SAAB	9-3 Cabriolet (YS3F) (03-12)	2,0 Turbo Performance	RL	04.2004		55 42 265 , 12800336 , 93172186	
		SAAB	9-3 Limousine (YS3F) (03-12)		RL	04.2004		55 42 265 , 12800336 , 93172186	
		SAAB	9-3 Limousine (YS3F) (03-12)	2,0 t XWD	RL	01.2007		55 42 265 , 12800336 , 93172186	
		SAAB	9-3 Limousine (YS3F) (03-12)	2,0 t Vector	RL	09.2003		55 42 265 , 12800336 , 93172186	



					OE numbers per ATE pn.		e.g. replaced pn. / miscellaneous
--	--	--	--	--	------------------------	--	-----------------------------------



SAH - Caliper rear

11.9407-7003.2	220835	SAAB		9-3 Limousine (YS3F) (03-12)	2,0 t BioPower XWD	RL	09.2002		55 42 265 , 12800336 , 93172186	
		SAAB		9-3 Limousine (YS3F) (03-12)	2,0 t BioPower	RL	06.2007		55 42 265 , 12800336 , 93172186	
		SAAB		9-3 Limousine (YS3F) (03-12)		RL	01.2007		55 42 265 , 12800336 , 93172186	
		SAAB		9-3 Limousine (YS3F) (03-12)	2,2 TiD	RL	09.2002		55 42 265 , 12800336 , 93172186	
		SAAB		9-3 Limousine (YS3F) (03-12)	1,8 t BioPower	RL	01.2007		55 42 265 , 12800336 , 93172186	
		SAAB		9-3 Limousine (YS3F) (03-12)	2,0 t	RL	09.2002		55 42 265 , 12800336 , 93172186	
		SAAB		9-3 Limousine (YS3F) (03-12)	2,0 T Aero	RL	09.2002		55 42 265 , 12800336 , 93172186	
		SAAB		9-3 Limousine (YS3F) (03-12)	1,8 t	RL	09.2002		55 42 265 , 12800336 , 93172186	
		SAAB		9-3 SportCombi (05-12)	2,8 T Aero V6 XWD	RL	04.2008		55 42 265 , 12800336 , 93172186	
		SAAB		9-3 SportCombi (05-12)	2,8 T Aero	RL	07.2007		55 42 265 , 12800336 , 93172186	
		SAAB		9-3 SportCombi (05-12)	2,8 T	RL	07.2007		55 42 265 , 12800336 , 93172186	
		SAAB		9-3 SportCombi (05-12)		RL	03.2005		55 42 265 , 12800336 , 93172186	



					OE numbers per ATE pn.	 e.g. replaced pn. / miscellaneous
--	--	--	--	--	-------------------------------	--



SAH - Caliper rear

11.9407-7003.2	220835	SAAB	9-3 SportCombi (05-12)	2,0 T XWD	RL	07.2008	55 42 265 , 12800336 , 93172186
		SAAB	9-3 SportCombi (05-12)	2,8 Turbo V6	RL	03.2005	55 42 265 , 12800336 , 93172186
		SAAB	9-3 SportCombi (05-12)		RL	05.2008	55 42 265 , 12800336 , 93172186
		SAAB	9-3 SportCombi (05-12)	2,0 T	RL	03.2005	55 42 265 , 12800336 , 93172186
		SAAB	9-3 SportCombi (05-12)	2,0 T XWD	RL	03.2009	55 42 265 , 12800336 , 93172186
		OPEL	SIGNUM / Vauxhall Signum (03-08)	3,0 V6 CDTI	RL	05.2003	55 42 265 , 12800336 , 93172186
		OPEL	SIGNUM / Vauxhall Signum (03-08)	3,2 V6	RL	05.2003	55 42 265 , 12800336 , 93172186
		OPEL	SIGNUM / Vauxhall Signum (03-08)	2,2 DTI	RL	05.2003	55 42 265 , 12800336 , 93172186
		OPEL	SIGNUM / Vauxhall Signum (03-08)	2,2	RL	03.2003	55 42 265 , 12800336 , 93172186
		OPEL	SIGNUM / Vauxhall Signum (03-08)	2,0 Turbo	RL	05.2003	55 42 265 , 12800336 , 93172186
		OPEL	SIGNUM / Vauxhall Signum (03-08)	2,0 DTI	RL	05.2003	55 42 265 , 12800336 , 93172186
		OPEL	SIGNUM / Vauxhall Signum (03-08)	1,8	RL	05.2003	55 42 265 , 12800336 , 93172186



					OE numbers per ATE pn.		e.g. replaced pn. / miscellaneous
--	--	--	--	--	-------------------------------	--	--



SAH - Caliper rear

11.9407-7003.2	220835	OPEL		SIGNUM / Vauxhall Signum (03-08)	1,9 CDTI	RL	04.2004		55 42 265 , 12800336 , 93172186	
		OPEL		VECTRA C Caravan (F35) / Vau. MK II (03-08)	2,0 DTI 16V	RL	10.2003	10.2008	55 42 265 , 12800336 , 93172186	
		OPEL		VECTRA C Caravan (F35) / Vau. MK II (03-08)	1,8 16V	RL	10.2003	10.2008	55 42 265 , 12800336 , 93172186	
		OPEL		VECTRA C Caravan (F35) / Vau. MK II (03-08)	1,8	RL	01.2006	10.2008	55 42 265 , 12800336 , 93172186	
		OPEL		VECTRA C Caravan (F35) / Vau. MK II (03-08)	1,6 16V	RL	10.2003	10.2008	55 42 265 , 12800336 , 93172186	
		OPEL		VECTRA C Caravan (F35) / Vau. MK II (03-08)	3,2 V6	RL	10.2003	10.2008	55 42 265 , 12800336 , 93172186	
		OPEL		VECTRA C Caravan (F35) / Vau. MK II (03-08)	3,0 V6 CDTI	RL	10.2003	10.2008	55 42 265 , 12800336 , 93172186	
		OPEL		VECTRA C Caravan (F35) / Vau. MK II (03-08)		RL	08.2005	10.2008	55 42 265 , 12800336 , 93172186	
		OPEL		VECTRA C Caravan (F35) / Vau. MK II (03-08)	2,2 DTI 16V	RL	10.2003	10.2008	55 42 265 , 12800336 , 93172186	
		OPEL		VECTRA C Caravan (F35) / Vau. MK II (03-08)	2,2 direct	RL	10.2003	10.2008	55 42 265 , 12800336 , 93172186	
		OPEL		VECTRA C Caravan (F35) / Vau. MK II (03-08)	1,6	RL	06.2006	10.2008	55 42 265 , 12800336 , 93172186	
		OPEL		VECTRA C Caravan (F35) / Vau. MK II (03-08)	2,0 Turbo	RL	10.2003	10.2008	55 42 265 , 12800336 , 93172186	



					OE numbers per ATE pn.		e.g. replaced pn. / miscellaneous
--	--	--	--	--	------------------------	--	-----------------------------------



SAH - Caliper rear

11.9407-7003.2	220835	OPEL	VECTRA C Caravan (F35) / Vau. MK II (03-08)	1,9 CDTI	RL	10.2003	10.2008	55 42 265 , 12800336 , 93172186	
		OPEL	VECTRA C Caravan (F35) / Vau. MK II (03-08)	2,2 16V	RL	10.2003	10.2008	55 42 265 , 12800336 , 93172186	
		OPEL	VECTRA C Caravan (F35) / Vau. MK II (03-08)	1,9 CDTI	RL	04.2004	10.2008	55 42 265 , 12800336 , 93172186	
11.9387-7041.2	220865	CITROEN	C5 III Estate (X7) (08-)	2,2 HDi 200	RL	07.2010		4400 V5 , 4400 X9	
		CITROEN	C5 III Estate (X7) (08-)	1,8 16V	RL	02.2008		4400 V5 , 4400 X9	
		CITROEN	C5 III Estate (X7) (08-)	1,6 VTI 120	RL	07.2010		4400 V5 , 4400 X9	
		CITROEN	C5 III Estate (X7) (08-)	3,0 V6	RL	02.2008		4400 V5 , 4400 X9	
		CITROEN	C5 III Estate (X7) (08-)	3,0 HDi 240	RL	04.2009		4400 V5 , 4400 X9	
		CITROEN	C5 III Estate (X7) (08-)	3	RL	02.2008		4400 V5 , 4400 X9	
		CITROEN	C5 III Estate (X7) (08-)	2,7 HDi	RL	02.2008		4400 V5 , 4400 X9	
		CITROEN	C5 III Estate (X7) (08-)	2,0 16V	RL	02.2008		4400 V5 , 4400 X9	
		CITROEN	C5 III Estate (X7) (08-)	2,0 HDi	RL	02.2008		4400 V5 , 4400 X9	
		CITROEN	C5 III Estate (X7) (08-)	2,2 HDi	RL	02.2008		4400 V5 , 4400 X9	
		CITROEN	C5 III Estate (X7) (08-)	1,6 THP 155	RL	04.2009		4400 V5 , 4400 X9	
		CITROEN	C5 III Estate (X7) (08-)	1,6 HDi 115	RL	01.2012		4400 V5 , 4400 X9	
		CITROEN	C5 III Estate (X7) (08-)	1,6 HDi 110	RL	07.2010		4400 V5 , 4400 X9	
		CITROEN	C5 III Estate (X7) (08-)	1,6 HDi	RL	02.2008		4400 V5 , 4400 X9	



					OE numbers per ATE pn.		e.g. replaced pn. / miscellaneous
--	--	--	--	--	------------------------	--	-----------------------------------



SAH - Caliper rear

11.9387-7041.2	220865	CITROEN	C5 III Estate (X7) (08-)	2,0 HDi 140	RL	11.2008		4400 V5 , 4400 X9	
		CITROEN	C5 III Estate (X7) (08-)	2,0 HDi	RL	04.2009		4400 V5 , 4400 X9	
		CITROEN	C5 III Estate (X7) (08-)	2,0 16V BioFlex	RL	02.2008		4400 V5 , 4400 X9	
		CITROEN	C5 III Saloon (X7) (08-)	1,8 16V	RL	02.2008		4400 V5 , 4400 X9	
		CITROEN	C5 III Saloon (X7) (08-)	1,6 HDi 110	RL	07.2010		4400 V5 , 4400 X9	
		CITROEN	C5 III Saloon (X7) (08-)	2,2 HDi 200	RL	07.2010		4400 V5 , 4400 X9	
		CITROEN	C5 III Saloon (X7) (08-)	3,0 V6	RL	02.2008		4400 V5 , 4400 X9	
		CITROEN	C5 III Saloon (X7) (08-)	3,0 HDi 240	RL	04.2009		4400 V5 , 4400 X9	
		CITROEN	C5 III Saloon (X7) (08-)	1,6 THP 155	RL	04.2009		4400 V5 , 4400 X9	
		CITROEN	C5 III Saloon (X7) (08-)	2,7 HDi	RL	02.2008		4400 V5 , 4400 X9	
		CITROEN	C5 III Saloon (X7) (08-)	1,6 HDi 115	RL	01.2012		4400 V5 , 4400 X9	
		CITROEN	C5 III Saloon (X7) (08-)	2,2 HDi	RL	02.2008		4400 V5 , 4400 X9	
		CITROEN	C5 III Saloon (X7) (08-)	2,0 HDi 140	RL	11.2008		4400 V5 , 4400 X9	
		CITROEN	C5 III Saloon (X7) (08-)	2,0 HDi	RL	04.2009		4400 V5 , 4400 X9	
		CITROEN	C5 III Saloon (X7) (08-)		RL	02.2008		4400 V5 , 4400 X9	
		CITROEN	C5 III Saloon (X7) (08-)	1,6 HDi	RL	02.2008		4400 V5 , 4400 X9	
		CITROEN	C5 III Saloon (X7) (08-)	2,0 16V	RL	02.2008		4400 V5 , 4400 X9	
		CITROEN	C5 III Saloon (X7) (08-)	1,6 VTI 120	RL	07.2010		4400 V5 , 4400 X9	



					OE numbers per ATE pn.		e.g. replaced pn. / miscellaneous
--	--	--	--	--	------------------------	--	-----------------------------------



SAH - Caliper rear

11.9387-7041.2	220865	CITROEN	C5 III Saloon (X7) (08-)	2,0 16V BioFlex	RL	02.2008		4400 V5 , 4400 X9	
		CITROEN	C5 III Saloon (X7) (08-)	3	RL	02.2008		4400 V5 , 4400 X9	
11.9387-7042.2	220866	CITROEN	C5 III Estate (X7) (08-)	1,6 HDi	RR	02.2008		4400 V6 , 4400 Y0	
		CITROEN	C5 III Estate (X7) (08-)	2,2 HDi	RR	02.2008		4400 V6 , 4400 Y0	
		CITROEN	C5 III Estate (X7) (08-)	2,0 HDi 140	RR	11.2008		4400 V6 , 4400 Y0	
		CITROEN	C5 III Estate (X7) (08-)	2,0 HDi	RR	04.2009		4400 V6 , 4400 Y0	
		CITROEN	C5 III Estate (X7) (08-)		RR	02.2008		4400 V6 , 4400 Y0	
		CITROEN	C5 III Estate (X7) (08-)	2,0 16V BioFlex	RR	02.2008		4400 V6 , 4400 Y0	
		CITROEN	C5 III Estate (X7) (08-)	2,0 16V	RR	02.2008		4400 V6 , 4400 Y0	
		CITROEN	C5 III Estate (X7) (08-)	1,8 16V	RR	02.2008		4400 V6 , 4400 Y0	
		CITROEN	C5 III Estate (X7) (08-)	1,6 VTI 120	RR	07.2010		4400 V6 , 4400 Y0	
		CITROEN	C5 III Estate (X7) (08-)	1,6 THP 155	RR	04.2009		4400 V6 , 4400 Y0	
		CITROEN	C5 III Estate (X7) (08-)	1,6 HDi 110	RR	07.2010		4400 V6 , 4400 Y0	
		CITROEN	C5 III Estate (X7) (08-)	3,0 V6	RR	02.2008		4400 V6 , 4400 Y0	
		CITROEN	C5 III Estate (X7) (08-)	3,0 HDi 240	RR	04.2009		4400 V6 , 4400 Y0	
		CITROEN	C5 III Estate (X7) (08-)	3	RR	02.2008		4400 V6 , 4400 Y0	
		CITROEN	C5 III Estate (X7) (08-)	2,7 HDi	RR	02.2008		4400 V6 , 4400 Y0	
		CITROEN	C5 III Estate (X7) (08-)	2,2 HDi 200	RR	07.2010		4400 V6 , 4400 Y0	



					OE numbers per ATE pn.		e.g. replaced pn. / miscellaneous
--	--	--	--	--	------------------------	--	-----------------------------------



SAH - Caliper rear

11.9387-7042.2	220866	CITROEN	C5 III Estate (X7) (08-)	1,6 HDi 115	RR	01.2012		4400 V6 , 4400 Y0	
		CITROEN	C5 III Saloon (X7) (08-)	2,0 HDi	RR	02.2008		4400 V6 , 4400 Y0	
		CITROEN	C5 III Saloon (X7) (08-)	3	RR	02.2008		4400 V6 , 4400 Y0	
		CITROEN	C5 III Saloon (X7) (08-)	1,8 16V	RR	02.2008		4400 V6 , 4400 Y0	
		CITROEN	C5 III Saloon (X7) (08-)	3,0 V6	RR	02.2008		4400 V6 , 4400 Y0	
		CITROEN	C5 III Saloon (X7) (08-)	1,6 HDi 115	RR	01.2012		4400 V6 , 4400 Y0	
		CITROEN	C5 III Saloon (X7) (08-)	1,6 HDi 110	RR	07.2010		4400 V6 , 4400 Y0	
		CITROEN	C5 III Saloon (X7) (08-)	3,0 HDi 240	RR	04.2009		4400 V6 , 4400 Y0	
		CITROEN	C5 III Saloon (X7) (08-)	2,7 HDi	RR	02.2008		4400 V6 , 4400 Y0	
		CITROEN	C5 III Saloon (X7) (08-)	2,2 HDi 200	RR	07.2010		4400 V6 , 4400 Y0	
		CITROEN	C5 III Saloon (X7) (08-)	1,6 THP 155	RR	04.2009		4400 V6 , 4400 Y0	
		CITROEN	C5 III Saloon (X7) (08-)	2,2 HDi	RR	02.2008		4400 V6 , 4400 Y0	
		CITROEN	C5 III Saloon (X7) (08-)	2,0 HDi 140	RR	11.2008		4400 V6 , 4400 Y0	
		CITROEN	C5 III Saloon (X7) (08-)	1,6 HDi	RR	02.2008		4400 V6 , 4400 Y0	
		CITROEN	C5 III Saloon (X7) (08-)	2,0 16V BioFlex	RR	02.2008		4400 V6 , 4400 Y0	
		CITROEN	C5 III Saloon (X7) (08-)	2,0 16V	RR	02.2008		4400 V6 , 4400 Y0	
		CITROEN	C5 III Saloon (X7) (08-)	1,6 VTI 120	RR	07.2010		4400 V6 , 4400 Y0	
		CITROEN	C5 III Saloon (X7) (08-)	2,0 HDi	RR	04.2009		4400 V6 , 4400 Y0	



					OE numbers per ATE pn.	 e.g. replaced pn. / miscellaneous
---	---	---	---	---	-------------------------------	---



SAH - Caliper rear

11.9387-7027.2	220893	RENAULT	LAGUNA III Coupe (DT0/1) (07-)	2,0 dCi	RL	10.2007		44 01 100 06R	
		RENAULT	LAGUNA III Coupe (DT0/1) (07-)		RL	09.2008		44 01 100 06R	
		RENAULT	LAGUNA III Coupe (DT0/1) (07-)	3,5 V6	RL	09.2008		44 01 100 06R	
		RENAULT	LAGUNA III Coupe (DT0/1) (07-)	2,0 dCi GT	RL	03.2008		44 01 100 06R	
		RENAULT	LAGUNA III Coupe (DT0/1) (07-)	3,0 dCi	RL	09.2008		44 01 100 06R	
		RENAULT	LAGUNA III Coupe (DT0/1) (07-)	2,0 16V Turbo	RL	09.2008		44 01 100 06R	
		RENAULT	LAGUNA III Coupe (DT0/1) (07-)	2,0 16V Turbo GT	RL	03.2008		44 01 100 06R	
		RENAULT	LAGUNA III Grandtour (KT0/1) (07-)	2,0 dCi GT	RL	03.2008		44 01 100 06R	
		RENAULT	LAGUNA III Grandtour (KT0/1) (07-)	1,6 16V	RL	09.2007		44 01 100 06R	
		RENAULT	LAGUNA III Grandtour (KT0/1) (07-)	2,0 16V	RL	09.2007		44 01 100 06R	
		RENAULT	LAGUNA III Grandtour (KT0/1) (07-)	2,0 16V Hi-Flex	RL	09.2007		44 01 100 06R	
		RENAULT	LAGUNA III Grandtour (KT0/1) (07-)	2,0 16V Turbo	RL	09.2007		44 01 100 06R	
		RENAULT	LAGUNA III Grandtour (KT0/1) (07-)	2,0 16V Turbo GT	RL	03.2008		44 01 100 06R	
		RENAULT	LAGUNA III Grandtour (KT0/1) (07-)	2,0 dCi	RL	09.2007		44 01 100 06R	
		RENAULT	LAGUNA III Grandtour (KT0/1) (07-)	3,5 V6	RL	04.2008		44 01 100 06R	
		RENAULT	LAGUNA III Grandtour (KT0/1) (07-)	3,0 dCi V6	RL	09.2008		44 01 100 06R	
		RENAULT	LAGUNA III Grandtour (KT0/1) (07-)	1,5 dCi	RL	09.2007		44 01 100 06R	
		RENAULT	LAGUNA III Saloon (BT0/1) (07-)	2,0 16V Turbo GT	RL	03.2008		44 01 100 06R	



					<p>OE numbers per ATE pn.</p>	 <p>e.g. replaced pn. / miscellaneous</p>
---	---	---	---	---	-------------------------------	--



SAH - Caliper rear

11.9387-7027.2	220893	RENAULT	LAGUNA III Saloon (BT0/1) (07-)	3,0 dCi	RL	09.2008		44 01 100 06R	
		RENAULT	LAGUNA III Saloon (BT0/1) (07-)	2,0 16V Hi-Flex	RL	09.2007		44 01 100 06R	
		RENAULT	LAGUNA III Saloon (BT0/1) (07-)	3,5 V6	RL	04.2008		44 01 100 06R	
		RENAULT	LAGUNA III Saloon (BT0/1) (07-)	1,5 dCi	RL	09.2007		44 01 100 06R	
		RENAULT	LAGUNA III Saloon (BT0/1) (07-)	2,0 dCi GT	RL	03.2008		44 01 100 06R	
		RENAULT	LAGUNA III Saloon (BT0/1) (07-)	2,0 dCi	RL	09.2007		44 01 100 06R	
		RENAULT	LAGUNA III Saloon (BT0/1) (07-)		RL	01.2008		44 01 100 06R	
		RENAULT	LAGUNA III Saloon (BT0/1) (07-)	2,0 16V Turbo	RL	09.2007		44 01 100 06R	
		RENAULT	LAGUNA III Saloon (BT0/1) (07-)	2,0 16V	RL	09.2007		44 01 100 06R	
		RENAULT	LAGUNA III Saloon (BT0/1) (07-)	1,6 16V	RL	09.2007		44 01 100 06R	
11.9387-7028.2	220894	RENAULT	LAGUNA III Coupe (DT0/1) (07-)	2,0 dCi	RR	09.2008		44 00 100 14R	
		RENAULT	LAGUNA III Coupe (DT0/1) (07-)	2,0 16V Turbo GT	RR	03.2008		44 00 100 14R	
		RENAULT	LAGUNA III Coupe (DT0/1) (07-)	3,5 V6	RR	09.2008		44 00 100 14R	
		RENAULT	LAGUNA III Coupe (DT0/1) (07-)	3,0 dCi	RR	09.2008		44 00 100 14R	
		RENAULT	LAGUNA III Coupe (DT0/1) (07-)	2,0 dCi GT	RR	03.2008		44 00 100 14R	
		RENAULT	LAGUNA III Coupe (DT0/1) (07-)	2,0 dCi	RR	10.2007		44 00 100 14R	
		RENAULT	LAGUNA III Coupe (DT0/1) (07-)	2,0 16V Turbo	RR	09.2008		44 00 100 14R	
		RENAULT	LAGUNA III Grandtour (KT0/1) (07-)	2,0 dCi	RR	09.2007		44 00 100 14R	



					OE numbers per ATE pn.		e.g. replaced pn. / miscellaneous
--	--	--	--	--	------------------------	--	-----------------------------------



SAH - Caliper rear

11.9387-7028.2	220894	RENAULT	LAGUNA III Grandtour (KT0/1) (07-)	1,5 dCi	RR	09.2007		44 00 100 14R	
		RENAULT	LAGUNA III Grandtour (KT0/1) (07-)	1,6 16V	RR	09.2007		44 00 100 14R	
		RENAULT	LAGUNA III Grandtour (KT0/1) (07-)	2,0 16V	RR	09.2007		44 00 100 14R	
		RENAULT	LAGUNA III Grandtour (KT0/1) (07-)	2,0 16V Hi-Flex	RR	09.2007		44 00 100 14R	
		RENAULT	LAGUNA III Grandtour (KT0/1) (07-)	2,0 16V Turbo GT	RR	03.2008		44 00 100 14R	
		RENAULT	LAGUNA III Grandtour (KT0/1) (07-)	2,0 dCi GT	RR	03.2008		44 00 100 14R	
		RENAULT	LAGUNA III Grandtour (KT0/1) (07-)	3,5 V6	RR	04.2008		44 00 100 14R	
		RENAULT	LAGUNA III Grandtour (KT0/1) (07-)	3,0 dCi V6	RR	09.2008		44 00 100 14R	
		RENAULT	LAGUNA III Grandtour (KT0/1) (07-)	2,0 16V Turbo	RR	09.2007		44 00 100 14R	
		RENAULT	LAGUNA III Saloon (BT0/1) (07-)	2,0 16V Turbo GT	RR	03.2008		44 00 100 14R	
		RENAULT	LAGUNA III Saloon (BT0/1) (07-)	1,6 16V	RR	09.2007		44 00 100 14R	
		RENAULT	LAGUNA III Saloon (BT0/1) (07-)	2,0 16V Turbo	RR	09.2007		44 00 100 14R	
		RENAULT	LAGUNA III Saloon (BT0/1) (07-)	2,0 16V	RR	09.2007		44 00 100 14R	
		RENAULT	LAGUNA III Saloon (BT0/1) (07-)	2,0 16V Hi-Flex	RR	09.2007		44 00 100 14R	
		RENAULT	LAGUNA III Saloon (BT0/1) (07-)	3,5 V6	RR	04.2008		44 00 100 14R	
		RENAULT	LAGUNA III Saloon (BT0/1) (07-)	3,0 dCi	RR	09.2008		44 00 100 14R	
		RENAULT	LAGUNA III Saloon (BT0/1) (07-)	2,0 dCi GT	RR	03.2008		44 00 100 14R	
		RENAULT	LAGUNA III Saloon (BT0/1) (07-)	2,0 dCi	RR	01.2008		44 00 100 14R	



					OE numbers per ATE pn.		e.g. replaced pn. / miscellaneous
--	--	--	--	--	-------------------------------	--	--



SAH - Caliper rear

11.9387-7028.2	220894	RENAULT	LAGUNA III Saloon (BT0/1) (07-)	1,5 dCi	RR	09.2007		44 00 100 14R	
		RENAULT	LAGUNA III Saloon (BT0/1) (07-)	2,0 dCi	RR	09.2007		44 00 100 14R	
11.9426-9977.2	220897	BMW	5 series/E60 Saloon (03-10)	525 i	RA	07.2005	03.2007	34 21 6 758 057 , 34 21 6 758 058	
		BMW	5 series/E60 Saloon (03-10)	530 xd	RA	07.2005	03.2007	34 21 6 758 057 , 34 21 6 758 058	
		BMW	5 series/E60 Saloon (03-10)		RA	03.2007	02.2010	34 21 6 758 057 , 34 21 6 758 058	
		BMW	5 series/E60 Saloon (03-10)	530 i	RA	07.2005	03.2007	34 21 6 758 057 , 34 21 6 758 058	
		BMW	5 series/E60 Saloon (03-10)	530 xi	RA	07.2005	03.2007	34 21 6 758 057 , 34 21 6 758 058	
		BMW	5 series/E60 Saloon (03-10)	525 d	RA	03.2007	02.2010	34 21 6 758 057 , 34 21 6 758 058	
		BMW	5 series/E60 Saloon (03-10)	523 i	RA	07.2005	03.2007	34 21 6 758 057 , 34 21 6 758 058	
		BMW	5 series/E60 Saloon (03-10)	520 i	RA	07.2003	03.2005	34 21 6 758 057 , 34 21 6 758 058	
		BMW	5 series/E60 Saloon (03-10)	530 xi	RA	03.2007	02.2010	34 21 6 758 057 , 34 21 6 758 058	
		BMW	5 series/E60 Saloon (03-10)	520 d	RA	07.2005	02.2010	34 21 6 758 057 , 34 21 6 758 058	
		BMW	5 series/E60 Saloon (03-10)	523 i	RA	03.2007	02.2010	34 21 6 758 057 , 34 21 6 758 058	



					OE numbers per ATE pn.		e.g. replaced pn. / miscellaneous
--	--	--	--	--	-------------------------------	--	--



SAH - Caliper rear

11.9426-9977.2	220897	BMW		5 series/E60 Saloon (03-10)	525 i	RA	03.2007	02.2010	34 21 6 758 057 , 34 21 6 758 058	
		BMW		5 series/E60 Saloon (03-10)		RA	07.2003	06.2005	34 21 6 758 057 , 34 21 6 758 058	
		BMW		5 series/E60 Saloon (03-10)	525 d	RA	10.2003	03.2007	34 21 6 758 057 , 34 21 6 758 058	
		BMW		5 series/E60 Saloon (03-10)	530 i	RA	07.2003	03.2005	34 21 6 758 057 , 34 21 6 758 058	
		BMW		5 series/E60 Saloon (03-10)		RA	01.2007	02.2010	34 21 6 758 057 , 34 21 6 758 058	
		BMW		5 series/E60 Saloon (03-10)	530 d	RA	07.2003	08.2005	34 21 6 758 057 , 34 21 6 758 058	
		BMW		5 series/E60 Saloon (03-10)		RA	07.2003	03.2007	34 21 6 758 057 , 34 21 6 758 058	
		BMW		5 series/E60 Saloon (03-10)		RA	03.2007	02.2010	34 21 6 758 057 , 34 21 6 758 058	
		BMW		5 series/E60 Saloon (03-10)	525 xi	RA	07.2005	02.2010	34 21 6 758 057 , 34 21 6 758 058	
		BMW		5 series/E60 Saloon (03-10)	525 xd	RA	03.2007	02.2010	34 21 6 758 057 , 34 21 6 758 058	
		BMW		5 series/E60 Saloon (03-10)	520 d	RA	09.2007	02.2010	34 21 6 758 057 , 34 21 6 758 058	
		BMW		6er Reihe/E63 Coupe (04-11)	630 i	RA	07.2004	08.2007	34 21 6 758 057 , 34 21 6 758 058	



					OE numbers per ATE pn.		e.g. replaced pn. / miscellaneous
--	--	--	--	--	------------------------	--	-----------------------------------



SAH - Caliper rear

11.9426-9977.2	220897	BMW	6er Reihe/E64 Cabrio (04-11)	630 i	RA	07.2004	08.2007	34 21 6 758 057 , 34 21 6 758 058	
24.3426-9957.5	240565	BMW	5 series/E61 Touring (04-10)	530 i	RL	03.2007	05.2010	34 21 6 765 909	
		BMW	5 series/E61 Touring (04-10)	530 d	RL	05.2004	08.2005	34 21 6 765 909	
		BMW	5 series/E61 Touring (04-10)		RL	07.2005	03.2007	34 21 6 765 909	
		BMW	5 series/E61 Touring (04-10)	530 xd	RL	07.2005	03.2007	34 21 6 765 909	
		BMW	5 series/E61 Touring (04-10)		RL	03.2007	05.2010	34 21 6 765 909	
		BMW	5 series/E61 Touring (04-10)	530 xi	RL	07.2005	03.2007	34 21 6 765 909	
		BMW	5 series/E61 Touring (04-10)		RL	03.2007	05.2010	34 21 6 765 909	
		BMW	5 series/E61 Touring (04-10)	530 d	RL	03.2007	05.2010	34 21 6 765 909	
		BMW	5 series/E61 Touring (04-10)	520 i	RL	06.2004	05.2010	34 21 6 765 909	
		BMW	5 series/E61 Touring (04-10)	530 i	RL	07.2005	03.2007	34 21 6 765 909	
		BMW	5 series/E61 Touring (04-10)	520 d	RL	09.2007	05.2010	34 21 6 765 909	
		BMW	5 series/E61 Touring (04-10)	523 i	RL	07.2005	03.2007	34 21 6 765 909	
		BMW	5 series/E61 Touring (04-10)		RL	03.2007	05.2010	34 21 6 765 909	
		BMW	5 series/E61 Touring (04-10)	525 d	RL	05.2004	03.2007	34 21 6 765 909	
		BMW	5 series/E61 Touring (04-10)		RL	03.2007	05.2010	34 21 6 765 909	
		BMW	5 series/E61 Touring (04-10)	525 i	RL	05.2004	03.2005	34 21 6 765 909	
		BMW	5 series/E61 Touring (04-10)		RL	07.2005	03.2007	34 21 6 765 909	

New partnumbers on stock - according to ATE pn.

12/2012



					OE numbers per ATE pn.	 e.g. replaced pn. / miscellaneous
---	---	---	---	---	-------------------------------	---



SAH - Caliper rear

24.3426-9957.5	240565	BMW	5 series/E61 Touring (04-10)	525 i	RL	03.2007	05.2010	34 21 6 765 909	
		BMW	5 series/E61 Touring (04-10)	525 xd	RL	03.2007	05.2010	34 21 6 765 909	
		BMW	5 series/E61 Touring (04-10)	525 d	RL	12.2004	05.2010	34 21 6 765 909	
		BMW	5 series/E61 Touring (04-10)	520 d	RL	07.2005	05.2010	34 21 6 765 909	
		BMW	5 series/E61 Touring (04-10)	525 xi	RL	07.2005	05.2010	34 21 6 765 909	
24.3426-9958.5	240566	BMW	5 series/E61 Touring (04-10)	523 i	RR	03.2007	05.2010	34 21 6 765 910	
		BMW	5 series/E61 Touring (04-10)	525 xd	RR	03.2007	05.2010	34 21 6 765 910	
		BMW	5 series/E61 Touring (04-10)	525 i	RR	03.2007	05.2010	34 21 6 765 910	
		BMW	5 series/E61 Touring (04-10)		RR	07.2005	03.2007	34 21 6 765 910	
		BMW	5 series/E61 Touring (04-10)		RR	05.2004	03.2005	34 21 6 765 910	
		BMW	5 series/E61 Touring (04-10)	525 d	RR	12.2004	05.2010	34 21 6 765 910	
		BMW	5 series/E61 Touring (04-10)		RR	05.2004	03.2007	34 21 6 765 910	
		BMW	5 series/E61 Touring (04-10)	523 i	RR	07.2005	03.2007	34 21 6 765 910	
		BMW	5 series/E61 Touring (04-10)	525 xi	RR	07.2005	05.2010	34 21 6 765 910	
		BMW	5 series/E61 Touring (04-10)	530 xi	RR	07.2005	03.2007	34 21 6 765 910	
		BMW	5 series/E61 Touring (04-10)	525 d	RR	03.2007	05.2010	34 21 6 765 910	
		BMW	5 series/E61 Touring (04-10)	530 d	RR	07.2005	03.2007	34 21 6 765 910	
		BMW	5 series/E61 Touring (04-10)		RR	03.2007	05.2010	34 21 6 765 910	



					OE numbers per ATE pn.		e.g. replaced pn. / miscellaneous
--	--	--	--	--	------------------------	--	-----------------------------------



SAH - Caliper rear

24.3426-9958.5	240566	BMW	5 series/E61 Touring (04-10)	530 d	RR	05.2004	08.2005	34 21 6 765 910	
		BMW	5 series/E61 Touring (04-10)	530 i	RR	07.2005	03.2007	34 21 6 765 910	
		BMW	5 series/E61 Touring (04-10)		RR	03.2007	05.2010	34 21 6 765 910	
		BMW	5 series/E61 Touring (04-10)	530 xd	RR	03.2007	05.2010	34 21 6 765 910	
		BMW	5 series/E61 Touring (04-10)	520 i	RR	06.2004	05.2010	34 21 6 765 910	
		BMW	5 series/E61 Touring (04-10)	530 xi	RR	03.2007	05.2010	34 21 6 765 910	
		BMW	5 series/E61 Touring (04-10)	520 d	RR	09.2007	05.2010	34 21 6 765 910	
		BMW	5 series/E61 Touring (04-10)		RR	07.2005	05.2010	34 21 6 765 910	
		BMW	5 series/E61 Touring (04-10)	530 xd	RR	07.2005	03.2007	34 21 6 765 910	
24.3426-9977.5	240567	BMW	5 series/E60 Saloon (03-10)	525 xi	RA	07.2005	02.2010	34 21 6 758 057 , 34 21 6 758 058	24.3426-9978.5
		BMW	5 series/E60 Saloon (03-10)	530 xi	RA	07.2005	03.2007	34 21 6 758 057 , 34 21 6 758 058	24.3426-9978.5
		BMW	5 series/E60 Saloon (03-10)		RA	03.2007	02.2010	34 21 6 758 057 , 34 21 6 758 058	24.3426-9978.5
		BMW	5 series/E60 Saloon (03-10)	530 xd	RA	07.2005	03.2007	34 21 6 758 057 , 34 21 6 758 058	24.3426-9978.5
		BMW	5 series/E60 Saloon (03-10)		RA	03.2007	02.2010	34 21 6 758 057 , 34 21 6 758 058	24.3426-9978.5
		BMW	5 series/E60 Saloon (03-10)	530 i	RA	07.2005	03.2007	34 21 6 758 057 , 34 21 6 758 058	24.3426-9978.5



					OE numbers per ATE pn.		e.g. replaced pn. / miscellaneous
--	--	--	--	--	-------------------------------	--	--



SAH - Caliper rear

24.3426-9977.5	240567	BMW		5 series/E60 Saloon (03-10)	530 i	RA	07.2003	03.2005	34 21 6 758 057 , 34 21 6 758 058	24.3426-9978.5
		BMW		5 series/E60 Saloon (03-10)		RA	01.2007	02.2010	34 21 6 758 057 , 34 21 6 758 058	24.3426-9978.5
		BMW		5 series/E60 Saloon (03-10)	530 d	RA	07.2003	08.2005	34 21 6 758 057 , 34 21 6 758 058	24.3426-9978.5
		BMW		5 series/E60 Saloon (03-10)	525 i	RA	07.2003	06.2005	34 21 6 758 057 , 34 21 6 758 058	24.3426-9978.5
		BMW		5 series/E60 Saloon (03-10)	530 d	RA	03.2007	02.2010	34 21 6 758 057 , 34 21 6 758 058	24.3426-9978.5
		BMW		5 series/E60 Saloon (03-10)	520 d	RA	07.2005	02.2010	34 21 6 758 057 , 34 21 6 758 058	24.3426-9978.5
		BMW		5 series/E60 Saloon (03-10)	525 d	RA	10.2003	03.2007	34 21 6 758 057 , 34 21 6 758 058	24.3426-9978.5
		BMW		5 series/E60 Saloon (03-10)	525 xd	RA	03.2007	02.2010	34 21 6 758 057 , 34 21 6 758 058	24.3426-9978.5
		BMW		5 series/E60 Saloon (03-10)	525 i	RA	03.2007	02.2010	34 21 6 758 057 , 34 21 6 758 058	24.3426-9978.5
		BMW		5 series/E60 Saloon (03-10)	525 d	RA	03.2007	02.2010	34 21 6 758 057 , 34 21 6 758 058	24.3426-9978.5
		BMW		5 series/E60 Saloon (03-10)	523 i	RA	07.2005	03.2007	34 21 6 758 057 , 34 21 6 758 058	24.3426-9978.5
		BMW		5 series/E60 Saloon (03-10)		RA	03.2007	02.2010	34 21 6 758 057 , 34 21 6 758 058	24.3426-9978.5



					OE numbers per ATE pn.	 e.g. replaced pn. / miscellaneous
--	--	--	--	--	-------------------------------	---------------------------------------



SAH - Caliper rear

24.3426-9977.5	240567	BMW		5 series/E60 Saloon (03-10)	520 i	RA	07.2003	03.2005	34 21 6 758 057 , 34 21 6 758 058	24.3426-9978.5
		BMW		5 series/E60 Saloon (03-10)	520 d	RA	09.2007	02.2010	34 21 6 758 057 , 34 21 6 758 058	24.3426-9978.5
		BMW		5 series/E60 Saloon (03-10)	530 d	RA	07.2003	03.2007	34 21 6 758 057 , 34 21 6 758 058	24.3426-9978.5
		BMW		5 series/E60 Saloon (03-10)	525 i	RA	07.2005	03.2007	34 21 6 758 057 , 34 21 6 758 058	24.3426-9978.5
		BMW		6er Reihe/E63 Coupe (04-11)	630 i	RA	07.2004	08.2007	34 21 6 758 057 , 34 21 6 758 058	24.3426-9978.5
		BMW		6er Reihe/E64 Cabrio (04-11)		RA	07.2004	08.2007	34 21 6 758 057 , 34 21 6 758 058	24.3426-9978.5



SAV - Caliper front

11.9571-9753.2	220929	BMW		3 series/E90 Saloon (05-)	325 i	FL	12.2004		34 11 6 778 145	
		BMW		3 series/E90 Saloon (05-)	318 i	FL	03.2007	08.2007	34 11 6 778 145	
		BMW		3 series/E90 Saloon (05-)	320 d	FL	09.2005		34 11 6 778 145	
		BMW		3 series/E90 Saloon (05-)		FL	09.2007		34 11 6 778 145	
		BMW		3 series/E90 Saloon (05-)	320 i	FL	09.2007		34 11 6 778 145	
		BMW		3 series/E90 Saloon (05-)	320 xd	FL	09.2007		34 11 6 778 145	



					OE numbers per ATE pn.		e.g. replaced pn. / miscellaneous
--	--	--	--	--	------------------------	--	-----------------------------------



SAV - Caliper front

11.9571-9753.2	220929	BMW	3 series/E90 Saloon (05-)	325 xi	FL	01.2005		34 11 6 778 145	
		BMW	3 series/E90 Saloon (05-)	320 i	FL	03.2007	08.2007	34 11 6 778 145	
		BMW	3 series/E91 Touring (05-)	325 i	FL	01.2012		34 11 6 778 145	
		BMW	3 series/E91 Touring (05-)	325 xi	FL	03.2007	08.2007	34 11 6 778 145	
		BMW	3 series/E91 Touring (05-)	325 i	FL	03.2007		34 11 6 778 145	
		BMW	3 series/E91 Touring (05-)	320 xd	FL	09.2007		34 11 6 778 145	
		BMW	3 series/E91 Touring (05-)	320 i	FL	06.2005	08.2007	34 11 6 778 145	
		BMW	3 series/E91 Touring (05-)	318 d	FL	09.2007		34 11 6 778 145	
		BMW	3 series/E91 Touring (05-)	318 i	FL	09.2007		34 11 6 778 145	
		BMW	3 series/E91 Touring (05-)	320 i	FL	09.2007		34 11 6 778 145	
		BMW	3 series/E91 Touring (05-)	318 i	FL	03.2007	08.2007	34 11 6 778 145	
		BMW	3 series/E91 Touring (05-)	320 d	FL	09.2007		34 11 6 778 145	
		BMW	3 series/E91 Touring (05-)	318 i	FL	09.2007	02.2008	34 11 6 778 145	
		BMW	3 series/E92 Coupe (06-)	325 xi	FL	09.2007		34 11 6 778 145	
		BMW	3 series/E92 Coupe (06-)	325 i	FL	09.2007		34 11 6 778 145	
		BMW	3 series/E92 Coupe (06-)	320 d	FL	03.2007		34 11 6 778 145	
		BMW	3 series/E92 Coupe (06-)	320 xd	FL	03.2007		34 11 6 778 145	
		BMW	3 series/E93 Convertible (07-)	320 i	FL	03.2007	02.2008	34 11 6 778 145	



					OE numbers per ATE pn.		e.g. replaced pn. / miscellaneous
--	--	--	--	--	------------------------	--	-----------------------------------



SAV - Caliper front

11.9571-9753.2	220929	BMW	3 series/E93 Convertible (07-)	325 i	FL	03.2007		34 11 6 778 145	
		BMW	3 series/E93 Convertible (07-)	320 d	FL	03.2008		34 11 6 778 145	
		BMW	X1 (09-)	sDrive 16d	FL	07.2012		34 11 6 778 145	
		BMW	X1 (09-)	xDrive 20d	FL	10.2009		34 11 6 778 145	
		BMW	X1 (09-)	sDrive 18d	FL	10.2009		34 11 6 778 145	
		BMW	X1 (09-)	xDrive 20i	FL	09.2011		34 11 6 778 145	
		BMW	X1 (09-)	sDrive 20i	FL	09.2011		34 11 6 778 145	
		BMW	X1 (09-)	sDrive 20d ed	FL	09.2011		34 11 6 778 145	
		BMW	X1 (09-)	sDrive 18i	FL	03.2010		34 11 6 778 145	
		BMW	X1 (09-)	xDrive 25d	FL	07.2012		34 11 6 778 145	
		BMW	X1 (09-)	xDrive 18d	FL	10.2009		34 11 6 778 145	
		BMW	X1 (09-)	sDrive 20d	FL	10.2009		34 11 6 778 145	
11.9571-9754.2	220930	BMW	3 series/E90 Saloon (05-)	325 xi	FR	01.2005		34 11 6 778 146	
		BMW	3 series/E90 Saloon (05-)	325 i	FR	12.2004		34 11 6 778 146	
		BMW	3 series/E90 Saloon (05-)	320 i	FR	03.2007	08.2007	34 11 6 778 146	
		BMW	3 series/E90 Saloon (05-)		FR	09.2007		34 11 6 778 146	
		BMW	3 series/E90 Saloon (05-)	320 d	FR	09.2007		34 11 6 778 146	
		BMW	3 series/E90 Saloon (05-)	318 i	FR	03.2007	08.2007	34 11 6 778 146	



					OE numbers per ATE pn.		e.g. replaced pn. / miscellaneous
--	--	--	--	--	------------------------	--	-----------------------------------



SAV - Caliper front

11.9571-9754.2	220930	BMW	3 series/E90 Saloon (05-)	320 xd	FR	09.2007		34 11 6 778 146	
		BMW	3 series/E90 Saloon (05-)	320 d	FR	09.2005		34 11 6 778 146	
		BMW	3 series/E91 Touring (05-)	325 i	FR	03.2007		34 11 6 778 146	
		BMW	3 series/E91 Touring (05-)	318 i	FR	09.2007	02.2008	34 11 6 778 146	
		BMW	3 series/E91 Touring (05-)	325 i	FR	01.2012		34 11 6 778 146	
		BMW	3 series/E91 Touring (05-)	320 xd	FR	09.2007		34 11 6 778 146	
		BMW	3 series/E91 Touring (05-)	320 i	FR	06.2005	08.2007	34 11 6 778 146	
		BMW	3 series/E91 Touring (05-)		FR	09.2007		34 11 6 778 146	
		BMW	3 series/E91 Touring (05-)	320 d	FR	09.2007		34 11 6 778 146	
		BMW	3 series/E91 Touring (05-)	318 i	FR	03.2007	08.2007	34 11 6 778 146	
		BMW	3 series/E91 Touring (05-)		FR	09.2007		34 11 6 778 146	
		BMW	3 series/E91 Touring (05-)	318 d	FR	09.2007		34 11 6 778 146	
		BMW	3 series/E91 Touring (05-)	325 xi	FR	03.2007	08.2007	34 11 6 778 146	
		BMW	3 series/E92 Coupe (06-)		FR	09.2007		34 11 6 778 146	
		BMW	3 series/E92 Coupe (06-)	320 d	FR	03.2007		34 11 6 778 146	
		BMW	3 series/E92 Coupe (06-)	320 xd	FR	03.2007		34 11 6 778 146	
		BMW	3 series/E92 Coupe (06-)	325 i	FR	09.2007		34 11 6 778 146	
		BMW	3 series/E93 Convertible (07-)		FR	03.2007		34 11 6 778 146	

New partnumbers on stock - according to ATE pn.

12/2012



					OE numbers per ATE pn.		e.g. replaced pn. / miscellaneous
--	--	--	--	--	------------------------	--	-----------------------------------



SAV - Caliper front

11.9571-9754.2	220930	BMW	3 series/E93 Convertible (07-)	320 d	FR	03.2008		34 11 6 778 146	
		BMW	3 series/E93 Convertible (07-)	320 i	FR	03.2007	02.2008	34 11 6 778 146	
		BMW	X1 (09-)	xDrive 20d	FR	10.2009		34 11 6 778 146	
		BMW	X1 (09-)	xDrive 18d	FR	10.2009		34 11 6 778 146	
		BMW	X1 (09-)	sDrive 16d	FR	07.2012		34 11 6 778 146	
		BMW	X1 (09-)	sDrive 18d	FR	10.2009		34 11 6 778 146	
		BMW	X1 (09-)	sDrive 18i	FR	03.2010		34 11 6 778 146	
		BMW	X1 (09-)	sDrive 20d	FR	10.2009		34 11 6 778 146	
		BMW	X1 (09-)	sDrive 20i	FR	09.2011		34 11 6 778 146	
		BMW	X1 (09-)	xDrive 20i	FR	09.2011		34 11 6 778 146	
		BMW	X1 (09-)	xDrive 25d	FR	07.2012		34 11 6 778 146	
		BMW	X1 (09-)	sDrive 20d ed	FR	09.2011		34 11 6 778 146	
24.3606-9967.5	240571	BMW	5 series/E60 Saloon (03-10)	523 i	FL	03.2007	02.2010	34 11 6 763 023	
		BMW	5 series/E60 Saloon (03-10)		FL	07.2005	03.2007	34 11 6 763 023	
		BMW	5 series/E60 Saloon (03-10)	525 d	FL	10.2003	03.2007	34 11 6 763 023	
		BMW	5 series/E60 Saloon (03-10)	520 i	FL	07.2003	03.2005	34 11 6 763 023	
		BMW	5 series/E60 Saloon (03-10)	525 i	FL	07.2003	06.2005	34 11 6 763 023	
		BMW	5 series/E60 Saloon (03-10)	520 d	FL	07.2005	02.2010	34 11 6 763 023	

New partnumbers on stock - according to ATE pn.

12/2012



					OE numbers per ATE pn.		e.g. replaced pn. / miscellaneous
--	--	--	--	--	------------------------	--	-----------------------------------



SAV - Caliper front

24.3606-9967.5	240571	BMW	5 series/E60 Saloon (03-10)	525 i	FL	03.2007	02.2010	34 11 6 763 023	
		BMW	5 series/E61 Touring (04-10)		FL	05.2004	03.2005	34 11 6 763 023	
		BMW	5 series/E61 Touring (04-10)		FL	03.2007	05.2010	34 11 6 763 023	
		BMW	5 series/E61 Touring (04-10)	523 i	FL	07.2005	03.2007	34 11 6 763 023	
		BMW	5 series/E61 Touring (04-10)	525 d	FL	12.2004	05.2010	34 11 6 763 023	
		BMW	5 series/E61 Touring (04-10)	520 d	FL	07.2005	05.2010	34 11 6 763 023	
		BMW	5 series/E61 Touring (04-10)	520 i	FL	06.2004	05.2010	34 11 6 763 023	
		BMW	5 series/E61 Touring (04-10)	525 d	FL	05.2004	03.2007	34 11 6 763 023	
		BMW	5 series/E61 Touring (04-10)	523 i	FL	03.2007	05.2010	34 11 6 763 023	
24.3606-9978.5	240574	BMW	5 series/E60 Saloon (03-10)	550 i	FR	03.2007	02.2010	34 11 6 756 304	
		BMW	5 series/E60 Saloon (03-10)	545 i	FR	07.2003	08.2005	34 11 6 756 304	
		BMW	5 series/E60 Saloon (03-10)	540 i	FR	07.2005	03.2007	34 11 6 756 304	
		BMW	5 series/E60 Saloon (03-10)		FR	03.2007	02.2010	34 11 6 756 304	
		BMW	5 series/E60 Saloon (03-10)	525 d	FR	03.2007	02.2010	34 11 6 756 304	
		BMW	5 series/E60 Saloon (03-10)	530 i	FR	01.2007	02.2010	34 11 6 756 304	
		BMW	5 series/E60 Saloon (03-10)	530 d	FR	07.2003	08.2005	34 11 6 756 304	
		BMW	5 series/E60 Saloon (03-10)		FR	07.2003	03.2007	34 11 6 756 304	
		BMW	5 series/E60 Saloon (03-10)		FR	03.2007	02.2010	34 11 6 756 304	



					OE numbers per ATE pn.		e.g. replaced pn. / miscellaneous
--	--	--	--	--	------------------------	--	-----------------------------------



SAV - Caliper front

24.3606-9978.5	240574	BMW	5 series/E60 Saloon (03-10)	525 i	FR	03.2007	02.2010	34 11 6 756 304	
		BMW	5 series/E60 Saloon (03-10)	530 i	FR	07.2005	03.2007	34 11 6 756 304	
		BMW	5 series/E61 Touring (04-10)	550 i	FR	03.2007	05.2010	34 11 6 756 304	
		BMW	5 series/E61 Touring (04-10)	525 d	FR	03.2007	05.2010	34 11 6 756 304	
		BMW	5 series/E61 Touring (04-10)	530 d	FR	07.2005	03.2007	34 11 6 756 304	
		BMW	5 series/E61 Touring (04-10)		FR	03.2007	05.2010	34 11 6 756 304	
		BMW	5 series/E61 Touring (04-10)		FR	05.2004	08.2005	34 11 6 756 304	
		BMW	5 series/E61 Touring (04-10)	530 i	FR	03.2007	05.2010	34 11 6 756 304	
		BMW	5 series/E61 Touring (04-10)	545 i	FR	05.2004	08.2005	34 11 6 756 304	
		BMW	5 series/E61 Touring (04-10)	525 i	FR	03.2007	05.2010	34 11 6 756 304	
		BMW	6er Reihe/E63 Coupe (04-11)	645 Ci	FR	12.2003	08.2007	34 11 6 756 304	
		BMW	6er Reihe/E63 Coupe (04-11)	630 i	FR	09.2007	05.2011	34 11 6 756 304	
		BMW	6er Reihe/E64 Cabrio (04-11)		FR	09.2007	02.2011	34 11 6 756 304	
		BMW	6er Reihe/E64 Cabrio (04-11)	645 Ci	FR	04.2004	08.2007	34 11 6 756 304	
		BMW	7 series/E65-66 (02-08)	740 i,Li	FR	03.2005	08.2008	34 11 6 756 304	
		BMW	7 series/E65-66 (02-08)	760 Li	FR	03.2003	08.2008	34 11 6 756 304	
		BMW	7 series/E65-66 (02-08)	760 i	FR	03.2003	08.2008	34 11 6 756 304	
		BMW	7 series/E65-66 (02-08)	750 Li	FR	03.2005	08.2008	34 11 6 756 304	



					OE numbers per ATE pn.		e.g. replaced pn. / miscellaneous
--	--	--	--	--	------------------------	--	-----------------------------------



SAV - Caliper front

24.3606-9978.5	240574	BMW	7 series/E65-66 (02-08)	750 i	FR	03.2005	08.2008	34 11 6 756 304	
		BMW	7 series/E65-66 (02-08)	745 i	FR	11.2001	08.2008	34 11 6 756 304	
		BMW	7 series/E65-66 (02-08)	730 Ld	FR	03.2005	08.2008	34 11 6 756 304	
		BMW	7 series/E65-66 (02-08)	730 d	FR	03.2005	08.2008	34 11 6 756 304	
		BMW	7 series/E65-66 (02-08)	745 Li	FR	04.2002	08.2008	34 11 6 756 304	



SBH - Brake pads rear

13.0460-2759.2	602759	BMW	Z4 Roadster/E89 (09-)	sDrive 20i		09.2011		34 21 6 788 275	see drawing
		BMW	Z4 Roadster/E89 (09-)	sDrive 30i		01.2009	02.2010	34 21 6 788 275	see drawing
		BMW	Z4 Roadster/E89 (09-)			03.2010		34 21 6 788 275	see drawing
		BMW	Z4 Roadster/E89 (09-)	sDrive 28i		09.2011		34 21 6 788 275	see drawing
		BMW	Z4 Roadster/E89 (09-)	sDrive 23i		01.2009	02.2010	34 21 6 788 275	see drawing
		BMW	Z4 Roadster/E89 (09-)			03.2010		34 21 6 788 275	see drawing
13.0460-0135.2	610135	OPEL	ANTARA / Vauxhall Antara (06-)	2,4		12.2010			
		OPEL	ANTARA / Vauxhall Antara (06-)	3,0 4X4		12.2010			
		OPEL	ANTARA / Vauxhall Antara (06-)	2,0 CDTi 4x4		03.2007			
		OPEL	ANTARA / Vauxhall Antara (06-)			07.2006			
		OPEL	ANTARA / Vauxhall Antara (06-)	2,0 CDTi FWD		08.2006			



					OE numbers per ATE pn.	 e.g. replaced pn. / miscellaneous
--	--	--	--	--	-------------------------------	--



SBH - Brake pads rear

13.0460-0135.2	610135	OPEL	ANTARA / Vauxhall Antara (06-)	2,0 CDTI FWD	09.2008		
		OPEL	ANTARA / Vauxhall Antara (06-)	2,2 CDTi	12.2010		
		OPEL	ANTARA / Vauxhall Antara (06-)	2,2 CDTI 4x4	12.2010		
		OPEL	ANTARA / Vauxhall Antara (06-)	2,4	07.2006		
		OPEL	ANTARA / Vauxhall Antara (06-)	2,4 FWD	09.2008		
		OPEL	ANTARA / Vauxhall Antara (06-)	3,2 V6	07.2006		
		OPEL	ANTARA / Vauxhall Antara (06-)	2,4 4x4	12.2010		
		OPEL	ANTARA / Vauxhall Antara (06-)		01.2007		
		CHEVROLET	CAPTIVA (06-)	2,4 4WD	03.2011		
		CHEVROLET	CAPTIVA (06-)	2,2 VCDi	03.2011		
		CHEVROLET	CAPTIVA (06-)	2,2 VCDi 4WD	03.2011		
		CHEVROLET	CAPTIVA (06-)	2,4	03.2011		
		CHEVROLET	CAPTIVA (06-)	2,4 LPG	01.2007		
		CHEVROLET	CAPTIVA (06-)	2,0 4WD	06.2006		
		CHEVROLET	CAPTIVA (06-)	2,0 VCDi	09.2007		
		CHEVROLET	CAPTIVA (06-)	2,0 VCDi 4WD	10.2006		
		CHEVROLET	CAPTIVA (06-)	2,4 4WD	06.2006		
		CHEVROLET	CAPTIVA (06-)	2,4	12.2006		
		CHEVROLET	CAPTIVA (06-)	3,2 4WD	06.2006		
		CHEVROLET	CAPTIVA (06-)	2,0 VDCi 4WD	10.2006		



					OE numbers per ATE pn.		e.g. replaced pn. / miscellaneous
--	--	--	--	--	------------------------	--	-----------------------------------



SBH - Brake pads rear

13.0460-0135.2	610135	CHEVROLET	CAPTIVA (06-)	2,4		06.2006			
		CHEVROLET	CAPTIVA (06-)	2,0 VDCi		10.2006			
		CHEVROLET	CAPTIVA (06-)	2,4 LPG 4WD		01.2007			
		CHEVROLET	CAPTIVA (06-)	3,0 4WD		01.2010			
		CHEVROLET	CAPTIVA (06-)	2,4 4WD		12.2006			
		HYUNDAI	TERRACAN (01-07)	2,9 CRDi 4WD		11.2001	07.2003		
		HYUNDAI	TERRACAN (01-07)	2,9 CRDi		11.2001	07.2003		
		HYUNDAI	TERRACAN (01-07)	2,5 TDiC 4WD		06.2001	12.2007		
		HYUNDAI	TERRACAN (01-07)	2,9 CRDi 4WD		08.2003	12.2007		
		HYUNDAI	TERRACAN (01-07)	2,5 TDiC		06.2001	12.2007		
		HYUNDAI	TERRACAN (01-07)	3,5 i V6 4WD		12.2001	12.2007		
13.0460-0136.2	610136	TOYOTA	CELICA (99-05)	1,8 VVTi TS (ZZT231)		11.1999	09.2005		
		TOYOTA	CELICA (99-05)	1,8 VVTi (ZZT230)		11.1999	09.2005		
		TOYOTA	COROLLA (02-04)	2,0 D-4D (CDE120)		01.2002	05.2004		
		TOYOTA	COROLLA (02-04)	1,4 VVTi (ZZE120)		01.2002	05.2004		
		TOYOTA	COROLLA (02-04)	1,6 VVTi (ZZE121)		01.2002	05.2004		
		TOYOTA	COROLLA VERSO (02-04)	1,4 VVTi (ZZE120)		01.2002	05.2004		
		TOYOTA	COROLLA VERSO (02-04)	2,0 D-4D (CDE120)		01.2002	05.2004		
		TOYOTA	COROLLA VERSO (02-04)	1,8 VVTi (ZZE122)		01.2002	05.2004		
		TOYOTA	COROLLA VERSO (02-04)	1,6 VVTi (ZZE121)		01.2002	05.2004		



					OE numbers per ATE pn.		e.g. replaced pn. / miscellaneous
--	--	--	--	--	------------------------	--	-----------------------------------



SBH - Brake pads rear

13.0460-0136.2	610136	TOYOTA	PRIUS (00-03)	1,5 i 16V (NHW11)	05.2000	07.2003		
		TOYOTA	PRIUS (03-09)	1,5 VVTi (NHW20)	08.2003	03.2009		
		TOYOTA	YARIS (99-05)	1,5 VVTi Turbo Sport	04.2003	10.2004		
		TOYOTA	YARIS (99-05)	1,0 i 16V	03.1999	03.2003		
		TOYOTA	YARIS (99-05)		04.2003	08.2005		
		TOYOTA	YARIS (99-05)	1,3 i 16V	09.1999	10.2004		
		TOYOTA	YARIS (99-05)	1,4 D-4D	12.2001	08.2005		
		TOYOTA	YARIS (99-05)	1,5 VVTi Sport	01.2003	08.2005		
		TOYOTA	YARIS (99-05)	1,3 i 16V	04.2002	08.2005		
		TOYOTA	YARIS (99-05)	1,5 VVTi Sport	04.2001	03.2003		
		TOYOTA	YARIS VERSO (99-05)	1,3 i 16V	11.1999	03.2003		
		TOYOTA	YARIS VERSO (99-05)		01.2003	09.2005		
		TOYOTA	YARIS VERSO (99-05)	1,4 D-4D	12.2001	09.2005		
		TOYOTA	YARIS VERSO (99-05)	1,5 VVTi Sport	03.2000	03.2003		
		TOYOTA	YARIS VERSO (99-05)	1,5 VVTi	05.2003	09.2005		
13.0460-0137.2	610137	PEUGEOT	4007 (07-)	2,4 16V 4x4	07.2007			
		PEUGEOT	4007 (07-)	2	11.2010			
		PEUGEOT	4007 (07-)	2,0 4x4	11.2010			
		PEUGEOT	4007 (07-)	2,2 HDi 4x4	02.2007			
		CITROEN	C-CROSSER (07-)	2,2 HDi	02.2007			



					OE numbers per ATE pn.		e.g. replaced pn. / miscellaneous
--	--	--	--	--	------------------------	--	-----------------------------------



SBH - Brake pads rear

13.0460-0137.2	610137	CITROEN	C-CROSSER (07-)	2,4	08.2008		
		MITSUBISHI	GRANDIS (04-)	2,0 DI-D (NA8W)	02.2007		
		MITSUBISHI	GRANDIS (04-)		09.2005		
		MITSUBISHI	GRANDIS (04-)	2,4 16V (NA4W)	04.2004		
		MITSUBISHI	LANCER Evolution (CZ_A) (07-)	2,0 i 16V (CZ4A)	06.2009		
		MITSUBISHI	LANCER Sportback (CX_A) (08-)	2,0 16V Turbo (CX4A)	10.2008		
		MITSUBISHI	OUTLANDER II (06-)	3,0 V6 4x4	11.2006		
		MITSUBISHI	OUTLANDER II (06-)	2,0 DI-D	01.2007		
		MITSUBISHI	OUTLANDER II (06-)	2,2 DI-D 4x4	08.2007		
		MITSUBISHI	OUTLANDER II (06-)	2,2 DI-D	08.2007		
		MITSUBISHI	PAJERO (00-07)	2,5 TDiC (V64W)	04.2000	01.2007	
		MITSUBISHI	PAJERO (00-07)	3,2 DiD (V68W)	10.2001	08.2006	
		MITSUBISHI	PAJERO (00-07)		04.2000	09.2001	
		MITSUBISHI	PAJERO (00-07)	3,5 i V6 GDI (V65W)	04.2000	08.2006	
		MITSUBISHI	PAJERO (07-)	3,2 4x4 (V88W)	02.2007		
		MITSUBISHI	PAJERO (07-)	3,8 i V6 (V87W)	02.2010		
		MITSUBISHI	PAJERO (07-)		02.2007		
		MITSUBISHI	PAJERO (07-)	3,2 TD 4x4 (V88W)	01.2009		
		MITSUBISHI	PAJERO (07-)	3,2 DI-D (V88W)	02.2007		
13.0460-0144.2	610144	MERCEDES BENZ	A-Class (W168) (97-04)	A 210 Evolution	03.2002	08.2004	



					OE numbers per ATE pn.		e.g. replaced pn. / miscellaneous
--	--	--	--	--	------------------------	--	-----------------------------------



SBH - Brake pads rear

13.0460-0144.2	610144	MERCEDES BENZ	A-Class (W168) (97-04)	A 190	05.1999	08.2004		
		MERCEDES BENZ	A-Class (W168) (97-04)	A 170 CDI	02.2001	08.2004		
		MERCEDES BENZ	A-Class (W168) (97-04)	A 160	09.1997	08.2004		
		MERCEDES BENZ	A-Klasse (W169) (04-11)	E-Cell	12.2010	10.2011		
		MERCEDES BENZ	VANEO (BM414) (02-05)	1,4	06.2002	12.2005		
		MERCEDES BENZ	VANEO (BM414) (02-05)	1,9	02.2002	12.2005		
		MERCEDES BENZ	VANEO (BM414) (02-05)	1,6	02.2002	12.2005		
		MERCEDES BENZ	VANEO (BM414) (02-05)	1,7 CDI	02.2002	12.2005		
13.0470-2858.2	LD2858	OPEL	CORSA C / Vauxhall Corsa MK II (00-06)	1,4 16V	09.2000	09.2006	9200132 , 16 05 994 , 93178789 , 16 05 965	
		OPEL	CORSA C / Vauxhall Corsa MK II (00-06)	1,8 16V	09.2000	09.2006	9200132 , 16 05 994 , 93178789 , 16 05 965	
		OPEL	TIGRA TWIN TOP / Vau. Tigra Twin Top (04-09)	1,3 CDTI	06.2004	08.2009	9200132 , 16 05 994 , 93178789 , 16 05 965	
		OPEL	TIGRA TWIN TOP / Vau. Tigra Twin Top (04-09)	1,4	06.2004	08.2009	9200132 , 16 05 994 , 93178789 , 16 05 965	
		OPEL	TIGRA TWIN TOP / Vau. Tigra Twin Top (04-09)	1,8	06.2004	08.2009	9200132 , 16 05 994 , 93178789 , 16 05 965	



SBV - Brake pads front

13.0460-0134.2	610134	CHRYSLER	PT CRUISER (00-10)	2,2 CRD	08.2005	09.2010		
----------------	---------------	----------	--------------------	---------	---------	---------	--	--



					OE numbers per ATE pn.		e.g. replaced pn. / miscellaneous
--	--	--	--	--	------------------------	--	-----------------------------------



SBV - Brake pads front

13.0460-0134.2	610134	CHRYSLER	PT CRUISER (00-10)	2,4 GT Turbo	08.2003	09.2010		
		CHRYSLER	PT CRUISER (00-10)	2,4 16V	09.2004	09.2010		
		CHRYSLER	PT CRUISER (00-10)		03.2004	09.2010		
		CHRYSLER	PT CRUISER (00-10)	2,2 CRD	03.2002	09.2010		
		CHRYSLER	PT CRUISER (00-10)	2,0 16V	10.2004	09.2010		
		CHRYSLER	PT CRUISER (00-10)		06.2000	09.2010		
		CHRYSLER	PT CRUISER (00-10)	1,6 16V	11.2001	09.2010		
		CHRYSLER	PT CRUISER (00-10)	2,4 16V	06.2000	09.2010		
13.0460-0138.2	610138	TOYOTA	COROLLA (02-04)	1,4 VVTi (ZZE120)	02.2002	05.2004		
		TOYOTA	COROLLA (02-04)	1,6 VVTi (ZZE121)	08.2002	05.2004		
		TOYOTA	COROLLA (02-04)	1,8 VVTi TS (ZZE123)	01.2002	05.2004		
		TOYOTA	COROLLA (02-04)	2,0 D-4D (CDE120)	01.2002	05.2004		
		TOYOTA	COROLLA (02-04)		08.2002	05.2004		
		TOYOTA	COROLLA (02-04)		05.2003	05.2004		
		TOYOTA	COROLLA (04-06)	1,6 VVTi (ZZE121)	06.2004	10.2006		
		TOYOTA	COROLLA (04-06)	1,8 VVTi (ZZE123)	06.2004	10.2006		
		TOYOTA	COROLLA (04-06)	1,4 VVTi (ZZE120)	06.2004	10.2006		
		TOYOTA	COROLLA (04-06)	1,4 D-4D (NDE120)	06.2004	10.2006		
		TOYOTA	COROLLA (04-06)	2,0 D-4D (CDE120)	06.2004	10.2006		
13.0460-0139.2	610139	HYUNDAI	COUPE (02-)	2,0 i 16V	08.2001	06.2003		



					OE numbers per ATE pn.		e.g. replaced pn. / miscellaneous
--	--	--	--	--	------------------------	--	-----------------------------------



SBV - Brake pads front

13.0460-0139.2	610139	HYUNDAI	COUPE (02-)	2,0 i 16V		03.2002	08.2005		
		HYUNDAI	COUPE (02-)	1,6 i 16V		03.2002			
		HYUNDAI	COUPE (02-)	2,7 i V6		03.2002			
		HYUNDAI	COUPE (02-)	2,0 CCVT		02.2003			
		HYUNDAI	ELANTRA (06-)	2,0 CVVT		06.2006			
		HYUNDAI	ELANTRA (06-)	1,6 CRDi		06.2006			
		HYUNDAI	ELANTRA (06-)	1,6 i 16V		06.2006			
		KIA	MAGENTIS (01-05)	2,5 i V6		05.2001	10.2005		
		KIA	MAGENTIS (01-05)	2,0 i 16V		05.2001	10.2005		
		KIA	MAGENTIS (05-)	2,0 CRDi		04.2006			
		KIA	MAGENTIS (05-)	2,0 i 16V		07.2009			
		KIA	MAGENTIS (05-)			11.2005			
		KIA	MAGENTIS (05-)	2,7 i V6		07.2009			
		KIA	MAGENTIS (05-)			11.2005			
		KIA	MAGENTIS (05-)	2,0 CRDi		11.2005			
		HYUNDAI	SONATA (98-04)	2,7 i V6		10.2001	12.2004		
		HYUNDAI	SONATA (98-04)	2,0 i 16V		10.2001	12.2004		
		KIA	SOUL (09-)	1,6 i 16V		02.2009			
		KIA	SOUL (09-)	1,6 CVVT		02.2009			
		KIA	SOUL (09-)	1,6 CRDi		02.2009			



					OE numbers per ATE pn.	 e.g. replaced pn. / miscellaneous
---	---	---	---	---	------------------------	---



SBV - Brake pads front

13.0460-0139.2	610139	KIA	SPORTAGE (04-10)	2,0 CRDi	01.2006	05.2010		
		KIA	SPORTAGE (04-10)	2,7 i V6 4WD	09.2004	05.2010		
		KIA	SPORTAGE (04-10)	2,0 i 16V 4WD	09.2004	05.2010		
		KIA	SPORTAGE (04-10)	2,0 i 16V	09.2004	05.2010		
		KIA	SPORTAGE (04-10)	2,0 CRDi	09.2008	05.2010		
		KIA	SPORTAGE (04-10)		02.2005	05.2010		
		KIA	SPORTAGE (04-10)	2,0 CRDi 4WD	01.2006	05.2010		
		KIA	SPORTAGE (04-10)		09.2004	05.2010		
		KIA	SPORTAGE (04-10)		09.2008	05.2010		
		HYUNDAI	TUCSON (04-)	2,0 CRDi	01.2006			
		HYUNDAI	TUCSON (04-)	2,0 i 16V Allrad	08.2004			
		HYUNDAI	TUCSON (04-)	2,0 CRDi	08.2004			
		HYUNDAI	TUCSON (04-)	2,7 i 24V Allrad	08.2004			
		HYUNDAI	TUCSON (04-)	2,0 CRDi	01.2009			
		HYUNDAI	TUCSON (04-)	2,0 i 16V	08.2004			
		HYUNDAI	TUCSON (04-)	2,0 CRDi Allrad	08.2004			
		HYUNDAI	TUCSON (04-)		01.2009			
		HYUNDAI	TUCSON (04-)		01.2007			
		HYUNDAI	TUCSON (04-)		01.2006			
		HYUNDAI	TUCSON (04-)	2,0 CRDi	01.2007			



					OE numbers per ATE pn.		e.g. replaced pn. / miscellaneous
--	--	--	--	--	------------------------	--	-----------------------------------



SBV - Brake pads front

13.0460-0140.2	610140	CHEVROLET	EPICA (05-)	2,0 i 16V	01.2005	12.2006		
		DAEWOO	EVANDA (02-05)		08.2002	02.2005		
		CHEVROLET	EVANDA (05-)	2,5 i V6	03.2005			
		CHEVROLET	EVANDA (05-)	2,0 i 16V	03.2005			
		DAEWOO	LANOS (97-02)	1,6 i 16V		12.2002		
		DAEWOO	LEGANZA (97-02)	2,0 i 16V	06.1997	12.2002		
		DAEWOO	LEGANZA (97-02)		07.2000	12.2002		
		DAEWOO	LEGANZA (97-02)	2,2 i 16V	04.1999	12.2002		
		DAEWOO	MAGNUS (99-)	2	07.1999			
		CHEVROLET	NUBIRA (05-)	2,0 i 16V	01.2005			
		CHEVROLET	NUBIRA (05-)	2,0 TCDi	01.2005			
		CHEVROLET	NUBIRA (05-)	1,4 i 16V	01.2006			
		CHEVROLET	NUBIRA (05-)	1,6 i 16V	03.2005			
		CHEVROLET	NUBIRA (05-)	1,4 i 16V	01.2005			
		CHEVROLET	NUBIRA (05-)	1,8 i 16V	08.2005			
		CHEVROLET	NUBIRA (05-)		03.2005			
		DAEWOO	NUBIRA (97-99)	2,0 i 16V	06.1997	05.1999		
		DAEWOO	NUBIRA (97-99)	1,8 i 16V	04.1997	05.1999		
		DAEWOO	NUBIRA (97-99)	1,6 i 16V	06.1997	05.1999		
		DAEWOO	NUBIRA (99-05)		08.2003			



					OE numbers per ATE pn.		e.g. replaced pn. / miscellaneous
--	--	--	--	--	------------------------	--	-----------------------------------



SBV - Brake pads front

13.0460-0140.2	610140	DAEWOO	NUBIRA (99-05)	1,6 i 16V	06.1999		
		DAEWOO	NUBIRA (99-05)	1,4 i 16V	10.2003		
		DAEWOO	NUBIRA (99-05)	1,8 i 16V	08.2003		
		DAEWOO	NUBIRA (99-05)	1,6 i 16V	07.2000	02.2005	
		DAEWOO	NUBIRA (99-05)	2,0 i 16V	06.1999		
		DAEWOO	REZZO (00-05)	1,6 i 16V		02.2005	
		DAEWOO	REZZO (00-05)	1,8 i		02.2005	
		DAEWOO	REZZO (00-05)	2,0 i 16V		02.2005	
		CHEVROLET	REZZO (05-)	1,6 i 16V			
		CHEVROLET	REZZO (05-)	2,0 i 16V			
		DAEWOO	TACUMA (00-05)	1,6 i 16V		02.2005	
		DAEWOO	TACUMA (00-05)	1,8 i		02.2005	
		DAEWOO	TACUMA (00-05)	2,0 i 16V		02.2005	
13.0460-0146.2	610146	CITROEN	C2 (03-09)	1,4 i	09.2003	12.2009	
		CITROEN	C2 (03-09)	1,4 16V	06.2006	12.2009	
		CITROEN	C2 (03-09)	1,4 HDi	09.2003	12.2009	
		CITROEN	C2 (03-09)	1,1 i	09.2003	12.2009	
		CITROEN	C3 (02-09)	1,4 HDi	02.2002	08.2009	
		CITROEN	C3 (02-09)	1,1 i	02.2002	08.2009	
		CITROEN	C3 (02-09)	1,4 i	02.2002	08.2009	



					OE numbers per ATE pn.		e.g. replaced pn. / miscellaneous
--	--	--	--	--	------------------------	--	-----------------------------------



SBV - Brake pads front

13.0460-0146.2	610146	CITROEN	C3 (02-09)	1,4 bivalent		09.2005	08.2009		
13.0460-0148.2	610148	NISSAN	ALMERA (N16) (00-06)	1,5 i		10.2002	11.2006		
		NISSAN	ALMERA (N16) (00-06)	1,8 i		03.2000	03.2001		
		NISSAN	ALMERA (N16) (00-06)			02.2000	11.2006		
		NISSAN	ALMERA (N16) (00-06)	1,5 i		02.2000	11.2006		
		NISSAN	ALMERA (N16) (00-06)			03.2000	03.2001		
		NISSAN	ALMERA (N16) (00-06)	2,2 dCi		09.2003	11.2006		
		NISSAN	ALMERA (N16) (00-06)	2,2 Di		03.2000	03.2001		
		NISSAN	ALMERA (N16) (00-06)	1,5 dCi		01.2003	11.2006		
		NISSAN	ALMERA (N16) (00-06)	2,2 Di		02.2000	11.2006		
		NISSAN	ALMERA (N16) (00-06)	1,8 i		10.2002	11.2006		
		NISSAN	PRIMERA (P11E) Saloon (96-02)	1,6 i 16V		04.1998	02.2002		
		NISSAN	PRIMERA (P11E) Saloon (96-02)	2,0 i 16V		06.1996	02.2002		
		NISSAN	PRIMERA (P11E) Saloon (96-02)	2,0 TD		04.1998	02.2002		
		NISSAN	PRIMERA (P11E) Saloon (96-02)	2,0 i 16V		06.1999	02.2002		
		NISSAN	PRIMERA (P11E) Saloon (96-02)	1,8 i 16V		06.1999	02.2002		
		NISSAN	PRIMERA (P11E) Saloon (96-02)	2,0 i 16V		04.1998	02.2002		
		NISSAN	PRIMERA (W11) Estate (98-02)	2,0 TD		04.1998	02.2002		
		NISSAN	PRIMERA (W11) Estate (98-02)	2,0 i 16V		04.1998	06.1999		
		NISSAN	PRIMERA (W11) Estate (98-02)	1,8 i 16V		08.1999	02.2002		



					OE numbers per ATE pn.		e.g. replaced pn. / miscellaneous
--	--	--	--	--	------------------------	--	-----------------------------------



SBV - Brake pads front

13.0460-0148.2	610148	NISSAN	PRIMERA (W11) Estate (98-02)	1,6 i 16V	04.1998	02.2002		
13.0460-0149.2	610149	MAZDA	DEMIO (98-02)	1,3 i 16V	08.1998	03.2000		
		MAZDA	DEMIO (98-02)		08.1998	10.2002		
		MAZDA	DEMIO (98-02)	1,5 i 16V	04.2000	10.2002		
		KIA	RIO I (DC) (00-05)		08.2000	06.2002		
		KIA	RIO I (DC) (00-05)	1,3 i	08.2000	06.2002		
13.0460-0154.2	610154	LAND ROVER	DISCOVERY I (89-98)	2,5 TDI		10.1998		
		LAND ROVER	DISCOVERY I (89-98)	2,5 D 4x4		10.1998		
		LAND ROVER	DISCOVERY I (89-98)	3,5 V8		06.1994		
		LAND ROVER	DISCOVERY I (89-98)	3,9 V8		10.1998		
		LAND ROVER	DISCOVERY I (89-98)	2,0 16V		10.1998		
		LAND ROVER	DISCOVERY II (94-04)		01.1994	11.1998		
		Classic PKW	LAND ROVER DEFENDER (LD) (90-)	2,5 TDI	09.1990			
		Classic PKW	LAND ROVER DEFENDER (LD) (90-)	3,9 V8	11.1998			
		Classic PKW	LAND ROVER DEFENDER (LD) (90-)	2,5 TD5	06.1998			
		Classic PKW	LAND ROVER DEFENDER (LD) (90-)	2,5 D 4x4	09.1990	09.2001		
		Classic PKW	LAND ROVER RANGE ROVER I (70-94)	4,3 VOGUE LSE	09.1992	07.1994		
		Classic PKW	LAND ROVER RANGE ROVER I (70-94)	2,4 D		12.1990		
		Classic PKW	LAND ROVER RANGE ROVER I (70-94)	3,5		09.1990		
		Classic PKW	LAND ROVER RANGE ROVER I (70-94)	3,5 VOGUE		09.1990		



					OE numbers per ATE pn.		e.g. replaced pn. / miscellaneous
--	--	--	--	--	------------------------	--	-----------------------------------



SBV - Brake pads front

13.0460-0154.2	610154	Classic PKW	LAND ROVER RANGE ROVER I (70-94)	3,9 KAT		07.1994	
		Classic PKW	LAND ROVER RANGE ROVER I (70-94)	3,9 VOGUE		07.1994	



SCH - Brake disc rear

24.0110-0368.1	410368	HYUNDAI	ELANTRA (11-)	1,8 16V		02.2011	58411-3X300
		HYUNDAI	ELANTRA (11-)	1,6 16V		02.2011	58411-3X300
		HYUNDAI	VELOSTER (11-)			03.2011	58411-3X300
24.0111-0175.1	411175	BMW	1er Reihe/F20/F21 Limousine (11-)	114i		09.2012	34 21 6 792 225
		BMW	1er Reihe/F20/F21 Limousine (11-)	116 d		06.2011	34 21 6 792 225
		BMW	1er Reihe/F20/F21 Limousine (11-)	118 d		06.2011	34 21 6 792 225
		BMW	1er Reihe/F20/F21 Limousine (11-)	116 i		06.2011	34 21 6 792 225
		BMW	1er Reihe/F20/F21 Limousine (11-)	116 d ed		03.2012	34 21 6 792 225
		BMW	1er Reihe/F20/F21 Limousine (11-)	118 i		06.2011	34 21 6 792 225
24.0120-0207.1	420207	KIA	SORENTO (JC) (02-)	2,5 CRDi		05.2006	58411-3E500
		KIA	SORENTO (JC) (02-)			12.2006	58411-3E500
		KIA	SORENTO (JC) (02-)	3,3 i V6		12.2006	58411-3E500
		KIA	SORENTO (JC) (02-)	2,5 CRDi		09.2006	11.2006 58411-3E500



					OE numbers per ATE pn.		e.g. replaced pn. / miscellaneous
--	--	--	--	--	------------------------	--	-----------------------------------



SCH - Brake disc rear

24.0120-0207.1	420207	KIA	SORENTO (JC) (02-)	3,3 i V6	11.2007		58411-3E500	
24.0120-0237.1	420237	BMW	1er Reihe/F20/F21 Limousine (11-)	120 d	06.2011		34 21 6 792 227	
		BMW	1er Reihe/F20/F21 Limousine (11-)	120 d xDrive	07.2012		34 21 6 792 227	
		BMW	1er Reihe/F20/F21 Limousine (11-)	125 d	03.2012		34 21 6 792 227	
		BMW	1er Reihe/F20/F21 Limousine (11-)	125 i	03.2012		34 21 6 792 227	
		BMW	3er Reihe/F30 Limousine (12-)	316 i	11.2012		34 21 6 792 227	
		BMW	3er Reihe/F30 Limousine (12-)	320 i ed	11.2012		34 21 6 792 227	
		BMW	3er Reihe/F30 Limousine (12-)	320 i	02.2012		34 21 6 792 227	
		BMW	3er Reihe/F30 Limousine (12-)	320 d ed	02.2012		34 21 6 792 227	
		BMW	3er Reihe/F30 Limousine (12-)	318 d	02.2012		34 21 6 792 227	
		BMW	3er Reihe/F30 Limousine (12-)	316 d	02.2012		34 21 6 792 227	
		BMW	3er Reihe/F30 Limousine (12-)	320 d	02.2012		34 21 6 792 227	
		BMW	3er Reihe/F31 Touring (12-)	316 d	05.2012		34 21 6 792 227	
		BMW	3er Reihe/F31 Touring (12-)	318 d	05.2012		34 21 6 792 227	
		BMW	3er Reihe/F31 Touring (12-)	320 i	05.2012		34 21 6 792 227	
24.0124-0219.2	424219	BMW	X5 (07-)	M	09.2009		34 21 6 779 535	
		BMW	X6 (08-)	50 i	11.2008	10.2009	34 21 6 779 535	
		BMW	X6 (08-)	xDrive 50i	11.2008	10.2009	34 21 6 779 535	



					OE numbers per ATE pn.		e.g. replaced pn. / miscellaneous
--	--	--	--	--	------------------------	--	-----------------------------------



SCH - Brake disc rear

24.0124-0231.2	424231	BMW	1 series/E82 Coupe (07-)	3,0 M	RL	05.2011		34 21 2 283 387 , 34 21 2 283 803	
		BMW	3 series/E90 Saloon (05-)	M3	RL	12.2007		34 21 2 283 387 , 34 21 2 283 803	
		BMW	3 series/E92 Coupe (06-)		RL	03.2007		34 21 2 283 387 , 34 21 2 283 803	
		BMW	3 series/E93 Convertible (07-)		RL	03.2008		34 21 2 283 387 , 34 21 2 283 803	
24.0124-0232.2	424232	BMW	1 series/E82 Coupe (07-)	3,0 M	RR	05.2011		34 21 2 283 388 , 34 21 2 283 804	
		BMW	3 series/E90 Saloon (05-)	M3	RR	12.2007		34 21 2 283 388 , 34 21 2 283 804	
		BMW	3 series/E92 Coupe (06-)		RR	03.2007		34 21 2 283 388 , 34 21 2 283 804	
		BMW	3 series/E93 Convertible (07-)		RR	03.2008		34 21 2 283 388 , 34 21 2 283 804	



SCV - Brake disc front

24.0116-0130.1	416130	DAIHATSU	CUORE (07-)	1,0 DVVT (L276)		09.2007		43512-B1050-000 , 43512B1050	
		SUBARU	JUSTY (07-)	1,0 i 12V (AL276)		09.2007		43512-B1050-000 , 43512B1050	



					OE numbers per ATE pn.		e.g. replaced pn. / miscellaneous
--	--	--	--	--	------------------------	--	-----------------------------------



SCV - Brake disc front

24.0116-0130.1	416130	DAIHATSU	SIRION (05-)	1,0 DVVT 4WD		04.2005		43512-B1050-000 , 43512B1050	
		DAIHATSU	SIRION (05-)	1,0 DVVT		01.2005		43512-B1050-000 , 43512B1050	
		DAIHATSU	TREVIS (06-)	1,0 i 12V (L651)		06.2006		43512-B1050-000 , 43512B1050	
24.0122-0276.1	422276	SUBARU	TREZIA (11-)	1,4 D		03.2011		43512-12710 , 4351212710	
		SUBARU	TREZIA (11-)	1,3 16V		03.2011		43512-12710 , 4351212710	
		TOYOTA	URBAN CRUISER (09-)	1,33 16V		04.2010		43512-12710 , 4351212710	
		TOYOTA	URBAN CRUISER (09-)			04.2009		43512-12710 , 4351212710	
		TOYOTA	URBAN CRUISER (09-)	1,4 D-4D		04.2009		43512-12710 , 4351212710	
		TOYOTA	URBAN CRUISER (09-)	1,4 D-4D 4x4		04.2009		43512-12710 , 4351212710	
		TOYOTA	VERSO S (10-)	1,33		11.2010		43512-12710 , 4351212710	
		TOYOTA	VERSO S (10-)	1,4 D4-D		11.2010		43512-12710 , 4351212710	
24.0126-0161.1	426161	RENAULT	MASCOTT (99-04)	140,55		01.1999	06.2004	50 10 260 603	
		RENAULT	MASCOTT (99-04)	110,6		01.1999	06.2004	50 10 260 603	
		RENAULT	MASCOTT (99-04)	140,65		01.1999	06.2004	50 10 260 603	
		RENAULT	MASCOTT (99-04)	150,55		01.1999	06.2004	50 10 260 603	
		RENAULT	MASCOTT (99-04)	150,65		01.1999	06.2004	50 10 260 603	
		RENAULT	MASCOTT (99-04)	130,55		01.1999	06.2004	50 10 260 603	



					OE numbers per ATE pn.		e.g. replaced pn. / miscellaneous
--	--	--	--	--	------------------------	--	-----------------------------------



SCV - Brake disc front

24.0126-0161.1	426161	RENAULT	MASCOTT (99-04)	110,55		01.1999	06.2004	50 10 260 603	
		RENAULT	MASCOTT (99-04)	130,65		01.1999	06.2004	50 10 260 603	
24.0128-0246.1	428246	PORSCHE	911 CONVERTIBLE (997) (05-)	3,6 Carrera 4	FR	06.2008		997 351 402 00	
		PORSCHE	911 CONVERTIBLE (997) (05-)	3,6 Carrera	FR	06.2008		997 351 402 00	
		PORSCHE	911 COUPE (997) (04-)	3,6 Carrera	FR	06.2008		997 351 402 00	
		PORSCHE	911 COUPE (997) (04-)	3,6 Carrera 4	FR	06.2008		997 351 402 00	
		PORSCHE	911 TARGA (997) (06-)		FR	11.2006		997 351 402 00	
		PORSCHE	911 TARGA (997) (06-)	3,8 Carrera 4S	FR	11.2006		997 351 402 00	
		PORSCHE	911 TARGA (997) (06-)	3,6 TARGA 4	FR	06.2008		997 351 402 00	
24.0128-0247.1	428247	PORSCHE	911 CONVERTIBLE (997) (05-)	3,6 Carrera	FL	06.2008		997 351 401 00	
		PORSCHE	911 CONVERTIBLE (997) (05-)	3,6 Carrera 4	FL	06.2008		997 351 401 00	
		PORSCHE	911 COUPE (997) (04-)	3,6 Carrera	FL	06.2008		997 351 401 00	
		PORSCHE	911 COUPE (997) (04-)	3,6 Carrera 4	FL	06.2008		997 351 401 00	
		PORSCHE	911 TARGA (997) (06-)	3,8 Carrera 4S	FL	11.2006		997 351 401 00	
		PORSCHE	911 TARGA (997) (06-)	3,6 TARGA 4	FL	06.2008		997 351 401 00	
		PORSCHE	911 TARGA (997) (06-)	3,6 Carrera 4	FL	11.2006		997 351 401 00	
24.0128-0252.1	428252	RENAULT	MASTER IV Kasten (FV/JV) (10-)	2,3 dCi FWD		02.2010		82 00 688 880 , 93197403 , 44 19 359	



					OE numbers per ATE pn.		e.g. replaced pn. / miscellaneous
--	--	--	--	--	-------------------------------	--	--



SCV - Brake disc front

24.0128-0252.1	428252	RENAULT	MASTER IV Kasten (FV/JV) (10-)	2,3 dCi	02.2010	82 00 688 880 , 93197403 , 44 19 359	
		RENAULT	MASTER IV Pritsche/Fahrgestell (EV/UV) (10-)		02.2010	82 00 688 880 , 93197403 , 44 19 359	
		RENAULT	MASTER IV Pritsche/Fahrgestell (EV/UV) (10-)	2,3 dCi FWD	02.2010	82 00 688 880 , 93197403 , 44 19 359	
		OPEL	MOVANO B (10-)	2,3 CDTI RWD	02.2010	82 00 688 880 , 93197403 , 44 19 359	
		OPEL	MOVANO B (10-)		05.2010	82 00 688 880 , 93197403 , 44 19 359	
		OPEL	MOVANO B (10-)	2,3 CDTI FWD	02.2010	82 00 688 880 , 93197403 , 44 19 359	
		OPEL	MOVANO B (10-)		05.2010	82 00 688 880 , 93197403 , 44 19 359	
24.0128-0258.1	428258	HYUNDAI	i40 (11-)	1,6 16V	10.2011	51712-2T100	
		HYUNDAI	i40 (11-)	1,7 CRDi	10.2011	51712-2T100	
		HYUNDAI	i40 (11-)	2,0 16V	10.2011	51712-2T100	
		HYUNDAI	i40 CW Kombi (11-)	1,6 16V	06.2011	51712-2T100	
		HYUNDAI	i40 CW Kombi (11-)	2,0 16V	06.2011	51712-2T100	
		HYUNDAI	i40 CW Kombi (11-)	1,7 CRDi	06.2011	51712-2T100	
24.0130-0204.1	430204	SUBARU	LECACY (09-)	3,6 V6 4x4	09.2009	26300AG000 , 26300AG001	
		SUBARU	LECACY (09-)	2,5 Turbo 4x4	09.2009	26300AG000 , 26300AG001	



					OE numbers per ATE pn.		e.g. replaced pn. / miscellaneous
--	--	--	--	--	------------------------	--	-----------------------------------



SCV - Brake disc front

24.0130-0204.1	430204	SUBARU	LEGACY (03-09)	2,0 Turbo R AWD	06.2005	04.2009	26300AG000 , 26300AG001	
		SUBARU	LEGACY (03-09)	3,0 V6	09.2003	06.2009	26300AG000 , 26300AG001	
		SUBARU	LEGACY (03-09)	2,0 R	09.2007	04.2009	26300AG000 , 26300AG001	
		SUBARU	LEGACY (03-09)	2,0 Turbo HP AWD	06.2005	04.2009	26300AG000 , 26300AG001	
		SUBARU	OUTBACK (03-09)	2,5 16V 4x4	11.2003	04.2009	26300AG000 , 26300AG001	
		SUBARU	OUTBACK (03-09)	3,0 V6 4x4	11.2003	06.2009	26300AG000 , 26300AG001	
		SUBARU	OUTBACK (09-)	3,6 R 4x4	09.2009		26300AG000 , 26300AG001	
24.0130-0216.2	430216	BMW	Z4 Roadster/E89 (09-)	sDrive 35is	09.2010		34 11 6 782 593	
		BMW	Z4 Roadster/E89 (09-)	sDrive 35i	01.2009		34 11 6 782 593	
24.0130-0219.1	430219	AUDI	TT Coupe (06-)	TTS 2,0 TFSI	05.2008		8J0 615 301 G	
		AUDI	TT Roadster (07-)		05.2008		8J0 615 301 G	
24.0130-0220.1	430220	SEAT	ALHAMBRA II (10-)	2,0 TDI	04.2011		1K0 615 301 AJ	
		SEAT	ALHAMBRA II (10-)		09.2010		1K0 615 301 AJ	
		SEAT	ALHAMBRA II (10-)	2,0 TDI 4motion	04.2011		1K0 615 301 AJ	
		SEAT	ALHAMBRA II (10-)	1,4 TSI	09.2010		1K0 615 301 AJ	
		SEAT	ALHAMBRA II (10-)	2,0 TSI	09.2010		1K0 615 301 AJ	
		VOLKSWAGEN	SHARAN II (10-)	2,0 TDI	07.2010		1K0 615 301 AJ	
		VOLKSWAGEN	SHARAN II (10-)	2,0 TSI	10.2010		1K0 615 301 AJ	



					OE numbers per ATE pn.		e.g. replaced pn. / miscellaneous
--	--	--	--	--	------------------------	--	-----------------------------------



SCV - Brake disc front

24.0130-0220.1	430220	VOLKSWAGEN	SHARAN II (10-)	2,0 TDI 4motion		05.2011		1K0 615 301 AJ	
		VOLKSWAGEN	SHARAN II (10-)	1,4 TSI		07.2010		1K0 615 301 AJ	
24.0132-0172.1	432172	HONDA	ACCORD (08-)	2,0 VTEC (CU1)		07.2008		45251-TL0-G50 , 45251-TL0-G51	
		HONDA	ACCORD (08-)	2,4 VTEC (CU2)		07.2008		45251-TL0-G50 , 45251-TL0-G51	
24.0136-0112.2	436112	BMW	X5 (07-)	xDrive M50d	FR	06.2012		34 11 6 782 068	
		BMW	X5 (07-)	xDrive 50i	FR	03.2010		34 11 6 782 068	
		BMW	X6 (08-)	ActiveHybrid	FR	10.2010		34 11 6 782 068	
		BMW	X6 (08-)	50 i	FR	05.2008		34 11 6 782 068	
		BMW	X6 (08-)	xDrive M50d	FR	06.2012		34 11 6 782 068	
		BMW	X6 (08-)	xDrive 50i	FR	09.2008		34 11 6 782 068	
24.0136-0113.2	436113	BMW	X5 (07-)	xDrive M50d	FL	06.2012		34 11 6 782 067	
		BMW	X5 (07-)	xDrive 50i	FL	03.2010		34 11 6 782 067	
		BMW	X6 (08-)		FL	09.2008		34 11 6 782 067	
		BMW	X6 (08-)	xDrive M50d	FL	06.2012		34 11 6 782 067	
		BMW	X6 (08-)	ActiveHybrid	FL	10.2010		34 11 6 782 067	
		BMW	X6 (08-)	50 i	FL	05.2008		34 11 6 782 067	
24.0136-0118.2	436118	BMW	5er Reihe/F07GT GRAN TURISMO (09-)	550i xDrive	FR	09.2010		34 11 6 785 676	



					OE numbers per ATE pn.		e.g. replaced pn. / miscellaneous
--	--	--	--	--	------------------------	--	-----------------------------------



SCV - Brake disc front

24.0136-0118.2	436118	BMW	5er Reihe/F10 Limousine (10-)	550 i	FR	03.2010		34 11 6 785 676	
		BMW	5er Reihe/F10 Limousine (10-)	550 i xDrive	FR	09.2010		34 11 6 785 676	
		BMW	5er Reihe/F10 Limousine (10-)	M550 d xDrive	FR	03.2012		34 11 6 785 676	
		BMW	5er Reihe/F11 Touring (10-)	550 i	FR	09.2011		34 11 6 785 676	
		BMW	5er Reihe/F11 Touring (10-)	M550 d xDrive	FR	03.2012		34 11 6 785 676	
		BMW	6er Reihe/F06 Gran Coupe (12-)	xDrive 650 i 4,4	FR	09.2012		34 11 6 785 676	
		BMW	6er Reihe/F06 Gran Coupe (12-)	640 d	FR	03.2012		34 11 6 785 676	
		BMW	6er Reihe/F06 Gran Coupe (12-)	640 i	FR	03.2012		34 11 6 785 676	
		BMW	6er Reihe/F06 Gran Coupe (12-)	650 i	FR	03.2012		34 11 6 785 676	
		BMW	6er Reihe/F06 Gran Coupe (12-)		FR	09.2012		34 11 6 785 676	
		BMW	6er Reihe/F06 Gran Coupe (12-)	xDrive 650 i 4,0	FR	03.2012		34 11 6 785 676	
		BMW	6er Reihe/F12 Cabrio (11-)	650 i 4,4	FR	10.2011		34 11 6 785 676	
		BMW	6er Reihe/F12 Cabrio (11-)	650 i	FR	03.2011		34 11 6 785 676	
		BMW	6er Reihe/F12 Cabrio (11-)	xDrive 650 i 4,4	FR	09.2012		34 11 6 785 676	
		BMW	6er Reihe/F12 Cabrio (11-)	xDrive 650 i 4,0	FR	06.2011		34 11 6 785 676	
		BMW	6er Reihe/F13 Coupe (11-)		FR	06.2011		34 11 6 785 676	
		BMW	6er Reihe/F13 Coupe (11-)	xDrive 650 i 4,4	FR	09.2012		34 11 6 785 676	
		BMW	6er Reihe/F13 Coupe (11-)	650 i	FR	09.2012		34 11 6 785 676	



					OE numbers per ATE pn.		e.g. replaced pn. / miscellaneous
--	--	--	--	--	------------------------	--	-----------------------------------



SCV - Brake disc front

24.0136-0118.2	436118	BMW	6er Reihe/F13 Coupe (11-)	650 i	FR	06.2011		34 11 6 785 676	
		BMW	7er Reihe/F01/F02/F03/F04 (08-)	750 i xDrive	FR	09.2009		34 11 6 785 676	
		BMW	7er Reihe/F01/F02/F03/F04 (08-)	750 i	FR	09.2008		34 11 6 785 676	
		BMW	7er Reihe/F01/F02/F03/F04 (08-)		FR	06.2012		34 11 6 785 676	
		BMW	7er Reihe/F01/F02/F03/F04 (08-)	ActiveHybrid 7	FR	03.2010		34 11 6 785 676	
		BMW	7er Reihe/F01/F02/F03/F04 (08-)	740 i	FR	09.2008		34 11 6 785 676	
24.0136-0119.2	436119	BMW	5er Reihe/F07GT GRAN TURISMO (09-)	550i xDrive	FL	09.2010		34 11 6 785 675	
		BMW	5er Reihe/F10 Limousine (10-)	M550 d xDrive	FL	03.2012		34 11 6 785 675	
		BMW	5er Reihe/F10 Limousine (10-)	550 i	FL	03.2010		34 11 6 785 675	
		BMW	5er Reihe/F10 Limousine (10-)	550 i xDrive	FL	09.2010		34 11 6 785 675	
		BMW	5er Reihe/F11 Touring (10-)	M550 d xDrive	FL	03.2012		34 11 6 785 675	
		BMW	5er Reihe/F11 Touring (10-)	550 i	FL	09.2011		34 11 6 785 675	
		BMW	6er Reihe/F06 Gran Coupe (12-)	640 i	FL	03.2012		34 11 6 785 675	
		BMW	6er Reihe/F06 Gran Coupe (12-)	xDrive 650 i 4,0	FL	03.2012		34 11 6 785 675	
		BMW	6er Reihe/F06 Gran Coupe (12-)	650 i	FL	03.2012		34 11 6 785 675	
		BMW	6er Reihe/F06 Gran Coupe (12-)	xDrive 650 i 4,4	FL	09.2012		34 11 6 785 675	
		BMW	6er Reihe/F06 Gran Coupe (12-)	640 d	FL	03.2012		34 11 6 785 675	
		BMW	6er Reihe/F06 Gran Coupe (12-)	650 i	FL	09.2012		34 11 6 785 675	



					OE numbers per ATE pn.		e.g. replaced pn. / miscellaneous
--	--	--	--	--	------------------------	--	-----------------------------------



SCV - Brake disc front

24.0136-0119.2	436119	BMW	6er Reihe/F12 Cabrio (11-)	xDrive 650 i 4,4	FL	09.2012		34 11 6 785 675	
		BMW	6er Reihe/F12 Cabrio (11-)	xDrive 650 i 4,0	FL	06.2011		34 11 6 785 675	
		BMW	6er Reihe/F12 Cabrio (11-)	650 i 4,4	FL	10.2011		34 11 6 785 675	
		BMW	6er Reihe/F12 Cabrio (11-)	650 i	FL	03.2011		34 11 6 785 675	
		BMW	6er Reihe/F13 Coupe (11-)	xDrive 650 i 4,4	FL	09.2012		34 11 6 785 675	
		BMW	6er Reihe/F13 Coupe (11-)	650 i	FL	06.2011		34 11 6 785 675	
		BMW	6er Reihe/F13 Coupe (11-)		FL	09.2012		34 11 6 785 675	
		BMW	6er Reihe/F13 Coupe (11-)	xDrive 650 i 4,0	FL	06.2011		34 11 6 785 675	
		BMW	7er Reihe/F01/F02/F03/F04 (08-)	ActiveHybrid 7	FL	03.2010		34 11 6 785 675	
		BMW	7er Reihe/F01/F02/F03/F04 (08-)	750 i	FL	09.2008		34 11 6 785 675	
		BMW	7er Reihe/F01/F02/F03/F04 (08-)	750 i xDrive	FL	09.2009		34 11 6 785 675	
		BMW	7er Reihe/F01/F02/F03/F04 (08-)	740 i	FL	09.2008		34 11 6 785 675	
		BMW	7er Reihe/F01/F02/F03/F04 (08-)	750 i	FL	06.2012		34 11 6 785 675	



SEH - Wheel sensor rear

24.0711-6349.3	360333	MERCEDES BENZ	CL-Class (C216) Coupe (06-)	CL 600	RA	07.2006		221 540 01 17 , 221 905 60 00 , 221 905 04 01	24.0711-6173.3
----------------	---------------	---------------	-----------------------------	--------	----	---------	--	---	----------------



					OE numbers per ATE pn.	 e.g. replaced pn. / miscellaneous
--	--	--	--	--	-------------------------------	--



SEH - Wheel sensor rear

24.0711-6349.3	360333	MERCEDES BENZ	CL-Class (C216) Coupe (06-)	CL 500 4-Matic	RA	03.2008		221 540 01 17 , 221 905 60 00 , 221 905 04 01	24.0711-6173.3
		MERCEDES BENZ	CL-Class (C216) Coupe (06-)	CL 65 AMG	RA	01.2007		221 540 01 17 , 221 905 60 00 , 221 905 04 01	24.0711-6173.3
		MERCEDES BENZ	CL-Class (C216) Coupe (06-)	CL 63 AMG	RA	01.2007		221 540 01 17 , 221 905 60 00 , 221 905 04 01	24.0711-6173.3
		MERCEDES BENZ	CL-Class (C216) Coupe (06-)	CL 500	RA	07.2006		221 540 01 17 , 221 905 60 00 , 221 905 04 01	24.0711-6173.3
		MERCEDES BENZ	S-Class (W221) (06-)	S 500	RA	12.2005		221 540 01 17 , 221 905 60 00 , 221 905 04 01	24.0711-6173.3
		MERCEDES BENZ	S-Class (W221) (06-)	S 65 AMG	RA	04.2006		221 540 01 17 , 221 905 60 00 , 221 905 04 01	24.0711-6173.3
		MERCEDES BENZ	S-Class (W221) (06-)	S 320 CDI / S 350 CDI	RA	12.2005		221 540 01 17 , 221 905 60 00 , 221 905 04 01	24.0711-6173.3
		MERCEDES BENZ	S-Class (W221) (06-)	S 280 / S 300	RA	04.2006		221 540 01 17 , 221 905 60 00 , 221 905 04 01	24.0711-6173.3
		MERCEDES BENZ	S-Class (W221) (06-)	S 600	RA	12.2005		221 540 01 17 , 221 905 60 00 , 221 905 04 01	24.0711-6173.3
		MERCEDES BENZ	S-Class (W221) (06-)	S 63 AMG	RA	01.2007		221 540 01 17 , 221 905 60 00 , 221 905 04 01	24.0711-6173.3
		MERCEDES BENZ	S-Class (W221) (06-)	S 500 4-Matic	RA	04.2006		221 540 01 17 , 221 905 60 00 , 221 905 04 01	24.0711-6173.3
		MERCEDES BENZ	S-Class (W221) (06-)	S 320 CDI 4-Matic	RA	05.2006		221 540 01 17 , 221 905 60 00 , 221 905 04 01	24.0711-6173.3



					OE numbers per ATE pn.		e.g. replaced pn. / miscellaneous
--	--	--	--	--	-------------------------------	--	--



SEH - Wheel sensor rear

24.0711-6349.3	360333	MERCEDES BENZ	S-Class (W221) (06-)	S 350	RA	12.2005		221 540 01 17 , 221 905 60 00 , 221 905 04 01	24.0711-6173.3
		MERCEDES BENZ	S-Class (W221) (06-)	S 350 4-Matic	RA	02.2007		221 540 01 17 , 221 905 60 00 , 221 905 04 01	24.0711-6173.3
		MERCEDES BENZ	S-Class (W221) (06-)	S 420 CDI / S 450 CDI	RA	04.2006		221 540 01 17 , 221 905 60 00 , 221 905 04 01	24.0711-6173.3
		MERCEDES BENZ	S-Class (W221) (06-)	S 450	RA	04.2006		221 540 01 17 , 221 905 60 00 , 221 905 04 01	24.0711-6173.3
		MERCEDES BENZ	S-Class (W221) (06-)	S 450 4-Matic	RA	04.2006		221 540 01 17 , 221 905 60 00 , 221 905 04 01	24.0711-6173.3



TRH - Brake drums rear

24.0220-0706.2	480215	KIA	RIO I (DC) (00-05)	1,3 i		08.2000	06.2002	0K30A-26-251A , 0K30C-26-250A , 0K30A-26-250A	
		KIA	RIO I (DC) (00-05)	1,5 i 16V		08.2000	06.2002	0K30A-26-251A , 0K30C-26-250A , 0K30A-26-250A	
24.0220-3726.2	480216	FORD	FIESTA V (02-08)	1,25 i 16V		03.2003	08.2008	1151001 , 2S61-1113-AH , 1213352 , 1315740	
		FORD	FIESTA V (02-08)			05.2002	08.2008	1151001 , 2S61-1113-AH , 1213352 , 1315740	
		FORD	FIESTA V (02-08)	1,3 i		04.2002	08.2008	1151001 , 2S61-1113-AH , 1213352 , 1315740	



					OE numbers per ATE pn.		e.g. replaced pn. / miscellaneous
--	--	--	--	--	-------------------------------	--	--



TRH - Brake drums rear

24.0220-3726.2	480216	FORD	FIESTA V (02-08)	1,4 i 16V	04.2002	08.2008	1151001 , 2S61-1113-AH , 1213352 , 1315740
		FORD	FIESTA V (02-08)	1,4 TDCi	04.2002	08.2008	1151001 , 2S61-1113-AH , 1213352 , 1315740
		FORD	FIESTA V (02-08)	1,6 i 16V	04.2002	08.2008	1151001 , 2S61-1113-AH , 1213352 , 1315740
		FORD	FIESTA V (02-08)	1,6 TDCi	10.2004	08.2008	1151001 , 2S61-1113-AH , 1213352 , 1315740
		FORD	FUSION (02-12)	1,25 i 16V	08.2004	09.2012	1151001 , 2S61-1113-AH , 1213352 , 1315740
		FORD	FUSION (02-12)	1,4 i 16V	07.2002	09.2012	1151001 , 2S61-1113-AH , 1213352 , 1315740
		FORD	FUSION (02-12)	1,6 i 16V	07.2002	09.2012	1151001 , 2S61-1113-AH , 1213352 , 1315740
		FORD	FUSION (02-12)	1,6 TDCi	10.2004	09.2012	1151001 , 2S61-1113-AH , 1213352 , 1315740
		FORD	FUSION (02-12)	1,4 TDCi	07.2002	09.2012	1151001 , 2S61-1113-AH , 1213352 , 1315740
24.0220-3729.2	480217	PEUGEOT	1007 (05-11)	1,4 HDi	04.2005	02.2011	4247 46 , 4247 49
		PEUGEOT	1007 (05-11)	1,4 16V	10.2005	02.2011	4247 46 , 4247 49
		PEUGEOT	1007 (05-11)	1,4	04.2005	02.2011	4247 46 , 4247 49
		PEUGEOT	206 Saloon (98-09)			02.2009	4247 46 , 4247 49
		PEUGEOT	206 Saloon (98-09)	1,4 HDi		02.2009	4247 46 , 4247 49



					OE numbers per ATE pn.		e.g. replaced pn. / miscellaneous
---	---	---	---	---	------------------------	---	-----------------------------------



TRH - Brake drums rear

24.0220-3729.2	480217	PEUGEOT	206 Saloon (98-09)	1,1		02.2009	4247 46 , 4247 49	
		PEUGEOT	206 Saloon (98-09)	1,4HDI eco 70		09.2008	4247 46 , 4247 49	
		PEUGEOT	206 PLUS (09-)	1,4 i		09.2010	4247 46 , 4247 49	
		PEUGEOT	206 PLUS (09-)			01.2009	4247 46 , 4247 49	
		PEUGEOT	206 PLUS (09-)	1,4 HDi eco 70		01.2009	4247 46 , 4247 49	
		PEUGEOT	206 PLUS (09-)	1,1		01.2009	4247 46 , 4247 49	
		PEUGEOT	206 SW (02-07)	2,0 HDi		05.2007	4247 46 , 4247 49	
		PEUGEOT	206 SW (02-07)	1,4 HDi		05.2007	4247 46 , 4247 49	
		PEUGEOT	206 SW (02-07)	1,4		05.2007	4247 46 , 4247 49	
		PEUGEOT	206 SW (02-07)	1,1		05.2007	4247 46 , 4247 49	
		CITROEN	C2 (03-09)	1,4 i		09.2003	12.2009	4247 46 , 4247 49
		CITROEN	C2 (03-09)	1,4 HDi		09.2003	12.2009	4247 46 , 4247 49
		CITROEN	C2 (03-09)	1,4 16V		06.2006	12.2009	4247 46 , 4247 49
		CITROEN	C2 (03-09)	1,1 i		09.2003	12.2009	4247 46 , 4247 49
		CITROEN	C3 (02-09)	1,4 i		02.2002	08.2009	4247 46 , 4247 49
		CITROEN	C3 (02-09)	1,4 16V		12.2003	08.2009	4247 46 , 4247 49
		CITROEN	C3 (02-09)	1,1 i		02.2002	08.2009	4247 46 , 4247 49
		CITROEN	C3 (02-09)	1,4 16V HDi 90		02.2002	08.2009	4247 46 , 4247 49



					OE numbers per ATE pn.		e.g. replaced pn. / miscellaneous
--	--	--	--	--	------------------------	--	-----------------------------------



TRH - Brake drums rear

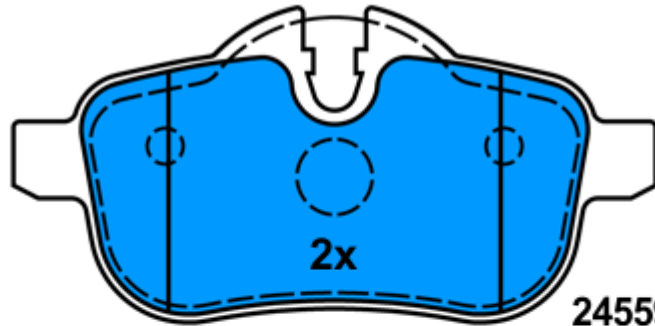
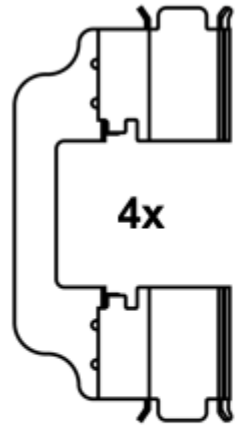
24.0220-3729.2	480217	CITROEN	C3 (02-09)	1,4 bivalent	09.2005	08.2009	4247 46 , 4247 49	
		CITROEN	C3 (02-09)	1,6 16V HDi 90	10.2005	08.2009	4247 46 , 4247 49	
		CITROEN	C3 (02-09)	1,4 HDi	02.2002	08.2009	4247 46 , 4247 49	
		CITROEN	C3 Pluriel (03-10)	1,4 Hybrid	05.2005	07.2010	4247 46 , 4247 49	
		CITROEN	C3 Pluriel (03-10)	1,4 HDi	04.2004	07.2010	4247 46 , 4247 49	
		CITROEN	C3 Pluriel (03-10)	1,4 i	05.2003	07.2010	4247 46 , 4247 49	
24.0225-4020.1	480310	LAND ROVER	FREELANDER (LN) (98-06)	2,0 TD4		10.2006	SDC000010	
		LAND ROVER	FREELANDER (LN) (98-06)	2,5 V6		10.2006	SDC000010	
		LAND ROVER	FREELANDER (LN) (98-06)	1,8 i 16V		10.2006	SDC000010	
24.0229-5004.1	480312	TOYOTA	4-RUNNER (88-96)	2,4 TD (LN130)	08.1988	03.1996	42431-35180	
		TOYOTA	4-RUNNER (88-96)	3,0 (VZN130)	08.1988	11.1995	42431-35180	
		TOYOTA	HILUX (88-97)	2,4 i 4WD (RN106/110)	08.1988	07.1997	42431-35180	
		TOYOTA	HILUX (88-97)	2,4 D 4WD (LN85/90)	01.1994	07.1997	42431-35180	
		TOYOTA	HILUX (88-97)	2,0 4WD (YN110)	08.1988	07.1997	42431-35180	
		TOYOTA	HILUX (97-05)	2,4 TD 4WD	08.1997	01.2002	42431-35180	
		TOYOTA	HILUX (97-05)	2,5 D-4D 4WD	11.2001	07.2005	42431-35180	
		TOYOTA	HILUX (97-05)	2,4 i 4WD	08.1997	07.2001	42431-35180	



13.0460-2759.2 602759

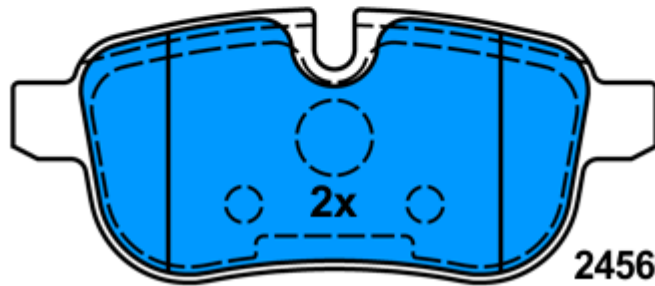
Applications:

BMW Z4 Roadster/E89 (09-)



106,0 x 52,3

24559 17,8



106,0 x 45,1

24560 17,8



M8x21