



New partnumbers on stock

according to ATE pn.

02/2016





| | | | | | | | |
|--|--|--|--|--|------------------------|--|-----------------------------------|
| | | | | | OE numbers per ATE pn. | | e.g. replaced pn. / miscellaneous |
|--|--|--|--|--|------------------------|--|-----------------------------------|



BSH - Brake hose rear

| | | | | | | | | |
|----------------|---------------|-------------|----------------------|-----------|---------|---------|-----------------------------------|----------------|
| 24.5310-0270.3 | 331369 | Classic PKW | SAAB 90 (84-87) | 2 | 08.1984 | 07.1987 | 8931784 | 83.6308-0270.3 |
| | | Classic PKW | SAAB 900 (79-93) | 2,0 C | 09.1985 | 12.1988 | 8931784 | 83.6308-0270.3 |
| | | Classic PKW | SAAB 900 (79-93) | 2,0 i | 11.1980 | 08.1985 | 8931784 | 83.6308-0270.3 |
| | | Classic PKW | SAAB 900 (79-93) | 2,0 16V | 01.1989 | 08.1989 | 8931784 | 83.6308-0270.3 |
| | | Classic PKW | SAAB 900 (79-93) | 2,0 C | 09.1979 | 08.1985 | 8931784 | 83.6308-0270.3 |
| | | Classic PKW | SAAB 900 (79-93) | 2,0 EMS | 11.1978 | 12.1980 | 8931784 | 83.6308-0270.3 |
| | | Classic PKW | SAAB 900 (79-93) | 2,1 16V | 09.1990 | 12.1991 | 8931784 | 83.6308-0270.3 |
| | | Classic PKW | SAAB 900 (79-93) | 2,0 Turbo | 09.1989 | 08.1993 | 8931784 | 83.6308-0270.3 |
| | | Classic PKW | SAAB 900 (79-93) | | 09.1985 | 08.1989 | 8931784 | 83.6308-0270.3 |
| | | Classic PKW | SAAB 900 (79-93) | | 10.1980 | 08.1985 | 8931784 | 83.6308-0270.3 |
| | | Classic PKW | SAAB 900 (79-93) | 2,0 i | 09.1989 | 08.1990 | 8931784 | 83.6308-0270.3 |
| | | Classic PKW | SAAB 900 (79-93) | | 09.1985 | 08.1989 | 8931784 | 83.6308-0270.3 |
| | | Classic PKW | SAAB 900 (79-93) | 2,0 16V | 09.1989 | 08.1993 | 8931784 | 83.6308-0270.3 |
| | | Classic PKW | SAAB 99 (74-84) | 2 | 01.1975 | 08.1984 | 8931784 | 83.6308-0270.3 |
| 24.5113-0283.3 | 331395 | BMW | 7 series/E38 (93-01) | 735 iL | 01.1996 | 11.2001 | 34 30 1 162 471 , 34 30 1 163 080 | 83.6124-0275.3 |
| | | BMW | 7 series/E38 (93-01) | 725 tds | 05.1996 | 11.2001 | 34 30 1 162 471 , 34 30 1 163 080 | 83.6124-0275.3 |
| | | BMW | 7 series/E38 (93-01) | 728 i | 07.1995 | 11.2001 | 34 30 1 162 471 , 34 30 1 163 080 | 83.6124-0275.3 |
| | | BMW | 7 series/E38 (93-01) | 728 iL | 01.1996 | 11.2001 | 34 30 1 162 471 , 34 30 1 163 080 | 83.6124-0275.3 |



| | | | | | | | |
|--|--|--|--|--|-------------------------------|--|--|
| | | | | | OE numbers per ATE pn. | | e.g. replaced pn. / miscellaneous |
|--|--|--|--|--|-------------------------------|--|--|



BSH - Brake hose rear

| | | | | | | | | | |
|----------------|---------------|------|-------------------------|----------|----|---------|---------|---|----------------|
| 24.5113-0283.3 | 331395 | BMW | 7 series/E38 (93-01) | 730 d | | 09.1998 | 11.2001 | 34 30 1 162 471 , 34 30 1 163 080 | 83.6124-0275.3 |
| | | BMW | 7 series/E38 (93-01) | 730 i | | 07.1993 | 11.2001 | 34 30 1 162 471 , 34 30 1 163 080 | 83.6124-0275.3 |
| | | BMW | 7 series/E38 (93-01) | 740 d | | 05.1999 | 11.2001 | 34 30 1 162 471 , 34 30 1 163 080 | 83.6124-0275.3 |
| | | BMW | 7 series/E38 (93-01) | 740 i | | 07.1993 | 11.2001 | 34 30 1 162 471 , 34 30 1 163 080 | 83.6124-0275.3 |
| | | BMW | 7 series/E38 (93-01) | 740 iL | | 05.1994 | 11.2001 | 34 30 1 162 471 , 34 30 1 163 080 | 83.6124-0275.3 |
| | | BMW | 7 series/E38 (93-01) | 750 i | | 11.1993 | 11.2001 | 34 30 1 162 471 , 34 30 1 163 080 | 83.6124-0275.3 |
| | | BMW | 7 series/E38 (93-01) | 750 iL | | 01.1994 | 11.2001 | 34 30 1 162 471 , 34 30 1 163 080 | 83.6124-0275.3 |
| | | BMW | 7 series/E38 (93-01) | 735 i | | 01.1996 | 11.2001 | 34 30 1 162 471 , 34 30 1 163 080 | 83.6124-0275.3 |
| | | BMW | 7 series/E38 (93-01) | 730 iL | | 05.1994 | 11.2001 | 34 30 1 162 471 , 34 30 1 163 080 | 83.6124-0275.3 |
| | | BMW | Z8/E52 (00-03) | 4,9 | | 06.2000 | 08.2003 | 34 30 1 162 471 , 34 30 1 163 080 | 83.6124-0275.3 |
| 24.1294-0015.3 | 331449 | AUDI | A1 / A1 Sportback (10-) | 2,0 TDI | RR | 09.2011 | | 6R0 611 764 B , 6R0 611 764 F , 6R0 611 764 M | |
| | | AUDI | A1 / A1 Sportback (10-) | 1,0 TFSI | RR | 03.2015 | | 6R0 611 764 B , 6R0 611 764 F , 6R0 611 764 M | |
| | | AUDI | A1 / A1 Sportback (10-) | 1,2 TFSI | RR | 05.2010 | | 6R0 611 764 B , 6R0 611 764 F , 6R0 611 764 M | |
| | | AUDI | A1 / A1 Sportback (10-) | 1,4 TDI | RR | 11.2014 | | 6R0 611 764 B , 6R0 611 764 F , 6R0 611 764 M | |



| | | | | | | | |
|--|--|--|--|--|-------------------------------|--|--|
| | | | | | OE numbers per ATE pn. | | e.g. replaced pn. / miscellaneous |
|--|--|--|--|--|-------------------------------|--|--|



BSH - Brake hose rear

| | | | | | | | | | |
|----------------|---------------|------|-------------------------|------------------|----|---------|--|---|--|
| 24.1294-0015.3 | 331449 | AUDI | A1 / A1 Sportback (10-) | 1,4 TFSI | RR | 04.2012 | | 6R0 611 764 B , 6R0 611 764 F , 6R0 611 764 M | |
| | | AUDI | A1 / A1 Sportback (10-) | | RR | 05.2010 | | 6R0 611 764 B , 6R0 611 764 F , 6R0 611 764 M | |
| | | AUDI | A1 / A1 Sportback (10-) | | RR | 11.2010 | | 6R0 611 764 B , 6R0 611 764 F , 6R0 611 764 M | |
| | | AUDI | A1 / A1 Sportback (10-) | | RR | 11.2014 | | 6R0 611 764 B , 6R0 611 764 F , 6R0 611 764 M | |
| | | AUDI | A1 / A1 Sportback (10-) | 1,6 TDI | RR | 05.2010 | | 6R0 611 764 B , 6R0 611 764 F , 6R0 611 764 M | |
| | | AUDI | A1 / A1 Sportback (10-) | 1,8 TFSI | RR | 02.2015 | | 6R0 611 764 B , 6R0 611 764 F , 6R0 611 764 M | |
| | | AUDI | A1 / A1 Sportback (10-) | 2,0 TFSI quattro | RR | 10.2012 | | 6R0 611 764 B , 6R0 611 764 F , 6R0 611 764 M | |
| | | AUDI | A1 / A1 Sportback (10-) | 1,6 TDI | RR | 11.2014 | | 6R0 611 764 B , 6R0 611 764 F , 6R0 611 764 M | |
| | | SEAT | IBIZA V / ST / SC (08-) | 1,2 TSI | RR | 08.2012 | | 6R0 611 764 B , 6R0 611 764 F , 6R0 611 764 M | |
| | | SEAT | IBIZA V / ST / SC (08-) | 1,4 TSI Cupra | RR | 06.2009 | | 6R0 611 764 B , 6R0 611 764 F , 6R0 611 764 M | |
| | | SEAT | IBIZA V / ST / SC (08-) | 1 | RR | 05.2015 | | 6R0 611 764 B , 6R0 611 764 F , 6R0 611 764 M | |
| | | SEAT | IBIZA V / ST / SC (08-) | 1,2 TSI | RR | 09.2015 | | 6R0 611 764 B , 6R0 611 764 F , 6R0 611 764 M | |
| | | SEAT | IBIZA V / ST / SC (08-) | 1,4 i 16V | RR | 07.2008 | | 6R0 611 764 B , 6R0 611 764 F , 6R0 611 764 M | |
| | | SEAT | IBIZA V / ST / SC (08-) | 1,4 TDI | RR | 07.2008 | | 6R0 611 764 B , 6R0 611 764 F , 6R0 611 764 M | |



| | | | | | | |
|--|--|--|--|--|-------------------------------|--|
| | | | | | OE numbers per ATE pn. | |
|--|--|--|--|--|-------------------------------|--|



BSH - Brake hose rear

| | | | | | | | |
|----------------|---------------|------|-------------------------|------------|----|---------|---|
| 24.1294-0015.3 | 331449 | SEAT | IBIZA V / ST / SC (08-) | 1,2 TSI | RR | 09.2010 | 6R0 611 764 B , 6R0 611 764 F , 6R0 611 764 M |
| | | SEAT | IBIZA V / ST / SC (08-) | 1,4 TSI FR | RR | 06.2009 | 6R0 611 764 B , 6R0 611 764 F , 6R0 611 764 M |
| | | SEAT | IBIZA V / ST / SC (08-) | | RR | 12.2013 | 6R0 611 764 B , 6R0 611 764 F , 6R0 611 764 M |
| | | SEAT | IBIZA V / ST / SC (08-) | 1,6 i 16V | RR | 07.2008 | 6R0 611 764 B , 6R0 611 764 F , 6R0 611 764 M |
| | | SEAT | IBIZA V / ST / SC (08-) | 1,6 LPG | RR | 05.2011 | 6R0 611 764 B , 6R0 611 764 F , 6R0 611 764 M |
| | | SEAT | IBIZA V / ST / SC (08-) | 1,6 TDI | RR | 06.2009 | 6R0 611 764 B , 6R0 611 764 F , 6R0 611 764 M |
| | | SEAT | IBIZA V / ST / SC (08-) | 1,9 TDI | RR | 07.2008 | 6R0 611 764 B , 6R0 611 764 F , 6R0 611 764 M |
| | | SEAT | IBIZA V / ST / SC (08-) | 2 | RR | 10.2008 | 6R0 611 764 B , 6R0 611 764 F , 6R0 611 764 M |
| | | SEAT | IBIZA V / ST / SC (08-) | 1,2 TDI | RR | 04.2010 | 6R0 611 764 B , 6R0 611 764 F , 6R0 611 764 M |
| | | SEAT | IBIZA V / ST / SC (08-) | 1,4 TDI | RR | 05.2015 | 6R0 611 764 B , 6R0 611 764 F , 6R0 611 764 M |
| | | SEAT | IBIZA V / ST / SC (08-) | 2,0 TDI | RR | 01.2010 | 6R0 611 764 B , 6R0 611 764 F , 6R0 611 764 M |
| | | SEAT | IBIZA V / ST / SC (08-) | 1,0 TSI | RR | 05.2015 | 6R0 611 764 B , 6R0 611 764 F , 6R0 611 764 M |
| | | SEAT | IBIZA V / ST / SC (08-) | 1,2 | RR | 07.2008 | 6R0 611 764 B , 6R0 611 764 F , 6R0 611 764 M |
| | | SEAT | IBIZA V / ST / SC (08-) | | RR | 07.2009 | 6R0 611 764 B , 6R0 611 764 F , 6R0 611 764 M |



| | | | | | | |
|--|--|--|--|--|-------------------------------|---------------------------------------|
| | | | | | OE numbers per ATE pn. | e.g. replaced pn. / miscellaneous |
|--|--|--|--|--|-------------------------------|---------------------------------------|



BSH - Brake hose rear

| | | | | | | | | | |
|----------------|---------------|------------|-------------------------|------------|----|---------|--|---|--|
| 24.1294-0015.3 | 331449 | SEAT | IBIZA V / ST / SC (08-) | 1,2 TSI | RR | 05.2015 | | 6R0 611 764 B , 6R0 611 764 F , 6R0 611 764 M | |
| | | VOLKSWAGEN | POLO V (09-) | 1 | RR | 01.2014 | | 6R0 611 764 B , 6R0 611 764 F , 6R0 611 764 M | |
| | | VOLKSWAGEN | POLO V (09-) | 1,4 TSI | RR | 05.2014 | | 6R0 611 764 B , 6R0 611 764 F , 6R0 611 764 M | |
| | | VOLKSWAGEN | POLO V (09-) | 1 | RR | 11.2014 | | 6R0 611 764 B , 6R0 611 764 F , 6R0 611 764 M | |
| | | VOLKSWAGEN | POLO V (09-) | 1,4 GTI | RR | 05.2010 | | 6R0 611 764 B , 6R0 611 764 F , 6R0 611 764 M | |
| | | VOLKSWAGEN | POLO V (09-) | 1,0 TSI | RR | 11.2014 | | 6R0 611 764 B , 6R0 611 764 F , 6R0 611 764 M | |
| | | VOLKSWAGEN | POLO V (09-) | 1,2 | RR | 03.2009 | | 6R0 611 764 B , 6R0 611 764 F , 6R0 611 764 M | |
| | | VOLKSWAGEN | POLO V (09-) | 1,2 TDI | RR | 10.2009 | | 6R0 611 764 B , 6R0 611 764 F , 6R0 611 764 M | |
| | | VOLKSWAGEN | POLO V (09-) | 1,4 | RR | 03.2009 | | 6R0 611 764 B , 6R0 611 764 F , 6R0 611 764 M | |
| | | VOLKSWAGEN | POLO V (09-) | 1,2 TSI | RR | 01.2014 | | 6R0 611 764 B , 6R0 611 764 F , 6R0 611 764 M | |
| | | VOLKSWAGEN | POLO V (09-) | 1,4 BiFuel | RR | 03.2010 | | 6R0 611 764 B , 6R0 611 764 F , 6R0 611 764 M | |
| | | VOLKSWAGEN | POLO V (09-) | 1,2 TSI | RR | 06.2009 | | 6R0 611 764 B , 6R0 611 764 F , 6R0 611 764 M | |
| | | VOLKSWAGEN | POLO V (09-) | 1,4 TDI | RR | 02.2014 | | 6R0 611 764 B , 6R0 611 764 F , 6R0 611 764 M | |
| | | VOLKSWAGEN | POLO V (09-) | | RR | 03.2014 | | 6R0 611 764 B , 6R0 611 764 F , 6R0 611 764 M | |



| | | | | | | | |
|--|--|--|--|--|-------------------------------|--|--|
| | | | | | OE numbers per ATE pn. | | e.g. replaced pn. / miscellaneous |
|--|--|--|--|--|-------------------------------|--|--|



BSH - Brake hose rear

| | | | | | | | | | |
|----------------|---------------|------------|--------------|------------|----|---------|--|---|--|
| 24.1294-0015.3 | 331449 | VOLKSWAGEN | POLO V (09-) | 1,8 GTI | RR | 11.2014 | | 6R0 611 764 B , 6R0 611 764 F , 6R0 611 764 M | |
| | | VOLKSWAGEN | POLO V (09-) | 1,2 TSI | RR | 05.2011 | | 6R0 611 764 B , 6R0 611 764 F , 6R0 611 764 M | |
| | | VOLKSWAGEN | POLO V (09-) | 1,6 | RR | 07.2014 | | 6R0 611 764 B , 6R0 611 764 F , 6R0 611 764 M | |
| | | VOLKSWAGEN | POLO V (09-) | 1,6 BiFuel | RR | 01.2011 | | 6R0 611 764 B , 6R0 611 764 F , 6R0 611 764 M | |
| | | VOLKSWAGEN | POLO V (09-) | 1,6 TDI | RR | 06.2009 | | 6R0 611 764 B , 6R0 611 764 F , 6R0 611 764 M | |
| | | VOLKSWAGEN | POLO V (09-) | 2,0 R WRC | RR | 08.2013 | | 6R0 611 764 B , 6R0 611 764 F , 6R0 611 764 M | |
| | | VOLKSWAGEN | POLO V (09-) | 1,6 TDI | RR | 03.2009 | | 6R0 611 764 B , 6R0 611 764 F , 6R0 611 764 M | |
| | | VOLKSWAGEN | POLO V (09-) | 1,4 TSI | RR | 10.2012 | | 6R0 611 764 B , 6R0 611 764 F , 6R0 611 764 M | |
| | | VOLKSWAGEN | POLO V (09-) | 1,4 TDI | RR | 05.2014 | | 6R0 611 764 B , 6R0 611 764 F , 6R0 611 764 M | |



BSV - Brake hose front

| | | | | | | | | | |
|----------------|---------------|-------------|-------------------------|--------|--|---------|---------|---|----------------|
| 24.5201-0290.3 | 331401 | Classic PKW | BMW 1502 - 2002 (65-77) | 1502 | | 01.1975 | 12.1977 | 34 32 1 159 879 , 34 32 1 113 184 , 34 32 1 115 694 , 34 32 1 102 567 | 83.6204-0290.3 |
| | | Classic PKW | BMW 1502 - 2002 (65-77) | 1600 2 | | 01.1969 | 12.1971 | 34 32 1 159 879 , 34 32 1 113 184 , 34 32 1 115 694 , 34 32 1 102 567 | 83.6204-0290.3 |



| | | | | | | |
|--|--|--|--|--|-------------------------------|---------------------------------------|
| | | | | | OE numbers per ATE pn. | e.g. replaced pn. / miscellaneous |
|--|--|--|--|--|-------------------------------|---------------------------------------|



BSV - Brake hose front

| | | | | | | | | | |
|----------------|---------------|-------------|-----------------------------|--------------|--|---------|---------|---|----------------|
| 24.5201-0290.3 | 331401 | Classic PKW | BMW 1502 - 2002 (65-77) | 1600 2 ti | | 01.1969 | 12.1971 | 34 32 1 159 879 , 34 32 1 113 184 , 34 32 1 115 694 , 34 32 1 102 567 | 83.6204-0290.3 |
| | | Classic PKW | BMW 1502 - 2002 (65-77) | 1600 Touring | | 01.1971 | 12.1973 | 34 32 1 159 879 , 34 32 1 113 184 , 34 32 1 115 694 , 34 32 1 102 567 | 83.6204-0290.3 |
| | | Classic PKW | BMW 1502 - 2002 (65-77) | 1602 | | 01.1971 | 12.1975 | 34 32 1 159 879 , 34 32 1 113 184 , 34 32 1 115 694 , 34 32 1 102 567 | 83.6204-0290.3 |
| | | Classic PKW | BMW 1502 - 2002 (65-77) | 1800 Touring | | 01.1971 | 12.1973 | 34 32 1 159 879 , 34 32 1 113 184 , 34 32 1 115 694 , 34 32 1 102 567 | 83.6204-0290.3 |
| | | Classic PKW | BMW 1502 - 2002 (65-77) | 1802 | | 01.1971 | 12.1975 | 34 32 1 159 879 , 34 32 1 113 184 , 34 32 1 115 694 , 34 32 1 102 567 | 83.6204-0290.3 |
| | | Classic PKW | BMW 1502 - 2002 (65-77) | 2000 Touring | | 01.1969 | 12.1973 | 34 32 1 159 879 , 34 32 1 113 184 , 34 32 1 115 694 , 34 32 1 102 567 | 83.6204-0290.3 |
| | | Classic PKW | BMW 1502 - 2002 (65-77) | 2002 | | 01.1970 | 12.1975 | 34 32 1 159 879 , 34 32 1 113 184 , 34 32 1 115 694 , 34 32 1 102 567 | 83.6204-0290.3 |
| | | Classic PKW | BMW 1502 - 2002 (65-77) | 1802 Touring | | 01.1973 | 12.1975 | 34 32 1 159 879 , 34 32 1 113 184 , 34 32 1 115 694 , 34 32 1 102 567 | 83.6204-0290.3 |
| | | Classic PKW | BMW 2,5/2,8/3,0/3,3 (68-77) | 3,3 | | 01.1974 | 12.1977 | 34 32 1 159 879 , 34 32 1 113 184 , 34 32 1 115 694 , 34 32 1 102 567 | 83.6204-0290.3 |
| | | Classic PKW | BMW 2,5/2,8/3,0/3,3 (68-77) | 2,5 CS | | 01.1974 | 12.1977 | 34 32 1 159 879 , 34 32 1 113 184 , 34 32 1 115 694 , 34 32 1 102 567 | 83.6204-0290.3 |



| | | | | | | | |
|--|--|--|--|--|-------------------------------|--|--|
| | | | | | OE numbers per ATE pn. | | e.g. replaced pn. / miscellaneous |
|--|--|--|--|--|-------------------------------|--|--|



BSV - Brake hose front

| | | | | | | | | | |
|----------------|---------------|-------------|-----------------------------|-------------|--|---------|---------|---|----------------|
| 24.5201-0290.3 | 331401 | Classic PKW | BMW 2,5/2,8/3,0/3,3 (68-77) | 2800 | | 01.1969 | 12.1977 | 34 32 1 159 879 , 34 32 1 113 184 , 34 32 1 115 694 , 34 32 1 102 567 | 83.6204-0290.3 |
| | | Classic PKW | BMW 2,5/2,8/3,0/3,3 (68-77) | 3,0 S/LS/CS | | 01.1971 | 12.1977 | 34 32 1 159 879 , 34 32 1 113 184 , 34 32 1 115 694 , 34 32 1 102 567 | 83.6204-0290.3 |
| | | Classic PKW | BMW 2,5/2,8/3,0/3,3 (68-77) | 2500 | | 01.1969 | 12.1977 | 34 32 1 159 879 , 34 32 1 113 184 , 34 32 1 115 694 , 34 32 1 102 567 | 83.6204-0290.3 |
| | | Classic PKW | BMW 3 series/E21 (75-83) | 320/6 | | 10.1977 | 10.1982 | 34 32 1 159 879 , 34 32 1 113 184 , 34 32 1 115 694 , 34 32 1 102 567 | 83.6204-0290.3 |
| | | Classic PKW | BMW 3 series/E21 (75-83) | 315 | | 04.1981 | 12.1983 | 34 32 1 159 879 , 34 32 1 113 184 , 34 32 1 115 694 , 34 32 1 102 567 | 83.6204-0290.3 |
| | | Classic PKW | BMW 3 series/E21 (75-83) | 323 i | | 02.1978 | 10.1982 | 34 32 1 159 879 , 34 32 1 113 184 , 34 32 1 115 694 , 34 32 1 102 567 | 83.6204-0290.3 |
| | | Classic PKW | BMW 3 series/E21 (75-83) | 320/4 | | 06.1975 | 07.1979 | 34 32 1 159 879 , 34 32 1 113 184 , 34 32 1 115 694 , 34 32 1 102 567 | 83.6204-0290.3 |
| | | Classic PKW | BMW 3 series/E21 (75-83) | 320 i | | 10.1975 | 07.1978 | 34 32 1 159 879 , 34 32 1 113 184 , 34 32 1 115 694 , 34 32 1 102 567 | 83.6204-0290.3 |
| | | Classic PKW | BMW 3 series/E21 (75-83) | 318 i | | 06.1975 | 06.1982 | 34 32 1 159 879 , 34 32 1 113 184 , 34 32 1 115 694 , 34 32 1 102 567 | 83.6204-0290.3 |
| | | Classic PKW | BMW 3 series/E21 (75-83) | 318 | | 06.1975 | 08.1980 | 34 32 1 159 879 , 34 32 1 113 184 , 34 32 1 115 694 , 34 32 1 102 567 | 83.6204-0290.3 |



| | | | | | | | |
|--|--|--|--|--|-------------------------------|--|--|
| | | | | | OE numbers per ATE pn. | | e.g. replaced pn. / miscellaneous |
|--|--|--|--|--|-------------------------------|--|--|



BSV - Brake hose front

| | | | | | | | | | |
|----------------|---------------|-------------|--------------------------|---------|--|---------|---------|---|----------------|
| 24.5201-0290.3 | 331401 | Classic PKW | BMW 3 series/E21 (75-83) | 316 | | 06.1975 | 07.1983 | 34 32 1 159 879 , 34 32 1 113 184 , 34 32 1 115 694 , 34 32 1 102 567 | 83.6204-0290.3 |
| | | Classic PKW | BMW 5 series/E12 (72-81) | 520 4 | | 06.1972 | 01.1979 | 34 32 1 159 879 , 34 32 1 113 184 , 34 32 1 115 694 , 34 32 1 102 567 | 83.6204-0290.3 |
| | | Classic PKW | BMW 5 series/E12 (72-81) | 528 i | | 03.1977 | 06.1981 | 34 32 1 159 879 , 34 32 1 113 184 , 34 32 1 115 694 , 34 32 1 102 567 | 83.6204-0290.3 |
| | | Classic PKW | BMW 5 series/E12 (72-81) | 528 | | 01.1975 | 07.1977 | 34 32 1 159 879 , 34 32 1 113 184 , 34 32 1 115 694 , 34 32 1 102 567 | 83.6204-0290.3 |
| | | Classic PKW | BMW 5 series/E12 (72-81) | 525 | | 10.1973 | 06.1981 | 34 32 1 159 879 , 34 32 1 113 184 , 34 32 1 115 694 , 34 32 1 102 567 | 83.6204-0290.3 |
| | | Classic PKW | BMW 5 series/E12 (72-81) | 518 | | 06.1974 | 05.1981 | 34 32 1 159 879 , 34 32 1 113 184 , 34 32 1 115 694 , 34 32 1 102 567 | 83.6204-0290.3 |
| | | Classic PKW | BMW 5 series/E12 (72-81) | 520 6 | | 08.1977 | 06.1981 | 34 32 1 159 879 , 34 32 1 113 184 , 34 32 1 115 694 , 34 32 1 102 567 | 83.6204-0290.3 |
| | | Classic PKW | BMW 5 series/E12 (72-81) | 518 i | | 09.1979 | 06.1981 | 34 32 1 159 879 , 34 32 1 113 184 , 34 32 1 115 694 , 34 32 1 102 567 | 83.6204-0290.3 |
| | | Classic PKW | BMW 5 series/E12 (72-81) | 520 i | | 10.1972 | 07.1979 | 34 32 1 159 879 , 34 32 1 113 184 , 34 32 1 115 694 , 34 32 1 102 567 | 83.6204-0290.3 |
| | | Classic PKW | BMW 6 series/E24 (76-89) | 635 CSi | | 06.1978 | 04.1982 | 34 32 1 159 879 , 34 32 1 113 184 , 34 32 1 115 694 , 34 32 1 102 567 | 83.6204-0290.3 |



| | | | | | | |
|--|--|--|--|--|-------------------------------|---------------------------------------|
| | | | | | OE numbers per ATE pn. | e.g. replaced pn. / miscellaneous |
|--|--|--|--|--|-------------------------------|---------------------------------------|



BSV - Brake hose front

| | | | | | | | | |
|----------------|---------------|-------------|--------------------------|---------|---------|---------|---|----------------|
| 24.5201-0290.3 | 331401 | Classic PKW | BMW 6 series/E24 (76-89) | 633 CSi | 01.1976 | 04.1982 | 34 32 1 159 879 , 34 32 1 113 184 , 34 32 1 115 694 , 34 32 1 102 567 | 83.6204-0290.3 |
| | | Classic PKW | BMW 6 series/E24 (76-89) | 630 CS | 02.1976 | 08.1979 | 34 32 1 159 879 , 34 32 1 113 184 , 34 32 1 115 694 , 34 32 1 102 567 | 83.6204-0290.3 |
| | | Classic PKW | BMW 6 series/E24 (76-89) | 628 CSi | 09.1979 | 04.1982 | 34 32 1 159 879 , 34 32 1 113 184 , 34 32 1 115 694 , 34 32 1 102 567 | 83.6204-0290.3 |
| | | Classic PKW | BMW 7 series/E23 (77-86) | 733 i | 05.1977 | 07.1982 | 34 32 1 159 879 , 34 32 1 113 184 , 34 32 1 115 694 , 34 32 1 102 567 | 83.6204-0290.3 |
| | | Classic PKW | BMW 7 series/E23 (77-86) | 735 i | 09.1979 | 04.1986 | 34 32 1 159 879 , 34 32 1 113 184 , 34 32 1 115 694 , 34 32 1 102 567 | 83.6204-0290.3 |
| | | Classic PKW | BMW 7 series/E23 (77-86) | 745 i | 04.1980 | 05.1986 | 34 32 1 159 879 , 34 32 1 113 184 , 34 32 1 115 694 , 34 32 1 102 567 | 83.6204-0290.3 |
| | | Classic PKW | BMW 7 series/E23 (77-86) | 730 | 05.1977 | 08.1979 | 34 32 1 159 879 , 34 32 1 113 184 , 34 32 1 115 694 , 34 32 1 102 567 | 83.6204-0290.3 |
| | | Classic PKW | BMW 7 series/E23 (77-86) | 728 i | 07.1978 | 05.1986 | 34 32 1 159 879 , 34 32 1 113 184 , 34 32 1 115 694 , 34 32 1 102 567 | 83.6204-0290.3 |
| | | Classic PKW | BMW 7 series/E23 (77-86) | 728 | 04.1977 | 09.1979 | 34 32 1 159 879 , 34 32 1 113 184 , 34 32 1 115 694 , 34 32 1 102 567 | 83.6204-0290.3 |
| | | Classic PKW | BMW 7 series/E23 (77-86) | 732 i | 05.1977 | 04.1986 | 34 32 1 159 879 , 34 32 1 113 184 , 34 32 1 115 694 , 34 32 1 102 567 | 83.6204-0290.3 |



| | | | | | | | |
|--|--|--|--|--|-------------------------------|--|--|
| | | | | | OE numbers per ATE pn. | | e.g. replaced pn. / miscellaneous |
|--|--|--|--|--|-------------------------------|--|--|



BSV - Brake hose front

| | | | | | | | | | |
|----------------|---------------|------------|------------------------------------|-------------|--|---------|---------|---|----------------|
| 24.5231-0391.3 | 331424 | OPEL | VECTRA B / Vauxhall Vectra (96-02) | 2,5 V6 | | 09.1995 | 09.2000 | 5 62 364 , 90495787 , 5 62 373 , 90539252 | 83.7257-0388.3 |
| | | OPEL | VECTRA B / Vauxhall Vectra (96-02) | 1,6 16V | | 09.1995 | 04.2002 | 5 62 364 , 90495787 , 5 62 373 , 90539252 | 83.7257-0388.3 |
| | | OPEL | VECTRA B / Vauxhall Vectra (96-02) | 2,6 V6 | | 09.2000 | 04.2002 | 5 62 364 , 90495787 , 5 62 373 , 90539252 | 83.7257-0388.3 |
| | | OPEL | VECTRA B / Vauxhall Vectra (96-02) | 2,2 16V | | 09.2000 | 04.2002 | 5 62 364 , 90495787 , 5 62 373 , 90539252 | 83.7257-0388.3 |
| | | OPEL | VECTRA B / Vauxhall Vectra (96-02) | 2,2 DTI 16V | | 09.2000 | 04.2002 | 5 62 364 , 90495787 , 5 62 373 , 90539252 | 83.7257-0388.3 |
| | | OPEL | VECTRA B / Vauxhall Vectra (96-02) | 1,6 | | 09.1995 | 04.2002 | 5 62 364 , 90495787 , 5 62 373 , 90539252 | 83.7257-0388.3 |
| | | OPEL | VECTRA B / Vauxhall Vectra (96-02) | 1,8 i 16V | | 09.1995 | 04.2002 | 5 62 364 , 90495787 , 5 62 373 , 90539252 | 83.7257-0388.3 |
| | | OPEL | VECTRA B / Vauxhall Vectra (96-02) | 2,0 16V | | 09.1995 | 04.2002 | 5 62 364 , 90495787 , 5 62 373 , 90539252 | 83.7257-0388.3 |
| | | OPEL | VECTRA B / Vauxhall Vectra (96-02) | 2,0 DI 16V | | 11.1996 | 04.2002 | 5 62 364 , 90495787 , 5 62 373 , 90539252 | 83.7257-0388.3 |
| | | OPEL | VECTRA B / Vauxhall Vectra (96-02) | 2,0 DTI 16V | | 06.1997 | 04.2002 | 5 62 364 , 90495787 , 5 62 373 , 90539252 | 83.7257-0388.3 |
| | | OPEL | VECTRA B / Vauxhall Vectra (96-02) | i 500 2,5 | | 05.1998 | 09.2000 | 5 62 364 , 90495787 , 5 62 373 , 90539252 | 83.7257-0388.3 |
| | | OPEL | VECTRA B / Vauxhall Vectra (96-02) | 1,7 TD | | 09.1995 | 11.1996 | 5 62 364 , 90495787 , 5 62 373 , 90539252 | 83.7257-0388.3 |
| 24.5105-0442.3 | 331432 | VOLKSWAGEN | CADDY II (96-04) | 1,4 | | 11.1995 | 01.2004 | 1H0 611 701 , 6K0 611 701 , 1H0 611 701 F | 83.7713-0435.3 |
| | | VOLKSWAGEN | CADDY II (96-04) | 1,9 TDI | | 09.1996 | 01.2004 | 1H0 611 701 , 6K0 611 701 , 1H0 611 701 F | 83.7713-0435.3 |



| | | | | | | | |
|--|--|--|--|--|-------------------------------|--|--|
| | | | | | OE numbers per ATE pn. | | e.g. replaced pn. / miscellaneous |
|--|--|--|--|--|-------------------------------|--|--|



BSV - Brake hose front

| | | | | | | | | | |
|----------------|---------------|------------|-------------------|-----------|--|---------|---------|---|----------------|
| 24.5105-0442.3 | 331432 | VOLKSWAGEN | CADDY II (96-04) | 1,9 SDI | | 11.1995 | 01.2004 | 1H0 611 701 , 6K0 611 701 , 1H0 611 701 F | 83.7713-0435.3 |
| | | VOLKSWAGEN | CADDY II (96-04) | 1,9 D | | 11.1995 | 01.2004 | 1H0 611 701 , 6K0 611 701 , 1H0 611 701 F | 83.7713-0435.3 |
| | | VOLKSWAGEN | CADDY II (96-04) | 1,7 SDI | | 07.1996 | 01.2004 | 1H0 611 701 , 6K0 611 701 , 1H0 611 701 F | 83.7713-0435.3 |
| | | VOLKSWAGEN | CADDY II (96-04) | 1,6 | | 11.1995 | 01.2004 | 1H0 611 701 , 6K0 611 701 , 1H0 611 701 F | 83.7713-0435.3 |
| | | SEAT | CORDOBA I (93-99) | 1,8 i | | 11.1993 | 05.1999 | 1H0 611 701 , 6K0 611 701 , 1H0 611 701 F | 83.7713-0435.3 |
| | | SEAT | CORDOBA I (93-99) | 1,6 i | | 11.1993 | 05.1999 | 1H0 611 701 , 6K0 611 701 , 1H0 611 701 F | 83.7713-0435.3 |
| | | SEAT | CORDOBA I (93-99) | 1,9 TD | | 11.1993 | 05.1999 | 1H0 611 701 , 6K0 611 701 , 1H0 611 701 F | 83.7713-0435.3 |
| | | SEAT | CORDOBA I (93-99) | 1,8 i 16V | | 02.1994 | 05.1999 | 1H0 611 701 , 6K0 611 701 , 1H0 611 701 F | 83.7713-0435.3 |
| | | SEAT | CORDOBA I (93-99) | 1,9 D | | 11.1993 | 05.1999 | 1H0 611 701 , 6K0 611 701 , 1H0 611 701 F | 83.7713-0435.3 |
| | | SEAT | CORDOBA I (93-99) | 1,9 SDI | | 09.1995 | 05.1999 | 1H0 611 701 , 6K0 611 701 , 1H0 611 701 F | 83.7713-0435.3 |
| | | SEAT | CORDOBA I (93-99) | 1,4 i | | 11.1993 | 05.1999 | 1H0 611 701 , 6K0 611 701 , 1H0 611 701 F | 83.7713-0435.3 |
| | | SEAT | CORDOBA I (93-99) | 1,9 TDI | | 03.1997 | 05.1999 | 1H0 611 701 , 6K0 611 701 , 1H0 611 701 F | 83.7713-0435.3 |
| | | SEAT | CORDOBA I (93-99) | 1,6 i | | 05.1994 | 05.1999 | 1H0 611 701 , 6K0 611 701 , 1H0 611 701 F | 83.7713-0435.3 |
| | | SEAT | CORDOBA I (93-99) | 2,0 i 16V | | 07.1996 | 05.1999 | 1H0 611 701 , 6K0 611 701 , 1H0 611 701 F | 83.7713-0435.3 |



| | | | | | | | |
|--|--|--|--|--|-------------------------------|--|--|
| | | | | | OE numbers per ATE pn. | | e.g. replaced pn. / miscellaneous |
|--|--|--|--|--|-------------------------------|--|--|



BSV - Brake hose front

| | | | | | | | | |
|----------------|---------------|------------|--------------------------|----------------|---------|---------|---|----------------|
| 24.5105-0442.3 | 331432 | SEAT | CORDOBA I (93-99) | 2,0 i | 11.1993 | 05.1999 | 1H0 611 701 , 6K0 611 701 , 1H0 611 701 F | 83.7713-0435.3 |
| | | SEAT | CORDOBA I (93-99) | 1,9 TDI | 07.1996 | 05.1999 | 1H0 611 701 , 6K0 611 701 , 1H0 611 701 F | 83.7713-0435.3 |
| | | SEAT | CORDOBA II (6K2) (99-02) | 1 | 06.1999 | 09.2002 | 1H0 611 701 , 6K0 611 701 , 1H0 611 701 F | 83.7713-0435.3 |
| | | SEAT | CORDOBA II (6K2) (99-02) | 1,9 SDI | 06.1999 | 09.2002 | 1H0 611 701 , 6K0 611 701 , 1H0 611 701 F | 83.7713-0435.3 |
| | | SEAT | CORDOBA II (6K2) (99-02) | 1,9 TDI | 06.1999 | 09.2002 | 1H0 611 701 , 6K0 611 701 , 1H0 611 701 F | 83.7713-0435.3 |
| | | SEAT | CORDOBA II (6K2) (99-02) | 1,8 T 20V | 07.2000 | 09.2002 | 1H0 611 701 , 6K0 611 701 , 1H0 611 701 F | 83.7713-0435.3 |
| | | SEAT | CORDOBA II (6K2) (99-02) | 1,6 i | 06.1999 | 09.2002 | 1H0 611 701 , 6K0 611 701 , 1H0 611 701 F | 83.7713-0435.3 |
| | | SEAT | CORDOBA II (6K2) (99-02) | 1,4 i 16V | 06.1999 | 09.2002 | 1H0 611 701 , 6K0 611 701 , 1H0 611 701 F | 83.7713-0435.3 |
| | | SEAT | CORDOBA II (6K2) (99-02) | 1,4 i | 06.1999 | 09.2002 | 1H0 611 701 , 6K0 611 701 , 1H0 611 701 F | 83.7713-0435.3 |
| | | VOLKSWAGEN | GOLF III (92-97) | 1,4 | 11.1991 | 08.1997 | 1H0 611 701 , 6K0 611 701 , 1H0 611 701 F | 83.7713-0435.3 |
| | | VOLKSWAGEN | GOLF III (92-97) | 1,9 TD | 11.1991 | 08.1997 | 1H0 611 701 , 6K0 611 701 , 1H0 611 701 F | 83.7713-0435.3 |
| | | VOLKSWAGEN | GOLF III (92-97) | 2,0 GL | 11.1991 | 08.1997 | 1H0 611 701 , 6K0 611 701 , 1H0 611 701 F | 83.7713-0435.3 |
| | | VOLKSWAGEN | GOLF III (92-97) | 1,9 TDI Syncro | 03.1995 | 08.1997 | 1H0 611 701 , 6K0 611 701 , 1H0 611 701 F | 83.7713-0435.3 |
| | | VOLKSWAGEN | GOLF III (92-97) | 1,9 TDI | 10.1993 | 08.1997 | 1H0 611 701 , 6K0 611 701 , 1H0 611 701 F | 83.7713-0435.3 |



| | | | | | | | |
|--|--|--|--|--|-------------------------------|--|--|
| | | | | | OE numbers per ATE pn. | | e.g. replaced pn. / miscellaneous |
|--|--|--|--|--|-------------------------------|--|--|



BSV - Brake hose front

| | | | | | | | | |
|----------------|---------------|------------|------------------------------|----------------|---------|---------|---|----------------|
| 24.5105-0442.3 | 331432 | VOLKSWAGEN | GOLF III (92-97) | 1,9 TDI | 02.1996 | 08.1997 | 1H0 611 701 , 6K0 611 701 , 1H0 611 701 F | 83.7713-0435.3 |
| | | VOLKSWAGEN | GOLF III (92-97) | 2,0 Syncro | 07.1995 | 08.1997 | 1H0 611 701 , 6K0 611 701 , 1H0 611 701 F | 83.7713-0435.3 |
| | | VOLKSWAGEN | GOLF III (92-97) | 1,9 SDI | 07.1995 | 08.1997 | 1H0 611 701 , 6K0 611 701 , 1H0 611 701 F | 83.7713-0435.3 |
| | | VOLKSWAGEN | GOLF III (92-97) | 1,9 D Ecomatic | 08.1993 | 07.1995 | 1H0 611 701 , 6K0 611 701 , 1H0 611 701 F | 83.7713-0435.3 |
| | | VOLKSWAGEN | GOLF III (92-97) | 1,9 D | 11.1991 | 08.1997 | 1H0 611 701 , 6K0 611 701 , 1H0 611 701 F | 83.7713-0435.3 |
| | | VOLKSWAGEN | GOLF III (92-97) | 1,8 Syncro | 01.1993 | 08.1997 | 1H0 611 701 , 6K0 611 701 , 1H0 611 701 F | 83.7713-0435.3 |
| | | VOLKSWAGEN | GOLF III (92-97) | 1,6 | 09.1992 | 08.1997 | 1H0 611 701 , 6K0 611 701 , 1H0 611 701 F | 83.7713-0435.3 |
| | | VOLKSWAGEN | GOLF III (92-97) | 2,9 VR6 Syncro | 10.1994 | 02.1995 | 1H0 611 701 , 6K0 611 701 , 1H0 611 701 F | 83.7713-0435.3 |
| | | VOLKSWAGEN | GOLF III (92-97) | 2,8 VR6 | 01.1992 | 02.1995 | 1H0 611 701 , 6K0 611 701 , 1H0 611 701 F | 83.7713-0435.3 |
| | | VOLKSWAGEN | GOLF III (92-97) | 1,8 | 11.1991 | 08.1997 | 1H0 611 701 , 6K0 611 701 , 1H0 611 701 F | 83.7713-0435.3 |
| | | VOLKSWAGEN | GOLF III Convertible (94-02) | 1,9 TDI | 09.1996 | 02.2002 | 1H0 611 701 , 6K0 611 701 , 1H0 611 701 F | 83.7713-0435.3 |
| | | VOLKSWAGEN | GOLF III Convertible (94-02) | | 08.1995 | 02.2002 | 1H0 611 701 , 6K0 611 701 , 1H0 611 701 F | 83.7713-0435.3 |
| | | VOLKSWAGEN | GOLF III Convertible (94-02) | 1,8 | 09.1993 | 02.2002 | 1H0 611 701 , 6K0 611 701 , 1H0 611 701 F | 83.7713-0435.3 |
| | | VOLKSWAGEN | GOLF III Convertible (94-02) | 1,6 | 10.1994 | 02.2002 | 1H0 611 701 , 6K0 611 701 , 1H0 611 701 F | 83.7713-0435.3 |



| | | | | | | | |
|--|--|--|--|--|-------------------------------|--|--|
| | | | | | OE numbers per ATE pn. | | e.g. replaced pn. / miscellaneous |
|--|--|--|--|--|-------------------------------|--|--|



BSV - Brake hose front

| | | | | | | | | |
|----------------|---------------|------------|------------------------------|----------------|---------|---------|--|----------------|
| 24.5105-0442.3 | 331432 | VOLKSWAGEN | GOLF III Convertible (94-02) | 2 | 09.1993 | 02.2002 | 1H0 611 701 , 6K0 611 701 , 1H0 611 701 F | 83.7713-0435.3 |
| | | VOLKSWAGEN | GOLF III Variant (93-99) | 1,8 Syncro | 07.1994 | 04.1999 | 1H0 611 701 , 6K0 611 701 , 1H0 611 701 F | 83.7713-0435.3 |
| | | VOLKSWAGEN | GOLF III Variant (93-99) | 1,9 TDI Syncro | 07.1995 | 04.1999 | 1H0 611 701 , 6K0 611 701 , 1H0 611 701 F | 83.7713-0435.3 |
| | | VOLKSWAGEN | GOLF III Variant (93-99) | 1,9 TDI | 07.1993 | 04.1999 | 1H0 611 701 , 6K0 611 701 , 1H0 611 701 F | 83.7713-0435.3 |
| | | VOLKSWAGEN | GOLF III Variant (93-99) | | 02.1996 | 04.1999 | 1H0 611 701 , 6K0 611 701 , 1H0 611 701 F | 83.7713-0435.3 |
| | | VOLKSWAGEN | GOLF III Variant (93-99) | 1,9 TD | 07.1993 | 04.1999 | 1H0 611 701 , 6K0 611 701 , 1H0 611 701 F | 83.7713-0435.3 |
| | | VOLKSWAGEN | GOLF III Variant (93-99) | 1,9 D | 07.1993 | 04.1999 | 1H0 611 701 , 6K0 611 701 , 1H0 611 701 F | 83.7713-0435.3 |
| | | VOLKSWAGEN | GOLF III Variant (93-99) | 2,0 Syncro | 07.1995 | 04.1999 | 1H0 611 701 , 6K0 611 701 , 1H0 611 701 F | 83.7713-0435.3 |
| | | VOLKSWAGEN | GOLF III Variant (93-99) | 1,8 | 07.1993 | 04.1999 | 1H0 611 701 , 6K0 611 701 , 1H0 611 701 F | 83.7713-0435.3 |
| | | VOLKSWAGEN | GOLF III Variant (93-99) | 1,6 | 07.1994 | 04.1999 | 1H0 611 701 , 6K0 611 701 , 1H0 611 701 F | 83.7713-0435.3 |
| | | VOLKSWAGEN | GOLF III Variant (93-99) | 1,4 | 07.1993 | 04.1999 | 1H0 611 701 , 6K0 611 701 , 1H0 611 701 F | 83.7713-0435.3 |
| | | VOLKSWAGEN | GOLF III Variant (93-99) | 1,9 SDI | 07.1995 | 04.1999 | 1H0 611 701 , 6K0 611 701 , 1H0 611 701 F | 83.7713-0435.3 |
| | | VOLKSWAGEN | GOLF III Variant (93-99) | 2 | 07.1993 | 04.1999 | 1H0 611 701 , 6K0 611 701 , 1H0 611 701 F | 83.7713-0435.3 |
| | | SEAT | IBIZA II (93-99) | 1,9 D | 02.1993 | 07.1999 | 1H0 611 701 , 6K0 611 701 , 1H0 611 701 F | 83.7713-0435.3 |



| | | | | | | | |
|--|--|--|--|--|-------------------------------|--|--|
| | | | | | OE numbers per ATE pn. | | e.g. replaced pn. / miscellaneous |
|--|--|--|--|--|-------------------------------|--|--|



BSV - Brake hose front

| | | | | | | | | |
|----------------|---------------|------|-------------------------|-----------------|---------|---------|---|----------------|
| 24.5105-0442.3 | 331432 | SEAT | IBIZA II (93-99) | 1,0 i | 02.1993 | 07.1999 | 1H0 611 701 , 6K0 611 701 , 1H0 611 701 F | 83.7713-0435.3 |
| | | SEAT | IBIZA II (93-99) | 1,3 i | 02.1993 | 07.1999 | 1H0 611 701 , 6K0 611 701 , 1H0 611 701 F | 83.7713-0435.3 |
| | | SEAT | IBIZA II (93-99) | 1,4 | 09.1993 | 07.1999 | 1H0 611 701 , 6K0 611 701 , 1H0 611 701 F | 83.7713-0435.3 |
| | | SEAT | IBIZA II (93-99) | 1,4 i 16V | 09.1996 | 07.1999 | 1H0 611 701 , 6K0 611 701 , 1H0 611 701 F | 83.7713-0435.3 |
| | | SEAT | IBIZA II (93-99) | 1,6 i | 02.1993 | 07.1999 | 1H0 611 701 , 6K0 611 701 , 1H0 611 701 F | 83.7713-0435.3 |
| | | SEAT | IBIZA II (93-99) | 2,0 i 16V Cupra | 07.1996 | 07.1999 | 1H0 611 701 , 6K0 611 701 , 1H0 611 701 F | 83.7713-0435.3 |
| | | SEAT | IBIZA II (93-99) | 1,8 i 16V | 02.1994 | 07.1999 | 1H0 611 701 , 6K0 611 701 , 1H0 611 701 F | 83.7713-0435.3 |
| | | SEAT | IBIZA II (93-99) | 1,9 SDI | 09.1995 | 07.1999 | 1H0 611 701 , 6K0 611 701 , 1H0 611 701 F | 83.7713-0435.3 |
| | | SEAT | IBIZA II (93-99) | 1,9 TD | 02.1993 | 07.1999 | 1H0 611 701 , 6K0 611 701 , 1H0 611 701 F | 83.7713-0435.3 |
| | | SEAT | IBIZA II (93-99) | 1,9 TDI | 03.1997 | 07.1999 | 1H0 611 701 , 6K0 611 701 , 1H0 611 701 F | 83.7713-0435.3 |
| | | SEAT | IBIZA II (93-99) | | 07.1996 | 07.1999 | 1H0 611 701 , 6K0 611 701 , 1H0 611 701 F | 83.7713-0435.3 |
| | | SEAT | IBIZA II (93-99) | 2,0 i | 02.1993 | 07.1999 | 1H0 611 701 , 6K0 611 701 , 1H0 611 701 F | 83.7713-0435.3 |
| | | SEAT | IBIZA II (93-99) | 1,8 i | 02.1993 | 07.1999 | 1H0 611 701 , 6K0 611 701 , 1H0 611 701 F | 83.7713-0435.3 |
| | | SEAT | IBIZA III (6K1) (99-02) | 1,9 SDI | 08.1999 | 01.2002 | 1H0 611 701 , 6K0 611 701 , 1H0 611 701 F | 83.7713-0435.3 |



| | | | | | | | |
|--|--|--|--|--|-------------------------------|--|--|
| | | | | | OE numbers per ATE pn. | | e.g. replaced pn. / miscellaneous |
|--|--|--|--|--|-------------------------------|--|--|



BSV - Brake hose front

| | | | | | | | | |
|----------------|---------------|------------|-------------------------|---------------|---------|---------|--|----------------|
| 24.5105-0442.3 | 331432 | SEAT | IBIZA III (6K1) (99-02) | 1,0 i | 08.1999 | 01.2002 | 1H0 611 701 , 6K0 611 701 , 1H0 611 701 F | 83.7713-0435.3 |
| | | SEAT | IBIZA III (6K1) (99-02) | 1,9 TDI | 08.1999 | 01.2002 | 1H0 611 701 , 6K0 611 701 , 1H0 611 701 F | 83.7713-0435.3 |
| | | SEAT | IBIZA III (6K1) (99-02) | 1,6 i | 08.1999 | 01.2002 | 1H0 611 701 , 6K0 611 701 , 1H0 611 701 F | 83.7713-0435.3 |
| | | SEAT | IBIZA III (6K1) (99-02) | 1,4 i 16V | 08.1999 | 01.2002 | 1H0 611 701 , 6K0 611 701 , 1H0 611 701 F | 83.7713-0435.3 |
| | | SEAT | IBIZA III (6K1) (99-02) | 1,4 i | 08.1999 | 01.2002 | 1H0 611 701 , 6K0 611 701 , 1H0 611 701 F | 83.7713-0435.3 |
| | | SEAT | INCA (6K9) (96-03) | 1,9 SDI / TDI | 11.1995 | 08.2003 | 1H0 611 701 , 6K0 611 701 , 1H0 611 701 F | 83.7713-0435.3 |
| | | SEAT | INCA (6K9) (96-03) | 1,4 i 16V | 04.2000 | 08.2003 | 1H0 611 701 , 6K0 611 701 , 1H0 611 701 F | 83.7713-0435.3 |
| | | SEAT | INCA (6K9) (96-03) | 1,7 SDI | 09.1996 | 08.2003 | 1H0 611 701 , 6K0 611 701 , 1H0 611 701 F | 83.7713-0435.3 |
| | | SEAT | INCA (6K9) (96-03) | 1,4 i | 11.1995 | 08.2003 | 1H0 611 701 , 6K0 611 701 , 1H0 611 701 F | 83.7713-0435.3 |
| | | SEAT | INCA (6K9) (96-03) | 1,6 i | 11.1995 | 08.2003 | 1H0 611 701 , 6K0 611 701 , 1H0 611 701 F | 83.7713-0435.3 |
| | | SEAT | INCA (6K9) (96-03) | 1,9 D | 11.1995 | 08.2003 | 1H0 611 701 , 6K0 611 701 , 1H0 611 701 F | 83.7713-0435.3 |
| | | VOLKSWAGEN | POLO Classic (96-01) | 1,8 | 03.1998 | 09.2001 | 1H0 611 701 , 6K0 611 701 , 1H0 611 701 F | 83.7713-0435.3 |
| | | VOLKSWAGEN | POLO Classic (96-01) | 2 | 03.1999 | 09.2001 | 1H0 611 701 , 6K0 611 701 , 1H0 611 701 F | 83.7713-0435.3 |
| | | VOLKSWAGEN | POLO Classic (96-01) | 1,4 | 12.1995 | 09.2001 | 1H0 611 701 , 6K0 611 701 , 1H0 611 701 F | 83.7713-0435.3 |



| | | | | | | | |
|--|--|--|--|--|-------------------------------|--|--|
| | | | | | OE numbers per ATE pn. | | e.g. replaced pn. / miscellaneous |
|--|--|--|--|--|-------------------------------|--|--|



BSV - Brake hose front

| | | | | | | | | |
|----------------|---------------|------------|----------------------|---------|---------|---------|--|----------------|
| 24.5105-0442.3 | 331432 | VOLKSWAGEN | POLO Classic (96-01) | 1,6 | 05.1996 | 09.2001 | 1H0 611 701 , 6K0 611 701 , 1H0 611 701 F | 83.7713-0435.3 |
| | | VOLKSWAGEN | POLO Classic (96-01) | 1,7 SDI | 07.1997 | 09.2001 | 1H0 611 701 , 6K0 611 701 , 1H0 611 701 F | 83.7713-0435.3 |
| | | VOLKSWAGEN | POLO Classic (96-01) | 1,9 SDI | 12.1995 | 09.2001 | 1H0 611 701 , 6K0 611 701 , 1H0 611 701 F | 83.7713-0435.3 |
| | | VOLKSWAGEN | POLO Classic (96-01) | 1,9 TDI | 06.1998 | 09.2001 | 1H0 611 701 , 6K0 611 701 , 1H0 611 701 F | 83.7713-0435.3 |
| | | VOLKSWAGEN | POLO Classic (96-01) | | 09.1996 | 09.2001 | 1H0 611 701 , 6K0 611 701 , 1H0 611 701 F | 83.7713-0435.3 |
| | | VOLKSWAGEN | POLO Classic (96-01) | 1,6 | 11.1995 | 09.2001 | 1H0 611 701 , 6K0 611 701 , 1H0 611 701 F | 83.7713-0435.3 |
| | | VOLKSWAGEN | POLO Variant (97-01) | | 05.1997 | 09.2001 | 1H0 611 701 , 6K0 611 701 , 1H0 611 701 F | 83.7713-0435.3 |
| | | VOLKSWAGEN | POLO Variant (97-01) | 1,4 | 03.1997 | 09.2001 | 1H0 611 701 , 6K0 611 701 , 1H0 611 701 F | 83.7713-0435.3 |
| | | VOLKSWAGEN | POLO Variant (97-01) | 1,8 | 05.1997 | 09.2001 | 1H0 611 701 , 6K0 611 701 , 1H0 611 701 F | 83.7713-0435.3 |
| | | VOLKSWAGEN | POLO Variant (97-01) | 1,9 SDI | 03.1997 | 09.2001 | 1H0 611 701 , 6K0 611 701 , 1H0 611 701 F | 83.7713-0435.3 |
| | | VOLKSWAGEN | POLO Variant (97-01) | 1,9 TDI | 01.1997 | 09.2001 | 1H0 611 701 , 6K0 611 701 , 1H0 611 701 F | 83.7713-0435.3 |
| | | VOLKSWAGEN | POLO Variant (97-01) | | 06.1998 | 09.2001 | 1H0 611 701 , 6K0 611 701 , 1H0 611 701 F | 83.7713-0435.3 |
| | | VOLKSWAGEN | POLO Variant (97-01) | 1,7 SDI | 08.1997 | 09.2001 | 1H0 611 701 , 6K0 611 701 , 1H0 611 701 F | 83.7713-0435.3 |
| | | VOLKSWAGEN | VENTO (92-98) | 1,9 TD | 11.1991 | 09.1998 | 1H0 611 701 , 6K0 611 701 , 1H0 611 701 F | 83.7713-0435.3 |



| | | | | | | | |
|--|--|--|--|--|-------------------------------|--|--|
| | | | | | OE numbers per ATE pn. | | e.g. replaced pn. / miscellaneous |
|--|--|--|--|--|-------------------------------|--|--|



BSV - Brake hose front

| | | | | | | | | | |
|----------------|---------------|-------------|----------------------------|---------|--|---------|---------|--|----------------|
| 24.5105-0442.3 | 331432 | VOLKSWAGEN | VENTO (92-98) | 2,8 VR6 | | 01.1992 | | 1H0 611 701 , 6K0 611 701 , 1H0 611 701 F | 83.7713-0435.3 |
| | | VOLKSWAGEN | VENTO (92-98) | 2 | | 11.1991 | 09.1998 | 1H0 611 701 , 6K0 611 701 , 1H0 611 701 F | 83.7713-0435.3 |
| | | VOLKSWAGEN | VENTO (92-98) | 1,9 TDI | | 02.1996 | 09.1998 | 1H0 611 701 , 6K0 611 701 , 1H0 611 701 F | 83.7713-0435.3 |
| | | VOLKSWAGEN | VENTO (92-98) | 1,9 SDI | | 04.1997 | 09.1998 | 1H0 611 701 , 6K0 611 701 , 1H0 611 701 F | 83.7713-0435.3 |
| | | VOLKSWAGEN | VENTO (92-98) | 1,8 | | 01.1992 | 09.1998 | 1H0 611 701 , 6K0 611 701 , 1H0 611 701 F | 83.7713-0435.3 |
| | | VOLKSWAGEN | VENTO (92-98) | 1,6 | | 09.1992 | 09.1998 | 1H0 611 701 , 6K0 611 701 , 1H0 611 701 F | 83.7713-0435.3 |
| | | VOLKSWAGEN | VENTO (92-98) | 1,9 TDI | | 07.1993 | 09.1998 | 1H0 611 701 , 6K0 611 701 , 1H0 611 701 F | 83.7713-0435.3 |
| | | VOLKSWAGEN | VENTO (92-98) | 1,4 | | 11.1991 | 09.1998 | 1H0 611 701 , 6K0 611 701 , 1H0 611 701 F | 83.7713-0435.3 |
| | | VOLKSWAGEN | VENTO (92-98) | 1,9 D | | 11.1991 | 09.1998 | 1H0 611 701 , 6K0 611 701 , 1H0 611 701 F | 83.7713-0435.3 |
| | | Classic PKW | VOLKSWAGEN CORRADO (88-95) | 2,0 16V | | 08.1991 | 07.1995 | 1H0 611 701 , 6K0 611 701 , 1H0 611 701 F | 83.7713-0435.3 |
| | | Classic PKW | VOLKSWAGEN CORRADO (88-95) | 1,8 G60 | | | 09.1993 | 1H0 611 701 , 6K0 611 701 , 1H0 611 701 F | 83.7713-0435.3 |
| | | Classic PKW | VOLKSWAGEN CORRADO (88-95) | 2,9 VR6 | | 08.1991 | 07.1995 | 1H0 611 701 , 6K0 611 701 , 1H0 611 701 F | 83.7713-0435.3 |
| | | Classic PKW | VOLKSWAGEN CORRADO (88-95) | 2 | | 04.1993 | 07.1995 | 1H0 611 701 , 6K0 611 701 , 1H0 611 701 F | 83.7713-0435.3 |
| | | Classic PKW | VOLKSWAGEN CORRADO (88-95) | 1,8 16V | | | 07.1992 | 1H0 611 701 , 6K0 611 701 , 1H0 611 701 F | 83.7713-0435.3 |



| | | | | | | | |
|--|--|--|--|--|-------------------------------|--|--|
| | | | | | OE numbers per ATE pn. | | e.g. replaced pn. / miscellaneous |
|--|--|--|--|--|-------------------------------|--|--|



BSV - Brake hose front

| | | | | | | | | |
|----------------|---------------|------|------------------------|----------|---------|---------|--|----------------|
| 24.5143-0564.3 | 331433 | AUDI | A3 (8P) Cabrio (08-13) | 2,0 TDI | 04.2008 | 08.2013 | 1K0 611 701 B , 1K0 611 701 1K0 611 701 K , 1K0 611 701 H , 1K0 611 701 M , 1Q0 611 701 D | 83.7847-0563.3 |
| | | AUDI | A3 (8P) Cabrio (08-13) | 1,9 TDI | 04.2008 | 08.2013 | 1K0 611 701 B , 1K0 611 701 1K0 611 701 K , 1K0 611 701 H , 1K0 611 701 M , 1Q0 611 701 D | 83.7847-0563.3 |
| | | AUDI | A3 (8P) Cabrio (08-13) | 1,8 TFSI | 04.2008 | 08.2013 | 1K0 611 701 B , 1K0 611 701 1K0 611 701 K , 1K0 611 701 H , 1K0 611 701 M , 1Q0 611 701 D | 83.7847-0563.3 |
| | | AUDI | A3 (8P) Cabrio (08-13) | 1,6 TDI | 05.2009 | 08.2013 | 1K0 611 701 B , 1K0 611 701 1K0 611 701 K , 1K0 611 701 H , 1K0 611 701 M , 1Q0 611 701 D | 83.7847-0563.3 |
| | | AUDI | A3 (8P) Cabrio (08-13) | 1,2 TSI | 03.2010 | 08.2013 | 1K0 611 701 B , 1K0 611 701 1K0 611 701 K , 1K0 611 701 H , 1K0 611 701 M , 1Q0 611 701 D | 83.7847-0563.3 |
| | | AUDI | A3 (8P) Cabrio (08-13) | 1,4 TFSI | 01.2011 | 08.2013 | 1K0 611 701 B , 1K0 611 701 1K0 611 701 K , 1K0 611 701 H , 1K0 611 701 M , 1Q0 611 701 D | 83.7847-0563.3 |
| | | AUDI | A3 (8P) Cabrio (08-13) | 2,0 TFSI | 04.2008 | 08.2013 | 1K0 611 701 B , 1K0 611 701 1K0 611 701 K , 1K0 611 701 H , 1K0 611 701 M , 1Q0 611 701 D | 83.7847-0563.3 |
| | | AUDI | A3 (8P) Cabrio (08-13) | 1,6 | 09.2008 | 08.2013 | 1K0 611 701 B , 1K0 611 701 1K0 611 701 K , 1K0 611 701 H , 1K0 611 701 M , 1Q0 611 701 D | 83.7847-0563.3 |



| | | | | | | | |
|--|--|--|--|--|-------------------------------|--|--|
| | | | | | OE numbers per ATE pn. | | e.g. replaced pn. / miscellaneous |
|--|--|--|--|--|-------------------------------|--|--|



BSV - Brake hose front

| | | | | | | | | |
|----------------|---------------|------|--------------------------------|------------------|---------|---------|---|----------------|
| 24.5143-0564.3 | 331433 | AUDI | A3 / A3 (8P) Sportback (03-13) | 3,2 quattro | 07.2003 | 08.2013 | 1K0 611 701 B , 1K0 611 701 K , 1K0 611 701 H , 1K0 611 701 M , 1Q0 611 701 D | 83.7847-0563.3 |
| | | AUDI | A3 / A3 (8P) Sportback (03-13) | 2,0 TDI | 03.2006 | 08.2013 | 1K0 611 701 B , 1K0 611 701 K , 1K0 611 701 H , 1K0 611 701 M , 1Q0 611 701 D | 83.7847-0563.3 |
| | | AUDI | A3 / A3 (8P) Sportback (03-13) | | 06.2006 | 06.2008 | 1K0 611 701 B , 1K0 611 701 K , 1K0 611 701 H , 1K0 611 701 M , 1Q0 611 701 D | 83.7847-0563.3 |
| | | AUDI | A3 / A3 (8P) Sportback (03-13) | 2,0 FSI | 05.2003 | 08.2013 | 1K0 611 701 B , 1K0 611 701 K , 1K0 611 701 H , 1K0 611 701 M , 1Q0 611 701 D | 83.7847-0563.3 |
| | | AUDI | A3 / A3 (8P) Sportback (03-13) | S3 | 11.2006 | 08.2013 | 1K0 611 701 B , 1K0 611 701 K , 1K0 611 701 H , 1K0 611 701 M , 1Q0 611 701 D | 83.7847-0563.3 |
| | | AUDI | A3 / A3 (8P) Sportback (03-13) | 1,9 TDI | 06.2003 | 08.2013 | 1K0 611 701 B , 1K0 611 701 K , 1K0 611 701 H , 1K0 611 701 M , 1Q0 611 701 D | 83.7847-0563.3 |
| | | AUDI | A3 / A3 (8P) Sportback (03-13) | 1,8 TFSI quattro | 05.2008 | 08.2013 | 1K0 611 701 B , 1K0 611 701 K , 1K0 611 701 H , 1K0 611 701 M , 1Q0 611 701 D | 83.7847-0563.3 |
| | | AUDI | A3 / A3 (8P) Sportback (03-13) | 1,8 TFSI | 01.2007 | 08.2013 | 1K0 611 701 B , 1K0 611 701 K , 1K0 611 701 H , 1K0 611 701 M , 1Q0 611 701 D | 83.7847-0563.3 |



| | | | | | | | |
|--|--|--|--|--|-------------------------------|--|--|
| | | | | | OE numbers per ATE pn. | | e.g. replaced pn. / miscellaneous |
|--|--|--|--|--|-------------------------------|--|--|



BSV - Brake hose front

| | | | | | | | | |
|----------------|---------------|------|--------------------------------|------------------|---------|---------|---|----------------|
| 24.5143-0564.3 | 331433 | AUDI | A3 / A3 (8P) Sportback (03-13) | 1,6 TDI | 05.2009 | 08.2013 | 1K0 611 701 B , 1K0 611 701 K , 1K0 611 701 H , 1K0 611 701 M , 1Q0 611 701 D | 83.7847-0563.3 |
| | | AUDI | A3 / A3 (8P) Sportback (03-13) | S3 | 07.2008 | 08.2013 | 1K0 611 701 B , 1K0 611 701 K , 1K0 611 701 H , 1K0 611 701 M , 1Q0 611 701 D | 83.7847-0563.3 |
| | | AUDI | A3 / A3 (8P) Sportback (03-13) | 2,0 TDI quattro | 05.2003 | 08.2013 | 1K0 611 701 B , 1K0 611 701 K , 1K0 611 701 H , 1K0 611 701 M , 1Q0 611 701 D | 83.7847-0563.3 |
| | | AUDI | A3 / A3 (8P) Sportback (03-13) | 2,0 TFSI quattro | 06.2004 | 08.2013 | 1K0 611 701 B , 1K0 611 701 K , 1K0 611 701 H , 1K0 611 701 M , 1Q0 611 701 D | 83.7847-0563.3 |
| | | AUDI | A3 / A3 (8P) Sportback (03-13) | 2,0 TFSI | 06.2004 | 08.2013 | 1K0 611 701 B , 1K0 611 701 K , 1K0 611 701 H , 1K0 611 701 M , 1Q0 611 701 D | 83.7847-0563.3 |
| | | AUDI | A3 / A3 (8P) Sportback (03-13) | 2,0 TDI quattro | 08.2004 | 08.2013 | 1K0 611 701 B , 1K0 611 701 K , 1K0 611 701 H , 1K0 611 701 M , 1Q0 611 701 D | 83.7847-0563.3 |
| | | AUDI | A3 / A3 (8P) Sportback (03-13) | 2,0 TDI | 05.2003 | 08.2013 | 1K0 611 701 B , 1K0 611 701 K , 1K0 611 701 H , 1K0 611 701 M , 1Q0 611 701 D | 83.7847-0563.3 |
| | | AUDI | A3 / A3 (8P) Sportback (03-13) | 1,4 TFSI | 07.2007 | 08.2013 | 1K0 611 701 B , 1K0 611 701 K , 1K0 611 701 H , 1K0 611 701 M , 1Q0 611 701 D | 83.7847-0563.3 |



| | | | | | | | |
|--|--|--|--|--|-------------------------------|--|--|
| | | | | | OE numbers per ATE pn. | | e.g. replaced pn. / miscellaneous |
|--|--|--|--|--|-------------------------------|--|--|



BSV - Brake hose front

| | | | | | | | | |
|----------------|---------------|------|--------------------------------|-----------------|---------|---------|---|----------------|
| 24.5143-0564.3 | 331433 | AUDI | A3 / A3 (8P) Sportback (03-13) | 1,2 TSI | 04.2010 | 08.2013 | 1K0 611 701 B , 1K0 611 701 K , 1K0 611 701 H , 1K0 611 701 M , 1Q0 611 701 D | 83.7847-0563.3 |
| | | AUDI | A3 / A3 (8P) Sportback (03-13) | 2,0 TDI quattro | 03.2006 | 08.2013 | 1K0 611 701 B , 1K0 611 701 K , 1K0 611 701 H , 1K0 611 701 M , 1Q0 611 701 D | 83.7847-0563.3 |
| | | AUDI | A3 / A3 (8P) Sportback (03-13) | 1,6 FSI | 08.2003 | 08.2013 | 1K0 611 701 B , 1K0 611 701 K , 1K0 611 701 H , 1K0 611 701 M , 1Q0 611 701 D | 83.7847-0563.3 |
| | | AUDI | A3 / A3 (8P) Sportback (03-13) | 1,6 | 05.2003 | 08.2013 | 1K0 611 701 B , 1K0 611 701 K , 1K0 611 701 H , 1K0 611 701 M , 1Q0 611 701 D | 83.7847-0563.3 |
| | | SEAT | ALTEA (5P1) (04-15) | 2,0 TFSI | 03.2006 | | 1K0 611 701 B , 1K0 611 701 K , 1K0 611 701 H , 1K0 611 701 M , 1Q0 611 701 D | 83.7847-0563.3 |
| | | SEAT | ALTEA (5P1) (04-15) | 2,0 TDI | 03.2006 | | 1K0 611 701 B , 1K0 611 701 K , 1K0 611 701 H , 1K0 611 701 M , 1Q0 611 701 D | 83.7847-0563.3 |
| | | SEAT | ALTEA (5P1) (04-15) | | 03.2004 | | 1K0 611 701 B , 1K0 611 701 K , 1K0 611 701 H , 1K0 611 701 M , 1Q0 611 701 D | 83.7847-0563.3 |
| | | SEAT | ALTEA (5P1) (04-15) | 1,9 TDI | 03.2004 | | 1K0 611 701 B , 1K0 611 701 K , 1K0 611 701 H , 1K0 611 701 M , 1Q0 611 701 D | 83.7847-0563.3 |



| | | | | | | | |
|--|--|--|--|--|-------------------------------|--|--|
| | | | | | OE numbers per ATE pn. | | e.g. replaced pn. / miscellaneous |
|--|--|--|--|--|-------------------------------|--|--|



BSV - Brake hose front

| | | | | | | | |
|----------------|---------------|------|---------------------|-----------|---------|---|----------------|
| 24.5143-0564.3 | 331433 | SEAT | ALTEA (5P1) (04-15) | 1,8 TFSI | 01.2007 | 1K0 611 701 B , 1K0 611 701 K , 1K0 611 701 H , 1K0 611 701 M , 1Q0 611 701 D | 83.7847-0563.3 |
| | | SEAT | ALTEA (5P1) (04-15) | 1,2 TSI | 04.2010 | 1K0 611 701 B , 1K0 611 701 K , 1K0 611 701 H , 1K0 611 701 M , 1Q0 611 701 D | 83.7847-0563.3 |
| | | SEAT | ALTEA (5P1) (04-15) | 1,4 i 16V | 05.2006 | 1K0 611 701 B , 1K0 611 701 K , 1K0 611 701 H , 1K0 611 701 M , 1Q0 611 701 D | 83.7847-0563.3 |
| | | SEAT | ALTEA (5P1) (04-15) | 1,4 TSI | 11.2007 | 1K0 611 701 B , 1K0 611 701 K , 1K0 611 701 H , 1K0 611 701 M , 1Q0 611 701 D | 83.7847-0563.3 |
| | | SEAT | ALTEA (5P1) (04-15) | 1,6 i 16V | 03.2004 | 1K0 611 701 B , 1K0 611 701 K , 1K0 611 701 H , 1K0 611 701 M , 1Q0 611 701 D | 83.7847-0563.3 |
| | | SEAT | ALTEA (5P1) (04-15) | 1,6 LPG | 09.2009 | 1K0 611 701 B , 1K0 611 701 K , 1K0 611 701 H , 1K0 611 701 M , 1Q0 611 701 D | 83.7847-0563.3 |
| | | SEAT | ALTEA (5P1) (04-15) | 1,6 TDI | 10.2009 | 1K0 611 701 B , 1K0 611 701 K , 1K0 611 701 H , 1K0 611 701 M , 1Q0 611 701 D | 83.7847-0563.3 |
| | | SEAT | ALTEA (5P1) (04-15) | 2,0 FSI | 03.2004 | 1K0 611 701 B , 1K0 611 701 K , 1K0 611 701 H , 1K0 611 701 M , 1Q0 611 701 D | 83.7847-0563.3 |



| | | | | | | | |
|--|--|--|--|--|-------------------------------|--|--|
| | | | | | OE numbers per ATE pn. | | e.g. replaced pn. / miscellaneous |
|--|--|--|--|--|-------------------------------|--|--|



BSV - Brake hose front

| | | | | | | | |
|----------------|---------------|------|------------------------|--------------|---------|---|----------------|
| 24.5143-0564.3 | 331433 | SEAT | ALTEA XL (5P5) (06-15) | 2,0 TFSI 4x4 | 06.2007 | 1K0 611 701 B , 1K0 611 701 K , 1K0 611 701 H , 1K0 611 701 M , 1Q0 611 701 D | 83.7847-0563.3 |
| | | SEAT | ALTEA XL (5P5) (06-15) | 2,0 TDI | 10.2006 | 1K0 611 701 B , 1K0 611 701 K , 1K0 611 701 H , 1K0 611 701 M , 1Q0 611 701 D | 83.7847-0563.3 |
| | | SEAT | ALTEA XL (5P5) (06-15) | 1,2 TSI | 04.2010 | 1K0 611 701 B , 1K0 611 701 K , 1K0 611 701 H , 1K0 611 701 M , 1Q0 611 701 D | 83.7847-0563.3 |
| | | SEAT | ALTEA XL (5P5) (06-15) | 2,0 TDI 4x4 | 06.2007 | 1K0 611 701 B , 1K0 611 701 K , 1K0 611 701 H , 1K0 611 701 M , 1Q0 611 701 D | 83.7847-0563.3 |
| | | SEAT | ALTEA XL (5P5) (06-15) | 1,6 LPG | 09.2009 | 1K0 611 701 B , 1K0 611 701 K , 1K0 611 701 H , 1K0 611 701 M , 1Q0 611 701 D | 83.7847-0563.3 |
| | | SEAT | ALTEA XL (5P5) (06-15) | 1,6 i 16V | 10.2006 | 1K0 611 701 B , 1K0 611 701 K , 1K0 611 701 H , 1K0 611 701 M , 1Q0 611 701 D | 83.7847-0563.3 |
| | | SEAT | ALTEA XL (5P5) (06-15) | 2,0 FSI | 10.2006 | 1K0 611 701 B , 1K0 611 701 K , 1K0 611 701 H , 1K0 611 701 M , 1Q0 611 701 D | 83.7847-0563.3 |
| | | SEAT | ALTEA XL (5P5) (06-15) | 1,9 TDI 4x4 | 06.2009 | 1K0 611 701 B , 1K0 611 701 K , 1K0 611 701 H , 1K0 611 701 M , 1Q0 611 701 D | 83.7847-0563.3 |



| | | | | | | | |
|--|--|--|--|--|-------------------------------|--|--|
| | | | | | OE numbers per ATE pn. | | e.g. replaced pn. / miscellaneous |
|--|--|--|--|--|-------------------------------|--|--|



BSV - Brake hose front

| | | | | | | | |
|----------------|---------------|------------|------------------------|-----------------|---------|---|----------------|
| 24.5143-0564.3 | 331433 | SEAT | ALTEA XL (5P5) (06-15) | 1,9 TDI | 10.2006 | 1K0 611 701 B , 1K0 611 701 K , 1K0 611 701 H , 1K0 611 701 M , 1Q0 611 701 D | 83.7847-0563.3 |
| | | SEAT | ALTEA XL (5P5) (06-15) | 1,8 TFSI | 10.2006 | 1K0 611 701 B , 1K0 611 701 K , 1K0 611 701 H , 1K0 611 701 M , 1Q0 611 701 D | 83.7847-0563.3 |
| | | SEAT | ALTEA XL (5P5) (06-15) | 1,6 TDI | 10.2009 | 1K0 611 701 B , 1K0 611 701 K , 1K0 611 701 H , 1K0 611 701 M , 1Q0 611 701 D | 83.7847-0563.3 |
| | | SEAT | ALTEA XL (5P5) (06-15) | 1,4 i 16V | 05.2008 | 1K0 611 701 B , 1K0 611 701 K , 1K0 611 701 H , 1K0 611 701 M , 1Q0 611 701 D | 83.7847-0563.3 |
| | | SEAT | ALTEA XL (5P5) (06-15) | 1,4 TSI | 11.2007 | 1K0 611 701 B , 1K0 611 701 K , 1K0 611 701 H , 1K0 611 701 M , 1Q0 611 701 D | 83.7847-0563.3 |
| | | VOLKSWAGEN | CADDY III (04-15) | 1,6 | 04.2004 | 1K0 611 701 B , 1K0 611 701 K , 1K0 611 701 H , 1K0 611 701 M , 1Q0 611 701 D | 83.7847-0563.3 |
| | | VOLKSWAGEN | CADDY III (04-15) | 1,2 TSI | 09.2010 | 1K0 611 701 B , 1K0 611 701 K , 1K0 611 701 H , 1K0 611 701 M , 1Q0 611 701 D | 83.7847-0563.3 |
| | | VOLKSWAGEN | CADDY III (04-15) | 2,0 TDI 4motion | 10.2010 | 1K0 611 701 B , 1K0 611 701 K , 1K0 611 701 H , 1K0 611 701 M , 1Q0 611 701 D | 83.7847-0563.3 |



| | | | | | | | |
|--|--|--|--|--|------------------------|--|-----------------------------------|
| | | | | | OE numbers per ATE pn. | | e.g. replaced pn. / miscellaneous |
|--|--|--|--|--|------------------------|--|-----------------------------------|



BSV - Brake hose front

| | | | | | | | |
|----------------|---------------|------------|-------------------|--------------|---------|---|----------------|
| 24.5143-0564.3 | 331433 | VOLKSWAGEN | CADDY III (04-15) | 2,0 TDI | 10.2010 | 1K0 611 701 B , 1K0 611 701 K , 1K0 611 701 H , 1K0 611 701 M , 1Q0 611 701 D | 83.7847-0563.3 |
| | | VOLKSWAGEN | CADDY III (04-15) | | 09.2007 | 1K0 611 701 B , 1K0 611 701 K , 1K0 611 701 H , 1K0 611 701 M , 1Q0 611 701 D | 83.7847-0563.3 |
| | | VOLKSWAGEN | CADDY III (04-15) | | 05.2012 | 1K0 611 701 B , 1K0 611 701 K , 1K0 611 701 H , 1K0 611 701 M , 1Q0 611 701 D | 83.7847-0563.3 |
| | | VOLKSWAGEN | CADDY III (04-15) | 1,4 16V | 05.2006 | 1K0 611 701 B , 1K0 611 701 K , 1K0 611 701 H , 1K0 611 701 M , 1Q0 611 701 D | 83.7847-0563.3 |
| | | VOLKSWAGEN | CADDY III (04-15) | 1,9 TDI | 09.2005 | 1K0 611 701 B , 1K0 611 701 K , 1K0 611 701 H , 1K0 611 701 M , 1Q0 611 701 D | 83.7847-0563.3 |
| | | VOLKSWAGEN | CADDY III (04-15) | 1,6 TDI | 08.2010 | 1K0 611 701 B , 1K0 611 701 K , 1K0 611 701 H , 1K0 611 701 M , 1Q0 611 701 D | 83.7847-0563.3 |
| | | VOLKSWAGEN | CADDY III (04-15) | 2,0 SDI | 02.2004 | 1K0 611 701 B , 1K0 611 701 K , 1K0 611 701 H , 1K0 611 701 M , 1Q0 611 701 D | 83.7847-0563.3 |
| | | VOLKSWAGEN | CADDY III (04-15) | 2,0 Eco Fuel | 04.2006 | 1K0 611 701 B , 1K0 611 701 K , 1K0 611 701 H , 1K0 611 701 M , 1Q0 611 701 D | 83.7847-0563.3 |



| | | | | | | | |
|--|--|--|--|--|-------------------------------|--|--|
| | | | | | OE numbers per ATE pn. | | e.g. replaced pn. / miscellaneous |
|--|--|--|--|--|-------------------------------|--|--|



BSV - Brake hose front

| | | | | | | | |
|----------------|---------------|------------|-------------------|-----------------|---------|--|----------------|
| 24.5143-0564.3 | 331433 | VOLKSWAGEN | CADDY III (04-15) | 1,9 TDI 4motion | 05.2008 | 1K0 611 701 B , 1K0 611 701 1K0 611 701 K , 1K0 611 701 H , 1K0 611 701 M , 1Q0 611 701 D | 83.7847-0563.3 |
| | | VOLKSWAGEN | CADDY III (04-15) | 1,9 TDI | 02.2004 | 1K0 611 701 B , 1K0 611 701 1K0 611 701 K , 1K0 611 701 H , 1K0 611 701 M , 1Q0 611 701 D | 83.7847-0563.3 |
| | | VOLKSWAGEN | CADDY III (04-15) | 1,4 | 02.2004 | 1K0 611 701 B , 1K0 611 701 1K0 611 701 K , 1K0 611 701 H , 1K0 611 701 M , 1Q0 611 701 D | 83.7847-0563.3 |
| | | VOLKSWAGEN | EOS (06-) | 1,6 FSI | 05.2006 | 1K0 611 701 B , 1K0 611 701 1K0 611 701 K , 1K0 611 701 H , 1K0 611 701 M , 1Q0 611 701 D | 83.7847-0563.3 |
| | | VOLKSWAGEN | EOS (06-) | 2,0 TFSI | 05.2006 | 1K0 611 701 B , 1K0 611 701 1K0 611 701 K , 1K0 611 701 H , 1K0 611 701 M , 1Q0 611 701 D | 83.7847-0563.3 |
| | | VOLKSWAGEN | EOS (06-) | 1,4 TSI | 05.2008 | 1K0 611 701 B , 1K0 611 701 1K0 611 701 K , 1K0 611 701 H , 1K0 611 701 M , 1Q0 611 701 D | 83.7847-0563.3 |
| | | VOLKSWAGEN | EOS (06-) | | 10.2007 | 1K0 611 701 B , 1K0 611 701 1K0 611 701 K , 1K0 611 701 H , 1K0 611 701 M , 1Q0 611 701 D | 83.7847-0563.3 |
| | | VOLKSWAGEN | EOS (06-) | 2,0 TDI | 05.2006 | 1K0 611 701 B , 1K0 611 701 1K0 611 701 K , 1K0 611 701 H , 1K0 611 701 M , 1Q0 611 701 D | 83.7847-0563.3 |



| | | | | | | | |
|--|--|--|--|--|-------------------------------|--|--|
| | | | | | OE numbers per ATE pn. | | e.g. replaced pn. / miscellaneous |
|--|--|--|--|--|-------------------------------|--|--|



BSV - Brake hose front

| | | | | | | | | |
|----------------|---------------|------------|-------------------|-------------|---------|---------|---|----------------|
| 24.5143-0564.3 | 331433 | VOLKSWAGEN | EOS (06-) | 2,0 TDI 16V | 05.2008 | | 1K0 611 701 B , 1K0 611 701 K , 1K0 611 701 H , 1K0 611 701 M , 1Q0 611 701 D | 83.7847-0563.3 |
| | | VOLKSWAGEN | EOS (06-) | 2,0 TFSI | 11.2013 | | 1K0 611 701 B , 1K0 611 701 K , 1K0 611 701 H , 1K0 611 701 M , 1Q0 611 701 D | 83.7847-0563.3 |
| | | VOLKSWAGEN | EOS (06-) | 2,0 TSI | 11.2009 | | 1K0 611 701 B , 1K0 611 701 K , 1K0 611 701 H , 1K0 611 701 M , 1Q0 611 701 D | 83.7847-0563.3 |
| | | VOLKSWAGEN | EOS (06-) | 3,2 V6 | 05.2006 | | 1K0 611 701 B , 1K0 611 701 K , 1K0 611 701 H , 1K0 611 701 M , 1Q0 611 701 D | 83.7847-0563.3 |
| | | VOLKSWAGEN | EOS (06-) | 3,6 V6 | 05.2009 | | 1K0 611 701 B , 1K0 611 701 K , 1K0 611 701 H , 1K0 611 701 M , 1Q0 611 701 D | 83.7847-0563.3 |
| | | VOLKSWAGEN | EOS (06-) | 2,0 FSI | 05.2006 | | 1K0 611 701 B , 1K0 611 701 K , 1K0 611 701 H , 1K0 611 701 M , 1Q0 611 701 D | 83.7847-0563.3 |
| | | VOLKSWAGEN | EOS (06-) | 2,0 TDI | 11.2010 | | 1K0 611 701 B , 1K0 611 701 K , 1K0 611 701 H , 1K0 611 701 M , 1Q0 611 701 D | 83.7847-0563.3 |
| | | VOLKSWAGEN | GOLF Plus (05-14) | 1,4 16V | 01.2005 | 01.2014 | 1K0 611 701 B , 1K0 611 701 K , 1K0 611 701 H , 1K0 611 701 M , 1Q0 611 701 D | 83.7847-0563.3 |



| | | | | | | | |
|--|--|--|--|--|-------------------------------|--|--|
| | | | | | OE numbers per ATE pn. | | e.g. replaced pn. / miscellaneous |
|--|--|--|--|--|-------------------------------|--|--|



BSV - Brake hose front

| | | | | | | | | |
|----------------|---------------|------------|-------------------|------------|---------|---------|--|----------------|
| 24.5143-0564.3 | 331433 | VOLKSWAGEN | GOLF Plus (05-14) | 1,9 TDI | 05.2005 | 01.2014 | 1K0 611 701 B , 1K0 611 701 1K0 611 701 K , 1K0 611 701 H , 1K0 611 701 M , 1Q0 611 701 D | 83.7847-0563.3 |
| | | VOLKSWAGEN | GOLF Plus (05-14) | 1,6 TDI | 02.2009 | 01.2014 | 1K0 611 701 B , 1K0 611 701 1K0 611 701 K , 1K0 611 701 H , 1K0 611 701 M , 1Q0 611 701 D | 83.7847-0563.3 |
| | | VOLKSWAGEN | GOLF Plus (05-14) | 1,6 FSI | 01.2005 | 01.2014 | 1K0 611 701 B , 1K0 611 701 1K0 611 701 K , 1K0 611 701 H , 1K0 611 701 M , 1Q0 611 701 D | 83.7847-0563.3 |
| | | VOLKSWAGEN | GOLF Plus (05-14) | 1,6 BiFuel | 05.2009 | 01.2014 | 1K0 611 701 B , 1K0 611 701 1K0 611 701 K , 1K0 611 701 H , 1K0 611 701 M , 1Q0 611 701 D | 83.7847-0563.3 |
| | | VOLKSWAGEN | GOLF Plus (05-14) | 1,6 | 05.2005 | 01.2014 | 1K0 611 701 B , 1K0 611 701 1K0 611 701 K , 1K0 611 701 H , 1K0 611 701 M , 1Q0 611 701 D | 83.7847-0563.3 |
| | | VOLKSWAGEN | GOLF Plus (05-14) | 1,4 TSI | 06.2008 | 01.2014 | 1K0 611 701 B , 1K0 611 701 1K0 611 701 K , 1K0 611 701 H , 1K0 611 701 M , 1Q0 611 701 D | 83.7847-0563.3 |
| | | VOLKSWAGEN | GOLF Plus (05-14) | | 06.2007 | 01.2014 | 1K0 611 701 B , 1K0 611 701 1K0 611 701 K , 1K0 611 701 H , 1K0 611 701 M , 1Q0 611 701 D | 83.7847-0563.3 |
| | | VOLKSWAGEN | GOLF Plus (05-14) | 1,4 FSI | 07.2005 | 01.2014 | 1K0 611 701 B , 1K0 611 701 1K0 611 701 K , 1K0 611 701 H , 1K0 611 701 M , 1Q0 611 701 D | 83.7847-0563.3 |



| | | | | | | | |
|--|--|--|--|--|-------------------------------|--|--|
| | | | | | OE numbers per ATE pn. | | e.g. replaced pn. / miscellaneous |
|--|--|--|--|--|-------------------------------|--|--|



BSV - Brake hose front

| | | | | | | | | |
|----------------|---------------|------------|-------------------|---------|---------|---------|--|----------------|
| 24.5143-0564.3 | 331433 | VOLKSWAGEN | GOLF Plus (05-14) | 1,2 TSI | 08.2009 | 01.2014 | 1K0 611 701 B , 1K0 611 701 1K0 611 701 K , 1K0 611 701 H , 1K0 611 701 M , 1Q0 611 701 D | 83.7847-0563.3 |
| | | VOLKSWAGEN | GOLF Plus (05-14) | 2,0 FSI | 05.2005 | 01.2014 | 1K0 611 701 B , 1K0 611 701 1K0 611 701 K , 1K0 611 701 H , 1K0 611 701 M , 1Q0 611 701 D | 83.7847-0563.3 |
| | | VOLKSWAGEN | GOLF Plus (05-14) | 1,4 TSI | 05.2006 | 01.2014 | 1K0 611 701 B , 1K0 611 701 1K0 611 701 K , 1K0 611 701 H , 1K0 611 701 M , 1Q0 611 701 D | 83.7847-0563.3 |
| | | VOLKSWAGEN | GOLF Plus (05-14) | 2,0 TDI | 05.2005 | 01.2014 | 1K0 611 701 B , 1K0 611 701 1K0 611 701 K , 1K0 611 701 H , 1K0 611 701 M , 1Q0 611 701 D | 83.7847-0563.3 |
| | | VOLKSWAGEN | GOLF Plus (05-14) | | 01.2009 | 01.2014 | 1K0 611 701 B , 1K0 611 701 1K0 611 701 K , 1K0 611 701 H , 1K0 611 701 M , 1Q0 611 701 D | 83.7847-0563.3 |
| | | VOLKSWAGEN | GOLF Plus (05-14) | 1,9 TDI | 01.2005 | 01.2014 | 1K0 611 701 B , 1K0 611 701 1K0 611 701 K , 1K0 611 701 H , 1K0 611 701 M , 1Q0 611 701 D | 83.7847-0563.3 |
| | | VOLKSWAGEN | GOLF Plus (05-14) | 2,0 TDI | 01.2005 | 01.2014 | 1K0 611 701 B , 1K0 611 701 1K0 611 701 K , 1K0 611 701 H , 1K0 611 701 M , 1Q0 611 701 D | 83.7847-0563.3 |
| | | VOLKSWAGEN | GOLF V (03-08) | 3,2 R32 | 11.2005 | 09.2008 | 1K0 611 701 B , 1K0 611 701 1K0 611 701 K , 1K0 611 701 H , 1K0 611 701 M , 1Q0 611 701 D | 83.7847-0563.3 |



| | | | | | | | |
|--|--|--|--|--|-------------------------------|--|--|
| | | | | | OE numbers per ATE pn. | | e.g. replaced pn. / miscellaneous |
|--|--|--|--|--|-------------------------------|--|--|



BSV - Brake hose front

| | | | | | | | | |
|----------------|---------------|------------|----------------|-----------------|---------|---------|---|----------------|
| 24.5143-0564.3 | 331433 | VOLKSWAGEN | GOLF V (03-08) | 1,4 TSI | 11.2005 | 09.2008 | 1K0 611 701 B , 1K0 611 701 K , 1K0 611 701 H , 1K0 611 701 M , 1Q0 611 701 D | 83.7847-0563.3 |
| | | VOLKSWAGEN | GOLF V (03-08) | 1,6 FSI | 10.2003 | 09.2008 | 1K0 611 701 B , 1K0 611 701 K , 1K0 611 701 H , 1K0 611 701 M , 1Q0 611 701 D | 83.7847-0563.3 |
| | | VOLKSWAGEN | GOLF V (03-08) | 1,9 TDI | 10.2003 | 09.2008 | 1K0 611 701 B , 1K0 611 701 K , 1K0 611 701 H , 1K0 611 701 M , 1Q0 611 701 D | 83.7847-0563.3 |
| | | VOLKSWAGEN | GOLF V (03-08) | 1,9 TDI 4motion | 08.2004 | 09.2008 | 1K0 611 701 B , 1K0 611 701 K , 1K0 611 701 H , 1K0 611 701 M , 1Q0 611 701 D | 83.7847-0563.3 |
| | | VOLKSWAGEN | GOLF V (03-08) | 1,4 TSI | 05.2007 | 09.2008 | 1K0 611 701 B , 1K0 611 701 K , 1K0 611 701 H , 1K0 611 701 M , 1Q0 611 701 D | 83.7847-0563.3 |
| | | VOLKSWAGEN | GOLF V (03-08) | 2,0 FSI 4motion | 08.2004 | 09.2008 | 1K0 611 701 B , 1K0 611 701 K , 1K0 611 701 H , 1K0 611 701 M , 1Q0 611 701 D | 83.7847-0563.3 |
| | | VOLKSWAGEN | GOLF V (03-08) | 1,6 16V | 01.2004 | 09.2008 | 1K0 611 701 B , 1K0 611 701 K , 1K0 611 701 H , 1K0 611 701 M , 1Q0 611 701 D | 83.7847-0563.3 |
| | | VOLKSWAGEN | GOLF V (03-08) | 2,0 TDI 4motion | 08.2004 | 09.2008 | 1K0 611 701 B , 1K0 611 701 K , 1K0 611 701 H , 1K0 611 701 M , 1Q0 611 701 D | 83.7847-0563.3 |



| | | | | | | | |
|--|--|--|--|--|-------------------------------|--|--|
| | | | | | OE numbers per ATE pn. | | e.g. replaced pn. / miscellaneous |
|--|--|--|--|--|-------------------------------|--|--|



BSV - Brake hose front

| | | | | | | | | |
|----------------|---------------|------------|----------------|---------|---------|---------|---|----------------|
| 24.5143-0564.3 | 331433 | VOLKSWAGEN | GOLF V (03-08) | 2,0 TDI | 11.2005 | 09.2008 | 1K0 611 701 B , 1K0 611 701 K , 1K0 611 701 H , 1K0 611 701 M , 1Q0 611 701 D | 83.7847-0563.3 |
| | | VOLKSWAGEN | GOLF V (03-08) | | 10.2003 | 09.2008 | 1K0 611 701 B , 1K0 611 701 K , 1K0 611 701 H , 1K0 611 701 M , 1Q0 611 701 D | 83.7847-0563.3 |
| | | VOLKSWAGEN | GOLF V (03-08) | 2,0 SDI | 01.2004 | 09.2008 | 1K0 611 701 B , 1K0 611 701 K , 1K0 611 701 H , 1K0 611 701 M , 1Q0 611 701 D | 83.7847-0563.3 |
| | | VOLKSWAGEN | GOLF V (03-08) | 2,0 GTI | 09.2006 | 09.2008 | 1K0 611 701 B , 1K0 611 701 K , 1K0 611 701 H , 1K0 611 701 M , 1Q0 611 701 D | 83.7847-0563.3 |
| | | VOLKSWAGEN | GOLF V (03-08) | | 09.2004 | 09.2008 | 1K0 611 701 B , 1K0 611 701 K , 1K0 611 701 H , 1K0 611 701 M , 1Q0 611 701 D | 83.7847-0563.3 |
| | | VOLKSWAGEN | GOLF V (03-08) | 2,0 FSI | 10.2003 | 09.2008 | 1K0 611 701 B , 1K0 611 701 K , 1K0 611 701 H , 1K0 611 701 M , 1Q0 611 701 D | 83.7847-0563.3 |
| | | VOLKSWAGEN | GOLF V (03-08) | 1,4 FSI | 10.2003 | 09.2008 | 1K0 611 701 B , 1K0 611 701 K , 1K0 611 701 H , 1K0 611 701 M , 1Q0 611 701 D | 83.7847-0563.3 |
| | | VOLKSWAGEN | GOLF V (03-08) | 1,4 16V | 10.2003 | 09.2008 | 1K0 611 701 B , 1K0 611 701 K , 1K0 611 701 H , 1K0 611 701 M , 1Q0 611 701 D | 83.7847-0563.3 |



| | | | | | | |
|--|--|--|--|--|-------------------------------|---------------------------------------|
| | | | | | OE numbers per ATE pn. | e.g. replaced pn. / miscellaneous |
|--|--|--|--|--|-------------------------------|---------------------------------------|



BSV - Brake hose front

| | | | | | | | | |
|----------------|---------------|------------|------------------------|-----------------|---------|---------|---|----------------|
| 24.5143-0564.3 | 331433 | VOLKSWAGEN | GOLF V (03-08) | 1,9 TDI | 05.2004 | 09.2008 | 1K0 611 701 B , 1K0 611 701 K , 1K0 611 701 H , 1K0 611 701 M , 1Q0 611 701 D | 83.7847-0563.3 |
| | | VOLKSWAGEN | GOLF V (03-08) | 1,4 TSI | 05.2006 | 09.2008 | 1K0 611 701 B , 1K0 611 701 K , 1K0 611 701 H , 1K0 611 701 M , 1Q0 611 701 D | 83.7847-0563.3 |
| | | VOLKSWAGEN | GOLF V Variant (07-09) | 1,6 | 05.2007 | 06.2009 | 1K0 611 701 B , 1K0 611 701 K , 1K0 611 701 H , 1K0 611 701 M , 1Q0 611 701 D | 83.7847-0563.3 |
| | | VOLKSWAGEN | GOLF V Variant (07-09) | 2 | 06.2007 | 06.2009 | 1K0 611 701 B , 1K0 611 701 K , 1K0 611 701 H , 1K0 611 701 M , 1Q0 611 701 D | 83.7847-0563.3 |
| | | VOLKSWAGEN | GOLF V Variant (07-09) | 1,9 TDI 4motion | 12.2007 | 06.2009 | 1K0 611 701 B , 1K0 611 701 K , 1K0 611 701 H , 1K0 611 701 M , 1Q0 611 701 D | 83.7847-0563.3 |
| | | VOLKSWAGEN | GOLF V Variant (07-09) | 1,9 TDI | 05.2007 | 06.2009 | 1K0 611 701 B , 1K0 611 701 K , 1K0 611 701 H , 1K0 611 701 M , 1Q0 611 701 D | 83.7847-0563.3 |
| | | VOLKSWAGEN | GOLF V Variant (07-09) | 1,4 TSI | 05.2007 | 06.2009 | 1K0 611 701 B , 1K0 611 701 K , 1K0 611 701 H , 1K0 611 701 M , 1Q0 611 701 D | 83.7847-0563.3 |
| | | VOLKSWAGEN | GOLF V Variant (07-09) | 1,4 | 06.2007 | 06.2009 | 1K0 611 701 B , 1K0 611 701 K , 1K0 611 701 H , 1K0 611 701 M , 1Q0 611 701 D | 83.7847-0563.3 |



| | | | | | | | |
|--|--|--|--|--|-------------------------------|--|--|
| | | | | | OE numbers per ATE pn. | | e.g. replaced pn. / miscellaneous |
|--|--|--|--|--|-------------------------------|--|--|



BSV - Brake hose front

| | | | | | | | | |
|----------------|---------------|------------|------------------------|---------|---------|---------|---|----------------|
| 24.5143-0564.3 | 331433 | VOLKSWAGEN | GOLF V Variant (07-09) | 1,4 TSI | 07.2008 | 06.2009 | 1K0 611 701 B , 1K0 611 701 K , 1K0 611 701 H , 1K0 611 701 M , 1Q0 611 701 D | 83.7847-0563.3 |
| | | VOLKSWAGEN | GOLF V Variant (07-09) | | 06.2007 | 06.2009 | 1K0 611 701 B , 1K0 611 701 K , 1K0 611 701 H , 1K0 611 701 M , 1Q0 611 701 D | 83.7847-0563.3 |
| | | VOLKSWAGEN | GOLF V Variant (07-09) | 2,0 TDI | 05.2007 | 06.2009 | 1K0 611 701 B , 1K0 611 701 K , 1K0 611 701 H , 1K0 611 701 M , 1Q0 611 701 D | 83.7847-0563.3 |
| | | VOLKSWAGEN | GOLF VI (08-) | 2,0 GTi | 04.2009 | | 1K0 611 701 B , 1K0 611 701 K , 1K0 611 701 H , 1K0 611 701 M , 1Q0 611 701 D | 83.7847-0563.3 |
| | | VOLKSWAGEN | GOLF VI (08-) | 1,6 | 10.2008 | | 1K0 611 701 B , 1K0 611 701 K , 1K0 611 701 H , 1K0 611 701 M , 1Q0 611 701 D | 83.7847-0563.3 |
| | | VOLKSWAGEN | GOLF VI (08-) | 1,4 TSI | 10.2008 | | 1K0 611 701 B , 1K0 611 701 K , 1K0 611 701 H , 1K0 611 701 M , 1Q0 611 701 D | 83.7847-0563.3 |
| | | VOLKSWAGEN | GOLF VI (08-) | 1,6 TDI | 02.2009 | | 1K0 611 701 B , 1K0 611 701 K , 1K0 611 701 H , 1K0 611 701 M , 1Q0 611 701 D | 83.7847-0563.3 |
| | | VOLKSWAGEN | GOLF VI (08-) | 1,4 | 10.2008 | | 1K0 611 701 B , 1K0 611 701 K , 1K0 611 701 H , 1K0 611 701 M , 1Q0 611 701 D | 83.7847-0563.3 |



| | | | | | | | |
|--|--|--|--|--|-------------------------------|--|--|
| | | | | | OE numbers per ATE pn. | | e.g. replaced pn. / miscellaneous |
|--|--|--|--|--|-------------------------------|--|--|



BSV - Brake hose front

| | | | | | | | |
|----------------|---------------|------------|-------------------------|-----------------|---------|--|----------------|
| 24.5143-0564.3 | 331433 | VOLKSWAGEN | GOLF VI (08-) | 1,2 TSI | 05.2009 | 1K0 611 701 B , 1K0 611 701 1K0 611 701 K , 1K0 611 701 H , 1K0 611 701 M , 1Q0 611 701 D | 83.7847-0563.3 |
| | | VOLKSWAGEN | GOLF VI (08-) | 1,8 TSI | 06.2009 | 1K0 611 701 B , 1K0 611 701 1K0 611 701 K , 1K0 611 701 H , 1K0 611 701 M , 1Q0 611 701 D | 83.7847-0563.3 |
| | | VOLKSWAGEN | GOLF VI (08-) | 2,0 TDI 4motion | 10.2008 | 1K0 611 701 B , 1K0 611 701 1K0 611 701 K , 1K0 611 701 H , 1K0 611 701 M , 1Q0 611 701 D | 83.7847-0563.3 |
| | | VOLKSWAGEN | GOLF VI (08-) | 2,0 TDI | 10.2008 | 1K0 611 701 B , 1K0 611 701 1K0 611 701 K , 1K0 611 701 H , 1K0 611 701 M , 1Q0 611 701 D | 83.7847-0563.3 |
| | | VOLKSWAGEN | GOLF VI (08-) | | 04.2009 | 1K0 611 701 B , 1K0 611 701 1K0 611 701 K , 1K0 611 701 H , 1K0 611 701 M , 1Q0 611 701 D | 83.7847-0563.3 |
| | | VOLKSWAGEN | GOLF VI (08-) | 2,0 R 4motion | 11.2009 | 1K0 611 701 B , 1K0 611 701 1K0 611 701 K , 1K0 611 701 H , 1K0 611 701 M , 1Q0 611 701 D | 83.7847-0563.3 |
| | | VOLKSWAGEN | GOLF VI (08-) | 1,6 BiFuel | 03.2009 | 1K0 611 701 B , 1K0 611 701 1K0 611 701 K , 1K0 611 701 H , 1K0 611 701 M , 1Q0 611 701 D | 83.7847-0563.3 |
| | | VOLKSWAGEN | GOLF VI Cabriolet (11-) | 1,4 TSI | 06.2011 | 1K0 611 701 B , 1K0 611 701 1K0 611 701 K , 1K0 611 701 H , 1K0 611 701 M , 1Q0 611 701 D | 83.7847-0563.3 |



| | | | | | | | |
|--|--|--|--|--|-------------------------------|--|--|
| | | | | | OE numbers per ATE pn. | | e.g. replaced pn. / miscellaneous |
|--|--|--|--|--|-------------------------------|--|--|



BSV - Brake hose front

| | | | | | | | | |
|----------------|---------------|------------|-------------------------|-----------------|---------|---------|--|----------------|
| 24.5143-0564.3 | 331433 | VOLKSWAGEN | GOLF VI Cabriolet (11-) | 2,0 TSI | 06.2011 | | 1K0 611 701 B , 1K0 611 701 1K0 611 701 K , 1K0 611 701 H , 1K0 611 701 M , 1Q0 611 701 D | 83.7847-0563.3 |
| | | VOLKSWAGEN | GOLF VI Cabriolet (11-) | 2,0 TDI | 06.2011 | | 1K0 611 701 B , 1K0 611 701 1K0 611 701 K , 1K0 611 701 H , 1K0 611 701 M , 1Q0 611 701 D | 83.7847-0563.3 |
| | | VOLKSWAGEN | GOLF VI Cabriolet (11-) | 1,6 TDI | 06.2011 | | 1K0 611 701 B , 1K0 611 701 1K0 611 701 K , 1K0 611 701 H , 1K0 611 701 M , 1Q0 611 701 D | 83.7847-0563.3 |
| | | VOLKSWAGEN | GOLF VI Cabriolet (11-) | 1,2 TSI | 06.2011 | | 1K0 611 701 B , 1K0 611 701 1K0 611 701 K , 1K0 611 701 H , 1K0 611 701 M , 1Q0 611 701 D | 83.7847-0563.3 |
| | | VOLKSWAGEN | GOLF VI Cabriolet (11-) | 2,0 R | 01.2013 | | 1K0 611 701 B , 1K0 611 701 1K0 611 701 K , 1K0 611 701 H , 1K0 611 701 M , 1Q0 611 701 D | 83.7847-0563.3 |
| | | VOLKSWAGEN | GOLF VI Variant (09-) | 2,0 TDI | 07.2009 | 11.2011 | 1K0 611 701 B , 1K0 611 701 1K0 611 701 K , 1K0 611 701 H , 1K0 611 701 M , 1Q0 611 701 D | 83.7847-0563.3 |
| | | VOLKSWAGEN | GOLF VI Variant (09-) | 2 | 07.2009 | 11.2011 | 1K0 611 701 B , 1K0 611 701 1K0 611 701 K , 1K0 611 701 H , 1K0 611 701 M , 1Q0 611 701 D | 83.7847-0563.3 |
| | | VOLKSWAGEN | GOLF VI Variant (09-) | 1,6 TDI 4motion | 07.2009 | 11.2011 | 1K0 611 701 B , 1K0 611 701 1K0 611 701 K , 1K0 611 701 H , 1K0 611 701 M , 1Q0 611 701 D | 83.7847-0563.3 |



| | | | | | | | |
|--|--|--|--|--|-------------------------------|--|--|
| | | | | | OE numbers per ATE pn. | | e.g. replaced pn. / miscellaneous |
|--|--|--|--|--|-------------------------------|--|--|



BSV - Brake hose front

| | | | | | | | | |
|----------------|---------------|------------|-----------------------|---------------|---------|---------|---|----------------|
| 24.5143-0564.3 | 331433 | VOLKSWAGEN | GOLF VI Variant (09-) | 1,6 TDI | 07.2009 | 11.2011 | 1K0 611 701 B , 1K0 611 701 K , 1K0 611 701 H , 1K0 611 701 M , 1Q0 611 701 D | 83.7847-0563.3 |
| | | VOLKSWAGEN | GOLF VI Variant (09-) | 1,6 MultiFuel | 07.2009 | 11.2011 | 1K0 611 701 B , 1K0 611 701 K , 1K0 611 701 H , 1K0 611 701 M , 1Q0 611 701 D | 83.7847-0563.3 |
| | | VOLKSWAGEN | GOLF VI Variant (09-) | 1,6 | 07.2009 | 11.2011 | 1K0 611 701 B , 1K0 611 701 K , 1K0 611 701 H , 1K0 611 701 M , 1Q0 611 701 D | 83.7847-0563.3 |
| | | VOLKSWAGEN | GOLF VI Variant (09-) | 1,4 TSI | 07.2009 | 11.2011 | 1K0 611 701 B , 1K0 611 701 K , 1K0 611 701 H , 1K0 611 701 M , 1Q0 611 701 D | 83.7847-0563.3 |
| | | VOLKSWAGEN | GOLF VI Variant (09-) | 1,4 | 07.2009 | 11.2011 | 1K0 611 701 B , 1K0 611 701 K , 1K0 611 701 H , 1K0 611 701 M , 1Q0 611 701 D | 83.7847-0563.3 |
| | | VOLKSWAGEN | GOLF VI Variant (09-) | 1,2 TSI | 08.2009 | 11.2011 | 1K0 611 701 B , 1K0 611 701 K , 1K0 611 701 H , 1K0 611 701 M , 1Q0 611 701 D | 83.7847-0563.3 |
| | | VOLKSWAGEN | JETTA V (05-10) | 2,0 FSI | 08.2005 | 10.2010 | 1K0 611 701 B , 1K0 611 701 K , 1K0 611 701 H , 1K0 611 701 M , 1Q0 611 701 D | 83.7847-0563.3 |
| | | VOLKSWAGEN | JETTA V (05-10) | 1,9 TDI | 08.2005 | 10.2010 | 1K0 611 701 B , 1K0 611 701 K , 1K0 611 701 H , 1K0 611 701 M , 1Q0 611 701 D | 83.7847-0563.3 |



| | | | | | | | |
|--|--|--|--|--|------------------------|--|-----------------------------------|
| | | | | | OE numbers per ATE pn. | | e.g. replaced pn. / miscellaneous |
|--|--|--|--|--|------------------------|--|-----------------------------------|



BSV - Brake hose front

| | | | | | | | | |
|----------------|---------------|------------|-----------------|-----------|---------|---------|---|----------------|
| 24.5143-0564.3 | 331433 | VOLKSWAGEN | JETTA V (05-10) | 1,4 TSI | 07.2008 | 10.2010 | 1K0 611 701 B , 1K0 611 701 K , 1K0 611 701 H , 1K0 611 701 M , 1Q0 611 701 D | 83.7847-0563.3 |
| | | VOLKSWAGEN | JETTA V (05-10) | 2,0 TDI | 08.2005 | 10.2010 | 1K0 611 701 B , 1K0 611 701 K , 1K0 611 701 H , 1K0 611 701 M , 1Q0 611 701 D | 83.7847-0563.3 |
| | | VOLKSWAGEN | JETTA V (05-10) | 1,4 TSI | 06.2006 | 10.2010 | 1K0 611 701 B , 1K0 611 701 K , 1K0 611 701 H , 1K0 611 701 M , 1Q0 611 701 D | 83.7847-0563.3 |
| | | VOLKSWAGEN | JETTA V (05-10) | 1,6 FSI | 08.2005 | 10.2010 | 1K0 611 701 B , 1K0 611 701 K , 1K0 611 701 H , 1K0 611 701 M , 1Q0 611 701 D | 83.7847-0563.3 |
| | | VOLKSWAGEN | JETTA V (05-10) | 1,6 TDI | 06.2009 | 10.2010 | 1K0 611 701 B , 1K0 611 701 K , 1K0 611 701 H , 1K0 611 701 M , 1Q0 611 701 D | 83.7847-0563.3 |
| | | VOLKSWAGEN | JETTA V (05-10) | 2,0 TDI | 09.2005 | 10.2010 | 1K0 611 701 B , 1K0 611 701 K , 1K0 611 701 H , 1K0 611 701 M , 1Q0 611 701 D | 83.7847-0563.3 |
| | | VOLKSWAGEN | JETTA V (05-10) | 1,6 i 16V | 08.2005 | 10.2010 | 1K0 611 701 B , 1K0 611 701 K , 1K0 611 701 H , 1K0 611 701 M , 1Q0 611 701 D | 83.7847-0563.3 |
| | | VOLKSWAGEN | JETTA V (05-10) | 2,5 FSI | 07.2008 | 10.2010 | 1K0 611 701 B , 1K0 611 701 K , 1K0 611 701 H , 1K0 611 701 M , 1Q0 611 701 D | 83.7847-0563.3 |



| | | | | | | | |
|--|--|--|--|--|-------------------------------|--|--|
| | | | | | OE numbers per ATE pn. | | e.g. replaced pn. / miscellaneous |
|--|--|--|--|--|-------------------------------|--|--|



BSV - Brake hose front

| | | | | | | | | | |
|----------------|---------------|------------|-----------------|----------|--|---------|---------|---|----------------|
| 24.5143-0564.3 | 331433 | VOLKSWAGEN | JETTA V (05-10) | 2,0 TFSI | | 10.2005 | 10.2010 | 1K0 611 701 B , 1K0 611 701 K , 1K0 611 701 H , 1K0 611 701 M , 1Q0 611 701 D | 83.7847-0563.3 |
| | | VOLKSWAGEN | JETTA V (05-10) | 1,4 TSI | | 05.2007 | 10.2010 | 1K0 611 701 B , 1K0 611 701 K , 1K0 611 701 H , 1K0 611 701 M , 1Q0 611 701 D | 83.7847-0563.3 |
| | | VOLKSWAGEN | JETTA V (05-10) | 2,0 TDI | | 06.2006 | 10.2010 | 1K0 611 701 B , 1K0 611 701 K , 1K0 611 701 H , 1K0 611 701 M , 1Q0 611 701 D | 83.7847-0563.3 |
| | | VOLKSWAGEN | JETTA VI (10-) | 1,2 TSI | | 04.2011 | 11.2011 | 1K0 611 701 B , 1K0 611 701 K , 1K0 611 701 H , 1K0 611 701 M , 1Q0 611 701 D | 83.7847-0563.3 |
| | | VOLKSWAGEN | JETTA VI (10-) | 1,6 TDI | | 04.2011 | 11.2011 | 1K0 611 701 B , 1K0 611 701 K , 1K0 611 701 H , 1K0 611 701 M , 1Q0 611 701 D | 83.7847-0563.3 |
| | | VOLKSWAGEN | JETTA VI (10-) | 2 | | 06.2010 | 11.2011 | 1K0 611 701 B , 1K0 611 701 K , 1K0 611 701 H , 1K0 611 701 M , 1Q0 611 701 D | 83.7847-0563.3 |
| | | VOLKSWAGEN | JETTA VI (10-) | 1,4 TSI | | 04.2011 | 11.2011 | 1K0 611 701 B , 1K0 611 701 K , 1K0 611 701 H , 1K0 611 701 M , 1Q0 611 701 D | 83.7847-0563.3 |
| | | VOLKSWAGEN | JETTA VI (10-) | 2,0 TSI | | 04.2011 | 11.2011 | 1K0 611 701 B , 1K0 611 701 K , 1K0 611 701 H , 1K0 611 701 M , 1Q0 611 701 D | 83.7847-0563.3 |



| | | | | | | | |
|--|--|--|--|--|-------------------------------|--|--|
| | | | | | OE numbers per ATE pn. | | e.g. replaced pn. / miscellaneous |
|--|--|--|--|--|-------------------------------|--|--|



BSV - Brake hose front

| | | | | | | | | |
|----------------|---------------|------------|-----------------------|---------------------|---------|---------|---|----------------|
| 24.5143-0564.3 | 331433 | VOLKSWAGEN | JETTA VI (10-) | 2,0 TDI | 10.2010 | 11.2011 | 1K0 611 701 B , 1K0 611 701 K , 1K0 611 701 H , 1K0 611 701 M , 1Q0 611 701 D | 83.7847-0563.3 |
| | | VOLKSWAGEN | JETTA VI (10-) | | 04.2011 | 11.2011 | 1K0 611 701 B , 1K0 611 701 K , 1K0 611 701 H , 1K0 611 701 M , 1Q0 611 701 D | 83.7847-0563.3 |
| | | VOLKSWAGEN | JETTA VI (10-) | 1,4 TSI Hybrid | 04.2011 | 11.2011 | 1K0 611 701 B , 1K0 611 701 K , 1K0 611 701 H , 1K0 611 701 M , 1Q0 611 701 D | 83.7847-0563.3 |
| | | SEAT | LEON II (1P1) (05-12) | 1,6 LPG / Multifuel | 12.2009 | 10.2012 | 1K0 611 701 B , 1K0 611 701 K , 1K0 611 701 H , 1K0 611 701 M , 1Q0 611 701 D | 83.7847-0563.3 |
| | | SEAT | LEON II (1P1) (05-12) | 2,0 TFSI | 09.2005 | 10.2012 | 1K0 611 701 B , 1K0 611 701 K , 1K0 611 701 H , 1K0 611 701 M , 1Q0 611 701 D | 83.7847-0563.3 |
| | | SEAT | LEON II (1P1) (05-12) | 1,6 TDI | 11.2010 | 10.2012 | 1K0 611 701 B , 1K0 611 701 K , 1K0 611 701 H , 1K0 611 701 M , 1Q0 611 701 D | 83.7847-0563.3 |
| | | SEAT | LEON II (1P1) (05-12) | 1,6 TDI Ecomotive | 02.2010 | 10.2012 | 1K0 611 701 B , 1K0 611 701 K , 1K0 611 701 H , 1K0 611 701 M , 1Q0 611 701 D | 83.7847-0563.3 |
| | | SEAT | LEON II (1P1) (05-12) | 1,2 TSI | 02.2010 | 10.2012 | 1K0 611 701 B , 1K0 611 701 K , 1K0 611 701 H , 1K0 611 701 M , 1Q0 611 701 D | 83.7847-0563.3 |



| | | | | | | | |
|--|--|--|--|--|-------------------------------|--|--|
| | | | | | OE numbers per ATE pn. | | e.g. replaced pn. / miscellaneous |
|--|--|--|--|--|-------------------------------|--|--|



BSV - Brake hose front

| | | | | | | | | |
|----------------|---------------|------|-----------------------|-------------|---------|---------|--|----------------|
| 24.5143-0564.3 | 331433 | SEAT | LEON II (1P1) (05-12) | 1,4 i 16V | 06.2006 | 10.2012 | 1K0 611 701 B , 1K0 611 701 1K0 611 701 K , 1K0 611 701 H , 1K0 611 701 M , 1Q0 611 701 D | 83.7847-0563.3 |
| | | SEAT | LEON II (1P1) (05-12) | 1,8 TSI | 06.2007 | 10.2012 | 1K0 611 701 B , 1K0 611 701 1K0 611 701 K , 1K0 611 701 H , 1K0 611 701 M , 1Q0 611 701 D | 83.7847-0563.3 |
| | | SEAT | LEON II (1P1) (05-12) | 2,0 TFSI | 11.2006 | 10.2012 | 1K0 611 701 B , 1K0 611 701 1K0 611 701 K , 1K0 611 701 H , 1K0 611 701 M , 1Q0 611 701 D | 83.7847-0563.3 |
| | | SEAT | LEON II (1P1) (05-12) | 2,0 Cupra R | 11.2006 | 10.2012 | 1K0 611 701 B , 1K0 611 701 1K0 611 701 K , 1K0 611 701 H , 1K0 611 701 M , 1Q0 611 701 D | 83.7847-0563.3 |
| | | SEAT | LEON II (1P1) (05-12) | 2,0 FSI | 08.2005 | 10.2012 | 1K0 611 701 B , 1K0 611 701 1K0 611 701 K , 1K0 611 701 H , 1K0 611 701 M , 1Q0 611 701 D | 83.7847-0563.3 |
| | | SEAT | LEON II (1P1) (05-12) | 1,4 TSI | 11.2007 | 10.2012 | 1K0 611 701 B , 1K0 611 701 1K0 611 701 K , 1K0 611 701 H , 1K0 611 701 M , 1Q0 611 701 D | 83.7847-0563.3 |
| | | SEAT | LEON II (1P1) (05-12) | 2,0 TDI | 02.2006 | 10.2012 | 1K0 611 701 B , 1K0 611 701 1K0 611 701 K , 1K0 611 701 H , 1K0 611 701 M , 1Q0 611 701 D | 83.7847-0563.3 |
| | | SEAT | LEON II (1P1) (05-12) | | 08.2005 | 10.2012 | 1K0 611 701 B , 1K0 611 701 1K0 611 701 K , 1K0 611 701 H , 1K0 611 701 M , 1Q0 611 701 D | 83.7847-0563.3 |



| | | | | | | | |
|--|--|--|--|--|-------------------------------|--|--|
| | | | | | OE numbers per ATE pn. | | e.g. replaced pn. / miscellaneous |
|--|--|--|--|--|-------------------------------|--|--|



BSV - Brake hose front

| | | | | | | | | |
|----------------|---------------|-------|-------------------------|-------------|---------|---------|---|----------------|
| 24.5143-0564.3 | 331433 | SEAT | LEON II (1P1) (05-12) | 2,0 TFSI | 08.2005 | 10.2012 | 1K0 611 701 B , 1K0 611 701 K , 1K0 611 701 H , 1K0 611 701 M , 1Q0 611 701 D | 83.7847-0563.3 |
| | | SEAT | LEON II (1P1) (05-12) | 1,6 i | 08.2005 | 10.2012 | 1K0 611 701 B , 1K0 611 701 K , 1K0 611 701 H , 1K0 611 701 M , 1Q0 611 701 D | 83.7847-0563.3 |
| | | SEAT | LEON II (1P1) (05-12) | 1,9 TDI | 08.2005 | 10.2012 | 1K0 611 701 B , 1K0 611 701 K , 1K0 611 701 H , 1K0 611 701 M , 1Q0 611 701 D | 83.7847-0563.3 |
| | | SKODA | OCTAVIA II (1Z) (04-13) | 2,0 FSI | 11.2004 | 01.2013 | 1K0 611 701 B , 1K0 611 701 K , 1K0 611 701 H , 1K0 611 701 M , 1Q0 611 701 D | 83.7847-0563.3 |
| | | SKODA | OCTAVIA II (1Z) (04-13) | 2,0 FSI 4x4 | 11.2004 | 01.2013 | 1K0 611 701 B , 1K0 611 701 K , 1K0 611 701 H , 1K0 611 701 M , 1Q0 611 701 D | 83.7847-0563.3 |
| | | SKODA | OCTAVIA II (1Z) (04-13) | 2,0 RS | 10.2005 | 01.2013 | 1K0 611 701 B , 1K0 611 701 K , 1K0 611 701 H , 1K0 611 701 M , 1Q0 611 701 D | 83.7847-0563.3 |
| | | SKODA | OCTAVIA II (1Z) (04-13) | 2,0 TDI | 03.2010 | 01.2013 | 1K0 611 701 B , 1K0 611 701 K , 1K0 611 701 H , 1K0 611 701 M , 1Q0 611 701 D | 83.7847-0563.3 |
| | | SKODA | OCTAVIA II (1Z) (04-13) | 1,9 TDI 4x4 | 11.2004 | 01.2013 | 1K0 611 701 B , 1K0 611 701 K , 1K0 611 701 H , 1K0 611 701 M , 1Q0 611 701 D | 83.7847-0563.3 |



| | | | | | | | |
|--|--|--|--|--|-------------------------------|--|--|
| | | | | | OE numbers per ATE pn. | | e.g. replaced pn. / miscellaneous |
|--|--|--|--|--|-------------------------------|--|--|



BSV - Brake hose front

| | | | | | | | | |
|----------------|---------------|-------|-------------------------|-------------|---------|---------|--|----------------|
| 24.5143-0564.3 | 331433 | SKODA | OCTAVIA II (1Z) (04-13) | 2,0 TDi 4x4 | 05.2011 | 01.2013 | 1K0 611 701 B , 1K0 611 701 1K0 611 701 K , 1K0 611 701 H , 1K0 611 701 M , 1Q0 611 701 D | 83.7847-0563.3 |
| | | SKODA | OCTAVIA II (1Z) (04-13) | 1,6 i 16V | 06.2004 | 01.2013 | 1K0 611 701 B , 1K0 611 701 1K0 611 701 K , 1K0 611 701 H , 1K0 611 701 M , 1Q0 611 701 D | 83.7847-0563.3 |
| | | SKODA | OCTAVIA II (1Z) (04-13) | 2,0 TDi 4x4 | 07.2006 | 01.2013 | 1K0 611 701 B , 1K0 611 701 1K0 611 701 K , 1K0 611 701 H , 1K0 611 701 M , 1Q0 611 701 D | 83.7847-0563.3 |
| | | SKODA | OCTAVIA II (1Z) (04-13) | 2,0 TDi | 06.2004 | 01.2013 | 1K0 611 701 B , 1K0 611 701 1K0 611 701 K , 1K0 611 701 H , 1K0 611 701 M , 1Q0 611 701 D | 83.7847-0563.3 |
| | | SKODA | OCTAVIA II (1Z) (04-13) | 1,9 TDi | 06.2004 | 01.2013 | 1K0 611 701 B , 1K0 611 701 1K0 611 701 K , 1K0 611 701 H , 1K0 611 701 M , 1Q0 611 701 D | 83.7847-0563.3 |
| | | SKODA | OCTAVIA II (1Z) (04-13) | 1,8 TSi 4x4 | 11.2008 | 01.2013 | 1K0 611 701 B , 1K0 611 701 1K0 611 701 K , 1K0 611 701 H , 1K0 611 701 M , 1Q0 611 701 D | 83.7847-0563.3 |
| | | SKODA | OCTAVIA II (1Z) (04-13) | 1,8 TSi | 06.2007 | 01.2013 | 1K0 611 701 B , 1K0 611 701 1K0 611 701 K , 1K0 611 701 H , 1K0 611 701 M , 1Q0 611 701 D | 83.7847-0563.3 |
| | | SKODA | OCTAVIA II (1Z) (04-13) | 1,6 TDi | 06.2009 | 01.2013 | 1K0 611 701 B , 1K0 611 701 1K0 611 701 K , 1K0 611 701 H , 1K0 611 701 M , 1Q0 611 701 D | 83.7847-0563.3 |



| | | | | | | | |
|--|--|--|--|--|-------------------------------|--|--|
| | | | | | OE numbers per ATE pn. | | e.g. replaced pn. / miscellaneous |
|--|--|--|--|--|-------------------------------|--|--|



BSV - Brake hose front

| | | | | | | | | |
|----------------|---------------|------------|-------------------------|-------------|---------|---------|--|----------------|
| 24.5143-0564.3 | 331433 | SKODA | OCTAVIA II (1Z) (04-13) | 1,6 FSI | 06.2004 | 01.2013 | 1K0 611 701 B , 1K0 611 701 1K0 611 701 K , 1K0 611 701 H , 1K0 611 701 M , 1Q0 611 701 D | 83.7847-0563.3 |
| | | SKODA | OCTAVIA II (1Z) (04-13) | 1,6 | 09.2009 | 01.2013 | 1K0 611 701 B , 1K0 611 701 1K0 611 701 K , 1K0 611 701 H , 1K0 611 701 M , 1Q0 611 701 D | 83.7847-0563.3 |
| | | SKODA | OCTAVIA II (1Z) (04-13) | 1,4 TSI | 11.2008 | 01.2013 | 1K0 611 701 B , 1K0 611 701 1K0 611 701 K , 1K0 611 701 H , 1K0 611 701 M , 1Q0 611 701 D | 83.7847-0563.3 |
| | | SKODA | OCTAVIA II (1Z) (04-13) | 1,4 i 16V | 06.2004 | 01.2013 | 1K0 611 701 B , 1K0 611 701 1K0 611 701 K , 1K0 611 701 H , 1K0 611 701 M , 1Q0 611 701 D | 83.7847-0563.3 |
| | | SKODA | OCTAVIA II (1Z) (04-13) | 2,0 TDI RS | 04.2006 | 01.2013 | 1K0 611 701 B , 1K0 611 701 1K0 611 701 K , 1K0 611 701 H , 1K0 611 701 M , 1Q0 611 701 D | 83.7847-0563.3 |
| | | SKODA | OCTAVIA II (1Z) (04-13) | 1,6 TDI 4x4 | 06.2009 | 01.2013 | 1K0 611 701 B , 1K0 611 701 1K0 611 701 K , 1K0 611 701 H , 1K0 611 701 M , 1Q0 611 701 D | 83.7847-0563.3 |
| | | SKODA | OCTAVIA II (1Z) (04-13) | 1,2 TSI | 02.2010 | 01.2013 | 1K0 611 701 B , 1K0 611 701 1K0 611 701 K , 1K0 611 701 H , 1K0 611 701 M , 1Q0 611 701 D | 83.7847-0563.3 |
| | | VOLKSWAGEN | SCIROCCO (08-) | 2,0 R | 08.2014 | | 1K0 611 701 B , 1K0 611 701 1K0 611 701 K , 1K0 611 701 H , 1K0 611 701 M , 1Q0 611 701 D | 83.7847-0563.3 |



| | | | | | | | |
|--|--|--|--|--|-------------------------------|--|--|
| | | | | | OE numbers per ATE pn. | | e.g. replaced pn. / miscellaneous |
|--|--|--|--|--|-------------------------------|--|--|



BSV - Brake hose front

| | | | | | | | |
|----------------|---------------|------------|----------------|---------|---------|---|----------------|
| 24.5143-0564.3 | 331433 | VOLKSWAGEN | SCIROCCO (08-) | 2,0 TSI | 08.2008 | 1K0 611 701 B , 1K0 611 701 K , 1K0 611 701 H , 1K0 611 701 M , 1Q0 611 701 D | 83.7847-0563.3 |
| | | VOLKSWAGEN | SCIROCCO (08-) | | 11.2009 | 1K0 611 701 B , 1K0 611 701 K , 1K0 611 701 H , 1K0 611 701 M , 1Q0 611 701 D | 83.7847-0563.3 |
| | | VOLKSWAGEN | SCIROCCO (08-) | | 11.2013 | 1K0 611 701 B , 1K0 611 701 K , 1K0 611 701 H , 1K0 611 701 M , 1Q0 611 701 D | 83.7847-0563.3 |
| | | VOLKSWAGEN | SCIROCCO (08-) | 2,0 TDI | 01.2013 | 1K0 611 701 B , 1K0 611 701 K , 1K0 611 701 H , 1K0 611 701 M , 1Q0 611 701 D | 83.7847-0563.3 |
| | | VOLKSWAGEN | SCIROCCO (08-) | | 10.2008 | 1K0 611 701 B , 1K0 611 701 K , 1K0 611 701 H , 1K0 611 701 M , 1Q0 611 701 D | 83.7847-0563.3 |
| | | VOLKSWAGEN | SCIROCCO (08-) | | 05.2009 | 1K0 611 701 B , 1K0 611 701 K , 1K0 611 701 H , 1K0 611 701 M , 1Q0 611 701 D | 83.7847-0563.3 |
| | | VOLKSWAGEN | SCIROCCO (08-) | 1,4 TSI | 08.2008 | 1K0 611 701 B , 1K0 611 701 K , 1K0 611 701 H , 1K0 611 701 M , 1Q0 611 701 D | 83.7847-0563.3 |
| | | VOLKSWAGEN | SCIROCCO (08-) | 2,0 TDI | 11.2013 | 1K0 611 701 B , 1K0 611 701 K , 1K0 611 701 H , 1K0 611 701 M , 1Q0 611 701 D | 83.7847-0563.3 |



| | | | | | | | |
|--|--|--|--|--|-------------------------------|--|--|
| | | | | | OE numbers per ATE pn. | | e.g. replaced pn. / miscellaneous |
|--|--|--|--|--|-------------------------------|--|--|



BSV - Brake hose front

| | | | | | | | | | |
|----------------|---------------|------------|-------------------|----------------|--|---------|---------|---|----------------|
| 24.5143-0564.3 | 331433 | VOLKSWAGEN | SCIROCCO (08-) | 1,4 TSI | | 11.2013 | | 1K0 611 701 B , 1K0 611 701 K , 1K0 611 701 H , 1K0 611 701 M , 1Q0 611 701 D | 83.7847-0563.3 |
| | | VOLKSWAGEN | SCIROCCO (08-) | 2,0 R | | 11.2009 | | 1K0 611 701 B , 1K0 611 701 K , 1K0 611 701 H , 1K0 611 701 M , 1Q0 611 701 D | 83.7847-0563.3 |
| | | VOLKSWAGEN | SCIROCCO (08-) | 1,4 TSI | | 09.2008 | | 1K0 611 701 B , 1K0 611 701 K , 1K0 611 701 H , 1K0 611 701 M , 1Q0 611 701 D | 83.7847-0563.3 |
| | | SKODA | SUPERB II (08-15) | 3,6 FSI V6 4x4 | | 11.2008 | 02.2015 | 1K0 611 701 B , 1K0 611 701 K , 1K0 611 701 H , 1K0 611 701 M , 1Q0 611 701 D | 83.7847-0563.3 |
| | | SKODA | SUPERB II (08-15) | 2,0 TSI | | 05.2010 | 02.2015 | 1K0 611 701 B , 1K0 611 701 K , 1K0 611 701 H , 1K0 611 701 M , 1Q0 611 701 D | 83.7847-0563.3 |
| | | SKODA | SUPERB II (08-15) | 2,0 TDI 4x4 | | 10.2008 | 02.2015 | 1K0 611 701 B , 1K0 611 701 K , 1K0 611 701 H , 1K0 611 701 M , 1Q0 611 701 D | 83.7847-0563.3 |
| | | SKODA | SUPERB II (08-15) | 2,0 TDI | | 08.2008 | 02.2015 | 1K0 611 701 B , 1K0 611 701 K , 1K0 611 701 H , 1K0 611 701 M , 1Q0 611 701 D | 83.7847-0563.3 |
| | | SKODA | SUPERB II (08-15) | 1,9 TDI | | 08.2008 | 02.2015 | 1K0 611 701 B , 1K0 611 701 K , 1K0 611 701 H , 1K0 611 701 M , 1Q0 611 701 D | 83.7847-0563.3 |



| | | | | | | |
|--|--|--|--|--|-------------------------------|---------------------------------------|
| | | | | | OE numbers per ATE pn. | e.g. replaced pn. / miscellaneous |
|--|--|--|--|--|-------------------------------|---------------------------------------|



BSV - Brake hose front

| | | | | | | | | |
|----------------|---------------|-------|-------------------------|-------------|---------|---------|---|----------------|
| 24.5143-0564.3 | 331433 | SKODA | SUPERB II (08-15) | 1,4 TSI | 08.2008 | 02.2015 | 1K0 611 701 B , 1K0 611 701 , 1K0 611 701 K , 1K0 611 701 H , 1K0 611 701 M , 1Q0 611 701 D | 83.7847-0563.3 |
| | | SKODA | SUPERB II (08-15) | 1,8 TSI 4x4 | 10.2008 | 02.2015 | 1K0 611 701 B , 1K0 611 701 , 1K0 611 701 K , 1K0 611 701 H , 1K0 611 701 M , 1Q0 611 701 D | 83.7847-0563.3 |
| | | SKODA | SUPERB II (08-15) | 1,8 TFSI | 08.2008 | 02.2015 | 1K0 611 701 B , 1K0 611 701 , 1K0 611 701 K , 1K0 611 701 H , 1K0 611 701 M , 1Q0 611 701 D | 83.7847-0563.3 |
| | | SKODA | SUPERB II (08-15) | 1,6 TDI | 09.2010 | 02.2015 | 1K0 611 701 B , 1K0 611 701 , 1K0 611 701 K , 1K0 611 701 H , 1K0 611 701 M , 1Q0 611 701 D | 83.7847-0563.3 |
| | | SKODA | SUPERB II Combi (09-15) | 2,0 TDI 4x4 | 11.2009 | 02.2015 | 1K0 611 701 B , 1K0 611 701 , 1K0 611 701 K , 1K0 611 701 H , 1K0 611 701 M , 1Q0 611 701 D | 83.7847-0563.3 |
| | | SKODA | SUPERB II Combi (09-15) | 2,0 TSI | 05.2010 | 02.2015 | 1K0 611 701 B , 1K0 611 701 , 1K0 611 701 K , 1K0 611 701 H , 1K0 611 701 M , 1Q0 611 701 D | 83.7847-0563.3 |
| | | SKODA | SUPERB II Combi (09-15) | 2,0 TDI | 11.2009 | 02.2015 | 1K0 611 701 B , 1K0 611 701 , 1K0 611 701 K , 1K0 611 701 H , 1K0 611 701 M , 1Q0 611 701 D | 83.7847-0563.3 |
| | | SKODA | SUPERB II Combi (09-15) | 1,9 TDI | 10.2009 | 02.2015 | 1K0 611 701 B , 1K0 611 701 , 1K0 611 701 K , 1K0 611 701 H , 1K0 611 701 M , 1Q0 611 701 D | 83.7847-0563.3 |



| | | | | | | |
|--|--|--|--|--|-------------------------------|---------------------------------------|
| | | | | | OE numbers per ATE pn. | e.g. replaced pn. / miscellaneous |
|--|--|--|--|--|-------------------------------|---------------------------------------|



BSV - Brake hose front

| | | | | | | | | |
|----------------|---------------|-------|--------------------------|-------------|---------|---------|---|----------------|
| 24.5143-0564.3 | 331433 | SKODA | SUPERB II Combi (09-15) | 1,8 TSI 4x4 | 11.2009 | 02.2015 | 1K0 611 701 B , 1K0 611 701 K , 1K0 611 701 H , 1K0 611 701 M , 1Q0 611 701 D | 83.7847-0563.3 |
| | | SKODA | SUPERB II Combi (09-15) | 1,8 TSI | 11.2009 | 02.2015 | 1K0 611 701 B , 1K0 611 701 K , 1K0 611 701 H , 1K0 611 701 M , 1Q0 611 701 D | 83.7847-0563.3 |
| | | SKODA | SUPERB II Combi (09-15) | 1,6 TDI | 09.2010 | 02.2015 | 1K0 611 701 B , 1K0 611 701 K , 1K0 611 701 H , 1K0 611 701 M , 1Q0 611 701 D | 83.7847-0563.3 |
| | | SKODA | SUPERB II Combi (09-15) | 1,4 TSI | 11.2009 | 02.2015 | 1K0 611 701 B , 1K0 611 701 K , 1K0 611 701 H , 1K0 611 701 M , 1Q0 611 701 D | 83.7847-0563.3 |
| | | SKODA | SUPERB II Combi (09-15) | 3,6 V6 4x4 | 11.2009 | 02.2015 | 1K0 611 701 B , 1K0 611 701 K , 1K0 611 701 H , 1K0 611 701 M , 1Q0 611 701 D | 83.7847-0563.3 |
| | | SEAT | TOLEDO III (5P2) (05-09) | 2,0 TDI | 01.2006 | 03.2009 | 1K0 611 701 B , 1K0 611 701 K , 1K0 611 701 H , 1K0 611 701 M , 1Q0 611 701 D | 83.7847-0563.3 |
| | | SEAT | TOLEDO III (5P2) (05-09) | 2,0 FSI | 10.2004 | 03.2009 | 1K0 611 701 B , 1K0 611 701 K , 1K0 611 701 H , 1K0 611 701 M , 1Q0 611 701 D | 83.7847-0563.3 |
| | | SEAT | TOLEDO III (5P2) (05-09) | 1,9 TDI | 10.2004 | 03.2009 | 1K0 611 701 B , 1K0 611 701 K , 1K0 611 701 H , 1K0 611 701 M , 1Q0 611 701 D | 83.7847-0563.3 |



| | | | | | | | |
|--|--|--|--|--|-------------------------------|--|--|
| | | | | | OE numbers per ATE pn. | | e.g. replaced pn. / miscellaneous |
|--|--|--|--|--|-------------------------------|--|--|



BSV - Brake hose front

| | | | | | | | | |
|----------------|---------------|------------|--------------------------|-----------|---------|---------|---|----------------|
| 24.5143-0564.3 | 331433 | SEAT | TOLEDO III (5P2) (05-09) | 1,8 TFSI | 01.2007 | 03.2009 | 1K0 611 701 B , 1K0 611 701 , 1K0 611 701 K , 1K0 611 701 H , 1K0 611 701 M , 1Q0 611 701 D | 83.7847-0563.3 |
| | | SEAT | TOLEDO III (5P2) (05-09) | 1,6 i 16V | 10.2004 | 03.2009 | 1K0 611 701 B , 1K0 611 701 , 1K0 611 701 K , 1K0 611 701 H , 1K0 611 701 M , 1Q0 611 701 D | 83.7847-0563.3 |
| | | SEAT | TOLEDO III (5P2) (05-09) | 1,4 16V | 05.2006 | 03.2009 | 1K0 611 701 B , 1K0 611 701 , 1K0 611 701 K , 1K0 611 701 H , 1K0 611 701 M , 1Q0 611 701 D | 83.7847-0563.3 |
| | | SEAT | TOLEDO III (5P2) (05-09) | 2,0 TDI | 10.2004 | 03.2009 | 1K0 611 701 B , 1K0 611 701 , 1K0 611 701 K , 1K0 611 701 H , 1K0 611 701 M , 1Q0 611 701 D | 83.7847-0563.3 |
| | | SEAT | TOLEDO III (5P2) (05-09) | 2,0 TFSI | 11.2005 | 03.2009 | 1K0 611 701 B , 1K0 611 701 , 1K0 611 701 K , 1K0 611 701 H , 1K0 611 701 M , 1Q0 611 701 D | 83.7847-0563.3 |
| | | VOLKSWAGEN | TOURAN I (03-15) | 1,4 TSI | 09.2006 | | 1K0 611 701 B , 1K0 611 701 , 1K0 611 701 K , 1K0 611 701 H , 1K0 611 701 M , 1Q0 611 701 D | 83.7847-0563.3 |
| | | VOLKSWAGEN | TOURAN I (03-15) | 1,9 TDI | 02.2003 | | 1K0 611 701 B , 1K0 611 701 , 1K0 611 701 K , 1K0 611 701 H , 1K0 611 701 M , 1Q0 611 701 D | 83.7847-0563.3 |
| | | VOLKSWAGEN | TOURAN I (03-15) | 1,6 TDI | 05.2010 | | 1K0 611 701 B , 1K0 611 701 , 1K0 611 701 K , 1K0 611 701 H , 1K0 611 701 M , 1Q0 611 701 D | 83.7847-0563.3 |



| | | | | | | | |
|--|--|--|--|--|-------------------------------|--|--|
| | | | | | OE numbers per ATE pn. | | e.g. replaced pn. / miscellaneous |
|--|--|--|--|--|-------------------------------|--|--|



BSV - Brake hose front

| | | | | | | | |
|----------------|---------------|------------|------------------|-----------------|---------|--|----------------|
| 24.5143-0564.3 | 331433 | VOLKSWAGEN | TOURAN I (03-15) | 1,6 FSI | 02.2003 | 1K0 611 701 B , 1K0 611 701 1K0 611 701 K , 1K0 611 701 H , 1K0 611 701 M , 1Q0 611 701 D | 83.7847-0563.3 |
| | | VOLKSWAGEN | TOURAN I (03-15) | 1,6 | 07.2003 | 1K0 611 701 B , 1K0 611 701 1K0 611 701 K , 1K0 611 701 H , 1K0 611 701 M , 1Q0 611 701 D | 83.7847-0563.3 |
| | | VOLKSWAGEN | TOURAN I (03-15) | 1,4 TSI | 11.2006 | 1K0 611 701 B , 1K0 611 701 1K0 611 701 K , 1K0 611 701 H , 1K0 611 701 M , 1Q0 611 701 D | 83.7847-0563.3 |
| | | VOLKSWAGEN | TOURAN I (03-15) | 1,2 TSI | 05.2010 | 1K0 611 701 B , 1K0 611 701 1K0 611 701 K , 1K0 611 701 H , 1K0 611 701 M , 1Q0 611 701 D | 83.7847-0563.3 |
| | | VOLKSWAGEN | TOURAN I (03-15) | 2,0 FSI | 10.2003 | 1K0 611 701 B , 1K0 611 701 1K0 611 701 K , 1K0 611 701 H , 1K0 611 701 M , 1Q0 611 701 D | 83.7847-0563.3 |
| | | VOLKSWAGEN | TOURAN I (03-15) | 1,4 TSI EcoFuel | 05.2009 | 1K0 611 701 B , 1K0 611 701 1K0 611 701 K , 1K0 611 701 H , 1K0 611 701 M , 1Q0 611 701 D | 83.7847-0563.3 |
| | | VOLKSWAGEN | TOURAN I (03-15) | 2,0 Eco Fuel | 02.2006 | 1K0 611 701 B , 1K0 611 701 1K0 611 701 K , 1K0 611 701 H , 1K0 611 701 M , 1Q0 611 701 D | 83.7847-0563.3 |
| | | VOLKSWAGEN | TOURAN I (03-15) | 2,0 FSI | 10.2004 | 1K0 611 701 B , 1K0 611 701 1K0 611 701 K , 1K0 611 701 H , 1K0 611 701 M , 1Q0 611 701 D | 83.7847-0563.3 |



| | | | | | | | |
|--|--|--|--|--|-------------------------------|--|--|
| | | | | | OE numbers per ATE pn. | | e.g. replaced pn. / miscellaneous |
|--|--|--|--|--|-------------------------------|--|--|



BSV - Brake hose front

| | | | | | | | |
|----------------|---------------|------------|------------------|-------------|---------|---|----------------|
| 24.5143-0564.3 | 331433 | VOLKSWAGEN | TOURAN I (03-15) | 2,0 TDI | 01.2013 | 1K0 611 701 B , 1K0 611 701 K , 1K0 611 701 H , 1K0 611 701 M , 1Q0 611 701 D | 83.7847-0563.3 |
| | | VOLKSWAGEN | TOURAN I (03-15) | | 02.2003 | 1K0 611 701 B , 1K0 611 701 K , 1K0 611 701 H , 1K0 611 701 M , 1Q0 611 701 D | 83.7847-0563.3 |
| | | VOLKSWAGEN | TOURAN I (03-15) | | 02.2006 | 1K0 611 701 B , 1K0 611 701 K , 1K0 611 701 H , 1K0 611 701 M , 1Q0 611 701 D | 83.7847-0563.3 |
| | | VOLKSWAGEN | TOURAN I (03-15) | | 08.2003 | 1K0 611 701 B , 1K0 611 701 K , 1K0 611 701 H , 1K0 611 701 M , 1Q0 611 701 D | 83.7847-0563.3 |
| | | VOLKSWAGEN | TOURAN I (03-15) | 1,9 TDI | 08.2003 | 1K0 611 701 B , 1K0 611 701 K , 1K0 611 701 H , 1K0 611 701 M , 1Q0 611 701 D | 83.7847-0563.3 |
| | | VOLKSWAGEN | TOURAN I (03-15) | | 11.2004 | 1K0 611 701 B , 1K0 611 701 K , 1K0 611 701 H , 1K0 611 701 M , 1Q0 611 701 D | 83.7847-0563.3 |
| | | SKODA | YETI (09-) | 1,4 TSI | 06.2010 | 1K0 611 701 B , 1K0 611 701 K , 1K0 611 701 H , 1K0 611 701 M , 1Q0 611 701 D | 83.7847-0563.3 |
| | | SKODA | YETI (09-) | 1,8 TSI 4x4 | 11.2009 | 1K0 611 701 B , 1K0 611 701 K , 1K0 611 701 H , 1K0 611 701 M , 1Q0 611 701 D | 83.7847-0563.3 |



| | | | | | | | |
|--|--|--|--|--|-------------------------------|--|--|
| | | | | | OE numbers per ATE pn. | | e.g. replaced pn. / miscellaneous |
|--|--|--|--|--|-------------------------------|--|--|



BSV - Brake hose front

| | | | | | | | |
|----------------|---------------|-------|------------|-------------|---------|---|----------------|
| 24.5143-0564.3 | 331433 | SKODA | YETI (09-) | 1,8 TSI 4x4 | 05.2009 | 1K0 611 701 B , 1K0 611 701 K , 1K0 611 701 H , 1K0 611 701 M , 1Q0 611 701 D | 83.7847-0563.3 |
| | | SKODA | YETI (09-) | 1,2 TSI | 09.2009 | 1K0 611 701 B , 1K0 611 701 K , 1K0 611 701 H , 1K0 611 701 M , 1Q0 611 701 D | 83.7847-0563.3 |
| | | SKODA | YETI (09-) | 1,6 TDI | 11.2010 | 1K0 611 701 B , 1K0 611 701 K , 1K0 611 701 H , 1K0 611 701 M , 1Q0 611 701 D | 83.7847-0563.3 |
| | | SKODA | YETI (09-) | 2,0 TDI | 05.2015 | 1K0 611 701 B , 1K0 611 701 K , 1K0 611 701 H , 1K0 611 701 M , 1Q0 611 701 D | 83.7847-0563.3 |
| | | SKODA | YETI (09-) | 1,4 TSI 4x4 | 05.2015 | 1K0 611 701 B , 1K0 611 701 K , 1K0 611 701 H , 1K0 611 701 M , 1Q0 611 701 D | 83.7847-0563.3 |
| | | SKODA | YETI (09-) | 2,0 TDI 4x4 | 11.2009 | 1K0 611 701 B , 1K0 611 701 K , 1K0 611 701 H , 1K0 611 701 M , 1Q0 611 701 D | 83.7847-0563.3 |
| | | SKODA | YETI (09-) | 1,6 | 04.2014 | 1K0 611 701 B , 1K0 611 701 K , 1K0 611 701 H , 1K0 611 701 M , 1Q0 611 701 D | 83.7847-0563.3 |
| | | SKODA | YETI (09-) | 2,0 TDI | 11.2009 | 1K0 611 701 B , 1K0 611 701 K , 1K0 611 701 H , 1K0 611 701 M , 1Q0 611 701 D | 83.7847-0563.3 |



| | | | | | | | |
|--|--|--|--|--|------------------------|--|-----------------------------------|
| | | | | | OE numbers per ATE pn. | | e.g. replaced pn. / miscellaneous |
|--|--|--|--|--|------------------------|--|-----------------------------------|



BSV - Brake hose front

| | | | | | | | | | |
|----------------|---------------|--------|--------------------|-----------------------|----|---------|--|---|----------------|
| 24.5143-0564.3 | 331433 | SKODA | YETI (09-) | 2,0 TDI | | 11.2011 | | 1K0 611 701 B , 1K0 611 701 K , 1K0 611 701 H , 1K0 611 701 M , 1Q0 611 701 D | 83.7847-0563.3 |
| | | SKODA | YETI (09-) | 1,4 TSI | | 05.2015 | | 1K0 611 701 B , 1K0 611 701 K , 1K0 611 701 H , 1K0 611 701 M , 1Q0 611 701 D | 83.7847-0563.3 |
| | | SKODA | YETI (09-) | 2,0 TDI 4x4 | | 05.2015 | | 1K0 611 701 B , 1K0 611 701 K , 1K0 611 701 H , 1K0 611 701 M , 1Q0 611 701 D | 83.7847-0563.3 |
| | | SKODA | YETI (09-) | 1,2 TSI | | 05.2015 | | 1K0 611 701 B , 1K0 611 701 K , 1K0 611 701 H , 1K0 611 701 M , 1Q0 611 701 D | 83.7847-0563.3 |
| | | SKODA | YETI (09-) | 2,0 TDI 4x4 | | 05.2009 | | 1K0 611 701 B , 1K0 611 701 K , 1K0 611 701 H , 1K0 611 701 M , 1Q0 611 701 D | 83.7847-0563.3 |
| 24.5293-0567.3 | 331438 | NISSAN | MICRA (K13K) (10-) | 1,2 DIG | FR | 04.2011 | | 46210-1HJ0B | |
| | | NISSAN | MICRA (K13K) (10-) | 1,2 i | FR | 05.2010 | | 46210-1HJ0B | |
| 24.5293-0635.3 | 331440 | NISSAN | JUKE (F15) (10-) | 1,6 DIG-T | FR | 06.2010 | | 46210-1KK0A | |
| | | NISSAN | JUKE (F15) (10-) | 1,6 DIG-T 4x4 | FR | 06.2010 | | 46210-1KK0A | |
| | | NISSAN | JUKE (F15) (10-) | 1,6 DIG-T Nismo 4x4 | FR | 02.2013 | | 46210-1KK0A | |
| | | NISSAN | JUKE (F15) (10-) | 1,6 DIG-T NismoRS 4x4 | FR | 08.2014 | | 46210-1KK0A | |
| | | NISSAN | JUKE (F15) (10-) | 1,6 DIG-T | FR | 08.2014 | | 46210-1KK0A | |
| | | NISSAN | JUKE (F15) (10-) | 1,2 DIG-T | FR | 05.2014 | | 46210-1KK0A | |



| | | | | | | | |
|--|--|--|--|--|------------------------|--|-----------------------------------|
| | | | | | OE numbers per ATE pn. | | e.g. replaced pn. / miscellaneous |
|--|--|--|--|--|------------------------|--|-----------------------------------|



BSV - Brake hose front

| | | | | | | | | | |
|----------------|---------------|---------------|-------------------------------------|-----------------------|----|---------|--|---------------|--|
| 24.5293-0635.3 | 331440 | NISSAN | JUKE (F15) (10-) | 1,5 dCi | FR | 06.2010 | | 46210-1KK0A | |
| | | NISSAN | JUKE (F15) (10-) | 1,6 16V | FR | 01.2013 | | 46210-1KK0A | |
| | | NISSAN | JUKE (F15) (10-) | | FR | 06.2010 | | 46210-1KK0A | |
| | | NISSAN | JUKE (F15) (10-) | 1,6 DIG-T | FR | 11.2012 | | 46210-1KK0A | |
| 24.5293-0636.3 | 331441 | NISSAN | JUKE (F15) (10-) | 1,5 dCi | FL | 06.2010 | | 46211-1KK0A | |
| | | NISSAN | JUKE (F15) (10-) | 1,6 16V | FL | 06.2010 | | 46211-1KK0A | |
| | | NISSAN | JUKE (F15) (10-) | 1,6 DIG-T | FL | 06.2010 | | 46211-1KK0A | |
| | | NISSAN | JUKE (F15) (10-) | | FL | 08.2014 | | 46211-1KK0A | |
| | | NISSAN | JUKE (F15) (10-) | | FL | 11.2012 | | 46211-1KK0A | |
| | | NISSAN | JUKE (F15) (10-) | 1,6 DIG-T 4x4 | FL | 06.2010 | | 46211-1KK0A | |
| | | NISSAN | JUKE (F15) (10-) | 1,6 DIG-T NismoRS 4x4 | FL | 08.2014 | | 46211-1KK0A | |
| | | NISSAN | JUKE (F15) (10-) | 1,6 16V | FL | 01.2013 | | 46211-1KK0A | |
| | | NISSAN | JUKE (F15) (10-) | 1,2 DIG-T | FL | 05.2014 | | 46211-1KK0A | |
| | | NISSAN | JUKE (F15) (10-) | 1,6 DIG-T Nismo 4x4 | FL | 02.2013 | | 46211-1KK0A | |
| 24.5140-0256.3 | 331445 | MERCEDES BENZ | GLE-Klasse (C292) Coupe (15-) | GLE 350 d 4-matic | | 03.2015 | | 166 420 03 48 | |
| | | MERCEDES BENZ | GLE-Klasse (C292) Coupe (15-) | GLE 400 4-matic | | 03.2015 | | 166 420 03 48 | |
| | | MERCEDES BENZ | GLE-Klasse (C292) Coupe (15-) | GLE 450 AMG 4-matic | | 03.2015 | | 166 420 03 48 | |
| | | MERCEDES BENZ | GLE-Klasse (C292) Coupe (15-) | GLE 63 AMG S 4-matic | | 03.2015 | | 166 420 03 48 | |
| | | MERCEDES BENZ | GLE-Klasse (C292) Coupe (15-) | GLE 63 AMG 4-matic | | 03.2015 | | 166 420 03 48 | |
| | | MERCEDES BENZ | GL-Klasse / GLS-Klasse (X166) (12-) | GL 400 4-matic | | 08.2013 | | 166 420 03 48 | |



| | | | | | | | |
|--|--|--|--|--|-------------------------------|--|--|
| | | | | | OE numbers per ATE pn. | | e.g. replaced pn. / miscellaneous |
|--|--|--|--|--|-------------------------------|--|--|



BSV - Brake hose front

| | | | | | | | |
|----------------|---------------|---------------|-------------------------------------|-----------------------|---------|---------------|--|
| 24.5140-0256.3 | 331445 | MERCEDES BENZ | GL-Klasse / GLS-Klasse (X166) (12-) | GL 63 AMG | 07.2012 | 166 420 03 48 | |
| | | MERCEDES BENZ | GL-Klasse / GLS-Klasse (X166) (12-) | GL 500 4-matic | 07.2012 | 166 420 03 48 | |
| | | MERCEDES BENZ | GL-Klasse / GLS-Klasse (X166) (12-) | GL 350 BT 4-matic | 07.2012 | 166 420 03 48 | |
| | | MERCEDES BENZ | M-Klasse/GLE-Klasse (W166) (11-) | ML 300 4-matic | 04.2014 | 166 420 03 48 | |
| | | MERCEDES BENZ | M-Klasse/GLE-Klasse (W166) (11-) | GLE 250 d | 04.2015 | 166 420 03 48 | |
| | | MERCEDES BENZ | M-Klasse/GLE-Klasse (W166) (11-) | GLE 320 4-matic | 10.2015 | 166 420 03 48 | |
| | | MERCEDES BENZ | M-Klasse/GLE-Klasse (W166) (11-) | GLE 350 d 4-matic | 04.2015 | 166 420 03 48 | |
| | | MERCEDES BENZ | M-Klasse/GLE-Klasse (W166) (11-) | GLE 400 4-matic | 04.2015 | 166 420 03 48 | |
| | | MERCEDES BENZ | M-Klasse/GLE-Klasse (W166) (11-) | GLE 500 4-matic | 04.2015 | 166 420 03 48 | |
| | | MERCEDES BENZ | M-Klasse/GLE-Klasse (W166) (11-) | GLE 500 e 4-matic | 04.2015 | 166 420 03 48 | |
| | | MERCEDES BENZ | M-Klasse/GLE-Klasse (W166) (11-) | GLE AMG 63 4-matic | 04.2015 | 166 420 03 48 | |
| | | MERCEDES BENZ | M-Klasse/GLE-Klasse (W166) (11-) | ML 250 CDI BT 4-matic | 06.2011 | 166 420 03 48 | |
| | | MERCEDES BENZ | M-Klasse/GLE-Klasse (W166) (11-) | ML 350 BE 4-matic | 06.2011 | 166 420 03 48 | |
| | | MERCEDES BENZ | M-Klasse/GLE-Klasse (W166) (11-) | ML 350 BT 4-matic | 06.2011 | 166 420 03 48 | |
| | | MERCEDES BENZ | M-Klasse/GLE-Klasse (W166) (11-) | ML 350 CDI 4-matic | 06.2011 | 166 420 03 48 | |
| | | MERCEDES BENZ | M-Klasse/GLE-Klasse (W166) (11-) | ML 400 4-matic | 08.2013 | 166 420 03 48 | |
| | | MERCEDES BENZ | M-Klasse/GLE-Klasse (W166) (11-) | ML 400 Hybrid 4-matic | 02.2012 | 166 420 03 48 | |
| | | MERCEDES BENZ | M-Klasse/GLE-Klasse (W166) (11-) | ML 500 BE 4-matic | 02.2012 | 166 420 03 48 | |
| | | MERCEDES BENZ | M-Klasse/GLE-Klasse (W166) (11-) | ML 63 AMG 4-matic | 04.2012 | 166 420 03 48 | |
| | | MERCEDES BENZ | M-Klasse/GLE-Klasse (W166) (11-) | GLE AMG 63 S 4-matic | 04.2015 | 166 420 03 48 | |



| | | | | | | | |
|--|--|--|--|--|------------------------|--|-----------------------------------|
| | | | | | OE numbers per ATE pn. | | e.g. replaced pn. / miscellaneous |
|--|--|--|--|--|------------------------|--|-----------------------------------|



BSV - Brake hose front

| | | | | | | | |
|----------------|---------------|---------------|----------------------------------|-------------------|---------|---------|---|
| 24.5140-0256.3 | 331445 | MERCEDES BENZ | M-Klasse/GLE-Klasse (W166) (11-) | GLE 250 d 4-matic | 04.2015 | | 166 420 03 48 |
| 24.5140-0495.3 | 331446 | AUDI | A8 (09-) | 3,0 TDI | 09.2011 | | 4H0 611 707 C |
| | | AUDI | A8 (09-) | 2,0 TFSI hybrid | 05.2012 | | 4H0 611 707 C |
| | | AUDI | A8 (09-) | S8 | 04.2012 | | 4H0 611 707 C |
| | | AUDI | A8 (09-) | 3,0 TDI quattro | 07.2010 | | 4H0 611 707 C |
| | | AUDI | A8 (09-) | | 09.2013 | | 4H0 611 707 C |
| | | AUDI | A8 (09-) | 3,0 TFSI quattro | 07.2010 | | 4H0 611 707 C |
| | | AUDI | A8 (09-) | 4,0 TFSI quattro | 03.2012 | | 4H0 611 707 C |
| | | AUDI | A8 (09-) | 4,2 FSI quattro | 11.2009 | | 4H0 611 707 C |
| | | AUDI | A8 (09-) | 4,2 TDI quattro | 09.2013 | | 4H0 611 707 C |
| | | AUDI | A8 (09-) | | 11.2009 | | 4H0 611 707 C |
| | | AUDI | A8 (09-) | 6,3 W12 quattro | 01.2011 | | 4H0 611 707 C |
| | | AUDI | A8 (09-) | 4,0 TFSI quattro | 09.2013 | | 4H0 611 707 C |
| 24.5176-0494.3 | 331447 | SAAB | 9-5 II (10-12) | 2,0 T BioPower | 03.2010 | 06.2012 | 20912237 , 5 62 148 , 13245046 , 13327441 , 5 62 129 , 5 62 181 |
| | | SAAB | 9-5 II (10-12) | 2,0 TTD XWD | 03.2010 | 06.2012 | 20912237 , 5 62 148 , 13245046 , 13327441 , 5 62 129 , 5 62 181 |
| | | SAAB | 9-5 II (10-12) | 2,0 TTD | 03.2010 | 06.2012 | 20912237 , 5 62 148 , 13245046 , 13327441 , 5 62 129 , 5 62 181 |



| | | | | | | | |
|--|--|--|--|--|-------------------------------|--|--|
| | | | | | OE numbers per ATE pn. | | e.g. replaced pn. / miscellaneous |
|--|--|--|--|--|-------------------------------|--|--|



BSV - Brake hose front

| | | | | | | | | |
|----------------|---------------|------|------------------------------------|-----------------------|---------|---------|---|--|
| 24.5176-0494.3 | 331447 | SAAB | 9-5 II (10-12) | 2,8 T V6 XWD | 03.2010 | 06.2012 | 20912237 , 5 62 148 , 13245046 , 13327441 , 5 62 129 , 5 62 181 | |
| | | SAAB | 9-5 II (10-12) | 2,0 TiD | 03.2010 | 06.2012 | 20912237 , 5 62 148 , 13245046 , 13327441 , 5 62 129 , 5 62 181 | |
| | | SAAB | 9-5 II (10-12) | 1,6 T | 03.2010 | 06.2012 | 20912237 , 5 62 148 , 13245046 , 13327441 , 5 62 129 , 5 62 181 | |
| | | SAAB | 9-5 II (10-12) | 2,0 T BioPower XWD | 03.2010 | 06.2012 | 20912237 , 5 62 148 , 13245046 , 13327441 , 5 62 129 , 5 62 181 | |
| | | SAAB | 9-5 II (10-12) | 2,0 T | 03.2010 | 06.2012 | 20912237 , 5 62 148 , 13245046 , 13327441 , 5 62 129 , 5 62 181 | |
| | | SAAB | 9-5 II (10-12) | 2,0 T XWD | 03.2010 | 06.2012 | 20912237 , 5 62 148 , 13245046 , 13327441 , 5 62 129 , 5 62 181 | |
| | | OPEL | INSIGNIA / Vauxhall Insignia (08-) | 2,0 BiTurbo CDTI 4x4 | 07.2008 | | 20912237 , 5 62 148 , 13245046 , 13327441 , 5 62 129 , 5 62 181 | |
| | | OPEL | INSIGNIA / Vauxhall Insignia (08-) | 1,6 | 07.2008 | | 20912237 , 5 62 148 , 13245046 , 13327441 , 5 62 129 , 5 62 181 | |
| | | OPEL | INSIGNIA / Vauxhall Insignia (08-) | 1,4 Turbo ecoFLEX | 06.2011 | | 20912237 , 5 62 148 , 13245046 , 13327441 , 5 62 129 , 5 62 181 | |
| | | OPEL | INSIGNIA / Vauxhall Insignia (08-) | 1,4 Turbo LPG ecoFLEX | 07.2012 | | 20912237 , 5 62 148 , 13245046 , 13327441 , 5 62 129 , 5 62 181 | |



| | | | | | | | |
|--|--|--|--|--|-------------------------------|--|--|
| | | | | | OE numbers per ATE pn. | | e.g. replaced pn. / miscellaneous |
|--|--|--|--|--|-------------------------------|--|--|



BSV - Brake hose front

| | | | | | | | | |
|----------------|---------------|------|------------------------------------|------------------|--|---------|---|--|
| 24.5176-0494.3 | 331447 | OPEL | INSIGNIA / Vauxhall Insignia (08-) | 2,0 Turbo 4x4 | | 09.2011 | 20912237 , 5 62 148 , 13245046 , 13327441 , 5 62 129 , 5 62 181 | |
| | | OPEL | INSIGNIA / Vauxhall Insignia (08-) | 1,8 | | 07.2008 | 20912237 , 5 62 148 , 13245046 , 13327441 , 5 62 129 , 5 62 181 | |
| | | OPEL | INSIGNIA / Vauxhall Insignia (08-) | 1,6 CDTi | | 07.2015 | 20912237 , 5 62 148 , 13245046 , 13327441 , 5 62 129 , 5 62 181 | |
| | | OPEL | INSIGNIA / Vauxhall Insignia (08-) | 2,8 V6 Turbo 4x4 | | 07.2008 | 20912237 , 5 62 148 , 13245046 , 13327441 , 5 62 129 , 5 62 181 | |
| | | OPEL | INSIGNIA / Vauxhall Insignia (08-) | 2,0 Turbo 4x4 | | 07.2008 | 20912237 , 5 62 148 , 13245046 , 13327441 , 5 62 129 , 5 62 181 | |
| | | OPEL | INSIGNIA / Vauxhall Insignia (08-) | 2,0 Turbo | | 07.2008 | 20912237 , 5 62 148 , 13245046 , 13327441 , 5 62 129 , 5 62 181 | |
| | | OPEL | INSIGNIA / Vauxhall Insignia (08-) | | | 04.2014 | 20912237 , 5 62 148 , 13245046 , 13327441 , 5 62 129 , 5 62 181 | |
| | | OPEL | INSIGNIA / Vauxhall Insignia (08-) | 2,0 CDTi 4x4 | | 07.2013 | 20912237 , 5 62 148 , 13245046 , 13327441 , 5 62 129 , 5 62 181 | |
| | | OPEL | INSIGNIA / Vauxhall Insignia (08-) | 1,6 Turbo | | 10.2008 | 20912237 , 5 62 148 , 13245046 , 13327441 , 5 62 129 , 5 62 181 | |
| | | OPEL | INSIGNIA / Vauxhall Insignia (08-) | 2,0 CDTi | | 07.2013 | 20912237 , 5 62 148 , 13245046 , 13327441 , 5 62 129 , 5 62 181 | |



| | | | | | | |
|--|--|--|--|--|-------------------------------|--|
| | | | | | OE numbers per ATE pn. | |
|--|--|--|--|--|-------------------------------|--|



BSV - Brake hose front

| | | | | | | |
|----------------|---------------|------|---|--------------------|---------|---|
| 24.5176-0494.3 | 331447 | OPEL | INSIGNIA / Vauxhall Insignia (08-) | 2,0 CDTI | 07.2008 | 20912237 , 5 62 148 , 13245046 , 13327441 , 5 62 129 , 5 62 181 |
| | | OPEL | INSIGNIA / Vauxhall Insignia (08-) | | 03.2013 | 20912237 , 5 62 148 , 13245046 , 13327441 , 5 62 129 , 5 62 181 |
| | | OPEL | INSIGNIA / Vauxhall Insignia (08-) | 1,6 SIDI | 03.2013 | 20912237 , 5 62 148 , 13245046 , 13327441 , 5 62 129 , 5 62 181 |
| | | OPEL | INSIGNIA / Vauxhall Insignia (08-) | 2,0 BiTurbo CDTI | 07.2008 | 20912237 , 5 62 148 , 13245046 , 13327441 , 5 62 129 , 5 62 181 |
| | | OPEL | INSIGNIA / Vauxhall Insignia (08-) | 2,0 CDTI 4x4 | 06.2010 | 20912237 , 5 62 148 , 13245046 , 13327441 , 5 62 129 , 5 62 181 |
| | | OPEL | INSIGNIA Country Tourer (13-) | | | 20912237 , 5 62 148 , 13245046 , 13327441 , 5 62 129 , 5 62 181 |
| | | OPEL | INSIGNIA Country Tourer (13-) | 2,0 SIDI Turbo 4x4 | | 20912237 , 5 62 148 , 13245046 , 13327441 , 5 62 129 , 5 62 181 |
| | | OPEL | INSIGNIA Country Tourer (13-) | 2,0 CDTI 4x4 | 09.2013 | 20912237 , 5 62 148 , 13245046 , 13327441 , 5 62 129 , 5 62 181 |
| | | OPEL | INSIGNIA Country Tourer (13-) | 2,0 SIDI Turbo 4x4 | 09.2013 | 20912237 , 5 62 148 , 13245046 , 13327441 , 5 62 129 , 5 62 181 |
| | | OPEL | INSIGNIA Sports Tourer / Vauxh. Insignia SportsTo | 2,0 CDTI | 03.2013 | 20912237 , 5 62 148 , 13245046 , 13327441 , 5 62 129 , 5 62 181 |



| | | | | | | | |
|--|--|--|--|--|-------------------------------|--|--|
| | | | | | OE numbers per ATE pn. | | e.g. replaced pn. / miscellaneous |
|--|--|--|--|--|-------------------------------|--|--|



BSV - Brake hose front

| | | | | | | | | | |
|----------------|---------------|------|---|----------------------|--|---------|--|---|--|
| 24.5176-0494.3 | 331447 | OPEL | INSIGNIA Sports Tourer / Vauxh. Insignia SportsTo | 2,0 Turbo | | 07.2008 | | 20912237 , 5 62 148 , 13245046 , 13327441 , 5 62 129 , 5 62 181 | |
| | | OPEL | INSIGNIA Sports Tourer / Vauxh. Insignia SportsTo | | | 04.2014 | | 20912237 , 5 62 148 , 13245046 , 13327441 , 5 62 129 , 5 62 181 | |
| | | OPEL | INSIGNIA Sports Tourer / Vauxh. Insignia SportsTo | 2,0 CDTi 4x4 | | 07.2013 | | 20912237 , 5 62 148 , 13245046 , 13327441 , 5 62 129 , 5 62 181 | |
| | | OPEL | INSIGNIA Sports Tourer / Vauxh. Insignia SportsTo | | | 06.2010 | | 20912237 , 5 62 148 , 13245046 , 13327441 , 5 62 129 , 5 62 181 | |
| | | OPEL | INSIGNIA Sports Tourer / Vauxh. Insignia SportsTo | 2,0 CDTi | | 07.2013 | | 20912237 , 5 62 148 , 13245046 , 13327441 , 5 62 129 , 5 62 181 | |
| | | OPEL | INSIGNIA Sports Tourer / Vauxh. Insignia SportsTo | | | 07.2008 | | 20912237 , 5 62 148 , 13245046 , 13327441 , 5 62 129 , 5 62 181 | |
| | | OPEL | INSIGNIA Sports Tourer / Vauxh. Insignia SportsTo | 2,0 Turbo 4x4 | | 09.2011 | | 20912237 , 5 62 148 , 13245046 , 13327441 , 5 62 129 , 5 62 181 | |
| | | OPEL | INSIGNIA Sports Tourer / Vauxh. Insignia SportsTo | 2,0 BiTurbo CDTI 4x4 | | 07.2008 | | 20912237 , 5 62 148 , 13245046 , 13327441 , 5 62 129 , 5 62 181 | |
| | | OPEL | INSIGNIA Sports Tourer / Vauxh. Insignia SportsTo | 2,0 BiTurbo CDTI | | 07.2008 | | 20912237 , 5 62 148 , 13245046 , 13327441 , 5 62 129 , 5 62 181 | |
| | | OPEL | INSIGNIA Sports Tourer / Vauxh. Insignia SportsTo | 1,8 | | 07.2008 | | 20912237 , 5 62 148 , 13245046 , 13327441 , 5 62 129 , 5 62 181 | |



| | | | | | | |
|--|--|--|--|--|-------------------------------|---------------------------------------|
| | | | | | OE numbers per ATE pn. | e.g. replaced pn. / miscellaneous |
|--|--|--|--|--|-------------------------------|---------------------------------------|



BSV - Brake hose front

| | | | | | | | | |
|----------------|---------------|-----------|---|-----------------------|--|---------|---|--|
| 24.5176-0494.3 | 331447 | OPEL | INSIGNIA Sports Tourer / Vauxh. Insignia SportsTo | 1,6 Turbo | | 10.2008 | 20912237 , 5 62 148 , 13245046 , 13327441 , 5 62 129 , 5 62 181 | |
| | | OPEL | INSIGNIA Sports Tourer / Vauxh. Insignia SportsTo | 1,6 SIDI | | 03.2013 | 20912237 , 5 62 148 , 13245046 , 13327441 , 5 62 129 , 5 62 181 | |
| | | OPEL | INSIGNIA Sports Tourer / Vauxh. Insignia SportsTo | 1,6 CDTi | | 07.2015 | 20912237 , 5 62 148 , 13245046 , 13327441 , 5 62 129 , 5 62 181 | |
| | | OPEL | INSIGNIA Sports Tourer / Vauxh. Insignia SportsTo | 1,6 | | 07.2008 | 20912237 , 5 62 148 , 13245046 , 13327441 , 5 62 129 , 5 62 181 | |
| | | OPEL | INSIGNIA Sports Tourer / Vauxh. Insignia SportsTo | 1,4 Turbo ecoFLEX | | 06.2011 | 20912237 , 5 62 148 , 13245046 , 13327441 , 5 62 129 , 5 62 181 | |
| | | OPEL | INSIGNIA Sports Tourer / Vauxh. Insignia SportsTo | 1,4 Turbo LPG ecoFLEX | | 07.2012 | 20912237 , 5 62 148 , 13245046 , 13327441 , 5 62 129 , 5 62 181 | |
| | | OPEL | INSIGNIA Sports Tourer / Vauxh. Insignia SportsTo | 2,0 Turbo 4x4 | | 07.2008 | 20912237 , 5 62 148 , 13245046 , 13327441 , 5 62 129 , 5 62 181 | |
| | | CHEVROLET | MALIBU (V300) (12-) | 2,0 16V | | 02.2012 | 20912237 , 5 62 148 , 13245046 , 13327441 , 5 62 129 , 5 62 181 | |
| | | CHEVROLET | MALIBU (V300) (12-) | 2,4 16V | | 01.2012 | 20912237 , 5 62 148 , 13245046 , 13327441 , 5 62 129 , 5 62 181 | |
| | | CHEVROLET | MALIBU (V300) (12-) | 2,0 VDCi | | 04.2012 | 20912237 , 5 62 148 , 13245046 , 13327441 , 5 62 129 , 5 62 181 | |



| | | | | | | | |
|--|--|--|--|--|-------------------------------|--|--|
| | | | | | OE numbers per ATE pn. | | e.g. replaced pn. / miscellaneous |
|--|--|--|--|--|-------------------------------|--|--|



BSV - Brake hose front

| | | | | | | | | | |
|----------------|---------------|-----------|---------------------|---------|--|---------|--|---|--|
| 24.5176-0494.3 | 331447 | CHEVROLET | MALIBU (V300) (12-) | 2,0 LPG | | 02.2012 | | 20912237 , 5 62 148 , 13245046 , 13327441 , 5 62 129 , 5 62 181 | |
| | | CHEVROLET | MALIBU (V300) (12-) | 2,0 16V | | 12.2012 | | 20912237 , 5 62 148 , 13245046 , 13327441 , 5 62 129 , 5 62 181 | |



HBS - Handbrake cable

| | | | | | | | | | |
|----------------|---------------|--------|-----------------|-------------------|----|---------|---------|---------------------------|--|
| 24.3727-1958.2 | 581958 | TOYOTA | COROLLA (06-13) | 1,4 D-4D (NDE150) | RR | 01.2009 | 05.2013 | 46420-12590 , 46420-12730 | |
| | | TOYOTA | COROLLA (06-13) | 2,0 D-4D (ADE150) | RR | 01.2007 | 05.2013 | 46420-12590 , 46420-12730 | |



HBZ - Master cylinder

| | | | | | | | | | |
|----------------|---------------|------|-----------------|--------------|--|---------|---------|---|--|
| 24.2125-1721.3 | 010673 | FORD | TRANSIT (00-06) | 2,4 TDCi RWD | | 03.2004 | 04.2006 | 4525694 , 4059371 , YC15- 2K478-AA , YC15-2K478-AB | |
| | | FORD | TRANSIT (00-06) | 2,4 TDCi | | 03.2004 | 04.2006 | 4525694 , 4059371 , YC15- 2K478-AA , YC15-2K478-AB | |
| | | FORD | TRANSIT (00-06) | 2,3 i 16V | | 04.2001 | 04.2006 | 4525694 , 4059371 , YC15- 2K478-AA , YC15-2K478-AB | |
| | | FORD | TRANSIT (00-06) | 2,4 TDE RWD | | 11.2001 | 04.2006 | 4525694 , 4059371 , YC15- 2K478-AA , YC15-2K478-AB | |
| | | FORD | TRANSIT (00-06) | 2,4 TDE | | 11.2001 | 04.2006 | 4525694 , 4059371 , YC15- 2K478-AA , YC15-2K478-AB | |



| | | | | | | | |
|--|--|--|--|--|-------------------------------|--|--|
| | | | | | OE numbers per ATE pn. | | e.g. replaced pn. / miscellaneous |
|--|--|--|--|--|-------------------------------|--|--|



HBZ - Master cylinder

| | | | | | | | | |
|----------------|---------------|------|----------------------|------------------|---------|---------|---|--|
| 24.2125-1721.3 | 010673 | FORD | TRANSIT (00-06) | 2,0 DI | 08.2000 | 04.2006 | 4525694 , 4059371 , YC15-2K478-AA , YC15-2K478-AB | |
| | | FORD | TRANSIT (00-06) | 2,4 TDdi | 08.2000 | 04.2006 | 4525694 , 4059371 , YC15-2K478-AA , YC15-2K478-AB | |
| | | FORD | TRANSIT (00-06) | 2,4 DI | 01.2000 | 04.2006 | 4525694 , 4059371 , YC15-2K478-AA , YC15-2K478-AB | |
| | | FORD | TRANSIT (00-06) | 2,0 TDCi | 08.2002 | 04.2006 | 4525694 , 4059371 , YC15-2K478-AA , YC15-2K478-AB | |
| | | FORD | TRANSIT (00-06) | 2,4 DI RWD | 01.2000 | 04.2006 | 4525694 , 4059371 , YC15-2K478-AA , YC15-2K478-AB | |
| | | FORD | TRANSIT (00-06) | 2,4 TDdi | 10.2001 | 04.2006 | 4525694 , 4059371 , YC15-2K478-AA , YC15-2K478-AB | |
| | | FORD | TRANSIT (00-06) | 2,3 16V RWD | 08.2000 | 04.2006 | 4525694 , 4059371 , YC15-2K478-AA , YC15-2K478-AB | |
| | | FORD | TRANSIT (00-06) | 2,4 TD Allrad | 08.2000 | 04.2006 | 4525694 , 4059371 , YC15-2K478-AA , YC15-2K478-AB | |
| 03.4153-5403.3 | 010994 | AUDI | A3 (8V) Cabrio (13-) | 1,8 TFSI quattro | 03.2014 | | 8V1 611 021 | |
| | | AUDI | A3 (8V) Cabrio (13-) | 1,4 TFSI | 10.2013 | | 8V1 611 021 | |
| | | AUDI | A3 (8V) Cabrio (13-) | 1,6 TDI | 10.2013 | | 8V1 611 021 | |
| | | AUDI | A3 (8V) Cabrio (13-) | 1,4 TFSI | 05.2014 | | 8V1 611 021 | |
| | | AUDI | A3 (8V) Cabrio (13-) | 1,8 TFSI | 10.2013 | | 8V1 611 021 | |
| | | AUDI | A3 (8V) Cabrio (13-) | 2,0 TDI | 05.2014 | | 8V1 611 021 | |
| | | AUDI | A3 (8V) Cabrio (13-) | | 10.2013 | | 8V1 611 021 | |
| | | AUDI | A3 (8V) Cabrio (13-) | 2,0 TDI quattro | 03.2014 | | 8V1 611 021 | |



| | | | | | | | |
|--|--|--|--|--|-------------------------------|--|--|
| | | | | | OE numbers per ATE pn. | | e.g. replaced pn. / miscellaneous |
|--|--|--|--|--|-------------------------------|--|--|



HBZ - Master cylinder

| | | | | | | | |
|----------------|---------------|------|------------------------------|------------------|---------|-------------|--|
| 03.4153-5403.3 | 010994 | AUDI | A3 (8V) Cabrio (13-) | 2,0 TDI quattro | 05.2014 | 8V1 611 021 | |
| | | AUDI | A3 (8V) Cabrio (13-) | 2,0 TFSI quattro | 05.2014 | 8V1 611 021 | |
| | | AUDI | A3 (8V) Cabrio (13-) | S3 | 04.2014 | 8V1 611 021 | |
| | | AUDI | A3 / A3 (8V) Sportback (12-) | 2,0 TDI | 01.2013 | 8V1 611 021 | |
| | | AUDI | A3 / A3 (8V) Sportback (12-) | 1,8 TFSI | 08.2012 | 8V1 611 021 | |
| | | AUDI | A3 / A3 (8V) Sportback (12-) | 1,6 TDI quattro | 05.2015 | 8V1 611 021 | |
| | | AUDI | A3 / A3 (8V) Sportback (12-) | 1,6 TDI | 09.2012 | 8V1 611 021 | |
| | | AUDI | A3 / A3 (8V) Sportback (12-) | 1,8 TFSI quattro | 08.2012 | 8V1 611 021 | |
| | | AUDI | A3 / A3 (8V) Sportback (12-) | 2,0 TDI quattro | 12.2012 | 8V1 611 021 | |
| | | AUDI | A3 / A3 (8V) Sportback (12-) | 2,0 TDI | 12.2012 | 8V1 611 021 | |
| | | AUDI | A3 / A3 (8V) Sportback (12-) | 1,6 TDI | 08.2013 | 8V1 611 021 | |
| | | AUDI | A3 / A3 (8V) Sportback (12-) | 1,4 TFSI g-tron | 02.2014 | 8V1 611 021 | |
| | | AUDI | A3 / A3 (8V) Sportback (12-) | 1,4 TFSI e-tron | 02.2014 | 8V1 611 021 | |
| | | AUDI | A3 / A3 (8V) Sportback (12-) | 1,4 TFSI | 10.2012 | 8V1 611 021 | |
| | | AUDI | A3 / A3 (8V) Sportback (12-) | | 09.2013 | 8V1 611 021 | |
| | | AUDI | A3 / A3 (8V) Sportback (12-) | | 08.2012 | 8V1 611 021 | |
| | | AUDI | A3 / A3 (8V) Sportback (12-) | | 05.2014 | 8V1 611 021 | |
| | | AUDI | A3 / A3 (8V) Sportback (12-) | 1,2 TFSI | 05.2014 | 8V1 611 021 | |
| | | AUDI | A3 / A3 (8V) Sportback (12-) | | 02.2013 | 8V1 611 021 | |
| | | AUDI | A3 / A3 (8V) Sportback (12-) | 2,0 TDI | 08.2012 | 8V1 611 021 | |



| | | | | | | | |
|--|--|--|--|--|------------------------|--|-----------------------------------|
| | | | | | OE numbers per ATE pn. | | e.g. replaced pn. / miscellaneous |
|--|--|--|--|--|------------------------|--|-----------------------------------|



HBZ - Master cylinder

| | | | | | | | |
|----------------|---------------|------------|------------------------------|---------------------|---------|-------------|--|
| 03.4153-5403.3 | 010994 | AUDI | A3 / A3 (8V) Sportback (12-) | 2,0 TDI | 05.2013 | 8V1 611 021 | |
| | | AUDI | A3 / A3 (8V) Sportback (12-) | 2,0 TDI quattro | 10.2012 | 8V1 611 021 | |
| | | VOLKSWAGEN | GOLF VII (12-) | 1,4 TSI Multifuel | 12.2013 | 8V1 611 021 | |
| | | VOLKSWAGEN | GOLF VII (12-) | 1,6 TDI | 06.2013 | 8V1 611 021 | |
| | | VOLKSWAGEN | GOLF VII (12-) | 2,0 TDI 4motion | 11.2012 | 8V1 611 021 | |
| | | VOLKSWAGEN | GOLF VII (12-) | 2,0 TDI | 11.2012 | 8V1 611 021 | |
| | | VOLKSWAGEN | GOLF VII (12-) | | 08.2012 | 8V1 611 021 | |
| | | VOLKSWAGEN | GOLF VII (12-) | 2,0 R 4motion | 09.2013 | 8V1 611 021 | |
| | | VOLKSWAGEN | GOLF VII (12-) | 2,0 GTI Performance | 03.2013 | 8V1 611 021 | |
| | | VOLKSWAGEN | GOLF VII (12-) | 2,0 GTI | 03.2013 | 8V1 611 021 | |
| | | VOLKSWAGEN | GOLF VII (12-) | 2,0 GTD | 03.2013 | 8V1 611 021 | |
| | | VOLKSWAGEN | GOLF VII (12-) | 1,4 TSI | 11.2012 | 8V1 611 021 | |
| | | VOLKSWAGEN | GOLF VII (12-) | 1,6 TDI | 11.2012 | 8V1 611 021 | |
| | | VOLKSWAGEN | GOLF VII (12-) | 1,0 TSI | 05.2015 | 8V1 611 021 | |
| | | VOLKSWAGEN | GOLF VII (12-) | 1,6 TDI | 04.2013 | 8V1 611 021 | |
| | | VOLKSWAGEN | GOLF VII (12-) | 1,6 | 05.2014 | 8V1 611 021 | |
| | | VOLKSWAGEN | GOLF VII (12-) | 1,2 TSI | 11.2012 | 8V1 611 021 | |
| | | VOLKSWAGEN | GOLF VII (12-) | 1,4 TSI Multifuel | 04.2013 | 8V1 611 021 | |
| | | VOLKSWAGEN | GOLF VII (12-) | 1,4 TGI | 08.2013 | 8V1 611 021 | |
| | | VOLKSWAGEN | GOLF VII (12-) | 1,6 TDI 4motion | 01.2013 | 8V1 611 021 | |



| | | | | | | | |
|--|--|--|--|--|------------------------|--|-----------------------------------|
| | | | | | OE numbers per ATE pn. | | e.g. replaced pn. / miscellaneous |
|--|--|--|--|--|------------------------|--|-----------------------------------|



HBZ - Master cylinder

| | | | | | | | |
|----------------|--------|------------|-------------------------------|-------------------|---------|-------------|--|
| 03.4153-5403.3 | 010994 | VOLKSWAGEN | GOLF VII (12-) | 1,2 TSI | 04.2014 | 8V1 611 021 | |
| | | VOLKSWAGEN | GOLF VII (12-) | 1,6 TDI 4motion | 11.2012 | 8V1 611 021 | |
| | | VOLKSWAGEN | GOLF VII (12-) | 1,4 TSI | 05.2014 | 8V1 611 021 | |
| | | VOLKSWAGEN | GOLF VII Variant (13-) | 1,6 | 05.2014 | 8V1 611 021 | |
| | | VOLKSWAGEN | GOLF VII Variant (13-) | 1,2 TSI | 04.2014 | 8V1 611 021 | |
| | | VOLKSWAGEN | GOLF VII Variant (13-) | | 07.2013 | 8V1 611 021 | |
| | | VOLKSWAGEN | GOLF VII Variant (13-) | 1,4 TSI | 05.2014 | 8V1 611 021 | |
| | | VOLKSWAGEN | GOLF VII Variant (13-) | | 07.2013 | 8V1 611 021 | |
| | | VOLKSWAGEN | GOLF VII Variant (13-) | 1,4 TSI CNG | 09.2013 | 8V1 611 021 | |
| | | VOLKSWAGEN | GOLF VII Variant (13-) | 1,0 TSI | 05.2015 | 8V1 611 021 | |
| | | VOLKSWAGEN | GOLF VII Variant (13-) | 1,4 TSI MultiFuel | 05.2014 | 8V1 611 021 | |
| | | VOLKSWAGEN | GOLF VII Variant (13-) | 2,0 GTD | 01.2015 | 8V1 611 021 | |
| | | VOLKSWAGEN | GOLF VII Variant (13-) | 1,6 TDI | 07.2013 | 8V1 611 021 | |
| | | VOLKSWAGEN | GOLF VII Variant (13-) | 1,6 TDI 4motion | 07.2013 | 8V1 611 021 | |
| | | VOLKSWAGEN | GOLF VII Variant (13-) | 2,0 R 4motion | 03.2015 | 8V1 611 021 | |
| | | VOLKSWAGEN | GOLF VII Variant (13-) | 2,0 TDI | 07.2013 | 8V1 611 021 | |
| | | VOLKSWAGEN | GOLF VII Variant (13-) | 2,0 TDI 4motion | 07.2013 | 8V1 611 021 | |
| | | VOLKSWAGEN | GOLF VII Variant (13-) | 1,4 TSI MultiFuel | 04.2013 | 8V1 611 021 | |
| | | SEAT | LEON III (5F) / SC / ST (12-) | 1,6 TDI 4Drive | 11.2014 | 8V1 611 021 | |
| | | SEAT | LEON III (5F) / SC / ST (12-) | 1,2 TSI | 04.2014 | 8V1 611 021 | |



| | | | | | | | |
|--|--|--|--|--|------------------------|--|-----------------------------------|
| | | | | | OE numbers per ATE pn. | | e.g. replaced pn. / miscellaneous |
|--|--|--|--|--|------------------------|--|-----------------------------------|



HBZ - Master cylinder

| | | | | | | |
|----------------|--------|-------|-------------------------------|----------------|---------|-------------|
| 03.4153-5403.3 | 010994 | SEAT | LEON III (5F) / SC / ST (12-) | 1,2 TSI | 09.2012 | 8V1 611 021 |
| | | SEAT | LEON III (5F) / SC / ST (12-) | 1,4 TGI | 10.2013 | 8V1 611 021 |
| | | SEAT | LEON III (5F) / SC / ST (12-) | 1,4 TSI | 05.2014 | 8V1 611 021 |
| | | SEAT | LEON III (5F) / SC / ST (12-) | | 09.2012 | 8V1 611 021 |
| | | SEAT | LEON III (5F) / SC / ST (12-) | 1,0 TSI | 05.2015 | 8V1 611 021 |
| | | SEAT | LEON III (5F) / SC / ST (12-) | 1,6 TDI | 09.2013 | 8V1 611 021 |
| | | SEAT | LEON III (5F) / SC / ST (12-) | 1,6 TDI 4Drive | 04.2014 | 8V1 611 021 |
| | | SEAT | LEON III (5F) / SC / ST (12-) | 1,8 TSI 4Drive | 11.2014 | 8V1 611 021 |
| | | SEAT | LEON III (5F) / SC / ST (12-) | 2,0 Cupra | 10.2013 | 8V1 611 021 |
| | | SEAT | LEON III (5F) / SC / ST (12-) | 2,0 TDI | 05.2013 | 8V1 611 021 |
| | | SEAT | LEON III (5F) / SC / ST (12-) | | 09.2012 | 8V1 611 021 |
| | | SEAT | LEON III (5F) / SC / ST (12-) | 2,0 TDI 4Drive | 04.2014 | 8V1 611 021 |
| | | SEAT | LEON III (5F) / SC / ST (12-) | | 11.2014 | 8V1 611 021 |
| | | SEAT | LEON III (5F) / SC / ST (12-) | 1,6 TDI | 09.2012 | 8V1 611 021 |
| | | SEAT | LEON III (5F) / SC / ST (12-) | 1,8 TSI | 09.2012 | 8V1 611 021 |
| | | SKODA | OCTAVIA III (5E) (12-) | 1,4 TSI | 05.2015 | 8V1 611 021 |
| | | SKODA | OCTAVIA III (5E) (12-) | 2,0 TDI | 11.2012 | 8V1 611 021 |
| | | SKODA | OCTAVIA III (5E) (12-) | 1,2 TSI | 05.2015 | 8V1 611 021 |
| | | SKODA | OCTAVIA III (5E) (12-) | 2,0 TSI RS | 05.2015 | 8V1 611 021 |
| | | SKODA | OCTAVIA III (5E) (12-) | | 05.2013 | 8V1 611 021 |



| | | | | | | | |
|--|--|--|--|--|-------------------------------|--|--|
| | | | | | OE numbers per ATE pn. | | e.g. replaced pn. / miscellaneous |
|--|--|--|--|--|-------------------------------|--|--|



HBZ - Master cylinder

| | | | | | | | |
|----------------|---------------|-------|------------------------|---------------|---------|---|--|
| 03.4153-5403.3 | 010994 | SKODA | OCTAVIA III (5E) (12-) | 1,6 | 01.2014 | 8V1 611 021 | |
| | | SKODA | OCTAVIA III (5E) (12-) | 2,0 TDI 4x4 | 09.2014 | 8V1 611 021 | |
| | | SKODA | OCTAVIA III (5E) (12-) | 1,4 TSI | 11.2012 | 8V1 611 021 | |
| | | SKODA | OCTAVIA III (5E) (12-) | 1,2 TSI | 02.2013 | 8V1 611 021 | |
| | | SKODA | OCTAVIA III (5E) (12-) | 2,0 TDI 4x4 | 11.2012 | 8V1 611 021 | |
| | | SKODA | OCTAVIA III (5E) (12-) | 1,6 TDI | 02.2013 | 8V1 611 021 | |
| | | SKODA | OCTAVIA III (5E) (12-) | 1,6 TDI 4x4 | 05.2015 | 8V1 611 021 | |
| | | SKODA | OCTAVIA III (5E) (12-) | | 11.2012 | 8V1 611 021 | |
| | | SKODA | OCTAVIA III (5E) (12-) | 1,8 TSI | 11.2012 | 8V1 611 021 | |
| | | SKODA | OCTAVIA III (5E) (12-) | 1,8 TSI 4x4 | 11.2012 | 8V1 611 021 | |
| | | SKODA | OCTAVIA III (5E) (12-) | 2,0 TDI | 02.2013 | 8V1 611 021 | |
| | | SKODA | OCTAVIA III (5E) (12-) | | 05.2013 | 8V1 611 021 | |
| | | SKODA | OCTAVIA III (5E) (12-) | 1,4 TSI G-TEC | 11.2013 | 8V1 611 021 | |
| 03.4155-5451.3 | 010995 | FORD | C-MAX II (10-) | 1,6 EcoBoost | 12.2010 | DV61-2140-JA , 1844832 , 1694253 , AV61-2140-JA | |
| | | FORD | C-MAX II (10-) | 1,5 EcoBoost | 03.2015 | DV61-2140-JA , 1844832 , 1694253 , AV61-2140-JA | |
| | | FORD | C-MAX II (10-) | 1,6 Flexifuel | 02.2011 | DV61-2140-JA , 1844832 , 1694253 , AV61-2140-JA | |
| | | FORD | C-MAX II (10-) | 1,0 EcoBoost | 09.2012 | DV61-2140-JA , 1844832 , 1694253 , AV61-2140-JA | |



| | | | | | | |
|---|---|---|---|---|-------------------------------|--|
|  |  |  |  |  | OE numbers per ATE pn. |  e.g. replaced pn. / miscellaneous |
|---|---|---|---|---|-------------------------------|--|



HBZ - Master cylinder

| | | | | | | |
|----------------|--------|------|-----------------|----------------------|---------|--|
| 03.4155-5451.3 | 010995 | FORD | C-MAX II (10-) | 1,6 TDCi | 12.2010 | DV61-2140-JA, 1844832, 1694253, AV61-2140-JA |
| | | FORD | C-MAX II (10-) | 2,0 TDCi | 12.2010 | DV61-2140-JA, 1844832, 1694253, AV61-2140-JA |
| | | FORD | C-MAX II (10-) | | 03.2015 | DV61-2140-JA, 1844832, 1694253, AV61-2140-JA |
| | | FORD | C-MAX II (10-) | | 02.2011 | DV61-2140-JA, 1844832, 1694253, AV61-2140-JA |
| | | FORD | C-MAX II (10-) | 1,6 Ti-VCT | 12.2010 | DV61-2140-JA, 1844832, 1694253, AV61-2140-JA |
| | | FORD | C-MAX II (10-) | | 02.2012 | DV61-2140-JA, 1844832, 1694253, AV61-2140-JA |
| | | FORD | C-MAX II (10-) | 1,6 LPG | 02.2012 | DV61-2140-JA, 1844832, 1694253, AV61-2140-JA |
| | | FORD | FOCUS III (11-) | 1,5 EcoBoost | 09.2014 | DV61-2140-JA, 1844832, 1694253, AV61-2140-JA |
| | | FORD | FOCUS III (11-) | 1,5 TDCi | 09.2014 | DV61-2140-JA, 1844832, 1694253, AV61-2140-JA |
| | | FORD | FOCUS III (11-) | 1,6 EcoBoost | 03.2011 | DV61-2140-JA, 1844832, 1694253, AV61-2140-JA |
| | | FORD | FOCUS III (11-) | 1,0 EcoBoost | 02.2012 | DV61-2140-JA, 1844832, 1694253, AV61-2140-JA |
| | | FORD | FOCUS III (11-) | 2,0 TDCi | 11.2014 | DV61-2140-JA, 1844832, 1694253, AV61-2140-JA |
| | | FORD | FOCUS III (11-) | 1,5 TDCi ECOnetic | 09.2014 | DV61-2140-JA, 1844832, 1694253, AV61-2140-JA |
| | | FORD | FOCUS III (11-) | 1,6 Ti-VCT Flexifuel | 03.2011 | DV61-2140-JA, 1844832, 1694253, AV61-2140-JA |



| | | | | | | |
|--|--|--|--|--|-------------------------------|---------------------------------------|
| | | | | | OE numbers per ATE pn. | e.g. replaced pn. / miscellaneous |
|--|--|--|--|--|-------------------------------|---------------------------------------|



HBZ - Master cylinder

| | | | | | | |
|----------------|---------------|------|---|-------------------|---------|---|
| 03.4155-5451.3 | 010995 | FORD | FOCUS III (11-) | 1,6 Ti-VCT | 08.2011 | DV61-2140-JA , 1844832 , 1694253 , AV61-2140-JA |
| | | FORD | FOCUS III (11-) | | 03.2011 | DV61-2140-JA , 1844832 , 1694253 , AV61-2140-JA |
| | | FORD | FOCUS III (11-) | 1,6 LPG | 02.2012 | DV61-2140-JA , 1844832 , 1694253 , AV61-2140-JA |
| | | FORD | FOCUS III (11-) | 1,6 TDCi | 03.2011 | DV61-2140-JA , 1844832 , 1694253 , AV61-2140-JA |
| | | FORD | FOCUS III (11-) | 2,0 EcoBoost ST | 06.2012 | DV61-2140-JA , 1844832 , 1694253 , AV61-2140-JA |
| | | FORD | FOCUS III (11-) | 1,6 Ti-VCT | 02.2012 | DV61-2140-JA , 1844832 , 1694253 , AV61-2140-JA |
| | | FORD | FOCUS III (11-) | 2,0 TDCi | 03.2011 | DV61-2140-JA , 1844832 , 1694253 , AV61-2140-JA |
| | | FORD | FOCUS III (11-) | 1,6 Flexifuel | 07.2013 | DV61-2140-JA , 1844832 , 1694253 , AV61-2140-JA |
| | | FORD | FOCUS III (11-) | 1,6 TDCi ECONetic | 04.2012 | DV61-2140-JA , 1844832 , 1694253 , AV61-2140-JA |
| | | FORD | GRAND C-MAX (10-) | 2,0 TDCi | 12.2010 | DV61-2140-JA , 1844832 , 1694253 , AV61-2140-JA |
| | | FORD | GRAND C-MAX (10-) | | 03.2015 | DV61-2140-JA , 1844832 , 1694253 , AV61-2140-JA |
| | | FORD | TRANSIT CONNECT / TOURNEO CONNECT (13-) | 1,6 EcoBoost | 09.2013 | DV61-2140-JA , 1844832 , 1694253 , AV61-2140-JA |
| | | FORD | TRANSIT CONNECT / TOURNEO CONNECT (13-) | 1,6 TDCi | 09.2013 | DV61-2140-JA , 1844832 , 1694253 , AV61-2140-JA |
| | | FORD | TRANSIT CONNECT / TOURNEO CONNECT (13-) | 1,0 EcoBoost | 09.2013 | DV61-2140-JA , 1844832 , 1694253 , AV61-2140-JA |



| | | | | | | |
|--|--|--|--|--|-------------------------------|---------------------------------------|
| | | | | | OE numbers per ATE pn. | e.g. replaced pn. / miscellaneous |
|--|--|--|--|--|-------------------------------|---------------------------------------|



HBZ - Master cylinder

| | | | | | | |
|----------------|---------------|------|-------------------|------------------|---------|---|
| 03.4155-5456.3 | 010996 | FORD | GRAND C-MAX (10-) | 1,6 LPG | 02.2012 | 1841986 , DV61-2140-GA , 1694251 , AV61-2140-GA |
| | | FORD | GRAND C-MAX (10-) | 1,6 Flexifuel | 02.2011 | 1841986 , DV61-2140-GA , 1694251 , AV61-2140-GA |
| | | FORD | GRAND C-MAX (10-) | 1,0 EcoBoost | 09.2012 | 1841986 , DV61-2140-GA , 1694251 , AV61-2140-GA |
| | | FORD | GRAND C-MAX (10-) | 1,5 EcoBoost | 03.2015 | 1841986 , DV61-2140-GA , 1694251 , AV61-2140-GA |
| | | FORD | GRAND C-MAX (10-) | 2,0 TDCi | 12.2010 | 1841986 , DV61-2140-GA , 1694251 , AV61-2140-GA |
| | | FORD | GRAND C-MAX (10-) | 1,6 EcoBoost | 12.2010 | 1841986 , DV61-2140-GA , 1694251 , AV61-2140-GA |
| | | FORD | GRAND C-MAX (10-) | 1,6 Ti-VCT | 12.2010 | 1841986 , DV61-2140-GA , 1694251 , AV61-2140-GA |
| | | FORD | GRAND C-MAX (10-) | 1,6 TDCi | 12.2010 | 1841986 , DV61-2140-GA , 1694251 , AV61-2140-GA |
| | | FORD | GRAND C-MAX (10-) | 1,5 TDCi | 03.2015 | 1841986 , DV61-2140-GA , 1694251 , AV61-2140-GA |
| | | FORD | KUGA II (13-) | 2,0 TDCi 4x4 | 09.2014 | 1841986 , DV61-2140-GA , 1694251 , AV61-2140-GA |
| | | FORD | KUGA II (13-) | 1,6 EcoBoost 4x4 | 01.2013 | 1841986 , DV61-2140-GA , 1694251 , AV61-2140-GA |
| | | FORD | KUGA II (13-) | 1,6 EcoBoost | 01.2013 | 1841986 , DV61-2140-GA , 1694251 , AV61-2140-GA |
| | | FORD | KUGA II (13-) | 1,5 EcoBoost | 09.2014 | 1841986 , DV61-2140-GA , 1694251 , AV61-2140-GA |
| | | FORD | KUGA II (13-) | 2,0 TDCi | 03.2013 | 1841986 , DV61-2140-GA , 1694251 , AV61-2140-GA |



| | | | | | | |
|--|--|--|--|--|-------------------------------|---------------------------------------|
| | | | | | OE numbers per ATE pn. | e.g. replaced pn. / miscellaneous |
|--|--|--|--|--|-------------------------------|---------------------------------------|



HBZ - Master cylinder

| | | | | | | |
|----------------|---------------|---------------|---|-------------------|---------|---|
| 03.4155-5456.3 | 010996 | FORD | KUGA II (13-) | 1,5 EcoBoost 4x4 | 09.2014 | 1841986 , DV61-2140-GA , 1694251 , AV61-2140-GA |
| | | FORD | KUGA II (13-) | 2,0 TDCi | 01.2013 | 1841986 , DV61-2140-GA , 1694251 , AV61-2140-GA |
| | | FORD | KUGA II (13-) | | 09.2014 | 1841986 , DV61-2140-GA , 1694251 , AV61-2140-GA |
| | | FORD | KUGA II (13-) | 2,0 TDCi 4x4 | 01.2013 | 1841986 , DV61-2140-GA , 1694251 , AV61-2140-GA |
| | | FORD | KUGA II (13-) | | 03.2013 | 1841986 , DV61-2140-GA , 1694251 , AV61-2140-GA |
| | | FORD | TRANSIT CONNECT / TOURNEO CONNECT (13-) | 1,6 EcoBoost | 09.2013 | 1841986 , DV61-2140-GA , 1694251 , AV61-2140-GA |
| | | FORD | TRANSIT CONNECT / TOURNEO CONNECT (13-) | 1,6 TDCi | 09.2013 | 1841986 , DV61-2140-GA , 1694251 , AV61-2140-GA |
| | | FORD | TRANSIT CONNECT / TOURNEO CONNECT (13-) | 1,0 EcoBoost | 09.2013 | 1841986 , DV61-2140-GA , 1694251 , AV61-2140-GA |
| 03.4156-5106.3 | 010997 | MERCEDES BENZ | E-Class (S212) Estate (09-) | E 250 | 03.2013 | 212 430 06 01 |
| | | MERCEDES BENZ | E-Class (S212) Estate (09-) | E 250 CDI | 11.2009 | 212 430 06 01 |
| | | MERCEDES BENZ | E-Class (S212) Estate (09-) | E 300 CDI | 03.2011 | 212 430 06 01 |
| | | MERCEDES BENZ | E-Class (S212) Estate (09-) | E 250 CDI 4-matic | 07.2010 | 212 430 06 01 |
| | | MERCEDES BENZ | E-Class (S212) Estate (09-) | E 250 CGI | 11.2009 | 212 430 06 01 |
| | | MERCEDES BENZ | E-Class (S212) Estate (09-) | E 300 | 07.2011 | 212 430 06 01 |
| | | MERCEDES BENZ | E-Class (S212) Estate (09-) | E 300 4-matic | 07.2011 | 212 430 06 01 |
| | | MERCEDES BENZ | E-Class (S212) Estate (09-) | E 63 AMG S | 04.2013 | 212 430 06 01 |



| | | | | | | |
|--|--|----------|--|--|-------------------------------|---|
| | | i | | | OE numbers per ATE pn. | i e.g. replaced pn. / miscellaneous |
|--|--|----------|--|--|-------------------------------|---|



HBZ - Master cylinder

| | | | | | | | |
|----------------|---------------|---------------|-----------------------------|-----------------------|---------|---------------|--|
| 03.4156-5106.3 | 010997 | MERCEDES BENZ | E-Class (S212) Estate (09-) | E 300 | 11.2009 | 212 430 06 01 | |
| | | MERCEDES BENZ | E-Class (S212) Estate (09-) | E 350 BlueTec | 11.2009 | 212 430 06 01 | |
| | | MERCEDES BENZ | E-Class (S212) Estate (09-) | E 350 CGI | 11.2009 | 212 430 06 01 | |
| | | MERCEDES BENZ | E-Class (S212) Estate (09-) | E 350 CDI 4-matic | 11.2009 | 212 430 06 01 | |
| | | MERCEDES BENZ | E-Class (S212) Estate (09-) | | 07.2011 | 212 430 06 01 | |
| | | MERCEDES BENZ | E-Class (S212) Estate (09-) | E 350 CDI | 11.2009 | 212 430 06 01 | |
| | | MERCEDES BENZ | E-Class (S212) Estate (09-) | | 07.2011 | 212 430 06 01 | |
| | | MERCEDES BENZ | E-Class (S212) Estate (09-) | E 400 | 01.2013 | 212 430 06 01 | |
| | | MERCEDES BENZ | E-Class (S212) Estate (09-) | E 350 BlueTec 4-matic | 01.2013 | 212 430 06 01 | |
| | | MERCEDES BENZ | E-Class (S212) Estate (09-) | E 350 BlueTec | 01.2013 | 212 430 06 01 | |
| | | MERCEDES BENZ | E-Class (S212) Estate (09-) | | 07.2014 | 212 430 06 01 | |
| | | MERCEDES BENZ | E-Class (S212) Estate (09-) | E 350 4-matic | 11.2009 | 212 430 06 01 | |
| | | MERCEDES BENZ | E-Class (S212) Estate (09-) | E 350 | 11.2009 | 212 430 06 01 | |
| | | MERCEDES BENZ | E-Class (S212) Estate (09-) | | 09.2011 | 212 430 06 01 | |
| | | MERCEDES BENZ | E-Class (S212) Estate (09-) | E 220 CDI | 11.2009 | 212 430 06 01 | |
| | | MERCEDES BENZ | E-Class (S212) Estate (09-) | E 63 AMG 4-matic | 02.2011 | 212 430 06 01 | |
| | | MERCEDES BENZ | E-Class (S212) Estate (09-) | E 350 BlueTec 4-matic | 07.2014 | 212 430 06 01 | |
| | | MERCEDES BENZ | E-Class (S212) Estate (09-) | E 200 CDI | 11.2009 | 212 430 06 01 | |
| | | MERCEDES BENZ | E-Class (S212) Estate (09-) | E 220 BlueTec 4-matic | 12.2014 | 212 430 06 01 | |
| | | MERCEDES BENZ | E-Class (S212) Estate (09-) | E 220 BlueTec | 05.2015 | 212 430 06 01 | |



| | | | | | | | |
|--|--|--|--|--|------------------------|--|-----------------------------------|
| | | | | | OE numbers per ATE pn. | | e.g. replaced pn. / miscellaneous |
|--|--|--|--|--|------------------------|--|-----------------------------------|



HBZ - Master cylinder

| | | | | | | | |
|----------------|---------------|---------------|-----------------------------|--------------------|---------|---------------|--|
| 03.4156-5106.3 | 010997 | MERCEDES BENZ | E-Class (S212) Estate (09-) | E 350 4-matic | 09.2011 | 212 430 06 01 | |
| | | MERCEDES BENZ | E-Class (S212) Estate (09-) | E 63 AMG S 4-matic | 04.2013 | 212 430 06 01 | |
| | | MERCEDES BENZ | E-Class (S212) Estate (09-) | E 200 CGI | 11.2009 | 212 430 06 01 | |
| | | MERCEDES BENZ | E-Class (S212) Estate (09-) | E 200 | 03.2013 | 212 430 06 01 | |
| | | MERCEDES BENZ | E-Class (S212) Estate (09-) | E 63 AMG | 11.2009 | 212 430 06 01 | |
| | | MERCEDES BENZ | E-Class (S212) Estate (09-) | E 500 | 09.2011 | 212 430 06 01 | |
| | | MERCEDES BENZ | E-Class (S212) Estate (09-) | E 500 4-matic | 09.2011 | 212 430 06 01 | |
| | | MERCEDES BENZ | E-Class (S212) Estate (09-) | E 300 CDI | 11.2009 | 212 430 06 01 | |
| | | MERCEDES BENZ | E-Class (S212) Estate (09-) | E 500 | 11.2009 | 212 430 06 01 | |
| | | MERCEDES BENZ | E-Class (S212) Estate (09-) | E 400 | 07.2014 | 212 430 06 01 | |
| | | MERCEDES BENZ | E-Class (S212) Estate (09-) | E 63 AMG | 02.2011 | 212 430 06 01 | |
| | | MERCEDES BENZ | E-Class (S212) Estate (09-) | E 400 4-matic | 01.2013 | 212 430 06 01 | |
| | | MERCEDES BENZ | E-Class (S212) Estate (09-) | | 07.2014 | 212 430 06 01 | |
| | | MERCEDES BENZ | E-Class (W212) Saloon (09-) | E 250 CDI 4-matic | 03.2009 | 212 430 06 01 | |
| | | MERCEDES BENZ | E-Class (W212) Saloon (09-) | E 250 CGI | 01.2009 | 212 430 06 01 | |
| | | MERCEDES BENZ | E-Class (W212) Saloon (09-) | E 300 | 03.2009 | 212 430 06 01 | |
| | | MERCEDES BENZ | E-Class (W212) Saloon (09-) | E 300 BE 4-matic | 07.2011 | 212 430 06 01 | |
| | | MERCEDES BENZ | E-Class (W212) Saloon (09-) | E 350 | 09.2011 | 212 430 06 01 | |
| | | MERCEDES BENZ | E-Class (W212) Saloon (09-) | E 300 CDI | 04.2011 | 212 430 06 01 | |
| | | MERCEDES BENZ | E-Class (W212) Saloon (09-) | E 350 | 03.2009 | 212 430 06 01 | |



| | | | | | | |
|--|--|--|--|--|-------------------------------|---------------------------------------|
| | | | | | OE numbers per ATE pn. | e.g. replaced pn. / miscellaneous |
|--|--|--|--|--|-------------------------------|---------------------------------------|



HBZ - Master cylinder

| | | | | | | | |
|----------------|---------------|---------------|-----------------------------|-----------------------|---------|---------------|--|
| 03.4156-5106.3 | 010997 | MERCEDES BENZ | E-Class (W212) Saloon (09-) | E 250 CDI | 03.2009 | 212 430 06 01 | |
| | | MERCEDES BENZ | E-Class (W212) Saloon (09-) | E 200 NGT | 03.2009 | 212 430 06 01 | |
| | | MERCEDES BENZ | E-Class (W212) Saloon (09-) | E 350 4-matic | 03.2009 | 212 430 06 01 | |
| | | MERCEDES BENZ | E-Class (W212) Saloon (09-) | E 300 BlueEfficiency | 07.2011 | 212 430 06 01 | |
| | | MERCEDES BENZ | E-Class (W212) Saloon (09-) | E 250 | 03.2009 | 212 430 06 01 | |
| | | MERCEDES BENZ | E-Class (W212) Saloon (09-) | | 01.2013 | 212 430 06 01 | |
| | | MERCEDES BENZ | E-Class (W212) Saloon (09-) | E 220 CDI | 03.2009 | 212 430 06 01 | |
| | | MERCEDES BENZ | E-Class (W212) Saloon (09-) | E 220 BlueTec 4-matic | 01.2015 | 212 430 06 01 | |
| | | MERCEDES BENZ | E-Class (W212) Saloon (09-) | E 200 NGT | 07.2013 | 212 430 06 01 | |
| | | MERCEDES BENZ | E-Class (W212) Saloon (09-) | E 200 CGI | 08.2009 | 212 430 06 01 | |
| | | MERCEDES BENZ | E-Class (W212) Saloon (09-) | E 200 CDI | 03.2009 | 212 430 06 01 | |
| | | MERCEDES BENZ | E-Class (W212) Saloon (09-) | E 200 | 01.2013 | 212 430 06 01 | |
| | | MERCEDES BENZ | E-Class (W212) Saloon (09-) | E 350 4-matic | 09.2011 | 212 430 06 01 | |
| | | MERCEDES BENZ | E-Class (W212) Saloon (09-) | E 500 4-matic | 03.2009 | 212 430 06 01 | |
| | | MERCEDES BENZ | E-Class (W212) Saloon (09-) | E 220 BlueTec | 05.2014 | 212 430 06 01 | |
| | | MERCEDES BENZ | E-Class (W212) Saloon (09-) | E 350 CGI | 03.2009 | 212 430 06 01 | |
| | | MERCEDES BENZ | E-Class (W212) Saloon (09-) | E 63 AMG S 4-matic | 04.2013 | 212 430 06 01 | |
| | | MERCEDES BENZ | E-Class (W212) Saloon (09-) | E 63 AMG S | 04.2013 | 212 430 06 01 | |
| | | MERCEDES BENZ | E-Class (W212) Saloon (09-) | E 63 AMG 4-matic | 02.2011 | 212 430 06 01 | |
| | | MERCEDES BENZ | E-Class (W212) Saloon (09-) | E 63 AMG | 03.2009 | 212 430 06 01 | |



| | | | | | | |
|--|--|--|--|--|-----------------------------------|--|
| | | | | | OE numbers per ATE pn. | e.g. replaced pn. / miscellaneous |
|--|--|--|--|--|-----------------------------------|--|



HBZ - Master cylinder

| | | | | | | |
|----------------|--------|---------------|-----------------------------|-----------------------|---------|---------------|
| 03.4156-5106.3 | 010997 | MERCEDES BENZ | E-Class (W212) Saloon (09-) | E 63 AMG | 02.2011 | 212 430 06 01 |
| | | MERCEDES BENZ | E-Class (W212) Saloon (09-) | E 500 4-matic | 09.2011 | 212 430 06 01 |
| | | MERCEDES BENZ | E-Class (W212) Saloon (09-) | E 500 | 09.2011 | 212 430 06 01 |
| | | MERCEDES BENZ | E-Class (W212) Saloon (09-) | E 400 4-matic | 07.2014 | 212 430 06 01 |
| | | MERCEDES BENZ | E-Class (W212) Saloon (09-) | | 01.2013 | 212 430 06 01 |
| | | MERCEDES BENZ | E-Class (W212) Saloon (09-) | E 500 | 03.2009 | 212 430 06 01 |
| | | MERCEDES BENZ | E-Class (W212) Saloon (09-) | E 400 | 01.2013 | 212 430 06 01 |
| | | MERCEDES BENZ | E-Class (W212) Saloon (09-) | E 350 BlueTec | 01.2013 | 212 430 06 01 |
| | | MERCEDES BENZ | E-Class (W212) Saloon (09-) | E 350 CDI 4-matic | 03.2011 | 212 430 06 01 |
| | | MERCEDES BENZ | E-Class (W212) Saloon (09-) | | 03.2009 | 212 430 06 01 |
| | | MERCEDES BENZ | E-Class (W212) Saloon (09-) | E 350 CDI | 09.2014 | 212 430 06 01 |
| | | MERCEDES BENZ | E-Class (W212) Saloon (09-) | | 03.2011 | 212 430 06 01 |
| | | MERCEDES BENZ | E-Class (W212) Saloon (09-) | | 03.2009 | 212 430 06 01 |
| | | MERCEDES BENZ | E-Class (W212) Saloon (09-) | E 350 BT 4-matic | 05.2014 | 212 430 06 01 |
| | | MERCEDES BENZ | E-Class (W212) Saloon (09-) | E 350 BlueTec 4-matic | 01.2013 | 212 430 06 01 |
| | | MERCEDES BENZ | E-Class (W212) Saloon (09-) | E 350 BlueTec | 05.2014 | 212 430 06 01 |
| | | MERCEDES BENZ | E-Class (W212) Saloon (09-) | | 03.2009 | 212 430 06 01 |
| | | MERCEDES BENZ | E-Class (W212) Saloon (09-) | E 400 | 07.2014 | 212 430 06 01 |



| | | | | | | |
|--|--|--|--|--|-------------------------------|--|
| | | | | | OE numbers per ATE pn. | |
|--|--|--|--|--|-------------------------------|--|



SAH - Caliper rear

| | | | | | | | | | |
|----------------|---------------|------|--|----------|----|---------|---------|--------------------|--|
| 24.3347-1714.5 | 240702 | OPEL | CORSA C / Vauxhall Corsa MK II (00-06) | 1,8 16V | RR | 09.2000 | 09.2006 | 9200128 , 5 42 455 | |
| | | OPEL | CORSA C / Vauxhall Corsa MK II (00-06) | 1,4 16V | RR | 09.2000 | 09.2006 | 9200128 , 5 42 455 | |
| | | OPEL | TIGRA TWIN TOP / Vau. Tigra Twin Top (04-09) | 1,3 CDTI | RR | 06.2004 | 08.2009 | 9200128 , 5 42 455 | |
| | | OPEL | TIGRA TWIN TOP / Vau. Tigra Twin Top (04-09) | 1,4 | RR | 06.2004 | 08.2009 | 9200128 , 5 42 455 | |
| | | OPEL | TIGRA TWIN TOP / Vau. Tigra Twin Top (04-09) | 1,8 | RR | 06.2004 | 08.2009 | 9200128 , 5 42 455 | |



SAV - Caliper front

| | | | | | | | | | |
|----------------|---------------|------|-----------------|--------------------|----|---------|--|---|--|
| 24.3541-1858.5 | 240734 | FORD | FIESTA VI (08-) | 1,6 Ti-VCT | FR | 09.2008 | | 1550200 , 1766808 , 8V51-2B294-AA , 8V51-2B294-AB | |
| | | FORD | FIESTA VI (08-) | 1 | FR | 10.2012 | | 1550200 , 1766808 , 8V51-2B294-AA , 8V51-2B294-AB | |
| | | FORD | FIESTA VI (08-) | 1,0 EcoBoost | FR | 10.2012 | | 1550200 , 1766808 , 8V51-2B294-AA , 8V51-2B294-AB | |
| | | FORD | FIESTA VI (08-) | 1,0 Sport EcoBoost | FR | 05.2014 | | 1550200 , 1766808 , 8V51-2B294-AA , 8V51-2B294-AB | |
| | | FORD | FIESTA VI (08-) | 1,25 i 16V | FR | 09.2008 | | 1550200 , 1766808 , 8V51-2B294-AA , 8V51-2B294-AB | |
| | | FORD | FIESTA VI (08-) | 1,4 Duratec LPG | FR | 06.2009 | | 1550200 , 1766808 , 8V51-2B294-AA , 8V51-2B294-AB | |
| | | FORD | FIESTA VI (08-) | 1,4 i 16V | FR | 09.2008 | | 1550200 , 1766808 , 8V51-2B294-AA , 8V51-2B294-AB | |
| | | FORD | FIESTA VI (08-) | 1,4 TDCi | FR | 01.2009 | | 1550200 , 1766808 , 8V51-2B294-AA , 8V51-2B294-AB | |



| | | | | | | | |
|--|--|--|--|--|-------------------------------|--|--|
| | | | | | OE numbers per ATE pn. | | e.g. replaced pn. / miscellaneous |
|--|--|--|--|--|-------------------------------|--|--|



SAV - Caliper front

| | | | | | | | | | |
|----------------|---------------|------|-----------------|------------|----|---------|--|---|--|
| 24.3541-1858.5 | 240734 | FORD | FIESTA VI (08-) | 1,4 TDCi | FR | 07.2010 | | 1550200 , 1766808 , 8V51-2B294-AA , 8V51-2B294-AB | |
| | | FORD | FIESTA VI (08-) | 1,5 TDCi | FR | 05.2015 | | 1550200 , 1766808 , 8V51-2B294-AA , 8V51-2B294-AB | |
| | | FORD | FIESTA VI (08-) | | FR | 10.2012 | | 1550200 , 1766808 , 8V51-2B294-AA , 8V51-2B294-AB | |
| | | FORD | FIESTA VI (08-) | 1,6 TDCi | FR | 09.2008 | | 1550200 , 1766808 , 8V51-2B294-AA , 8V51-2B294-AB | |
| | | FORD | FIESTA VI (08-) | 1,6 Ti-VCT | FR | 10.2012 | | 1550200 , 1766808 , 8V51-2B294-AA , 8V51-2B294-AB | |
| | | FORD | FIESTA VI (08-) | | FR | 12.2010 | | 1550200 , 1766808 , 8V51-2B294-AA , 8V51-2B294-AB | |
| | | FORD | FIESTA VI (08-) | 1,6 TDCi | FR | 02.2010 | | 1550200 , 1766808 , 8V51-2B294-AA , 8V51-2B294-AB | |



SBH - Brake pads rear

| | | | | | | | | | |
|----------------|---------------|------------|-------------------|----------------|--|---------|--|---------------------------|-------------|
| 13.0460-2789.2 | 602789 | FIAT | 500 L Kombi (12-) | 1,6 D Multijet | | 08.2012 | | 77366456 , 77366457 | see drawing |
| | | FIAT | 500 L Kombi (12-) | 0,9 | | 08.2012 | | 77366456 , 77366457 | see drawing |
| | | FIAT | 500 L Kombi (12-) | 0,9 CNG | | 03.2013 | | 77366456 , 77366457 | see drawing |
| | | FIAT | 500 L Kombi (12-) | 1,3 D Multijet | | 08.2012 | | 77366456 , 77366457 | see drawing |
| | | FIAT | 500 L Kombi (12-) | 1,4 | | 08.2012 | | 77366456 , 77366457 | see drawing |
| 13.0460-4872.2 | 604872 | VOLKSWAGEN | TOUAREG II (10-) | 3,0 V6 TDI | | 09.2014 | | 7P0 698 451 , 7P6 698 451 | see drawing |



| | | | | | | | |
|--|--|--|--|--|------------------------|--|-----------------------------------|
| | | | | | OE numbers per ATE pn. | | e.g. replaced pn. / miscellaneous |
|--|--|--|--|--|------------------------|--|-----------------------------------|



SBH - Brake pads rear

| | | | | | | | |
|----------------|---------------|------------|-------------------|-------------------|---------|---------------------------|-------------|
| 13.0460-4872.2 | 604872 | VOLKSWAGEN | TOUAREG II (10-) | 3,0 V6 TDI | 06.2010 | 7P0 698 451 , 7P6 698 451 | see drawing |
| | | VOLKSWAGEN | TOUAREG II (10-) | | 04.2010 | 7P0 698 451 , 7P6 698 451 | see drawing |
| | | VOLKSWAGEN | TOUAREG II (10-) | | 04.2011 | 7P0 698 451 , 7P6 698 451 | see drawing |
| | | VOLKSWAGEN | TOUAREG II (10-) | | 05.2011 | 7P0 698 451 , 7P6 698 451 | see drawing |
| | | VOLKSWAGEN | TOUAREG II (10-) | 3,0 V6 TSI Hybrid | 04.2010 | 7P0 698 451 , 7P6 698 451 | see drawing |
| | | VOLKSWAGEN | TOUAREG II (10-) | 4,2 V8 FSI | 01.2011 | 7P0 698 451 , 7P6 698 451 | see drawing |
| | | VOLKSWAGEN | TOUAREG II (10-) | 4,2 V8 TDI | 04.2010 | 7P0 698 451 , 7P6 698 451 | see drawing |
| | | VOLKSWAGEN | TOUAREG II (10-) | 3,6 V6 FSI | 04.2010 | 7P0 698 451 , 7P6 698 451 | see drawing |
| 13.0470-3871.2 | LD3871 | PEUGEOT | 308 II (T9) (13-) | 2,0 GT HDi 180 | 06.2014 | 16 090 006 80 | |
| | | PEUGEOT | 308 II (T9) (13-) | 1,6 THP 163 | 06.2014 | 16 090 006 80 | |
| | | PEUGEOT | 308 II (T9) (13-) | 1,6 THP 155 | 09.2013 | 16 090 006 80 | |
| | | PEUGEOT | 308 II (T9) (13-) | 1,6 THP 150 | 03.2014 | 16 090 006 80 | |
| | | PEUGEOT | 308 II (T9) (13-) | 1,6 THP 125 | 09.2013 | 16 090 006 80 | |
| | | PEUGEOT | 308 II (T9) (13-) | 1,6 HDi 92 | 09.2013 | 16 090 006 80 | |
| | | PEUGEOT | 308 II (T9) (13-) | 1,6 HDi 100 | 04.2014 | 16 090 006 80 | |
| | | PEUGEOT | 308 II (T9) (13-) | 1,6 HDi 115 | 09.2013 | 16 090 006 80 | |
| | | PEUGEOT | 308 II (T9) (13-) | 1,6 GTi 270 | 06.2015 | 16 090 006 80 | |
| | | PEUGEOT | 308 II (T9) (13-) | 1,2 THP 110 | 11.2013 | 16 090 006 80 | |
| | | PEUGEOT | 308 II (T9) (13-) | 1,6 VTi | 03.2014 | 16 090 006 80 | |
| | | PEUGEOT | 308 II (T9) (13-) | 1,2 THP 130 | 11.2013 | 16 090 006 80 | |



| | | | | | | | |
|--|--|--|--|--|------------------------|--|-----------------------------------|
| | | | | | OE numbers per ATE pn. | | e.g. replaced pn. / miscellaneous |
|--|--|--|--|--|------------------------|--|-----------------------------------|



SBH - Brake pads rear

| | | | | | | | |
|----------------|---------------|---------|---------------------------|-----------------|---------|---------------|--|
| 13.0470-3871.2 | LD3871 | PEUGEOT | 308 II (T9) (13-) | 2,0 HDi 150 | 11.2013 | 16 090 006 80 | |
| | | PEUGEOT | 308 II (T9) (13-) | 1,2 VTi 82 | 09.2013 | 16 090 006 80 | |
| | | PEUGEOT | 308 II (T9) (13-) | 1,6 GT 205 | 06.2014 | 16 090 006 80 | |
| | | PEUGEOT | 308 II (T9) (13-) | 1,6 GTi 250 | 08.2015 | 16 090 006 80 | |
| | | PEUGEOT | 308 II (T9) (13-) | 1,6 HDi 120 | 11.2013 | 16 090 006 80 | |
| | | PEUGEOT | 308 II SW (T9) (14-) | 1,6 THP | 03.2014 | 16 090 006 80 | |
| | | PEUGEOT | 308 II SW (T9) (14-) | 2,0 GT HDi 180 | 06.2014 | 16 090 006 80 | |
| | | PEUGEOT | 308 II SW (T9) (14-) | 2,0 BlueHDi 180 | 06.2014 | 16 090 006 80 | |
| | | PEUGEOT | 308 II SW (T9) (14-) | 2,0 BlueHDi | 03.2014 | 16 090 006 80 | |
| | | PEUGEOT | 308 II SW (T9) (14-) | 1,6 VTi | 03.2014 | 16 090 006 80 | |
| | | PEUGEOT | 308 II SW (T9) (14-) | 1,6 THP 163 | 06.2014 | 16 090 006 80 | |
| | | PEUGEOT | 308 II SW (T9) (14-) | 1,2 e-THP | 03.2014 | 16 090 006 80 | |
| | | PEUGEOT | 308 II SW (T9) (14-) | 1,6 THP 125 | 03.2014 | 16 090 006 80 | |
| | | PEUGEOT | 308 II SW (T9) (14-) | 1,6 HDi | 03.2014 | 16 090 006 80 | |
| | | PEUGEOT | 308 II SW (T9) (14-) | 1,6 GT 205 | 06.2014 | 16 090 006 80 | |
| | | PEUGEOT | 308 II SW (T9) (14-) | 1,6 e-HDi | 03.2014 | 16 090 006 80 | |
| | | PEUGEOT | 308 II SW (T9) (14-) | 1,6 BlueHDi | 03.2014 | 16 090 006 80 | |
| | | PEUGEOT | 308 II SW (T9) (14-) | 1,2 e-THP | 08.2014 | 16 090 006 80 | |
| | | PEUGEOT | 308 II SW (T9) (14-) | 1,6 THP 150 | 03.2014 | 16 090 006 80 | |
| | | CITROEN | C4 II GRAND PICASSO (13-) | 1,6 BlueHDi 100 | 01.2015 | 16 090 006 80 | |



| | | | | | | | |
|--|--|--|--|--|------------------------|--|-----------------------------------|
| | | | | | OE numbers per ATE pn. | | e.g. replaced pn. / miscellaneous |
|--|--|--|--|--|------------------------|--|-----------------------------------|



SBH - Brake pads rear

| | | | | | | | |
|----------------|---------------|------------|---------------------------|-----------------|---------|---------------------------|--|
| 13.0470-3871.2 | LD3871 | CITROEN | C4 II GRAND PICASSO (13-) | 1,6 VTi 120 | 08.2013 | 16 090 006 80 | |
| | | CITROEN | C4 II GRAND PICASSO (13-) | 1,2 THP 130 | 04.2014 | 16 090 006 80 | |
| | | CITROEN | C4 II GRAND PICASSO (13-) | 1,6 HDi 115 | 08.2013 | 16 090 006 80 | |
| | | CITROEN | C4 II GRAND PICASSO (13-) | 1,6 HDi 90 | 08.2013 | 16 090 006 80 | |
| | | CITROEN | C4 II GRAND PICASSO (13-) | 1,6 THP 165 | 07.2014 | 16 090 006 80 | |
| | | CITROEN | C4 II GRAND PICASSO (13-) | 1,6 THP 155 | 08.2013 | 16 090 006 80 | |
| | | CITROEN | C4 II GRAND PICASSO (13-) | 2,0 BlueHDi 135 | 09.2013 | 16 090 006 80 | |
| | | CITROEN | C4 II GRAND PICASSO (13-) | 2,0 HDi 150 | 09.2013 | 16 090 006 80 | |
| | | CITROEN | C4 II GRAND PICASSO (13-) | 1,6 BlueHDi 120 | 07.2014 | 16 090 006 80 | |
| | | CITROEN | C4 II PICASSO (13-) | | 07.2014 | 16 090 006 80 | |
| | | CITROEN | C4 II PICASSO (13-) | 2,0 BlueHDi 135 | 09.2013 | 16 090 006 80 | |
| | | CITROEN | C4 II PICASSO (13-) | 1,6 VTi 120 | 06.2013 | 16 090 006 80 | |
| | | CITROEN | C4 II PICASSO (13-) | 1,6 THP 165 | 07.2014 | 16 090 006 80 | |
| | | CITROEN | C4 II PICASSO (13-) | 1,6 THP 155 | 06.2013 | 16 090 006 80 | |
| | | CITROEN | C4 II PICASSO (13-) | 1,6 HDi 115 | 06.2013 | 16 090 006 80 | |
| | | CITROEN | C4 II PICASSO (13-) | 2,0 HDi 150 | 09.2013 | 16 090 006 80 | |
| | | CITROEN | C4 II PICASSO (13-) | 1,6 BlueHDi 100 | 12.2014 | 16 090 006 80 | |
| | | CITROEN | C4 II PICASSO (13-) | 1,2 THP 130 | 04.2014 | 16 090 006 80 | |
| | | CITROEN | C4 II PICASSO (13-) | 1,6 HDi 90 | 06.2013 | 16 090 006 80 | |
| 13.0470-4872.2 | LD4872 | VOLKSWAGEN | TOUAREG II (10-) | 3,0 V6 TDI | 06.2010 | 7P0 698 451 , 7P6 698 451 | |



| | | | | | | | |
|--|--|--|--|--|-------------------------------|--|--|
| | | | | | OE numbers per ATE pn. | | e.g. replaced pn. / miscellaneous |
|--|--|--|--|--|-------------------------------|--|--|



SBH - Brake pads rear

| | | | | | | | |
|----------------|---------------|------------|------------------|-------------------|---------|---------------------------|--|
| 13.0470-4872.2 | LD4872 | VOLKSWAGEN | TOUAREG II (10-) | 3,0 V6 TDI | 04.2011 | 7P0 698 451 , 7P6 698 451 | |
| | | VOLKSWAGEN | TOUAREG II (10-) | | 04.2010 | 7P0 698 451 , 7P6 698 451 | |
| | | VOLKSWAGEN | TOUAREG II (10-) | | 05.2011 | 7P0 698 451 , 7P6 698 451 | |
| | | VOLKSWAGEN | TOUAREG II (10-) | | 09.2014 | 7P0 698 451 , 7P6 698 451 | |
| | | VOLKSWAGEN | TOUAREG II (10-) | 3,0 V6 TSI Hybrid | 04.2010 | 7P0 698 451 , 7P6 698 451 | |
| | | VOLKSWAGEN | TOUAREG II (10-) | 3,6 V6 FSI | 04.2010 | 7P0 698 451 , 7P6 698 451 | |
| | | VOLKSWAGEN | TOUAREG II (10-) | 4,2 V8 TDI | 04.2010 | 7P0 698 451 , 7P6 698 451 | |
| | | VOLKSWAGEN | TOUAREG II (10-) | 4,2 V8 FSI | 01.2011 | 7P0 698 451 , 7P6 698 451 | |



SBV - Brake pads front

| | | | | | | | |
|----------------|---------------|------|-------------|--------------------|---------|--|-------------|
| 13.0460-7289.2 | 607289 | FIAT | PANDA (12-) | 1,3 D Multijet 4x4 | 06.2012 | 77366274 , 77366212 , 77365927 , 77365945 , 77366378 | see drawing |
| | | FIAT | PANDA (12-) | 0,9 CNG | 07.2012 | 77366274 , 77366212 , 77365927 , 77365945 , 77366378 | see drawing |
| | | FIAT | PANDA (12-) | 0,9 4x4 | 09.2012 | 77366274 , 77366212 , 77365927 , 77365945 , 77366378 | see drawing |
| | | FIAT | PANDA (12-) | 0,9 Natural Power | 02.2012 | 77366274 , 77366212 , 77365927 , 77365945 , 77366378 | see drawing |



| | | | | | | |
|--|--|--|--|--|-------------------------------|-----------------------------------|
| | | | | | OE numbers per ATE pn. | e.g. replaced pn. / miscellaneous |
|--|--|--|--|--|-------------------------------|-----------------------------------|



SBV - Brake pads front

| | | | | | | | |
|----------------|---------------|--------|----------------------------------|--------------------|---------|--|-------------|
| 13.0460-7289.2 | 607289 | FIAT | PANDA (12-) | 1,2 | 02.2012 | 77366274 , 77366212 , 77365927 , 77365945 , 77366378 | see drawing |
| | | FIAT | PANDA (12-) | 1,2 LPG | 02.2012 | 77366274 , 77366212 , 77365927 , 77365945 , 77366378 | see drawing |
| | | FIAT | PANDA (12-) | 1,3 D Multijet | 02.2012 | 77366274 , 77366212 , 77365927 , 77365945 , 77366378 | see drawing |
| | | FIAT | PANDA (12-) | | 04.2015 | 77366274 , 77366212 , 77365927 , 77365945 , 77366378 | see drawing |
| | | FIAT | PANDA (12-) | 1,3 D Multijet 4x4 | 04.2015 | 77366274 , 77366212 , 77365927 , 77365945 , 77366378 | see drawing |
| | | FIAT | PANDA (12-) | 0,9 | 02.2012 | 77366274 , 77366212 , 77365927 , 77365945 , 77366378 | see drawing |
| | | LANCIA | YPSILON / Chrysler Ypsilon (11-) | 1,2 Bifuel | 04.2015 | 77366274 , 77366212 , 77365927 , 77365945 , 77366378 | see drawing |
| | | LANCIA | YPSILON / Chrysler Ypsilon (11-) | | 05.2011 | 77366274 , 77366212 , 77365927 , 77365945 , 77366378 | see drawing |
| | | LANCIA | YPSILON / Chrysler Ypsilon (11-) | 1,2 | 05.2011 | 77366274 , 77366212 , 77365927 , 77365945 , 77366378 | see drawing |
| | | LANCIA | YPSILON / Chrysler Ypsilon (11-) | 0,9 Twinair | 05.2011 | 77366274 , 77366212 , 77365927 , 77365945 , 77366378 | see drawing |



| | | | | | | |
|--|--|--|--|--|-------------------------------|---------------------------------------|
| | | | | | OE numbers per ATE pn. | e.g. replaced pn. / miscellaneous |
|--|--|--|--|--|-------------------------------|---------------------------------------|



SBV - Brake pads front

| | | | | | | | | | |
|----------------|---------------|--------|----------------------------------|------------------|--|---------|--|--|-------------|
| 13.0460-7289.2 | 607289 | LANCIA | YPSILON / Chrysler Ypsilon (11-) | 0,9 | | 12.2013 | | 77366274 , 77366212 , 77365927 , 77365945 , 77366378 | see drawing |
| | | LANCIA | YPSILON / Chrysler Ypsilon (11-) | 1,3 D Multijet | | 05.2011 | | 77366274 , 77366212 , 77365927 , 77365945 , 77366378 | see drawing |
| 13.0470-2785.2 | LD2785 | AUDI | A3 (8V) Cabrio (13-) | 2,0 TDI | | 10.2013 | | 8V0 698 151 , 8V0 698 151 B , 8V0 698 151 D , 5Q0 698 151 , 5Q0 698 151 B , 8V0 698 151 G , 5Q0 698 151 D | |
| | | AUDI | A3 (8V) Cabrio (13-) | 2,0 TDI quattro | | 03.2014 | | 8V0 698 151 , 8V0 698 151 B , 8V0 698 151 D , 5Q0 698 151 , 5Q0 698 151 B , 8V0 698 151 G , 5Q0 698 151 D | |
| | | AUDI | A3 (8V) Cabrio (13-) | | | 05.2014 | | 8V0 698 151 , 8V0 698 151 B , 8V0 698 151 D , 5Q0 698 151 , 5Q0 698 151 B , 8V0 698 151 G , 5Q0 698 151 D | |
| | | AUDI | A3 (8V) Cabrio (13-) | 2,0 TFSI quattro | | 05.2014 | | 8V0 698 151 , 8V0 698 151 B , 8V0 698 151 D , 5Q0 698 151 , 5Q0 698 151 B , 8V0 698 151 G , 5Q0 698 151 D | |
| | | AUDI | A3 (8V) Cabrio (13-) | 1,4 TFSI | | 05.2014 | | 8V0 698 151 , 8V0 698 151 B , 8V0 698 151 D , 5Q0 698 151 , 5Q0 698 151 B , 8V0 698 151 G , 5Q0 698 151 D | |
| | | AUDI | A3 (8V) Cabrio (13-) | | | 10.2013 | | 8V0 698 151 , 8V0 698 151 B , 8V0 698 151 D , 5Q0 698 151 , 5Q0 698 151 B , 8V0 698 151 G , 5Q0 698 151 D | |
| | | AUDI | A3 (8V) Cabrio (13-) | 1,6 TDI | | 10.2013 | | 8V0 698 151 , 8V0 698 151 B , 8V0 698 151 D , 5Q0 698 151 , 5Q0 698 151 B , 8V0 698 151 G , 5Q0 698 151 D | |



| | | | | | | | |
|--|--|--|--|--|-------------------------------|--|--|
| | | | | | OE numbers per ATE pn. | | e.g. replaced pn. / miscellaneous |
|--|--|--|--|--|-------------------------------|--|--|



SBV - Brake pads front

| | | | | | | | | | |
|----------------|---------------|------|------------------------------|------------------|--|---------|--|---|--|
| 13.0470-2785.2 | LD2785 | AUDI | A3 (8V) Cabrio (13-) | 1,8 TFSI | | 10.2013 | | 8V0 698 151 , 8V0 698 151 B , 8V0 698 151 D , 5Q0 698 151 , 5Q0 698 151 B , 8V0 698 151 G , 5Q0 698 151 D | |
| | | AUDI | A3 (8V) Cabrio (13-) | 1,8 TFSI quattro | | 03.2014 | | 8V0 698 151 , 8V0 698 151 B , 8V0 698 151 D , 5Q0 698 151 , 5Q0 698 151 B , 8V0 698 151 G , 5Q0 698 151 D | |
| | | AUDI | A3 (8V) Cabrio (13-) | 2,0 TDI | | 05.2014 | | 8V0 698 151 , 8V0 698 151 B , 8V0 698 151 D , 5Q0 698 151 , 5Q0 698 151 B , 8V0 698 151 G , 5Q0 698 151 D | |
| | | AUDI | A3 / A3 (8V) Sportback (12-) | | | 08.2012 | | 8V0 698 151 , 8V0 698 151 B , 8V0 698 151 D , 5Q0 698 151 , 5Q0 698 151 B , 8V0 698 151 G , 5Q0 698 151 D | |
| | | AUDI | A3 / A3 (8V) Sportback (12-) | 1,6 TDI quattro | | 05.2015 | | 8V0 698 151 , 8V0 698 151 B , 8V0 698 151 D , 5Q0 698 151 , 5Q0 698 151 B , 8V0 698 151 G , 5Q0 698 151 D | |
| | | AUDI | A3 / A3 (8V) Sportback (12-) | 1,8 TFSI quattro | | 08.2012 | | 8V0 698 151 , 8V0 698 151 B , 8V0 698 151 D , 5Q0 698 151 , 5Q0 698 151 B , 8V0 698 151 G , 5Q0 698 151 D | |
| | | AUDI | A3 / A3 (8V) Sportback (12-) | 2,0 TDI | | 05.2013 | | 8V0 698 151 , 8V0 698 151 B , 8V0 698 151 D , 5Q0 698 151 , 5Q0 698 151 B , 8V0 698 151 G , 5Q0 698 151 D | |
| | | AUDI | A3 / A3 (8V) Sportback (12-) | 1,6 TDI | | 09.2012 | | 8V0 698 151 , 8V0 698 151 B , 8V0 698 151 D , 5Q0 698 151 , 5Q0 698 151 B , 8V0 698 151 G , 5Q0 698 151 D | |



| | | | | | | | |
|--|--|--|--|--|-------------------------------|--|--|
| | | | | | OE numbers per ATE pn. | | e.g. replaced pn. / miscellaneous |
|--|--|--|--|--|-------------------------------|--|--|



SBV - Brake pads front

| | | | | | | | | | |
|----------------|---------------|------|------------------------------|-----------------|--|---------|--|---|--|
| 13.0470-2785.2 | LD2785 | AUDI | A3 / A3 (8V) Sportback (12-) | 2,0 TDI | | 12.2012 | | 8V0 698 151 , 8V0 698 151 B , 8V0 698 151 D , 5Q0 698 151 , 5Q0 698 151 B , 8V0 698 151 G , 5Q0 698 151 D | |
| | | AUDI | A3 / A3 (8V) Sportback (12-) | 2,0 TDI quattro | | 10.2012 | | 8V0 698 151 , 8V0 698 151 B , 8V0 698 151 D , 5Q0 698 151 , 5Q0 698 151 B , 8V0 698 151 G , 5Q0 698 151 D | |
| | | AUDI | A3 / A3 (8V) Sportback (12-) | | | 12.2012 | | 8V0 698 151 , 8V0 698 151 B , 8V0 698 151 D , 5Q0 698 151 , 5Q0 698 151 B , 8V0 698 151 G , 5Q0 698 151 D | |
| | | AUDI | A3 / A3 (8V) Sportback (12-) | 2,0 TDI | | 01.2013 | | 8V0 698 151 , 8V0 698 151 B , 8V0 698 151 D , 5Q0 698 151 , 5Q0 698 151 B , 8V0 698 151 G , 5Q0 698 151 D | |
| | | AUDI | A3 / A3 (8V) Sportback (12-) | 1,4 TFSI | | 08.2012 | | 8V0 698 151 , 8V0 698 151 B , 8V0 698 151 D , 5Q0 698 151 , 5Q0 698 151 B , 8V0 698 151 G , 5Q0 698 151 D | |
| | | AUDI | A3 / A3 (8V) Sportback (12-) | 1,8 TFSI | | 08.2012 | | 8V0 698 151 , 8V0 698 151 B , 8V0 698 151 D , 5Q0 698 151 , 5Q0 698 151 B , 8V0 698 151 G , 5Q0 698 151 D | |
| | | AUDI | A3 / A3 (8V) Sportback (12-) | 1,4 TFSI | | 05.2014 | | 8V0 698 151 , 8V0 698 151 B , 8V0 698 151 D , 5Q0 698 151 , 5Q0 698 151 B , 8V0 698 151 G , 5Q0 698 151 D | |
| | | AUDI | A3 / A3 (8V) Sportback (12-) | 1,2 TFSI | | 02.2013 | | 8V0 698 151 , 8V0 698 151 B , 8V0 698 151 D , 5Q0 698 151 , 5Q0 698 151 B , 8V0 698 151 G , 5Q0 698 151 D | |



| | | | | | | |
|--|--|--|--|--|-------------------------------|---------------------------------------|
| | | | | | OE numbers per ATE pn. | e.g. replaced pn. / miscellaneous |
|--|--|--|--|--|-------------------------------|---------------------------------------|



SBV - Brake pads front

| | | | | | | |
|----------------|--------|------------|------------------------------|---------------------|---------|---|
| 13.0470-2785.2 | LD2785 | AUDI | A3 / A3 (8V) Sportback (12-) | 1,4 TFSI | 09.2013 | 8V0 698 151 , 8V0 698 151 B , 8V0 698 151 D , 5Q0 698 151 , 5Q0 698 151 B , 8V0 698 151 G , 5Q0 698 151 D |
| | | AUDI | A3 / A3 (8V) Sportback (12-) | | 10.2012 | 8V0 698 151 , 8V0 698 151 B , 8V0 698 151 D , 5Q0 698 151 , 5Q0 698 151 B , 8V0 698 151 G , 5Q0 698 151 D |
| | | AUDI | A3 / A3 (8V) Sportback (12-) | 1,4 TFSI e-tron | 02.2014 | 8V0 698 151 , 8V0 698 151 B , 8V0 698 151 D , 5Q0 698 151 , 5Q0 698 151 B , 8V0 698 151 G , 5Q0 698 151 D |
| | | AUDI | A3 / A3 (8V) Sportback (12-) | 1,4 TFSI g-tron | 02.2014 | 8V0 698 151 , 8V0 698 151 B , 8V0 698 151 D , 5Q0 698 151 , 5Q0 698 151 B , 8V0 698 151 G , 5Q0 698 151 D |
| | | AUDI | A3 / A3 (8V) Sportback (12-) | 1,6 TDI | 08.2013 | 8V0 698 151 , 8V0 698 151 B , 8V0 698 151 D , 5Q0 698 151 , 5Q0 698 151 B , 8V0 698 151 G , 5Q0 698 151 D |
| | | AUDI | A3 / A3 (8V) Sportback (12-) | 1,2 TFSI | 05.2014 | 8V0 698 151 , 8V0 698 151 B , 8V0 698 151 D , 5Q0 698 151 , 5Q0 698 151 B , 8V0 698 151 G , 5Q0 698 151 D |
| | | VOLKSWAGEN | GOLF VII (12-) | 2,0 GTI Performance | 03.2013 | 8V0 698 151 , 8V0 698 151 B , 8V0 698 151 D , 5Q0 698 151 , 5Q0 698 151 B , 8V0 698 151 G , 5Q0 698 151 D |
| | | VOLKSWAGEN | GOLF VII (12-) | 1,2 TSI | 11.2012 | 8V0 698 151 , 8V0 698 151 B , 8V0 698 151 D , 5Q0 698 151 , 5Q0 698 151 B , 8V0 698 151 G , 5Q0 698 151 D |



| | | | | | | | |
|--|--|--|--|--|-------------------------------|--|--|
| | | | | | OE numbers per ATE pn. | | e.g. replaced pn. / miscellaneous |
|--|--|--|--|--|-------------------------------|--|--|



SBV - Brake pads front

| | | | | | | |
|----------------|---------------|------------|----------------|---------------|---------|---|
| 13.0470-2785.2 | LD2785 | VOLKSWAGEN | GOLF VII (12-) | 1,2 TSI | 04.2014 | 8V0 698 151 , 8V0 698 151 B , 8V0 698 151 D , 5Q0 698 151 , 5Q0 698 151 B , 8V0 698 151 G , 5Q0 698 151 D |
| | | VOLKSWAGEN | GOLF VII (12-) | 1,4 TGI | 08.2013 | 8V0 698 151 , 8V0 698 151 B , 8V0 698 151 D , 5Q0 698 151 , 5Q0 698 151 B , 8V0 698 151 G , 5Q0 698 151 D |
| | | VOLKSWAGEN | GOLF VII (12-) | 1,0 TSI | 05.2015 | 8V0 698 151 , 8V0 698 151 B , 8V0 698 151 D , 5Q0 698 151 , 5Q0 698 151 B , 8V0 698 151 G , 5Q0 698 151 D |
| | | VOLKSWAGEN | GOLF VII (12-) | 2,0 GTI | 03.2013 | 8V0 698 151 , 8V0 698 151 B , 8V0 698 151 D , 5Q0 698 151 , 5Q0 698 151 B , 8V0 698 151 G , 5Q0 698 151 D |
| | | VOLKSWAGEN | GOLF VII (12-) | 2,0 R 4motion | 09.2013 | 8V0 698 151 , 8V0 698 151 B , 8V0 698 151 D , 5Q0 698 151 , 5Q0 698 151 B , 8V0 698 151 G , 5Q0 698 151 D |
| | | VOLKSWAGEN | GOLF VII (12-) | 2,0 TDI | 08.2012 | 8V0 698 151 , 8V0 698 151 B , 8V0 698 151 D , 5Q0 698 151 , 5Q0 698 151 B , 8V0 698 151 G , 5Q0 698 151 D |
| | | VOLKSWAGEN | GOLF VII (12-) | | 11.2012 | 8V0 698 151 , 8V0 698 151 B , 8V0 698 151 D , 5Q0 698 151 , 5Q0 698 151 B , 8V0 698 151 G , 5Q0 698 151 D |
| | | VOLKSWAGEN | GOLF VII (12-) | e-Golf | 08.2014 | 8V0 698 151 , 8V0 698 151 B , 8V0 698 151 D , 5Q0 698 151 , 5Q0 698 151 B , 8V0 698 151 G , 5Q0 698 151 D |



| | | | | | | | |
|--|--|--|--|--|-------------------------------|--|--|
| | | | | | OE numbers per ATE pn. | | e.g. replaced pn. / miscellaneous |
|--|--|--|--|--|-------------------------------|--|--|



SBV - Brake pads front

| | | | | | | | | | |
|----------------|---------------|------------|----------------|-------------------|--|---------|--|---|--|
| 13.0470-2785.2 | LD2785 | VOLKSWAGEN | GOLF VII (12-) | 1,4 TSI | | 11.2012 | | 8V0 698 151 , 8V0 698 151 B , 8V0 698 151 D , 5Q0 698 151 , 5Q0 698 151 B , 8V0 698 151 G , 5Q0 698 151 D | |
| | | VOLKSWAGEN | GOLF VII (12-) | | | 05.2014 | | 8V0 698 151 , 8V0 698 151 B , 8V0 698 151 D , 5Q0 698 151 , 5Q0 698 151 B , 8V0 698 151 G , 5Q0 698 151 D | |
| | | VOLKSWAGEN | GOLF VII (12-) | 2,0 TDI 4motion | | 11.2012 | | 8V0 698 151 , 8V0 698 151 B , 8V0 698 151 D , 5Q0 698 151 , 5Q0 698 151 B , 8V0 698 151 G , 5Q0 698 151 D | |
| | | VOLKSWAGEN | GOLF VII (12-) | 1,6 TDI 4motion | | 01.2013 | | 8V0 698 151 , 8V0 698 151 B , 8V0 698 151 D , 5Q0 698 151 , 5Q0 698 151 B , 8V0 698 151 G , 5Q0 698 151 D | |
| | | VOLKSWAGEN | GOLF VII (12-) | 1,4 TSI Multifuel | | 12.2013 | | 8V0 698 151 , 8V0 698 151 B , 8V0 698 151 D , 5Q0 698 151 , 5Q0 698 151 B , 8V0 698 151 G , 5Q0 698 151 D | |
| | | VOLKSWAGEN | GOLF VII (12-) | 1,6 TDI 4motion | | 11.2012 | | 8V0 698 151 , 8V0 698 151 B , 8V0 698 151 D , 5Q0 698 151 , 5Q0 698 151 B , 8V0 698 151 G , 5Q0 698 151 D | |
| | | VOLKSWAGEN | GOLF VII (12-) | 1,6 | | 05.2014 | | 8V0 698 151 , 8V0 698 151 B , 8V0 698 151 D , 5Q0 698 151 , 5Q0 698 151 B , 8V0 698 151 G , 5Q0 698 151 D | |
| | | VOLKSWAGEN | GOLF VII (12-) | 1,6 TDI | | 04.2013 | | 8V0 698 151 , 8V0 698 151 B , 8V0 698 151 D , 5Q0 698 151 , 5Q0 698 151 B , 8V0 698 151 G , 5Q0 698 151 D | |



| | | | | | | |
|--|--|----------|--|--|-------------------------------|---|
| | | i | | | OE numbers per ATE pn. | i e.g. replaced pn. / miscellaneous |
|--|--|----------|--|--|-------------------------------|---|



SBV - Brake pads front

| | | | | | | |
|----------------|---------------|------------|-------------------------|-------------------|---------|---|
| 13.0470-2785.2 | LD2785 | VOLKSWAGEN | GOLF VII (12-) | 1,6 TDI | 06.2013 | 8V0 698 151 , 8V0 698 151 B , 8V0 698 151 D , 5Q0 698 151 , 5Q0 698 151 B , 8V0 698 151 G , 5Q0 698 151 D |
| | | VOLKSWAGEN | GOLF VII (12-) | 2,0 GTD | 03.2013 | 8V0 698 151 , 8V0 698 151 B , 8V0 698 151 D , 5Q0 698 151 , 5Q0 698 151 B , 8V0 698 151 G , 5Q0 698 151 D |
| | | VOLKSWAGEN | GOLF VII (12-) | 1,4 TSI Multifuel | 04.2013 | 8V0 698 151 , 8V0 698 151 B , 8V0 698 151 D , 5Q0 698 151 , 5Q0 698 151 B , 8V0 698 151 G , 5Q0 698 151 D |
| | | VOLKSWAGEN | GOLF VII (12-) | 1,4 GTE Hybrid | 05.2014 | 8V0 698 151 , 8V0 698 151 B , 8V0 698 151 D , 5Q0 698 151 , 5Q0 698 151 B , 8V0 698 151 G , 5Q0 698 151 D |
| | | VOLKSWAGEN | GOLF VII (12-) | 1,6 TDI | 11.2012 | 8V0 698 151 , 8V0 698 151 B , 8V0 698 151 D , 5Q0 698 151 , 5Q0 698 151 B , 8V0 698 151 G , 5Q0 698 151 D |
| | | VOLKSWAGEN | GOLF VII ALLTRACK (14-) | 2,0 TDI 4motion | 12.2014 | 8V0 698 151 , 8V0 698 151 B , 8V0 698 151 D , 5Q0 698 151 , 5Q0 698 151 B , 8V0 698 151 G , 5Q0 698 151 D |
| | | VOLKSWAGEN | GOLF VII ALLTRACK (14-) | 1,6 TDI 4motion | 12.2014 | 8V0 698 151 , 8V0 698 151 B , 8V0 698 151 D , 5Q0 698 151 , 5Q0 698 151 B , 8V0 698 151 G , 5Q0 698 151 D |
| | | VOLKSWAGEN | GOLF VII ALLTRACK (14-) | 1,8 TSI 4motion | 12.2014 | 8V0 698 151 , 8V0 698 151 B , 8V0 698 151 D , 5Q0 698 151 , 5Q0 698 151 B , 8V0 698 151 G , 5Q0 698 151 D |



| | | | | | | | |
|--|--|--|--|--|-------------------------------|--|--|
| | | | | | OE numbers per ATE pn. | | e.g. replaced pn. / miscellaneous |
|--|--|--|--|--|-------------------------------|--|--|



SBV - Brake pads front

| | | | | | | | | | |
|----------------|---------------|------------|--------------------------|-------------------|--|---------|--|---|--|
| 13.0470-2785.2 | LD2785 | VOLKSWAGEN | GOLF VII Sportsvan (14-) | 2,0 TDI | | 05.2014 | | 8V0 698 151 , 8V0 698 151 B , 8V0 698 151 D , 5Q0 698 151 , 5Q0 698 151 B , 8V0 698 151 G , 5Q0 698 151 D | |
| | | VOLKSWAGEN | GOLF VII Sportsvan (14-) | 1,2 TSI | | 03.2014 | | 8V0 698 151 , 8V0 698 151 B , 8V0 698 151 D , 5Q0 698 151 , 5Q0 698 151 B , 8V0 698 151 G , 5Q0 698 151 D | |
| | | VOLKSWAGEN | GOLF VII Sportsvan (14-) | 1,6 TDI | | 05.2014 | | 8V0 698 151 , 8V0 698 151 B , 8V0 698 151 D , 5Q0 698 151 , 5Q0 698 151 B , 8V0 698 151 G , 5Q0 698 151 D | |
| | | VOLKSWAGEN | GOLF VII Sportsvan (14-) | 1,4 TSI | | 03.2014 | | 8V0 698 151 , 8V0 698 151 B , 8V0 698 151 D , 5Q0 698 151 , 5Q0 698 151 B , 8V0 698 151 G , 5Q0 698 151 D | |
| | | VOLKSWAGEN | GOLF VII Sportsvan (14-) | | | 05.2014 | | 8V0 698 151 , 8V0 698 151 B , 8V0 698 151 D , 5Q0 698 151 , 5Q0 698 151 B , 8V0 698 151 G , 5Q0 698 151 D | |
| | | VOLKSWAGEN | GOLF VII Sportsvan (14-) | 1,4 TSI MultiFuel | | 04.2014 | | 8V0 698 151 , 8V0 698 151 B , 8V0 698 151 D , 5Q0 698 151 , 5Q0 698 151 B , 8V0 698 151 G , 5Q0 698 151 D | |
| | | VOLKSWAGEN | GOLF VII Sportsvan (14-) | 1,6 | | 05.2014 | | 8V0 698 151 , 8V0 698 151 B , 8V0 698 151 D , 5Q0 698 151 , 5Q0 698 151 B , 8V0 698 151 G , 5Q0 698 151 D | |
| | | VOLKSWAGEN | GOLF VII Sportsvan (14-) | 1,6 TDI | | 02.2014 | | 8V0 698 151 , 8V0 698 151 B , 8V0 698 151 D , 5Q0 698 151 , 5Q0 698 151 B , 8V0 698 151 G , 5Q0 698 151 D | |



| | | | | | | | |
|--|--|--|--|--|-------------------------------|--|--|
| | | | | | OE numbers per ATE pn. | | e.g. replaced pn. / miscellaneous |
|--|--|--|--|--|-------------------------------|--|--|



SBV - Brake pads front

| | | | | | | | | | |
|----------------|---------------|------------|--------------------------|-----------------|--|---------|--|---|--|
| 13.0470-2785.2 | LD2785 | VOLKSWAGEN | GOLF VII Sportsvan (14-) | 1,0 TSI | | 05.2015 | | 8V0 698 151 , 8V0 698 151 B , 8V0 698 151 D , 5Q0 698 151 , 5Q0 698 151 B , 8V0 698 151 G , 5Q0 698 151 D | |
| | | VOLKSWAGEN | GOLF VII Variant (13-) | 1,4 TSI CNG | | 09.2013 | | 8V0 698 151 , 8V0 698 151 B , 8V0 698 151 D , 5Q0 698 151 , 5Q0 698 151 B , 8V0 698 151 G , 5Q0 698 151 D | |
| | | VOLKSWAGEN | GOLF VII Variant (13-) | 2,0 GTD | | 01.2015 | | 8V0 698 151 , 8V0 698 151 B , 8V0 698 151 D , 5Q0 698 151 , 5Q0 698 151 B , 8V0 698 151 G , 5Q0 698 151 D | |
| | | VOLKSWAGEN | GOLF VII Variant (13-) | 2,0 R 4motion | | 03.2015 | | 8V0 698 151 , 8V0 698 151 B , 8V0 698 151 D , 5Q0 698 151 , 5Q0 698 151 B , 8V0 698 151 G , 5Q0 698 151 D | |
| | | VOLKSWAGEN | GOLF VII Variant (13-) | 1,6 TDI 4motion | | 07.2013 | | 8V0 698 151 , 8V0 698 151 B , 8V0 698 151 D , 5Q0 698 151 , 5Q0 698 151 B , 8V0 698 151 G , 5Q0 698 151 D | |
| | | VOLKSWAGEN | GOLF VII Variant (13-) | 1,6 TDI | | 07.2013 | | 8V0 698 151 , 8V0 698 151 B , 8V0 698 151 D , 5Q0 698 151 , 5Q0 698 151 B , 8V0 698 151 G , 5Q0 698 151 D | |
| | | VOLKSWAGEN | GOLF VII Variant (13-) | 1,6 | | 05.2014 | | 8V0 698 151 , 8V0 698 151 B , 8V0 698 151 D , 5Q0 698 151 , 5Q0 698 151 B , 8V0 698 151 G , 5Q0 698 151 D | |
| | | VOLKSWAGEN | GOLF VII Variant (13-) | 2,0 TDI | | 07.2013 | | 8V0 698 151 , 8V0 698 151 B , 8V0 698 151 D , 5Q0 698 151 , 5Q0 698 151 B , 8V0 698 151 G , 5Q0 698 151 D | |



| | | | | | | |
|--|--|--|--|--|-------------------------------|---------------------------------------|
| | | | | | OE numbers per ATE pn. | e.g. replaced pn. / miscellaneous |
|--|--|--|--|--|-------------------------------|---------------------------------------|



SBV - Brake pads front

| | | | | | | |
|----------------|---------------|------------|------------------------|-------------------|---------|---|
| 13.0470-2785.2 | LD2785 | VOLKSWAGEN | GOLF VII Variant (13-) | 1,4 TSI MultiFuel | 04.2013 | 8V0 698 151 , 8V0 698 151 B , 8V0 698 151 D , 5Q0 698 151 , 5Q0 698 151 B , 8V0 698 151 G , 5Q0 698 151 D |
| | | VOLKSWAGEN | GOLF VII Variant (13-) | 2,0 TDI 4motion | 07.2013 | 8V0 698 151 , 8V0 698 151 B , 8V0 698 151 D , 5Q0 698 151 , 5Q0 698 151 B , 8V0 698 151 G , 5Q0 698 151 D |
| | | VOLKSWAGEN | GOLF VII Variant (13-) | 1,4 TSI | 07.2013 | 8V0 698 151 , 8V0 698 151 B , 8V0 698 151 D , 5Q0 698 151 , 5Q0 698 151 B , 8V0 698 151 G , 5Q0 698 151 D |
| | | VOLKSWAGEN | GOLF VII Variant (13-) | | 05.2014 | 8V0 698 151 , 8V0 698 151 B , 8V0 698 151 D , 5Q0 698 151 , 5Q0 698 151 B , 8V0 698 151 G , 5Q0 698 151 D |
| | | VOLKSWAGEN | GOLF VII Variant (13-) | 1,2 TSI | 07.2013 | 8V0 698 151 , 8V0 698 151 B , 8V0 698 151 D , 5Q0 698 151 , 5Q0 698 151 B , 8V0 698 151 G , 5Q0 698 151 D |
| | | VOLKSWAGEN | GOLF VII Variant (13-) | | 04.2014 | 8V0 698 151 , 8V0 698 151 B , 8V0 698 151 D , 5Q0 698 151 , 5Q0 698 151 B , 8V0 698 151 G , 5Q0 698 151 D |
| | | VOLKSWAGEN | GOLF VII Variant (13-) | 1,0 TSI | 05.2015 | 8V0 698 151 , 8V0 698 151 B , 8V0 698 151 D , 5Q0 698 151 , 5Q0 698 151 B , 8V0 698 151 G , 5Q0 698 151 D |
| | | VOLKSWAGEN | GOLF VII Variant (13-) | 1,4 TSI MultiFuel | 05.2014 | 8V0 698 151 , 8V0 698 151 B , 8V0 698 151 D , 5Q0 698 151 , 5Q0 698 151 B , 8V0 698 151 G , 5Q0 698 151 D |



| | | | | | | | |
|--|--|--|--|--|-------------------------------|--|--|
| | | | | | OE numbers per ATE pn. | | e.g. replaced pn. / miscellaneous |
|--|--|--|--|--|-------------------------------|--|--|



SBV - Brake pads front

| | | | | | | |
|----------------|---------------|------|-------------------------------|----------------|---------|---|
| 13.0470-2785.2 | LD2785 | SEAT | LEON III (5F) / SC / ST (12-) | 1,2 TSI | 09.2012 | 8V0 698 151 , 8V0 698 151 B , 8V0 698 151 D , 5Q0 698 151 , 5Q0 698 151 B , 8V0 698 151 G , 5Q0 698 151 D |
| | | SEAT | LEON III (5F) / SC / ST (12-) | | 04.2014 | 8V0 698 151 , 8V0 698 151 B , 8V0 698 151 D , 5Q0 698 151 , 5Q0 698 151 B , 8V0 698 151 G , 5Q0 698 151 D |
| | | SEAT | LEON III (5F) / SC / ST (12-) | 2,0 TDI 4Drive | 11.2014 | 8V0 698 151 , 8V0 698 151 B , 8V0 698 151 D , 5Q0 698 151 , 5Q0 698 151 B , 8V0 698 151 G , 5Q0 698 151 D |
| | | SEAT | LEON III (5F) / SC / ST (12-) | | 04.2014 | 8V0 698 151 , 8V0 698 151 B , 8V0 698 151 D , 5Q0 698 151 , 5Q0 698 151 B , 8V0 698 151 G , 5Q0 698 151 D |
| | | SEAT | LEON III (5F) / SC / ST (12-) | 2,0 TDI | 09.2012 | 8V0 698 151 , 8V0 698 151 B , 8V0 698 151 D , 5Q0 698 151 , 5Q0 698 151 B , 8V0 698 151 G , 5Q0 698 151 D |
| | | SEAT | LEON III (5F) / SC / ST (12-) | 2,0 Cupra | 10.2013 | 8V0 698 151 , 8V0 698 151 B , 8V0 698 151 D , 5Q0 698 151 , 5Q0 698 151 B , 8V0 698 151 G , 5Q0 698 151 D |
| | | SEAT | LEON III (5F) / SC / ST (12-) | 1,8 TSI | 09.2012 | 8V0 698 151 , 8V0 698 151 B , 8V0 698 151 D , 5Q0 698 151 , 5Q0 698 151 B , 8V0 698 151 G , 5Q0 698 151 D |
| | | SEAT | LEON III (5F) / SC / ST (12-) | 1,6 TDI 4Drive | 11.2014 | 8V0 698 151 , 8V0 698 151 B , 8V0 698 151 D , 5Q0 698 151 , 5Q0 698 151 B , 8V0 698 151 G , 5Q0 698 151 D |



| | | | | | | | |
|--|--|--|--|--|-------------------------------|--|--|
| | | | | | OE numbers per ATE pn. | | e.g. replaced pn. / miscellaneous |
|--|--|--|--|--|-------------------------------|--|--|



SBV - Brake pads front

| | | | | | | |
|----------------|---------------|------|-------------------------------|----------------|---------|---|
| 13.0470-2785.2 | LD2785 | SEAT | LEON III (5F) / SC / ST (12-) | 1,6 TDI 4Drive | 04.2014 | 8V0 698 151 , 8V0 698 151 B , 8V0 698 151 D , 5Q0 698 151 , 5Q0 698 151 B , 8V0 698 151 G , 5Q0 698 151 D |
| | | SEAT | LEON III (5F) / SC / ST (12-) | 1,6 TDI | 09.2013 | 8V0 698 151 , 8V0 698 151 B , 8V0 698 151 D , 5Q0 698 151 , 5Q0 698 151 B , 8V0 698 151 G , 5Q0 698 151 D |
| | | SEAT | LEON III (5F) / SC / ST (12-) | | 09.2012 | 8V0 698 151 , 8V0 698 151 B , 8V0 698 151 D , 5Q0 698 151 , 5Q0 698 151 B , 8V0 698 151 G , 5Q0 698 151 D |
| | | SEAT | LEON III (5F) / SC / ST (12-) | 1,4 TSI | 09.2012 | 8V0 698 151 , 8V0 698 151 B , 8V0 698 151 D , 5Q0 698 151 , 5Q0 698 151 B , 8V0 698 151 G , 5Q0 698 151 D |
| | | SEAT | LEON III (5F) / SC / ST (12-) | | 05.2014 | 8V0 698 151 , 8V0 698 151 B , 8V0 698 151 D , 5Q0 698 151 , 5Q0 698 151 B , 8V0 698 151 G , 5Q0 698 151 D |
| | | SEAT | LEON III (5F) / SC / ST (12-) | 1,4 TGI | 10.2013 | 8V0 698 151 , 8V0 698 151 B , 8V0 698 151 D , 5Q0 698 151 , 5Q0 698 151 B , 8V0 698 151 G , 5Q0 698 151 D |
| | | SEAT | LEON III (5F) / SC / ST (12-) | 2,0 TDI | 05.2013 | 8V0 698 151 , 8V0 698 151 B , 8V0 698 151 D , 5Q0 698 151 , 5Q0 698 151 B , 8V0 698 151 G , 5Q0 698 151 D |
| | | SEAT | LEON III (5F) / SC / ST (12-) | 1,0 TSI | 05.2015 | 8V0 698 151 , 8V0 698 151 B , 8V0 698 151 D , 5Q0 698 151 , 5Q0 698 151 B , 8V0 698 151 G , 5Q0 698 151 D |



| | | | | | | | |
|--|--|--|--|--|-------------------------------|--|--|
| | | | | | OE numbers per ATE pn. | | e.g. replaced pn. / miscellaneous |
|--|--|--|--|--|-------------------------------|--|--|



SBV - Brake pads front

| | | | | | | | | | |
|----------------|---------------|-------|-----------------------------------|----------------|--|---------|--|---|--|
| 13.0470-2785.2 | LD2785 | SEAT | LEON III (5F) / SC / ST (12-) | 1,8 TSI 4Drive | | 11.2014 | | 8V0 698 151 , 8V0 698 151 B , 8V0 698 151 D , 5Q0 698 151 , 5Q0 698 151 B , 8V0 698 151 G , 5Q0 698 151 D | |
| | | SEAT | LEON III (5F) ST X-Perience (14-) | 1,8 TSI | | 09.2014 | | 8V0 698 151 , 8V0 698 151 B , 8V0 698 151 D , 5Q0 698 151 , 5Q0 698 151 B , 8V0 698 151 G , 5Q0 698 151 D | |
| | | SEAT | LEON III (5F) ST X-Perience (14-) | 2,0 TDI | | 09.2014 | | 8V0 698 151 , 8V0 698 151 B , 8V0 698 151 D , 5Q0 698 151 , 5Q0 698 151 B , 8V0 698 151 G , 5Q0 698 151 D | |
| | | SEAT | LEON III (5F) ST X-Perience (14-) | 1,6 TDI | | 09.2014 | | 8V0 698 151 , 8V0 698 151 B , 8V0 698 151 D , 5Q0 698 151 , 5Q0 698 151 B , 8V0 698 151 G , 5Q0 698 151 D | |
| | | SKODA | OCTAVIA III (5E) (12-) | 2,0 TDI | | 02.2013 | | 8V0 698 151 , 8V0 698 151 B , 8V0 698 151 D , 5Q0 698 151 , 5Q0 698 151 B , 8V0 698 151 G , 5Q0 698 151 D | |
| | | SKODA | OCTAVIA III (5E) (12-) | 1,4 TSI G-TEC | | 11.2013 | | 8V0 698 151 , 8V0 698 151 B , 8V0 698 151 D , 5Q0 698 151 , 5Q0 698 151 B , 8V0 698 151 G , 5Q0 698 151 D | |
| | | SKODA | OCTAVIA III (5E) (12-) | 1,6 | | 01.2014 | | 8V0 698 151 , 8V0 698 151 B , 8V0 698 151 D , 5Q0 698 151 , 5Q0 698 151 B , 8V0 698 151 G , 5Q0 698 151 D | |
| | | SKODA | OCTAVIA III (5E) (12-) | 1,6 TDI | | 02.2013 | | 8V0 698 151 , 8V0 698 151 B , 8V0 698 151 D , 5Q0 698 151 , 5Q0 698 151 B , 8V0 698 151 G , 5Q0 698 151 D | |



| | | | | | | | |
|--|--|--|--|--|-------------------------------|--|--|
| | | | | | OE numbers per ATE pn. | | e.g. replaced pn. / miscellaneous |
|--|--|--|--|--|-------------------------------|--|--|



SBV - Brake pads front

| | | | | | | |
|----------------|---------------|-------|------------------------|-------------|---------|---|
| 13.0470-2785.2 | LD2785 | SKODA | OCTAVIA III (5E) (12-) | 1,6 TDI 4x4 | 05.2015 | 8V0 698 151 , 8V0 698 151 B , 8V0 698 151 D , 5Q0 698 151 , 5Q0 698 151 B , 8V0 698 151 G , 5Q0 698 151 D |
| | | SKODA | OCTAVIA III (5E) (12-) | | 11.2012 | 8V0 698 151 , 8V0 698 151 B , 8V0 698 151 D , 5Q0 698 151 , 5Q0 698 151 B , 8V0 698 151 G , 5Q0 698 151 D |
| | | SKODA | OCTAVIA III (5E) (12-) | 1,2 TSI | 05.2015 | 8V0 698 151 , 8V0 698 151 B , 8V0 698 151 D , 5Q0 698 151 , 5Q0 698 151 B , 8V0 698 151 G , 5Q0 698 151 D |
| | | SKODA | OCTAVIA III (5E) (12-) | 1,8 TSI 4x4 | 11.2012 | 8V0 698 151 , 8V0 698 151 B , 8V0 698 151 D , 5Q0 698 151 , 5Q0 698 151 B , 8V0 698 151 G , 5Q0 698 151 D |
| | | SKODA | OCTAVIA III (5E) (12-) | 1,4 TSI | 11.2012 | 8V0 698 151 , 8V0 698 151 B , 8V0 698 151 D , 5Q0 698 151 , 5Q0 698 151 B , 8V0 698 151 G , 5Q0 698 151 D |
| | | SKODA | OCTAVIA III (5E) (12-) | 2,0 TDI | 05.2013 | 8V0 698 151 , 8V0 698 151 B , 8V0 698 151 D , 5Q0 698 151 , 5Q0 698 151 B , 8V0 698 151 G , 5Q0 698 151 D |
| | | SKODA | OCTAVIA III (5E) (12-) | | 11.2012 | 8V0 698 151 , 8V0 698 151 B , 8V0 698 151 D , 5Q0 698 151 , 5Q0 698 151 B , 8V0 698 151 G , 5Q0 698 151 D |
| | | SKODA | OCTAVIA III (5E) (12-) | 2,0 TDI 4x4 | 09.2014 | 8V0 698 151 , 8V0 698 151 B , 8V0 698 151 D , 5Q0 698 151 , 5Q0 698 151 B , 8V0 698 151 G , 5Q0 698 151 D |



| | | | | | | | |
|--|--|--|--|--|-------------------------------|--|--|
| | | | | | OE numbers per ATE pn. | | e.g. replaced pn. / miscellaneous |
|--|--|--|--|--|-------------------------------|--|--|



SBV - Brake pads front

| | | | | | | | |
|----------------|---------------|------------|-------------------------------|-----------------|---------|---|--|
| 13.0470-2785.2 | LD2785 | SKODA | OCTAVIA III (5E) (12-) | 2,0 TDI 4x4 | 11.2012 | 8V0 698 151 , 8V0 698 151 B , 8V0 698 151 D , 5Q0 698 151 , 5Q0 698 151 B , 8V0 698 151 G , 5Q0 698 151 D | |
| | | SKODA | OCTAVIA III (5E) (12-) | 2,0 TSI RS | 05.2013 | 8V0 698 151 , 8V0 698 151 B , 8V0 698 151 D , 5Q0 698 151 , 5Q0 698 151 B , 8V0 698 151 G , 5Q0 698 151 D | |
| | | SKODA | OCTAVIA III (5E) (12-) | | 05.2015 | 8V0 698 151 , 8V0 698 151 B , 8V0 698 151 D , 5Q0 698 151 , 5Q0 698 151 B , 8V0 698 151 G , 5Q0 698 151 D | |
| | | SKODA | OCTAVIA III (5E) (12-) | 1,8 TSI | 11.2012 | 8V0 698 151 , 8V0 698 151 B , 8V0 698 151 D , 5Q0 698 151 , 5Q0 698 151 B , 8V0 698 151 G , 5Q0 698 151 D | |
| | | SKODA | OCTAVIA III (5E) (12-) | 1,2 TSI | 02.2013 | 8V0 698 151 , 8V0 698 151 B , 8V0 698 151 D , 5Q0 698 151 , 5Q0 698 151 B , 8V0 698 151 G , 5Q0 698 151 D | |
| | | SKODA | OCTAVIA III (5E) (12-) | 1,4 TSI | 05.2015 | 8V0 698 151 , 8V0 698 151 B , 8V0 698 151 D , 5Q0 698 151 , 5Q0 698 151 B , 8V0 698 151 G , 5Q0 698 151 D | |
| | | VOLKSWAGEN | PASSAT / PASSAT VARIANT (14-) | 2,0 TDI 4motion | 11.2014 | 8V0 698 151 , 8V0 698 151 B , 8V0 698 151 D , 5Q0 698 151 , 5Q0 698 151 B , 8V0 698 151 G , 5Q0 698 151 D | |
| | | VOLKSWAGEN | PASSAT / PASSAT VARIANT (14-) | 1,4 GTE Hybrid | 06.2015 | 8V0 698 151 , 8V0 698 151 B , 8V0 698 151 D , 5Q0 698 151 , 5Q0 698 151 B , 8V0 698 151 G , 5Q0 698 151 D | |



| | | | | | | | |
|--|--|--|--|--|-------------------------------|--|--|
| | | | | | OE numbers per ATE pn. | | e.g. replaced pn. / miscellaneous |
|--|--|--|--|--|-------------------------------|--|--|



SBV - Brake pads front

| | | | | | | | | | |
|----------------|---------------|------------|-------------------------------|-----------------|--|---------|--|---|--|
| 13.0470-2785.2 | LD2785 | VOLKSWAGEN | PASSAT / PASSAT VARIANT (14-) | 1,4 TDI | | 11.2014 | | 8V0 698 151 , 8V0 698 151 B , 8V0 698 151 D , 5Q0 698 151 , 5Q0 698 151 B , 8V0 698 151 G , 5Q0 698 151 D | |
| | | VOLKSWAGEN | PASSAT / PASSAT VARIANT (14-) | 1,4 TSI | | 11.2014 | | 8V0 698 151 , 8V0 698 151 B , 8V0 698 151 D , 5Q0 698 151 , 5Q0 698 151 B , 8V0 698 151 G , 5Q0 698 151 D | |
| | | VOLKSWAGEN | PASSAT / PASSAT VARIANT (14-) | 1,4 TSI 4motion | | 02.2015 | | 8V0 698 151 , 8V0 698 151 B , 8V0 698 151 D , 5Q0 698 151 , 5Q0 698 151 B , 8V0 698 151 G , 5Q0 698 151 D | |
| | | VOLKSWAGEN | PASSAT / PASSAT VARIANT (14-) | 1,6 TDI | | 11.2014 | | 8V0 698 151 , 8V0 698 151 B , 8V0 698 151 D , 5Q0 698 151 , 5Q0 698 151 B , 8V0 698 151 G , 5Q0 698 151 D | |
| | | VOLKSWAGEN | PASSAT / PASSAT VARIANT (14-) | 1,8 TSI | | 11.2014 | | 8V0 698 151 , 8V0 698 151 B , 8V0 698 151 D , 5Q0 698 151 , 5Q0 698 151 B , 8V0 698 151 G , 5Q0 698 151 D | |
| | | VOLKSWAGEN | PASSAT / PASSAT VARIANT (14-) | 2,0 TDI 4motion | | 02.2015 | | 8V0 698 151 , 8V0 698 151 B , 8V0 698 151 D , 5Q0 698 151 , 5Q0 698 151 B , 8V0 698 151 G , 5Q0 698 151 D | |
| | | VOLKSWAGEN | PASSAT / PASSAT VARIANT (14-) | 2,0 TSI | | 05.2015 | | 8V0 698 151 , 8V0 698 151 B , 8V0 698 151 D , 5Q0 698 151 , 5Q0 698 151 B , 8V0 698 151 G , 5Q0 698 151 D | |
| | | VOLKSWAGEN | PASSAT / PASSAT VARIANT (14-) | | | 11.2014 | | 8V0 698 151 , 8V0 698 151 B , 8V0 698 151 D , 5Q0 698 151 , 5Q0 698 151 B , 8V0 698 151 G , 5Q0 698 151 D | |



| | | | | | | | |
|--|--|--|--|--|-------------------------------|--|--|
| | | | | | OE numbers per ATE pn. | | e.g. replaced pn. / miscellaneous |
|--|--|--|--|--|-------------------------------|--|--|



SBV - Brake pads front

| | | | | | | | | | |
|----------------|---------------|------------|-------------------------------|-----------------|--|---------|--|---|--|
| 13.0470-2785.2 | LD2785 | VOLKSWAGEN | PASSAT / PASSAT VARIANT (14-) | 2,0 TSI 4motion | | 05.2015 | | 8V0 698 151 , 8V0 698 151 B , 8V0 698 151 D , 5Q0 698 151 , 5Q0 698 151 B , 8V0 698 151 G , 5Q0 698 151 D | |
| | | VOLKSWAGEN | PASSAT / PASSAT VARIANT (14-) | 2,0 TDI | | 11.2014 | | 8V0 698 151 , 8V0 698 151 B , 8V0 698 151 D , 5Q0 698 151 , 5Q0 698 151 B , 8V0 698 151 G , 5Q0 698 151 D | |
| | | VOLKSWAGEN | PASSAT ALLTRACK (15-) | 2,0 TDI 4motion | | 05.2015 | | 8V0 698 151 , 8V0 698 151 B , 8V0 698 151 D , 5Q0 698 151 , 5Q0 698 151 B , 8V0 698 151 G , 5Q0 698 151 D | |
| | | VOLKSWAGEN | PASSAT ALLTRACK (15-) | 2,0 TSI 4motion | | 07.2015 | | 8V0 698 151 , 8V0 698 151 B , 8V0 698 151 D , 5Q0 698 151 , 5Q0 698 151 B , 8V0 698 151 G , 5Q0 698 151 D | |
| | | SKODA | SUPERB III (15-) | 1,4 TSI | | 03.2015 | | 8V0 698 151 , 8V0 698 151 B , 8V0 698 151 D , 5Q0 698 151 , 5Q0 698 151 B , 8V0 698 151 G , 5Q0 698 151 D | |
| | | SKODA | SUPERB III (15-) | 2,0 TSI | | 03.2015 | | 8V0 698 151 , 8V0 698 151 B , 8V0 698 151 D , 5Q0 698 151 , 5Q0 698 151 B , 8V0 698 151 G , 5Q0 698 151 D | |
| | | SKODA | SUPERB III (15-) | 1,6 TDI | | 03.2015 | | 8V0 698 151 , 8V0 698 151 B , 8V0 698 151 D , 5Q0 698 151 , 5Q0 698 151 B , 8V0 698 151 G , 5Q0 698 151 D | |
| | | SKODA | SUPERB III (15-) | 1,8 TSI | | 03.2015 | | 8V0 698 151 , 8V0 698 151 B , 8V0 698 151 D , 5Q0 698 151 , 5Q0 698 151 B , 8V0 698 151 G , 5Q0 698 151 D | |



| | | | | | | | |
|--|--|--|--|--|-------------------------------|--|--|
| | | | | | OE numbers per ATE pn. | | e.g. replaced pn. / miscellaneous |
|--|--|--|--|--|-------------------------------|--|--|



SBV - Brake pads front

| | | | | | | |
|----------------|---------------|-------|------------------------|-------------|---------|---|
| 13.0470-2785.2 | LD2785 | SKODA | SUPERB III (15-) | 2,0 TDI 4x4 | 03.2015 | 8V0 698 151 , 8V0 698 151 B , 8V0 698 151 D , 5Q0 698 151 , 5Q0 698 151 B , 8V0 698 151 G , 5Q0 698 151 D |
| | | SKODA | SUPERB III (15-) | 2,0 TDI | 03.2015 | 8V0 698 151 , 8V0 698 151 B , 8V0 698 151 D , 5Q0 698 151 , 5Q0 698 151 B , 8V0 698 151 G , 5Q0 698 151 D |
| | | SKODA | SUPERB III (15-) | 2,0 TSI 4x4 | 03.2015 | 8V0 698 151 , 8V0 698 151 B , 8V0 698 151 D , 5Q0 698 151 , 5Q0 698 151 B , 8V0 698 151 G , 5Q0 698 151 D |
| | | SKODA | SUPERB III (15-) | 1,4 TSI 4x4 | 03.2015 | 8V0 698 151 , 8V0 698 151 B , 8V0 698 151 D , 5Q0 698 151 , 5Q0 698 151 B , 8V0 698 151 G , 5Q0 698 151 D |
| | | SKODA | SUPERB III Combi (15-) | 1,8 TSI | 03.2015 | 8V0 698 151 , 8V0 698 151 B , 8V0 698 151 D , 5Q0 698 151 , 5Q0 698 151 B , 8V0 698 151 G , 5Q0 698 151 D |
| | | SKODA | SUPERB III Combi (15-) | 2,0 TSI | 03.2015 | 8V0 698 151 , 8V0 698 151 B , 8V0 698 151 D , 5Q0 698 151 , 5Q0 698 151 B , 8V0 698 151 G , 5Q0 698 151 D |
| | | SKODA | SUPERB III Combi (15-) | 2,0 TDI | 03.2015 | 8V0 698 151 , 8V0 698 151 B , 8V0 698 151 D , 5Q0 698 151 , 5Q0 698 151 B , 8V0 698 151 G , 5Q0 698 151 D |
| | | SKODA | SUPERB III Combi (15-) | 2,0 TSI 4x4 | 03.2015 | 8V0 698 151 , 8V0 698 151 B , 8V0 698 151 D , 5Q0 698 151 , 5Q0 698 151 B , 8V0 698 151 G , 5Q0 698 151 D |



| | | | | | | |
|--|--|--|--|--|-------------------------------|---------------------------------------|
| | | | | | OE numbers per ATE pn. | e.g. replaced pn. / miscellaneous |
|--|--|--|--|--|-------------------------------|---------------------------------------|



SBV - Brake pads front

| | | | | | | |
|----------------|---------------|------------|------------------------|-------------|---------|---|
| 13.0470-2785.2 | LD2785 | SKODA | SUPERB III Combi (15-) | 1,6 TDI | 03.2015 | 8V0 698 151 , 8V0 698 151 B , 8V0 698 151 D , 5Q0 698 151 , 5Q0 698 151 B , 8V0 698 151 G , 5Q0 698 151 D |
| | | SKODA | SUPERB III Combi (15-) | 1,4 TSI 4x4 | 03.2015 | 8V0 698 151 , 8V0 698 151 B , 8V0 698 151 D , 5Q0 698 151 , 5Q0 698 151 B , 8V0 698 151 G , 5Q0 698 151 D |
| | | SKODA | SUPERB III Combi (15-) | 1,4 TSI | 03.2015 | 8V0 698 151 , 8V0 698 151 B , 8V0 698 151 D , 5Q0 698 151 , 5Q0 698 151 B , 8V0 698 151 G , 5Q0 698 151 D |
| | | SKODA | SUPERB III Combi (15-) | 2,0 TDI 4x4 | 03.2015 | 8V0 698 151 , 8V0 698 151 B , 8V0 698 151 D , 5Q0 698 151 , 5Q0 698 151 B , 8V0 698 151 G , 5Q0 698 151 D |
| | | VOLKSWAGEN | TOURAN II (15-) | 1,2 TSI | 09.2015 | 8V0 698 151 , 8V0 698 151 B , 8V0 698 151 D , 5Q0 698 151 , 5Q0 698 151 B , 8V0 698 151 G , 5Q0 698 151 D |
| | | VOLKSWAGEN | TOURAN II (15-) | 1,4 TSI | 09.2015 | 8V0 698 151 , 8V0 698 151 B , 8V0 698 151 D , 5Q0 698 151 , 5Q0 698 151 B , 8V0 698 151 G , 5Q0 698 151 D |
| | | VOLKSWAGEN | TOURAN II (15-) | 1,6 TDI | 09.2015 | 8V0 698 151 , 8V0 698 151 B , 8V0 698 151 D , 5Q0 698 151 , 5Q0 698 151 B , 8V0 698 151 G , 5Q0 698 151 D |
| | | VOLKSWAGEN | TOURAN II (15-) | 2,0 TDI | 09.2015 | 8V0 698 151 , 8V0 698 151 B , 8V0 698 151 D , 5Q0 698 151 , 5Q0 698 151 B , 8V0 698 151 G , 5Q0 698 151 D |



| | | | | | | | |
|--|--|--|--|--|-------------------------------|--|--|
| | | | | | OE numbers per ATE pn. | | e.g. replaced pn. / miscellaneous |
|--|--|--|--|--|-------------------------------|--|--|



SBV - Brake pads front

| | | | | | | |
|----------------|---------------|------|----------|------------------|---------|---|
| 13.0470-2785.2 | LD2785 | AUDI | TT (14-) | 2,0 TDI quattro | 07.2014 | 8V0 698 151 , 8V0 698 151 B , 8V0 698 151 D , 5Q0 698 151 , 5Q0 698 151 B , 8V0 698 151 G , 5Q0 698 151 D |
| | | AUDI | TT (14-) | 1,8 TFSI | 07.2015 | 8V0 698 151 , 8V0 698 151 B , 8V0 698 151 D , 5Q0 698 151 , 5Q0 698 151 B , 8V0 698 151 G , 5Q0 698 151 D |
| | | AUDI | TT (14-) | 2,0 TDI | 07.2014 | 8V0 698 151 , 8V0 698 151 B , 8V0 698 151 D , 5Q0 698 151 , 5Q0 698 151 B , 8V0 698 151 G , 5Q0 698 151 D |
| | | AUDI | TT (14-) | 2,0 TFSI | 07.2014 | 8V0 698 151 , 8V0 698 151 B , 8V0 698 151 D , 5Q0 698 151 , 5Q0 698 151 B , 8V0 698 151 G , 5Q0 698 151 D |
| | | AUDI | TT (14-) | 2,0 TFSI quattro | 07.2014 | 8V0 698 151 , 8V0 698 151 B , 8V0 698 151 D , 5Q0 698 151 , 5Q0 698 151 B , 8V0 698 151 G , 5Q0 698 151 D |
| | | AUDI | TT (14-) | | 07.2015 | 8V0 698 151 , 8V0 698 151 B , 8V0 698 151 D , 5Q0 698 151 , 5Q0 698 151 B , 8V0 698 151 G , 5Q0 698 151 D |
| | | AUDI | TT (14-) | TTS 2,0 quattro | 02.2015 | 8V0 698 151 , 8V0 698 151 B , 8V0 698 151 D , 5Q0 698 151 , 5Q0 698 151 B , 8V0 698 151 G , 5Q0 698 151 D |



SCH - Brake disc rear



| | | | | | | | |
|--|--|--|--|--|-------------------------------|--|--|
| | | | | | OE numbers per ATE pn. | | e.g. replaced pn. / miscellaneous |
|--|--|--|--|--|-------------------------------|--|--|



SCH - Brake disc rear

| | | | | | | | | |
|----------------|---------------|-----|-------------------------------------|-------|---------|---------|---|--|
| 24.0310-0315.1 | 510315 | BMW | 1er Reihe/E81/E87 Limousine (04-11) | 120 i | 04.2007 | 05.2011 | 34 21 6 769 271 , 34 21 4 031 725 , 34 21 6 764 649 , 34 21 6 855 002 | |
| | | BMW | 1er Reihe/E81/E87 Limousine (04-11) | | 09.2004 | 03.2007 | 34 21 6 769 271 , 34 21 4 031 725 , 34 21 6 764 649 , 34 21 6 855 002 | |
| | | BMW | 1er Reihe/E81/E87 Limousine (04-11) | 118 i | 04.2007 | 05.2011 | 34 21 6 769 271 , 34 21 4 031 725 , 34 21 6 764 649 , 34 21 6 855 002 | |
| | | BMW | 1er Reihe/E81/E87 Limousine (04-11) | | 09.2004 | 03.2007 | 34 21 6 769 271 , 34 21 4 031 725 , 34 21 6 764 649 , 34 21 6 855 002 | |
| | | BMW | 3er Reihe/E90 Limousine (05-12) | 316 i | 09.2007 | 03.2012 | 34 21 6 769 271 , 34 21 4 031 725 , 34 21 6 764 649 , 34 21 6 855 002 | |
| | | BMW | 3er Reihe/E90 Limousine (05-12) | 316 d | 07.2009 | 03.2012 | 34 21 6 769 271 , 34 21 4 031 725 , 34 21 6 764 649 , 34 21 6 855 002 | |
| | | BMW | 3er Reihe/E90 Limousine (05-12) | 318 d | 09.2005 | 08.2007 | 34 21 6 769 271 , 34 21 4 031 725 , 34 21 6 764 649 , 34 21 6 855 002 | |
| | | BMW | 3er Reihe/E90 Limousine (05-12) | 316 i | 01.2005 | 08.2007 | 34 21 6 769 271 , 34 21 4 031 725 , 34 21 6 764 649 , 34 21 6 855 002 | |
| | | BMW | 3er Reihe/E90 Limousine (05-12) | 318 i | 09.2005 | 08.2007 | 34 21 6 769 271 , 34 21 4 031 725 , 34 21 6 764 649 , 34 21 6 855 002 | |
| | | BMW | 3er Reihe/E90 Limousine (05-12) | 320 i | 12.2004 | 08.2007 | 34 21 6 769 271 , 34 21 4 031 725 , 34 21 6 764 649 , 34 21 6 855 002 | |



| | | | | | | | |
|--|--|--|--|--|-------------------------------|--|--|
| | | | | | OE numbers per ATE pn. | | e.g. replaced pn. / miscellaneous |
|--|--|--|--|--|-------------------------------|--|--|



SCH - Brake disc rear

| | | | | | | | | |
|----------------|---------------|-----|-------------------------------------|--------|---------|---------|---|--|
| 24.0310-0315.1 | 510315 | BMW | 3er Reihe/E92 Coupe (06-13) | 316 i | 09.2007 | 06.2013 | 34 21 6 769 271 , 34 21 4 031 725 , 34 21 6 764 649 , 34 21 6 855 002 | |
| 24.0320-0204.1 | 520204 | BMW | 1er Reihe/E81/E87 Limousine (04-11) | 123 d | 04.2007 | 05.2011 | 34 21 6 855 008 , 34 21 6 864 901 , 34 21 6 764 653 | |
| | | BMW | 1er Reihe/E81/E87 Limousine (04-11) | 130 i | 03.2005 | 05.2011 | 34 21 6 855 008 , 34 21 6 864 901 , 34 21 6 764 653 | |
| | | BMW | 1er Reihe/E81/E87 Limousine (04-11) | | 09.2005 | 05.2011 | 34 21 6 855 008 , 34 21 6 864 901 , 34 21 6 764 653 | |
| | | BMW | 3er Reihe/E90 Limousine (05-12) | 320 si | 06.2006 | 03.2012 | 34 21 6 855 008 , 34 21 6 864 901 , 34 21 6 764 653 | |
| | | BMW | 3er Reihe/E90 Limousine (05-12) | 320 xd | 09.2007 | 03.2012 | 34 21 6 855 008 , 34 21 6 864 901 , 34 21 6 764 653 | |
| | | BMW | 3er Reihe/E90 Limousine (05-12) | 325 xi | 01.2005 | 03.2012 | 34 21 6 855 008 , 34 21 6 864 901 , 34 21 6 764 653 | |
| | | BMW | 3er Reihe/E91 Touring (05-12) | 320 i | 09.2007 | 09.2009 | 34 21 6 855 008 , 34 21 6 864 901 , 34 21 6 764 653 | |
| | | BMW | 3er Reihe/E91 Touring (05-12) | 325 xi | 06.2005 | 05.2012 | 34 21 6 855 008 , 34 21 6 864 901 , 34 21 6 764 653 | |
| | | BMW | 3er Reihe/E91 Touring (05-12) | 325 i | 06.2005 | 09.2009 | 34 21 6 855 008 , 34 21 6 864 901 , 34 21 6 764 653 | |
| | | BMW | 3er Reihe/E91 Touring (05-12) | | 01.2012 | 05.2012 | 34 21 6 855 008 , 34 21 6 864 901 , 34 21 6 764 653 | |
| | | BMW | 3er Reihe/E91 Touring (05-12) | 320 xd | 09.2007 | 05.2012 | 34 21 6 855 008 , 34 21 6 864 901 , 34 21 6 764 653 | |
| | | BMW | 3er Reihe/E91 Touring (05-12) | 320 i | 06.2005 | 08.2007 | 34 21 6 855 008 , 34 21 6 864 901 , 34 21 6 764 653 | |



| | | | | | | |
|--|--|--|--|--|-------------------------------|---------------------------------------|
| | | | | | OE numbers per ATE pn. | e.g. replaced pn. / miscellaneous |
|--|--|--|--|--|-------------------------------|---------------------------------------|



SCH - Brake disc rear

| | | | | | | | | |
|----------------|---------------|-----|-------------------------------|--------|---------|---------|---|--|
| 24.0320-0204.1 | 520204 | BMW | 3er Reihe/E91 Touring (05-12) | 320 d | 09.2007 | 09.2009 | 34 21 6 855 008 , 34 21 6 864 901 , 34 21 6 764 653 | |
| | | BMW | 3er Reihe/E91 Touring (05-12) | | 06.2005 | 08.2007 | 34 21 6 855 008 , 34 21 6 864 901 , 34 21 6 764 653 | |
| | | BMW | 3er Reihe/E91 Touring (05-12) | 318 i | 09.2007 | 09.2009 | 34 21 6 855 008 , 34 21 6 864 901 , 34 21 6 764 653 | |
| | | BMW | 3er Reihe/E91 Touring (05-12) | | 01.2006 | 08.2007 | 34 21 6 855 008 , 34 21 6 864 901 , 34 21 6 764 653 | |
| | | BMW | 3er Reihe/E91 Touring (05-12) | 318 d | 09.2007 | 09.2009 | 34 21 6 855 008 , 34 21 6 864 901 , 34 21 6 764 653 | |
| | | BMW | 3er Reihe/E91 Touring (05-12) | | 09.2005 | 08.2007 | 34 21 6 855 008 , 34 21 6 864 901 , 34 21 6 764 653 | |
| | | BMW | 3er Reihe/E91 Touring (05-12) | 316i | 09.2007 | 09.2009 | 34 21 6 855 008 , 34 21 6 864 901 , 34 21 6 764 653 | |
| | | BMW | 3er Reihe/E91 Touring (05-12) | 323 i | 09.2006 | 05.2012 | 34 21 6 855 008 , 34 21 6 864 901 , 34 21 6 764 653 | |
| | | BMW | 3er Reihe/E92 Coupe (06-13) | 320 xd | 03.2007 | 06.2013 | 34 21 6 855 008 , 34 21 6 864 901 , 34 21 6 764 653 | |
| | | BMW | 3er Reihe/E92 Coupe (06-13) | 325 xi | 09.2006 | 06.2013 | 34 21 6 855 008 , 34 21 6 864 901 , 34 21 6 764 653 | |
| | | BMW | 3er Reihe/E93 Cabrio (07-13) | 325 i | 03.2007 | 11.2013 | 34 21 6 855 008 , 34 21 6 864 901 , 34 21 6 764 653 | |
| | | BMW | 3er Reihe/E93 Cabrio (07-13) | 323 i | 03.2007 | 11.2013 | 34 21 6 855 008 , 34 21 6 864 901 , 34 21 6 764 653 | |
| | | BMW | 3er Reihe/E93 Cabrio (07-13) | 320 i | 03.2007 | 08.2009 | 34 21 6 855 008 , 34 21 6 864 901 , 34 21 6 764 653 | |
| | | BMW | 3er Reihe/E93 Cabrio (07-13) | 320 d | 03.2008 | 11.2013 | 34 21 6 855 008 , 34 21 6 864 901 , 34 21 6 764 653 | |



| | | | | | | |
|--|--|--|--|--|-------------------------------|--|
| | | | | | OE numbers per ATE pn. | e.g. replaced pn. / miscellaneous |
|--|--|--|--|--|-------------------------------|--|



SCH - Brake disc rear

| | | | | | | | | |
|----------------|---------------|-----|------------------------------|----------------|---------|---------|---|--|
| 24.0320-0204.1 | 520204 | BMW | 3er Reihe/E93 Cabrio (07-13) | 320 d | 01.2010 | 11.2013 | 34 21 6 855 008 , 34 21 6 864 901 , 34 21 6 764 653 | |
| | | BMW | 3er Reihe/E93 Cabrio (07-13) | | 01.2008 | 11.2013 | 34 21 6 855 008 , 34 21 6 864 901 , 34 21 6 764 653 | |
| | | BMW | X1/E84 (09-) | xDrive 25 d | 07.2012 | | 34 21 6 855 008 , 34 21 6 864 901 , 34 21 6 764 653 | |
| | | BMW | X1/E84 (09-) | sDrive 16 d | 07.2012 | | 34 21 6 855 008 , 34 21 6 864 901 , 34 21 6 764 653 | |
| | | BMW | X1/E84 (09-) | xDrive 28 i | 04.2011 | | 34 21 6 855 008 , 34 21 6 864 901 , 34 21 6 764 653 | |
| | | BMW | X1/E84 (09-) | xDrive 25 i | 03.2010 | | 34 21 6 855 008 , 34 21 6 864 901 , 34 21 6 764 653 | |
| | | BMW | X1/E84 (09-) | sDrive 20 i | 09.2011 | | 34 21 6 855 008 , 34 21 6 864 901 , 34 21 6 764 653 | |
| | | BMW | X1/E84 (09-) | sDrive 16 i | 03.2013 | | 34 21 6 855 008 , 34 21 6 864 901 , 34 21 6 764 653 | |
| | | BMW | X1/E84 (09-) | sDrive 18 i | 03.2010 | | 34 21 6 855 008 , 34 21 6 864 901 , 34 21 6 764 653 | |
| | | BMW | X1/E84 (09-) | sDrive 20 d | 07.2012 | | 34 21 6 855 008 , 34 21 6 864 901 , 34 21 6 764 653 | |
| | | BMW | X1/E84 (09-) | sDrive 18 d | 10.2009 | | 34 21 6 855 008 , 34 21 6 864 901 , 34 21 6 764 653 | |
| | | BMW | X1/E84 (09-) | sDrive 20 d ed | 03.2010 | | 34 21 6 855 008 , 34 21 6 864 901 , 34 21 6 764 653 | |
| | | BMW | X1/E84 (09-) | xDrive 23 d | 10.2009 | | 34 21 6 855 008 , 34 21 6 864 901 , 34 21 6 764 653 | |
| | | BMW | X1/E84 (09-) | xDrive 18 d | 10.2009 | | 34 21 6 855 008 , 34 21 6 864 901 , 34 21 6 764 653 | |



| | | | | | | | |
|--|--|--|--|--|-------------------------------|--|--|
| | | | | | OE numbers per ATE pn. | | e.g. replaced pn. / miscellaneous |
|--|--|--|--|--|-------------------------------|--|--|



SCH - Brake disc rear

| | | | | | | | | |
|----------------|---------------|-----|---------------------------------|-------------|---------|---------|---|--|
| 24.0320-0204.1 | 520204 | BMW | X1/E84 (09-) | xDrive 20 d | 07.2012 | | 34 21 6 855 008 , 34 21 6 864 901 , 34 21 6 764 653 | |
| | | BMW | X1/E84 (09-) | | 10.2009 | | 34 21 6 855 008 , 34 21 6 864 901 , 34 21 6 764 653 | |
| | | BMW | X1/E84 (09-) | xDrive 20 i | 09.2011 | | 34 21 6 855 008 , 34 21 6 864 901 , 34 21 6 764 653 | |
| | | BMW | X1/E84 (09-) | sDrive 20 d | 10.2009 | | 34 21 6 855 008 , 34 21 6 864 901 , 34 21 6 764 653 | |
| 24.0322-0209.1 | 522209 | BMW | 3er Reihe/E46 Cabrio (00-06) | 330 Ci | 06.2000 | 09.2006 | 34 20 1 166 073 | |
| | | BMW | 3er Reihe/E46 Cabrio (00-06) | 330 Cd | 08.2005 | 09.2006 | 34 20 1 166 073 | |
| | | BMW | 3er Reihe/E46 Coupe (99-06) | 330 Ci | 06.2000 | 09.2006 | 34 20 1 166 073 | |
| | | BMW | 3er Reihe/E46 Coupe (99-06) | 330 xi | 06.2000 | 09.2006 | 34 20 1 166 073 | |
| | | BMW | 3er Reihe/E46 Coupe (99-06) | 330 Cd | 03.2003 | 09.2006 | 34 20 1 166 073 | |
| | | BMW | 3er Reihe/E46 Limousine (98-05) | 330 xd | 06.2000 | 02.2005 | 34 20 1 166 073 | |
| | | BMW | 3er Reihe/E46 Limousine (98-05) | | 03.2003 | 02.2005 | 34 20 1 166 073 | |
| | | BMW | 3er Reihe/E46 Limousine (98-05) | 330 i | 06.2000 | 02.2005 | 34 20 1 166 073 | |
| | | BMW | 3er Reihe/E46 Limousine (98-05) | 330 d | 10.1999 | 02.2005 | 34 20 1 166 073 | |
| | | BMW | 3er Reihe/E46 Limousine (98-05) | | 03.2003 | 02.2005 | 34 20 1 166 073 | |
| | | BMW | 3er Reihe/E46 Limousine (98-05) | 325 xi | 09.2000 | 02.2005 | 34 20 1 166 073 | |
| | | BMW | 3er Reihe/E46 Limousine (98-05) | 330 xi | 06.2000 | 02.2005 | 34 20 1 166 073 | |
| | | BMW | 3er Reihe/E46 Touring (99-05) | 330 d | 03.2003 | 02.2005 | 34 20 1 166 073 | |
| | | BMW | 3er Reihe/E46 Touring (99-05) | 330 xi | 06.2000 | 02.2005 | 34 20 1 166 073 | |



| | | | | | | |
|--|--|--|--|--|-------------------------------|--|
| | | | | | OE numbers per ATE pn. | |
|--|--|--|--|--|-------------------------------|--|



SCH - Brake disc rear

| | | | | | | | | |
|----------------|---------------|-----|-------------------------------|--------|---------|---------|-----------------|--|
| 24.0322-0209.1 | 522209 | BMW | 3er Reihe/E46 Touring (99-05) | 330 xd | 03.2003 | 02.2005 | 34 20 1 166 073 | |
| | | BMW | 3er Reihe/E46 Touring (99-05) | 330 i | 06.2000 | 02.2005 | 34 20 1 166 073 | |
| | | BMW | 3er Reihe/E46 Touring (99-05) | 330 xd | 06.2000 | 02.2005 | 34 20 1 166 073 | |
| | | BMW | 3er Reihe/E46 Touring (99-05) | 330 d | 10.1999 | 02.2005 | 34 20 1 166 073 | |



SCV - Brake disc front

| | | | | | | | | |
|----------------|---------------|---------|--------------------|-------------------|---------|--|---------------|--|
| 24.0123-0119.1 | 423119 | RENAULT | DUSTER (HS-) (11-) | 1,5 dCi | 06.2011 | | 40 20 663 00R | |
| | | RENAULT | DUSTER (HS-) (11-) | 1,6 16V 4x4 | 06.2011 | | 40 20 663 00R | |
| | | RENAULT | DUSTER (HS-) (11-) | 2 | 02.2012 | | 40 20 663 00R | |
| | | RENAULT | DUSTER (HS-) (11-) | 1,6 16V | 06.2011 | | 40 20 663 00R | |
| | | DACIA | DUSTER (HS_) (10-) | 1,5 dCi | 09.2013 | | 40 20 663 00R | |
| | | DACIA | DUSTER (HS_) (10-) | | 06.2010 | | 40 20 663 00R | |
| | | DACIA | DUSTER (HS_) (10-) | 1,6 16V 4x4 | 06.2010 | | 40 20 663 00R | |
| | | DACIA | DUSTER (HS_) (10-) | 1,6 16V LPG | 04.2011 | | 40 20 663 00R | |
| | | DACIA | DUSTER (HS_) (10-) | 1,6 SCe 115 4x4 | 06.2015 | | 40 20 663 00R | |
| | | DACIA | DUSTER (HS_) (10-) | 1,5 dCi | 10.2010 | | 40 20 663 00R | |
| | | DACIA | DUSTER (HS_) (10-) | 1,6 SCe 115 | 06.2015 | | 40 20 663 00R | |
| | | DACIA | DUSTER (HS_) (10-) | 1,6 16V | 04.2010 | | 40 20 663 00R | |
| | | DACIA | DUSTER (HS_) (10-) | 1,6 16V Flexifuel | 04.2011 | | 40 20 663 00R | |



| | | | | | | | |
|--|--|--|--|--|------------------------|--|-----------------------------------|
| | | | | | OE numbers per ATE pn. | | e.g. replaced pn. / miscellaneous |
|--|--|--|--|--|------------------------|--|-----------------------------------|



SCV - Brake disc front

| | | | | | | | | | |
|----------------|---------------|-------|--------------------------------|----------------|----|---------|--|-----------------|--|
| 24.0123-0119.1 | 423119 | DACIA | DUSTER (HS_) (10-) | 1,5 dCi | | 04.2010 | | 40 20 663 00R | |
| 24.0136-0125.2 | 436125 | BMW | 5er Reihe/F10 Limousine (10-) | M5 | FR | 09.2011 | | 34 11 2 284 102 | |
| | | BMW | 5er Reihe/F10 Limousine (10-) | M5 Competition | FR | 01.2014 | | 34 11 2 284 102 | |
| | | BMW | 6er Reihe/F06 Gran Coupe (11-) | M6 | FR | 07.2015 | | 34 11 2 284 102 | |
| | | BMW | 6er Reihe/F06 Gran Coupe (11-) | M6 Competition | FR | 02.2014 | | 34 11 2 284 102 | |
| | | BMW | 6er Reihe/F06 Gran Coupe (11-) | M6 | FR | 12.2012 | | 34 11 2 284 102 | |
| | | BMW | 6er Reihe/F12 Cabrio (11-) | | FR | 06.2012 | | 34 11 2 284 102 | |
| | | BMW | 6er Reihe/F12 Cabrio (11-) | | FR | 07.2015 | | 34 11 2 284 102 | |
| | | BMW | 6er Reihe/F12 Cabrio (11-) | M6 Competition | FR | 02.2014 | | 34 11 2 284 102 | |
| | | BMW | 6er Reihe/F13 Coupe (11-) | M6 | FR | 07.2015 | | 34 11 2 284 102 | |
| | | BMW | 6er Reihe/F13 Coupe (11-) | | FR | 06.2012 | | 34 11 2 284 102 | |
| | | BMW | 6er Reihe/F13 Coupe (11-) | M6 Competition | FR | 02.2014 | | 34 11 2 284 102 | |
| 24.0136-0126.2 | 436126 | BMW | 5er Reihe/F10 Limousine (10-) | M5 | FL | 09.2011 | | 34 11 2 284 101 | |
| | | BMW | 5er Reihe/F10 Limousine (10-) | M5 Competition | FL | 01.2014 | | 34 11 2 284 101 | |
| | | BMW | 6er Reihe/F06 Gran Coupe (11-) | M6 Competition | FL | 02.2014 | | 34 11 2 284 101 | |
| | | BMW | 6er Reihe/F06 Gran Coupe (11-) | M6 | FL | 07.2015 | | 34 11 2 284 101 | |
| | | BMW | 6er Reihe/F06 Gran Coupe (11-) | | FL | 12.2012 | | 34 11 2 284 101 | |
| | | BMW | 6er Reihe/F12 Cabrio (11-) | | FL | 07.2015 | | 34 11 2 284 101 | |
| | | BMW | 6er Reihe/F12 Cabrio (11-) | | FL | 06.2012 | | 34 11 2 284 101 | |
| | | BMW | 6er Reihe/F12 Cabrio (11-) | M6 Competition | FL | 02.2014 | | 34 11 2 284 101 | |



| | | | | | | | |
|--|--|--|--|--|-------------------------------|--|--|
| | | | | | OE numbers per ATE pn. | | e.g. replaced pn. / miscellaneous |
|--|--|--|--|--|-------------------------------|--|--|



SCV - Brake disc front

| | | | | | | | | | |
|----------------|---------------|---------------|-------------------------------|----------------|----|---------|---------|-----------------------------------|--|
| 24.0136-0126.2 | 436126 | BMW | 6er Reihe/F13 Coupe (11-) | M6 Competition | FL | 02.2014 | | 34 11 2 284 101 | |
| | | BMW | 6er Reihe/F13 Coupe (11-) | M6 | FL | 07.2015 | | 34 11 2 284 101 | |
| | | BMW | 6er Reihe/F13 Coupe (11-) | | FL | 06.2012 | | 34 11 2 284 101 | |
| 24.0322-0247.1 | 522247 | MINI | R55 Clubman (07-14) | Cooper S | | 09.2007 | 06.2014 | 34 11 6 774 986 , 34 11 6 858 652 | |
| | | MINI | R56 (06-14) | | | 11.2006 | 06.2014 | 34 11 6 774 986 , 34 11 6 858 652 | |
| | | MINI | R56 (06-14) | | | 03.2010 | 06.2014 | 34 11 6 774 986 , 34 11 6 858 652 | |
| | | MINI | R56 (06-14) | | | 01.2012 | 06.2014 | 34 11 6 774 986 , 34 11 6 858 652 | |
| | | MINI | R57 Cabrio (09-14) | | | 01.2009 | 06.2014 | 34 11 6 774 986 , 34 11 6 858 652 | |
| | | MINI | R57 Cabrio (09-14) | | | 03.2010 | 06.2014 | 34 11 6 774 986 , 34 11 6 858 652 | |
| | | MINI | R58 Coupe (11-) | | | 10.2011 | | 34 11 6 774 986 , 34 11 6 858 652 | |
| | | MINI | R59 Roadster (12-) | | | 02.2012 | | 34 11 6 774 986 , 34 11 6 858 652 | |
| 24.0325-0179.1 | 525179 | MERCEDES BENZ | C-Klasse (C204) Coupe (11-) | C 180 | | 01.2013 | | 000 421 19 12 , 204 421 00 12 | |
| | | MERCEDES BENZ | C-Klasse (C204) Coupe (11-) | C 180 CGI | | 06.2011 | | 000 421 19 12 , 204 421 00 12 | |
| | | MERCEDES BENZ | C-Klasse (S204) Kombi (07-14) | C 200 CDI | | 08.2010 | 08.2014 | 000 421 19 12 , 204 421 00 12 | |



| | | | | | | | |
|--|--|--|--|--|-------------------------------|--|--|
| | | | | | OE numbers per ATE pn. | | e.g. replaced pn. / miscellaneous |
|--|--|--|--|--|-------------------------------|--|--|



SCV - Brake disc front

| | | | | | | | | |
|----------------|---------------|---------------|-----------------------------------|------------------|---------|---------|---|--|
| 24.0325-0179.1 | 525179 | MERCEDES BENZ | C-Klasse (S204) Kombi (07-14) | C 180 CGI | 04.2009 | 08.2014 | 000 421 19 12 , 204 421 00 12 | |
| | | MERCEDES BENZ | C-Klasse (S204) Kombi (07-14) | C 180 CDI BE | 01.2011 | 08.2014 | 000 421 19 12 , 204 421 00 12 | |
| | | MERCEDES BENZ | C-Klasse (S204) Kombi (07-14) | C 200 CDI | 09.2007 | 08.2014 | 000 421 19 12 , 204 421 00 12 | |
| | | MERCEDES BENZ | C-Klasse (S204) Kombi (07-14) | C 180 Kompressor | 09.2007 | 08.2014 | 000 421 19 12 , 204 421 00 12 | |
| | | MERCEDES BENZ | C-Klasse (S204) Kombi (07-14) | | 01.2008 | 08.2014 | 000 421 19 12 , 204 421 00 12 | |
| | | MERCEDES BENZ | C-Klasse (W204) Limousine (07-14) | C 180 CDI | 01.2011 | 01.2014 | 000 421 19 12 , 204 421 00 12 | |
| | | MERCEDES BENZ | C-Klasse (W204) Limousine (07-14) | C 180 CGI | 04.2009 | 01.2014 | 000 421 19 12 , 204 421 00 12 | |
| | | MERCEDES BENZ | C-Klasse (W204) Limousine (07-14) | C 200 CDI | 01.2011 | 01.2014 | 000 421 19 12 , 204 421 00 12 | |
| | | MERCEDES BENZ | C-Klasse (W204) Limousine (07-14) | C 180 Kompressor | 03.2007 | 01.2014 | 000 421 19 12 , 204 421 00 12 | |
| | | MERCEDES BENZ | C-Klasse (W204) Limousine (07-14) | | 01.2008 | 01.2014 | 000 421 19 12 , 204 421 00 12 | |
| | | MERCEDES BENZ | C-Klasse (W204) Limousine (07-14) | C 200 CDI | 03.2007 | 01.2014 | 000 421 19 12 , 204 421 00 12 | |
| 24.0325-0197.1 | 525197 | VOLVO | C70 II Cabrio (06-13) | 2,0 D3 | 10.2010 | 07.2013 | 1368548 , 1724956 , 3M51-2C375-CE , 1677434 , 3M51-2C375-CC , 3M51-2C375-CD , 1384290 , 31302573 , 31381376 , 31400818 , 31341644 , 31400942 , 274521 , 31329122 , 31262720 | |



| | | | | | | |
|--|--|--|--|--|-------------------------------|--|
| | | | | | OE numbers per ATE pn. | e.g. replaced pn. / miscellaneous |
|--|--|--|--|--|-------------------------------|--|



SCV - Brake disc front

| | | | | | | | | | |
|----------------|--------|-------|-----------------------|--------|--|---------|---------|---|--|
| 24.0325-0197.1 | 525197 | VOLVO | C70 II Cabrio (06-13) | 2,0 D | | 06.2008 | 07.2013 | 1368548 , 1724956 , 3M51-2C375-CE , 1677434 , 3M51-2C375-CC , 3M51-2C375-CD , 1384290 , 31302573 , 31381376 , 31400818 , 31341644 , 31400942 , 274521 , 31329122 , 31262720 | |
| | | VOLVO | C70 II Cabrio (06-13) | 2,0 D4 | | 10.2010 | 07.2013 | 1368548 , 1724956 , 3M51-2C375-CE , 1677434 , 3M51-2C375-CC , 3M51-2C375-CD , 1384290 , 31302573 , 31381376 , 31400818 , 31341644 , 31400942 , 274521 , 31329122 , 31262720 | |
| | | VOLVO | C70 II Cabrio (06-13) | 2,4 | | 03.2006 | 07.2013 | 1368548 , 1724956 , 3M51-2C375-CE , 1677434 , 3M51-2C375-CC , 3M51-2C375-CD , 1384290 , 31302573 , 31381376 , 31400818 , 31341644 , 31400942 , 274521 , 31329122 , 31262720 | |
| | | VOLVO | C70 II Cabrio (06-13) | 2,4 D | | 03.2007 | 07.2013 | 1368548 , 1724956 , 3M51-2C375-CE , 1677434 , 3M51-2C375-CC , 3M51-2C375-CD , 1384290 , 31302573 , 31381376 , 31400818 , 31341644 , 31400942 , 274521 , 31329122 , 31262720 | |



| | | | | | | |
|--|--|--|--|--|-------------------------------|--|
| | | | | | OE numbers per ATE pn. | e.g. replaced pn. / miscellaneous |
|--|--|--|--|--|-------------------------------|--|



SCV - Brake disc front

| | | | | | | | | | |
|----------------|--------|-------|-----------------------|--------|--|---------|---------|---|--|
| 24.0325-0197.1 | 525197 | VOLVO | C70 II Cabrio (06-13) | 2,4 D5 | | 03.2006 | 07.2013 | 1368548 , 1724956 , 3M51-2C375-CE , 1677434 , 3M51-2C375-CC , 3M51-2C375-CD , 1384290 , 31302573 , 31381376 , 31400818 , 31341644 , 31400942 , 274521 , 31329122 , 31262720 | |
| | | VOLVO | C70 II Cabrio (06-13) | 2,4 i | | 03.2006 | 07.2013 | 1368548 , 1724956 , 3M51-2C375-CE , 1677434 , 3M51-2C375-CC , 3M51-2C375-CD , 1384290 , 31302573 , 31381376 , 31400818 , 31341644 , 31400942 , 274521 , 31329122 , 31262720 | |
| | | VOLVO | C70 II Cabrio (06-13) | 2,5 T5 | | 03.2006 | 07.2013 | 1368548 , 1724956 , 3M51-2C375-CE , 1677434 , 3M51-2C375-CC , 3M51-2C375-CD , 1384290 , 31302573 , 31381376 , 31400818 , 31341644 , 31400942 , 274521 , 31329122 , 31262720 | |
| | | VOLVO | C70 II Cabrio (06-13) | | | 03.2007 | 07.2013 | 1368548 , 1724956 , 3M51-2C375-CE , 1677434 , 3M51-2C375-CC , 3M51-2C375-CD , 1384290 , 31302573 , 31381376 , 31400818 , 31341644 , 31400942 , 274521 , 31329122 , 31262720 | |



| | | | | | | |
|--|--|--|--|--|-------------------------------|--|
| | | | | | OE numbers per ATE pn. | e.g. replaced pn. / miscellaneous |
|--|--|--|--|--|-------------------------------|--|



SCV - Brake disc front

| | | | | | | | | | |
|----------------|--------|-------|------------------|---------------|--|---------|---------|---|--|
| 24.0325-0197.1 | 525197 | FORD | FOCUS II (05-11) | 2,5 ST | | 10.2005 | 12.2010 | 1368548 , 1724956 , 3M51-2C375-CE , 1677434 , 3M51-2C375-CC , 3M51-2C375-CD , 1384290 , 31302573 , 31381376 , 31400818 , 31341644 , 31400942 , 274521 , 31329122 , 31262720 | |
| | | VOLVO | S40 II (04-12) | 1,6 D | | 01.2005 | 05.2012 | 1368548 , 1724956 , 3M51-2C375-CE , 1677434 , 3M51-2C375-CC , 3M51-2C375-CD , 1384290 , 31302573 , 31381376 , 31400818 , 31341644 , 31400942 , 274521 , 31329122 , 31262720 | |
| | | VOLVO | S40 II (04-12) | 1,8 FlexiFuel | | 04.2007 | 05.2012 | 1368548 , 1724956 , 3M51-2C375-CE , 1677434 , 3M51-2C375-CC , 3M51-2C375-CD , 1384290 , 31302573 , 31381376 , 31400818 , 31341644 , 31400942 , 274521 , 31329122 , 31262720 | |
| | | VOLVO | S40 II (04-12) | 2,0 D | | 01.2004 | 05.2012 | 1368548 , 1724956 , 3M51-2C375-CE , 1677434 , 3M51-2C375-CC , 3M51-2C375-CD , 1384290 , 31302573 , 31381376 , 31400818 , 31341644 , 31400942 , 274521 , 31329122 , 31262720 | |



| | | | | | | |
|--|--|--|--|--|-------------------------------|--|
| | | | | | OE numbers per ATE pn. | e.g. replaced pn. / miscellaneous |
|--|--|--|--|--|-------------------------------|--|



SCV - Brake disc front

| | | | | | | | | | |
|----------------|--------|-------|----------------|--------|--|---------|---------|---|--|
| 24.0325-0197.1 | 525197 | VOLVO | S40 II (04-12) | 2,0 D3 | | 10.2010 | 05.2012 | 1368548 , 1724956 , 3M51-2C375-CE , 1677434 , 3M51-2C375-CC , 3M51-2C375-CD , 1384290 , 31302573 , 31381376 , 31400818 , 31341644 , 31400942 , 274521 , 31329122 , 31262720 | |
| | | VOLVO | S40 II (04-12) | 2,0 D4 | | 10.2010 | 05.2012 | 1368548 , 1724956 , 3M51-2C375-CE , 1677434 , 3M51-2C375-CC , 3M51-2C375-CD , 1384290 , 31302573 , 31381376 , 31400818 , 31341644 , 31400942 , 274521 , 31329122 , 31262720 | |
| | | VOLVO | S40 II (04-12) | 1,6 D | | 04.2007 | 05.2012 | 1368548 , 1724956 , 3M51-2C375-CE , 1677434 , 3M51-2C375-CC , 3M51-2C375-CD , 1384290 , 31302573 , 31381376 , 31400818 , 31341644 , 31400942 , 274521 , 31329122 , 31262720 | |
| | | VOLVO | S40 II (04-12) | 2,4 | | 01.2004 | 05.2012 | 1368548 , 1724956 , 3M51-2C375-CE , 1677434 , 3M51-2C375-CC , 3M51-2C375-CD , 1384290 , 31302573 , 31381376 , 31400818 , 31341644 , 31400942 , 274521 , 31329122 , 31262720 | |



| | | | | | | |
|--|--|--|--|--|-------------------------------|--|
| | | | | | OE numbers per ATE pn. | e.g. replaced pn. / miscellaneous |
|--|--|--|--|--|-------------------------------|--|



SCV - Brake disc front

| | | | | | | | | | |
|----------------|--------|-------|----------------|---------|--|---------|---------|---|--|
| 24.0325-0197.1 | 525197 | VOLVO | S40 II (04-12) | 2,0 D4 | | 07.2005 | 05.2012 | 1368548 , 1724956 , 3M51-2C375-CE , 1677434 , 3M51-2C375-CC , 3M51-2C375-CD , 1384290 , 31302573 , 31381376 , 31400818 , 31341644 , 31400942 , 274521 , 31329122 , 31262720 | |
| | | VOLVO | S40 II (04-12) | 2,4 4X4 | | 08.2006 | 05.2012 | 1368548 , 1724956 , 3M51-2C375-CE , 1677434 , 3M51-2C375-CC , 3M51-2C375-CD , 1384290 , 31302573 , 31381376 , 31400818 , 31341644 , 31400942 , 274521 , 31329122 , 31262720 | |
| | | VOLVO | S40 II (04-12) | 2,4 D5 | | 03.2006 | 05.2012 | 1368548 , 1724956 , 3M51-2C375-CE , 1677434 , 3M51-2C375-CC , 3M51-2C375-CD , 1384290 , 31302573 , 31381376 , 31400818 , 31341644 , 31400942 , 274521 , 31329122 , 31262720 | |
| | | VOLVO | S40 II (04-12) | 2,5 T5 | | 01.2004 | 05.2012 | 1368548 , 1724956 , 3M51-2C375-CE , 1677434 , 3M51-2C375-CC , 3M51-2C375-CD , 1384290 , 31302573 , 31381376 , 31400818 , 31341644 , 31400942 , 274521 , 31329122 , 31262720 | |



| | | | | | | |
|--|--|--|--|--|-------------------------------|--|
| | | | | | OE numbers per ATE pn. | e.g. replaced pn. / miscellaneous |
|--|--|--|--|--|-------------------------------|--|



SCV - Brake disc front

| | | | | | | | | | |
|----------------|--------|-------|----------------|------------|--|---------|---------|---|--|
| 24.0325-0197.1 | 525197 | VOLVO | S40 II (04-12) | 2,5 T5 | | 03.2007 | 05.2012 | 1368548 , 1724956 , 3M51-2C375-CE , 1677434 , 3M51-2C375-CC , 3M51-2C375-CD , 1384290 , 31302573 , 31381376 , 31400818 , 31341644 , 31400942 , 274521 , 31329122 , 31262720 | |
| | | VOLVO | S40 II (04-12) | 2,5 T5 AWD | | 03.2007 | 05.2012 | 1368548 , 1724956 , 3M51-2C375-CE , 1677434 , 3M51-2C375-CC , 3M51-2C375-CD , 1384290 , 31302573 , 31381376 , 31400818 , 31341644 , 31400942 , 274521 , 31329122 , 31262720 | |
| | | VOLVO | S40 II (04-12) | | | 04.2004 | 05.2012 | 1368548 , 1724956 , 3M51-2C375-CE , 1677434 , 3M51-2C375-CC , 3M51-2C375-CD , 1384290 , 31302573 , 31381376 , 31400818 , 31341644 , 31400942 , 274521 , 31329122 , 31262720 | |
| | | VOLVO | S40 II (04-12) | 2,0 i | | 10.2006 | 05.2012 | 1368548 , 1724956 , 3M51-2C375-CE , 1677434 , 3M51-2C375-CC , 3M51-2C375-CD , 1384290 , 31302573 , 31381376 , 31400818 , 31341644 , 31400942 , 274521 , 31329122 , 31262720 | |



| | | | | | | |
|--|--|--|--|--|-------------------------------|--|
| | | | | | OE numbers per ATE pn. | e.g. replaced pn. / miscellaneous |
|--|--|--|--|--|-------------------------------|--|



SCV - Brake disc front

| | | | | | | | | | |
|----------------|--------|-------|----------------|---------------|--|---------|---------|---|--|
| 24.0325-0197.1 | 525197 | VOLVO | S40 II (04-12) | 1,6 i | | 01.2005 | 05.2012 | 1368548 , 1724956 , 3M51-2C375-CE , 1677434 , 3M51-2C375-CC , 3M51-2C375-CD , 1384290 , 31302573 , 31381376 , 31400818 , 31341644 , 31400942 , 274521 , 31329122 , 31262720 | |
| | | VOLVO | S40 II (04-12) | 1,8 | | 04.2004 | 05.2012 | 1368548 , 1724956 , 3M51-2C375-CE , 1677434 , 3M51-2C375-CC , 3M51-2C375-CD , 1384290 , 31302573 , 31381376 , 31400818 , 31341644 , 31400942 , 274521 , 31329122 , 31262720 | |
| | | VOLVO | S40 II (04-12) | 2,0 FlexiFuel | | 10.2006 | 05.2012 | 1368548 , 1724956 , 3M51-2C375-CE , 1677434 , 3M51-2C375-CC , 3M51-2C375-CD , 1384290 , 31302573 , 31381376 , 31400818 , 31341644 , 31400942 , 274521 , 31329122 , 31262720 | |
| | | VOLVO | S40 II (04-12) | 1,6 D2 | | 10.2010 | 05.2012 | 1368548 , 1724956 , 3M51-2C375-CE , 1677434 , 3M51-2C375-CC , 3M51-2C375-CD , 1384290 , 31302573 , 31381376 , 31400818 , 31341644 , 31400942 , 274521 , 31329122 , 31262720 | |



| | | | | | | |
|--|--|--|--|--|-------------------------------|--|
| | | | | | OE numbers per ATE pn. | e.g. replaced pn. / miscellaneous |
|--|--|--|--|--|-------------------------------|--|



SCV - Brake disc front

| | | | | | | | | |
|----------------|--------|-------|-----------|--------|--|---------|---|--|
| 24.0325-0197.1 | 525197 | VOLVO | V40 (12-) | T4 AWD | | 05.2014 | 1368548 , 1724956 , 3M51-2C375-CE , 1677434 , 3M51-2C375-CC , 3M51-2C375-CD , 1384290 , 31302573 , 31381376 , 31400818 , 31341644 , 31400942 , 274521 , 31329122 , 31262720 | |
| | | VOLVO | V40 (12-) | D2 | | 09.2012 | 1368548 , 1724956 , 3M51-2C375-CE , 1677434 , 3M51-2C375-CC , 3M51-2C375-CD , 1384290 , 31302573 , 31381376 , 31400818 , 31341644 , 31400942 , 274521 , 31329122 , 31262720 | |
| | | VOLVO | V40 (12-) | D3 | | 09.2012 | 1368548 , 1724956 , 3M51-2C375-CE , 1677434 , 3M51-2C375-CC , 3M51-2C375-CD , 1384290 , 31302573 , 31381376 , 31400818 , 31341644 , 31400942 , 274521 , 31329122 , 31262720 | |
| | | VOLVO | V40 (12-) | D4 | | 05.2014 | 1368548 , 1724956 , 3M51-2C375-CE , 1677434 , 3M51-2C375-CC , 3M51-2C375-CD , 1384290 , 31302573 , 31381376 , 31400818 , 31341644 , 31400942 , 274521 , 31329122 , 31262720 | |



| | | | | | | |
|--|--|--|--|--|-------------------------------|--|
| | | | | | OE numbers per ATE pn. | e.g. replaced pn. / miscellaneous |
|--|--|--|--|--|-------------------------------|--|



SCV - Brake disc front

| | | | | | | | | |
|----------------|--------|-------|-----------|---------|--|---------|---|--|
| 24.0325-0197.1 | 525197 | VOLVO | V40 (12-) | D4 | | 09.2012 | 1368548 , 1724956 , 3M51-2C375-CE , 1677434 , 3M51-2C375-CC , 3M51-2C375-CD , 1384290 , 31302573 , 31381376 , 31400818 , 31341644 , 31400942 , 274521 , 31329122 , 31262720 | |
| | | VOLVO | V40 (12-) | T2 | | 02.2015 | 1368548 , 1724956 , 3M51-2C375-CE , 1677434 , 3M51-2C375-CC , 3M51-2C375-CD , 1384290 , 31302573 , 31381376 , 31400818 , 31341644 , 31400942 , 274521 , 31329122 , 31262720 | |
| | | VOLVO | V40 (12-) | T2 GTDi | | 03.2013 | 1368548 , 1724956 , 3M51-2C375-CE , 1677434 , 3M51-2C375-CC , 3M51-2C375-CD , 1384290 , 31302573 , 31381376 , 31400818 , 31341644 , 31400942 , 274521 , 31329122 , 31262720 | |
| | | VOLVO | V40 (12-) | T3 | | 02.2015 | 1368548 , 1724956 , 3M51-2C375-CE , 1677434 , 3M51-2C375-CC , 3M51-2C375-CD , 1384290 , 31302573 , 31381376 , 31400818 , 31341644 , 31400942 , 274521 , 31329122 , 31262720 | |



| | | | | | | |
|--|--|--|--|--|-------------------------------|--|
| | | | | | OE numbers per ATE pn. | e.g. replaced pn. / miscellaneous |
|--|--|--|--|--|-------------------------------|--|



SCV - Brake disc front

| | | | | | | | | |
|----------------|--------|-------|-----------|---------|--|---------|---|--|
| 24.0325-0197.1 | 525197 | VOLVO | V40 (12-) | T3 GTDi | | 09.2012 | 1368548 , 1724956 , 3M51-2C375-CE , 1677434 , 3M51-2C375-CC , 3M51-2C375-CD , 1384290 , 31302573 , 31381376 , 31400818 , 31341644 , 31400942 , 274521 , 31329122 , 31262720 | |
| | | VOLVO | V40 (12-) | T4 | | 04.2013 | 1368548 , 1724956 , 3M51-2C375-CE , 1677434 , 3M51-2C375-CC , 3M51-2C375-CD , 1384290 , 31302573 , 31381376 , 31400818 , 31341644 , 31400942 , 274521 , 31329122 , 31262720 | |
| | | VOLVO | V40 (12-) | D2 | | 02.2015 | 1368548 , 1724956 , 3M51-2C375-CE , 1677434 , 3M51-2C375-CC , 3M51-2C375-CD , 1384290 , 31302573 , 31381376 , 31400818 , 31341644 , 31400942 , 274521 , 31329122 , 31262720 | |
| | | VOLVO | V40 (12-) | T4 AWD | | 04.2013 | 1368548 , 1724956 , 3M51-2C375-CE , 1677434 , 3M51-2C375-CC , 3M51-2C375-CD , 1384290 , 31302573 , 31381376 , 31400818 , 31341644 , 31400942 , 274521 , 31329122 , 31262720 | |



| | | | | | | |
|--|--|--|--|--|-------------------------------|--|
| | | | | | OE numbers per ATE pn. | e.g. replaced pn. / miscellaneous |
|--|--|--|--|--|-------------------------------|--|



SCV - Brake disc front

| | | | | | | | | |
|----------------|--------|-------|-----------|---------|--|---------|---|--|
| 24.0325-0197.1 | 525197 | VOLVO | V40 (12-) | T4 GTDi | | 09.2012 | 1368548 , 1724956 , 3M51-2C375-CE , 1677434 , 3M51-2C375-CC , 3M51-2C375-CD , 1384290 , 31302573 , 31381376 , 31400818 , 31341644 , 31400942 , 274521 , 31329122 , 31262720 | |
| | | VOLVO | V40 (12-) | T5 | | 03.2013 | 1368548 , 1724956 , 3M51-2C375-CE , 1677434 , 3M51-2C375-CC , 3M51-2C375-CD , 1384290 , 31302573 , 31381376 , 31400818 , 31341644 , 31400942 , 274521 , 31329122 , 31262720 | |
| | | VOLVO | V40 (12-) | | | 09.2012 | 1368548 , 1724956 , 3M51-2C375-CE , 1677434 , 3M51-2C375-CC , 3M51-2C375-CD , 1384290 , 31302573 , 31381376 , 31400818 , 31341644 , 31400942 , 274521 , 31329122 , 31262720 | |
| | | VOLVO | V40 (12-) | T5 AWD | | 01.2013 | 1368548 , 1724956 , 3M51-2C375-CE , 1677434 , 3M51-2C375-CC , 3M51-2C375-CD , 1384290 , 31302573 , 31381376 , 31400818 , 31341644 , 31400942 , 274521 , 31329122 , 31262720 | |



| | | | | | | |
|--|--|--|--|--|-------------------------------|--|
| | | | | | OE numbers per ATE pn. | e.g. replaced pn. / miscellaneous |
|--|--|--|--|--|-------------------------------|--|



SCV - Brake disc front

| | | | | | | | | |
|----------------|--------|-------|-----------|--------|--|---------|---|--|
| 24.0325-0197.1 | 525197 | VOLVO | V40 (12-) | T5 AWD | | 03.2013 | 1368548 , 1724956 , 3M51-2C375-CE , 1677434 , 3M51-2C375-CC , 3M51-2C375-CD , 1384290 , 31302573 , 31381376 , 31400818 , 31341644 , 31400942 , 274521 , 31329122 , 31262720 | |
| | | VOLVO | V40 (12-) | | | 05.2014 | 1368548 , 1724956 , 3M51-2C375-CE , 1677434 , 3M51-2C375-CC , 3M51-2C375-CD , 1384290 , 31302573 , 31381376 , 31400818 , 31341644 , 31400942 , 274521 , 31329122 , 31262720 | |
| | | VOLVO | V40 (12-) | T4 | | 04.2014 | 1368548 , 1724956 , 3M51-2C375-CE , 1677434 , 3M51-2C375-CC , 3M51-2C375-CD , 1384290 , 31302573 , 31381376 , 31400818 , 31341644 , 31400942 , 274521 , 31329122 , 31262720 | |
| | | VOLVO | V40 (12-) | T5 | | 05.2014 | 1368548 , 1724956 , 3M51-2C375-CE , 1677434 , 3M51-2C375-CC , 3M51-2C375-CD , 1384290 , 31302573 , 31381376 , 31400818 , 31341644 , 31400942 , 274521 , 31329122 , 31262720 | |



| | | | | | | |
|--|--|--|--|--|-------------------------------|--|
| | | | | | OE numbers per ATE pn. | e.g. replaced pn. / miscellaneous |
|--|--|--|--|--|-------------------------------|--|



SCV - Brake disc front

| | | | | | | | | | |
|----------------|--------|-------|-------------|--------|--|---------|---------|---|--|
| 24.0325-0197.1 | 525197 | VOLVO | V50 (04-12) | 2,4 | | 04.2004 | 05.2012 | 1368548 , 1724956 , 3M51-2C375-CE , 1677434 , 3M51-2C375-CC , 3M51-2C375-CD , 1384290 , 31302573 , 31381376 , 31400818 , 31341644 , 31400942 , 274521 , 31329122 , 31262720 | |
| | | VOLVO | V50 (04-12) | 1,6 D | | 04.2007 | 05.2012 | 1368548 , 1724956 , 3M51-2C375-CE , 1677434 , 3M51-2C375-CC , 3M51-2C375-CD , 1384290 , 31302573 , 31381376 , 31400818 , 31341644 , 31400942 , 274521 , 31329122 , 31262720 | |
| | | VOLVO | V50 (04-12) | 1,6 D2 | | 01.2010 | 05.2012 | 1368548 , 1724956 , 3M51-2C375-CE , 1677434 , 3M51-2C375-CC , 3M51-2C375-CD , 1384290 , 31302573 , 31381376 , 31400818 , 31341644 , 31400942 , 274521 , 31329122 , 31262720 | |
| | | VOLVO | V50 (04-12) | 1,6 i | | 01.2005 | 05.2012 | 1368548 , 1724956 , 3M51-2C375-CE , 1677434 , 3M51-2C375-CC , 3M51-2C375-CD , 1384290 , 31302573 , 31381376 , 31400818 , 31341644 , 31400942 , 274521 , 31329122 , 31262720 | |



| | | | | | | |
|--|--|--|--|--|-------------------------------|--|
| | | | | | OE numbers per ATE pn. | e.g. replaced pn. / miscellaneous |
|--|--|--|--|--|-------------------------------|--|



SCV - Brake disc front

| | | | | | | | | | |
|----------------|--------|-------|-------------|--------|--|---------|---------|---|--|
| 24.0325-0197.1 | 525197 | VOLVO | V50 (04-12) | 1,8 | | 04.2004 | 05.2012 | 1368548 , 1724956 , 3M51-2C375-CE , 1677434 , 3M51-2C375-CC , 3M51-2C375-CD , 1384290 , 31302573 , 31381376 , 31400818 , 31341644 , 31400942 , 274521 , 31329122 , 31262720 | |
| | | VOLVO | V50 (04-12) | 2,0 D | | 04.2004 | 05.2012 | 1368548 , 1724956 , 3M51-2C375-CE , 1677434 , 3M51-2C375-CC , 3M51-2C375-CD , 1384290 , 31302573 , 31381376 , 31400818 , 31341644 , 31400942 , 274521 , 31329122 , 31262720 | |
| | | VOLVO | V50 (04-12) | 2,0 D4 | | 10.2010 | 05.2012 | 1368548 , 1724956 , 3M51-2C375-CE , 1677434 , 3M51-2C375-CC , 3M51-2C375-CD , 1384290 , 31302573 , 31381376 , 31400818 , 31341644 , 31400942 , 274521 , 31329122 , 31262720 | |
| | | VOLVO | V50 (04-12) | 1,6 D | | 01.2005 | 05.2012 | 1368548 , 1724956 , 3M51-2C375-CE , 1677434 , 3M51-2C375-CC , 3M51-2C375-CD , 1384290 , 31302573 , 31381376 , 31400818 , 31341644 , 31400942 , 274521 , 31329122 , 31262720 | |



| | | | | | | |
|--|--|--|--|--|-------------------------------|--|
| | | | | | OE numbers per ATE pn. | e.g. replaced pn. / miscellaneous |
|--|--|--|--|--|-------------------------------|--|



SCV - Brake disc front

| | | | | | | | | | |
|----------------|--------|-------|-------------|---------------|--|---------|---------|---|--|
| 24.0325-0197.1 | 525197 | VOLVO | V50 (04-12) | 2,0 i | | 10.2006 | 05.2012 | 1368548 , 1724956 , 3M51-2C375-CE , 1677434 , 3M51-2C375-CC , 3M51-2C375-CD , 1384290 , 31302573 , 31381376 , 31400818 , 31341644 , 31400942 , 274521 , 31329122 , 31262720 | |
| | | VOLVO | V50 (04-12) | 1,8 FlexiFuel | | 04.2007 | 05.2012 | 1368548 , 1724956 , 3M51-2C375-CE , 1677434 , 3M51-2C375-CC , 3M51-2C375-CD , 1384290 , 31302573 , 31381376 , 31400818 , 31341644 , 31400942 , 274521 , 31329122 , 31262720 | |
| | | VOLVO | V50 (04-12) | 2,4 AWD | | 08.2006 | 05.2012 | 1368548 , 1724956 , 3M51-2C375-CE , 1677434 , 3M51-2C375-CC , 3M51-2C375-CD , 1384290 , 31302573 , 31381376 , 31400818 , 31341644 , 31400942 , 274521 , 31329122 , 31262720 | |
| | | VOLVO | V50 (04-12) | 2,4 D5 | | 03.2006 | 05.2012 | 1368548 , 1724956 , 3M51-2C375-CE , 1677434 , 3M51-2C375-CC , 3M51-2C375-CD , 1384290 , 31302573 , 31381376 , 31400818 , 31341644 , 31400942 , 274521 , 31329122 , 31262720 | |



| | | | | | | |
|--|--|--|--|--|-------------------------------|--|
| | | | | | OE numbers per ATE pn. | e.g. replaced pn. / miscellaneous |
|--|--|--|--|--|-------------------------------|--|



SCV - Brake disc front

| | | | | | | | | | |
|----------------|--------|-------|-------------|------------|--|---------|---------|---|--|
| 24.0325-0197.1 | 525197 | VOLVO | V50 (04-12) | 2,4 Tdi | | 05.2007 | 05.2012 | 1368548 , 1724956 , 3M51-2C375-CE , 1677434 , 3M51-2C375-CC , 3M51-2C375-CD , 1384290 , 31302573 , 31381376 , 31400818 , 31341644 , 31400942 , 274521 , 31329122 , 31262720 | |
| | | VOLVO | V50 (04-12) | 2,5 T5 | | 03.2007 | 05.2012 | 1368548 , 1724956 , 3M51-2C375-CE , 1677434 , 3M51-2C375-CC , 3M51-2C375-CD , 1384290 , 31302573 , 31381376 , 31400818 , 31341644 , 31400942 , 274521 , 31329122 , 31262720 | |
| | | VOLVO | V50 (04-12) | | | 04.2004 | 05.2012 | 1368548 , 1724956 , 3M51-2C375-CE , 1677434 , 3M51-2C375-CC , 3M51-2C375-CD , 1384290 , 31302573 , 31381376 , 31400818 , 31341644 , 31400942 , 274521 , 31329122 , 31262720 | |
| | | VOLVO | V50 (04-12) | 2,5 T5 AWD | | 03.2007 | 05.2012 | 1368548 , 1724956 , 3M51-2C375-CE , 1677434 , 3M51-2C375-CC , 3M51-2C375-CD , 1384290 , 31302573 , 31381376 , 31400818 , 31341644 , 31400942 , 274521 , 31329122 , 31262720 | |



| | | | | | | |
|--|--|--|--|--|-------------------------------|--|
| | | | | | OE numbers per ATE pn. | e.g. replaced pn. / miscellaneous |
|--|--|--|--|--|-------------------------------|--|



SCV - Brake disc front

| | | | | | | | | |
|----------------|---------------|-------|-------------------|---------------|---------|---------|---|--|
| 24.0325-0197.1 | 525197 | VOLVO | V50 (04-12) | 2,5 T5 AWD | 04.2004 | 05.2012 | 1368548 , 1724956 , 3M51-2C375-CE , 1677434 , 3M51-2C375-CC , 3M51-2C375-CD , 1384290 , 31302573 , 31381376 , 31400818 , 31341644 , 31400942 , 274521 , 31329122 , 31262720 | |
| | | VOLVO | V50 (04-12) | 2,0 FlexiFuel | 01.2010 | 05.2012 | 1368548 , 1724956 , 3M51-2C375-CE , 1677434 , 3M51-2C375-CC , 3M51-2C375-CD , 1384290 , 31302573 , 31381376 , 31400818 , 31341644 , 31400942 , 274521 , 31329122 , 31262720 | |
| | | VOLVO | V50 (04-12) | 2,0 D3 | 01.2010 | 05.2012 | 1368548 , 1724956 , 3M51-2C375-CE , 1677434 , 3M51-2C375-CC , 3M51-2C375-CD , 1384290 , 31302573 , 31381376 , 31400818 , 31341644 , 31400942 , 274521 , 31329122 , 31262720 | |
| 24.0328-0250.1 | 528250 | FORD | MONDEO IV (07-14) | 2,0 SCTi | 03.2010 | 09.2014 | 1514427 , 1500159 , 7G91-1125-EA | |
| | | FORD | MONDEO IV (07-14) | 2,3 i 16V | 07.2007 | 09.2014 | 1514427 , 1500159 , 7G91-1125-EA | |
| | | FORD | MONDEO IV (07-14) | 2,2 TDCi | 11.2010 | 09.2014 | 1514427 , 1500159 , 7G91-1125-EA | |
| | | FORD | MONDEO IV (07-14) | | 04.2008 | 09.2014 | 1514427 , 1500159 , 7G91-1125-EA | |
| | | FORD | MONDEO IV (07-14) | 2,0 TDCi | 10.2007 | 09.2014 | 1514427 , 1500159 , 7G91-1125-EA | |



| | | | | | | | |
|--|--|--|--|--|-------------------------------|--|--|
| | | | | | OE numbers per ATE pn. | | e.g. replaced pn. / miscellaneous |
|--|--|--|--|--|-------------------------------|--|--|



SCV - Brake disc front

| | | | | | | | | |
|----------------|---------------|------|-------------------|---------------|---------|---------|----------------------------------|--|
| 24.0328-0250.1 | 528250 | FORD | MONDEO IV (07-14) | 2,0 TDCi | 04.2007 | 09.2014 | 1514427 , 1500159 , 7G91-1125-EA | |
| | | FORD | MONDEO IV (07-14) | | 03.2007 | 09.2014 | 1514427 , 1500159 , 7G91-1125-EA | |
| | | FORD | MONDEO IV (07-14) | 2,5 i 20V | 04.2007 | 09.2014 | 1514427 , 1500159 , 7G91-1125-EA | |
| | | FORD | MONDEO IV (07-14) | 2,0 LPG | 07.2009 | 09.2014 | 1514427 , 1500159 , 7G91-1125-EA | |
| | | FORD | MONDEO IV (07-14) | 2,0 i 16V | 04.2007 | 09.2014 | 1514427 , 1500159 , 7G91-1125-EA | |
| | | FORD | MONDEO IV (07-14) | 1,6 EcoBoost | 02.2011 | 09.2014 | 1514427 , 1500159 , 7G91-1125-EA | |
| | | FORD | MONDEO IV (07-14) | 2,0 EcoBoost | 07.2010 | 09.2014 | 1514427 , 1500159 , 7G91-1125-EA | |
| | | FORD | MONDEO IV (07-14) | 1,8 TDCi | 06.2007 | 09.2014 | 1514427 , 1500159 , 7G91-1125-EA | |
| | | FORD | MONDEO IV (07-14) | | 04.2007 | 09.2014 | 1514427 , 1500159 , 7G91-1125-EA | |
| | | FORD | MONDEO IV (07-14) | 1,6 Ti VCT | 07.2010 | 09.2014 | 1514427 , 1500159 , 7G91-1125-EA | |
| | | FORD | MONDEO IV (07-14) | | 04.2007 | 09.2014 | 1514427 , 1500159 , 7G91-1125-EA | |
| | | FORD | MONDEO IV (07-14) | 1,6 TDCi | 02.2011 | 09.2014 | 1514427 , 1500159 , 7G91-1125-EA | |
| | | FORD | MONDEO IV (07-14) | 2,0 Flexifuel | 03.2007 | 09.2014 | 1514427 , 1500159 , 7G91-1125-EA | |
| | | FORD | MONDEO IV (07-14) | 2,0 TDCi | 03.2010 | 09.2014 | 1514427 , 1500159 , 7G91-1125-EA | |



| | | | | | | | |
|--|--|--|--|--|------------------------|--|-----------------------------------|
| | | | | | OE numbers per ATE pn. | | e.g. replaced pn. / miscellaneous |
|--|--|--|--|--|------------------------|--|-----------------------------------|



SCV - Brake disc front



SEH - Wheel sensor rear

| | | | | | | | | | |
|----------------|--------|-----|----------------|-------------|----|---------|---------|-----------------|--|
| 24.0710-5018.3 | 360409 | BMW | X5/E70 (07-13) | M | RA | 09.2009 | 07.2013 | 34 52 6 771 777 | |
| | | BMW | X5/E70 (07-13) | M 50 d | RA | 06.2012 | 07.2013 | 34 52 6 771 777 | |
| | | BMW | X5/E70 (07-13) | xDrive 30 d | RA | 09.2008 | 07.2013 | 34 52 6 771 777 | |
| | | BMW | X5/E70 (07-13) | | RA | 09.2010 | 07.2013 | 34 52 6 771 777 | |
| | | BMW | X5/E70 (07-13) | xDrive 30 i | RA | 09.2008 | 07.2013 | 34 52 6 771 777 | |
| | | BMW | X5/E70 (07-13) | xDrive 35 d | RA | 09.2008 | 07.2013 | 34 52 6 771 777 | |
| | | BMW | X5/E70 (07-13) | xDrive 35 i | RA | 09.2010 | 07.2013 | 34 52 6 771 777 | |
| | | BMW | X5/E70 (07-13) | xDrive 40 d | RA | 09.2010 | 07.2013 | 34 52 6 771 777 | |
| | | BMW | X5/E70 (07-13) | 4,8 i | RA | 01.2007 | 07.2013 | 34 52 6 771 777 | |
| | | BMW | X5/E70 (07-13) | xDrive 48 i | RA | 09.2008 | 07.2013 | 34 52 6 771 777 | |
| | | BMW | X5/E70 (07-13) | 3,0 d | RA | 01.2007 | 07.2013 | 34 52 6 771 777 | |
| | | BMW | X5/E70 (07-13) | 3,0 sd | RA | 09.2007 | 09.2008 | 34 52 6 771 777 | |
| | | BMW | X5/E70 (07-13) | xDrive 50 i | RA | 03.2010 | 07.2013 | 34 52 6 771 777 | |
| | | BMW | X5/E70 (07-13) | 3,0 si | RA | 01.2007 | 07.2013 | 34 52 6 771 777 | |
| | | BMW | X5/F15 (13-) | M | RA | 12.2014 | | 34 52 6 771 777 | |
| | | BMW | X5/F15 (13-) | xDrive 25 d | RA | 07.2015 | | 34 52 6 771 777 | |
| | | BMW | X5/F15 (13-) | M 50 d | RA | 08.2013 | | 34 52 6 771 777 | |



| | | | | | | | |
|--|--|--|--|--|------------------------|--|-----------------------------------|
| | | | | | OE numbers per ATE pn. | | e.g. replaced pn. / miscellaneous |
|--|--|--|--|--|------------------------|--|-----------------------------------|



SEH - Wheel sensor rear

| | | | | | | | | | |
|----------------|--------|-----|--------------------|--------------|----|---------|---------|-----------------|--|
| 24.0710-5018.3 | 360409 | BMW | X5/F15 (13-) | sDrive 25 d | RA | 08.2013 | | 34 52 6 771 777 | |
| | | BMW | X5/F15 (13-) | | RA | 07.2015 | | 34 52 6 771 777 | |
| | | BMW | X5/F15 (13-) | xDrive 30 d | RA | 08.2013 | | 34 52 6 771 777 | |
| | | BMW | X5/F15 (13-) | xDrive 25 d | RA | 08.2013 | | 34 52 6 771 777 | |
| | | BMW | X5/F15 (13-) | xDrive 35 i | RA | 08.2013 | | 34 52 6 771 777 | |
| | | BMW | X5/F15 (13-) | xDrive 40 d | RA | 08.2013 | | 34 52 6 771 777 | |
| | | BMW | X5/F15 (13-) | xDrive 40 e | RA | 09.2015 | | 34 52 6 771 777 | |
| | | BMW | X5/F15 (13-) | xDrive 50 i | RA | 08.2013 | | 34 52 6 771 777 | |
| | | BMW | X6/E71/E72 (08-14) | xDrive 30 d | RA | 09.2008 | 07.2014 | 34 52 6 771 777 | |
| | | BMW | X6/E71/E72 (08-14) | xDrive 35 i | RA | 09.2008 | 07.2014 | 34 52 6 771 777 | |
| | | BMW | X6/E71/E72 (08-14) | xDrive 30 d | RA | 09.2010 | 07.2014 | 34 52 6 771 777 | |
| | | BMW | X6/E71/E72 (08-14) | M 50 d | RA | 06.2012 | 07.2014 | 34 52 6 771 777 | |
| | | BMW | X6/E71/E72 (08-14) | M | RA | 09.2009 | 07.2014 | 34 52 6 771 777 | |
| | | BMW | X6/E71/E72 (08-14) | ActiveHybrid | RA | 10.2010 | 07.2014 | 34 52 6 771 777 | |
| | | BMW | X6/E71/E72 (08-14) | 50 i | RA | 05.2008 | 07.2014 | 34 52 6 771 777 | |
| | | BMW | X6/E71/E72 (08-14) | 35 i | RA | 01.2008 | 07.2014 | 34 52 6 771 777 | |
| | | BMW | X6/E71/E72 (08-14) | 35 d | RA | 01.2008 | 07.2014 | 34 52 6 771 777 | |
| | | BMW | X6/E71/E72 (08-14) | xDrive 50 i | RA | 09.2008 | 07.2014 | 34 52 6 771 777 | |
| | | BMW | X6/E71/E72 (08-14) | 30 d | RA | 05.2008 | 07.2014 | 34 52 6 771 777 | |
| | | BMW | X6/E71/E72 (08-14) | xDrive 35 d | RA | 09.2008 | 07.2014 | 34 52 6 771 777 | |



| | | | | | | | |
|--|--|--|--|--|------------------------|--|-----------------------------------|
| | | | | | OE numbers per ATE pn. | | e.g. replaced pn. / miscellaneous |
|--|--|--|--|--|------------------------|--|-----------------------------------|



SEH - Wheel sensor rear

| | | | | | | | | | |
|----------------|---------------|-----|--------------------|-------------|----|---------|---------|-----------------|--|
| 24.0710-5018.3 | 360409 | BMW | X6/E71/E72 (08-14) | xDrive 40 d | RA | 10.2010 | 07.2014 | 34 52 6 771 777 | |
| | | BMW | X6/F16 (14-) | xDrive 30 d | RA | 08.2014 | | 34 52 6 771 777 | |
| | | BMW | X6/F16 (14-) | M 50 d | RA | 08.2014 | | 34 52 6 771 777 | |
| | | BMW | X6/F16 (14-) | xDrive 40 d | RA | 08.2014 | | 34 52 6 771 777 | |
| | | BMW | X6/F16 (14-) | xDrive 50 i | RA | 08.2014 | | 34 52 6 771 777 | |
| | | BMW | X6/F16 (14-) | xDrive 35 i | RA | 12.2014 | | 34 52 6 771 777 | |
| | | BMW | X6/F16 (14-) | M | RA | 12.2014 | | 34 52 6 771 777 | |



SEV - Wheel sensor front

| | | | | | | | | | |
|----------------|---------------|-----|----------------|-------------|----|---------|---------|-----------------|--|
| 24.0710-5017.3 | 360408 | BMW | X5/E70 (07-13) | M | FA | 09.2009 | 07.2013 | 34 52 6 771 776 | |
| | | BMW | X5/E70 (07-13) | xDrive 50 i | FA | 03.2010 | 07.2013 | 34 52 6 771 776 | |
| | | BMW | X5/E70 (07-13) | xDrive 48 i | FA | 09.2008 | 07.2013 | 34 52 6 771 776 | |
| | | BMW | X5/E70 (07-13) | xDrive 40 d | FA | 09.2010 | 07.2013 | 34 52 6 771 776 | |
| | | BMW | X5/E70 (07-13) | xDrive 35 i | FA | 09.2010 | 07.2013 | 34 52 6 771 776 | |
| | | BMW | X5/E70 (07-13) | xDrive 35 d | FA | 09.2008 | 07.2013 | 34 52 6 771 776 | |
| | | BMW | X5/E70 (07-13) | xDrive 30 i | FA | 09.2008 | 07.2013 | 34 52 6 771 776 | |
| | | BMW | X5/E70 (07-13) | xDrive 30 d | FA | 09.2010 | 07.2013 | 34 52 6 771 776 | |
| | | BMW | X5/E70 (07-13) | M 50 d | FA | 06.2012 | 07.2013 | 34 52 6 771 776 | |
| | | BMW | X5/E70 (07-13) | 4,8 i | FA | 01.2007 | 07.2013 | 34 52 6 771 776 | |



| | | | | | | | |
|--|--|--|--|--|------------------------|--|-----------------------------------|
| | | | | | OE numbers per ATE pn. | | e.g. replaced pn. / miscellaneous |
|--|--|--|--|--|------------------------|--|-----------------------------------|



SEV - Wheel sensor front

| | | | | | | | | | |
|----------------|--------|-----|--------------------|--------------|----|---------|---------|-----------------|--|
| 24.0710-5017.3 | 360408 | BMW | X5/E70 (07-13) | 3,0 si | FA | 01.2007 | 07.2013 | 34 52 6 771 776 | |
| | | BMW | X5/E70 (07-13) | 3,0 sd | FA | 09.2007 | 09.2008 | 34 52 6 771 776 | |
| | | BMW | X5/E70 (07-13) | 3,0 d | FA | 01.2007 | 07.2013 | 34 52 6 771 776 | |
| | | BMW | X5/E70 (07-13) | xDrive 30 d | FA | 09.2008 | 07.2013 | 34 52 6 771 776 | |
| | | BMW | X5/F15 (13-) | xDrive 40 e | FA | 09.2015 | | 34 52 6 771 776 | |
| | | BMW | X5/F15 (13-) | xDrive 40 d | FA | 08.2013 | | 34 52 6 771 776 | |
| | | BMW | X5/F15 (13-) | M | FA | 12.2014 | | 34 52 6 771 776 | |
| | | BMW | X5/F15 (13-) | xDrive 35 i | FA | 08.2013 | | 34 52 6 771 776 | |
| | | BMW | X5/F15 (13-) | xDrive 50 i | FA | 08.2013 | | 34 52 6 771 776 | |
| | | BMW | X5/F15 (13-) | xDrive 30 d | FA | 08.2013 | | 34 52 6 771 776 | |
| | | BMW | X5/F15 (13-) | xDrive 25 d | FA | 08.2013 | | 34 52 6 771 776 | |
| | | BMW | X5/F15 (13-) | | FA | 07.2015 | | 34 52 6 771 776 | |
| | | BMW | X5/F15 (13-) | sDrive 25 d | FA | 08.2013 | | 34 52 6 771 776 | |
| | | BMW | X5/F15 (13-) | | FA | 07.2015 | | 34 52 6 771 776 | |
| | | BMW | X5/F15 (13-) | M 50 d | FA | 08.2013 | | 34 52 6 771 776 | |
| | | BMW | X6/E71/E72 (08-14) | ActiveHybrid | FA | 10.2009 | 07.2014 | 34 52 6 771 776 | |
| | | BMW | X6/E71/E72 (08-14) | xDrive 40 d | FA | 10.2010 | 07.2014 | 34 52 6 771 776 | |
| | | BMW | X6/E71/E72 (08-14) | xDrive 35 i | FA | 09.2008 | 07.2014 | 34 52 6 771 776 | |
| | | BMW | X6/E71/E72 (08-14) | xDrive 35 d | FA | 09.2008 | 07.2014 | 34 52 6 771 776 | |
| | | BMW | X6/E71/E72 (08-14) | xDrive 30 d | FA | 09.2010 | 07.2014 | 34 52 6 771 776 | |



| | | | | | | | |
|--|--|--|--|--|------------------------|--|-----------------------------------|
| | | | | | OE numbers per ATE pn. | | e.g. replaced pn. / miscellaneous |
|--|--|--|--|--|------------------------|--|-----------------------------------|



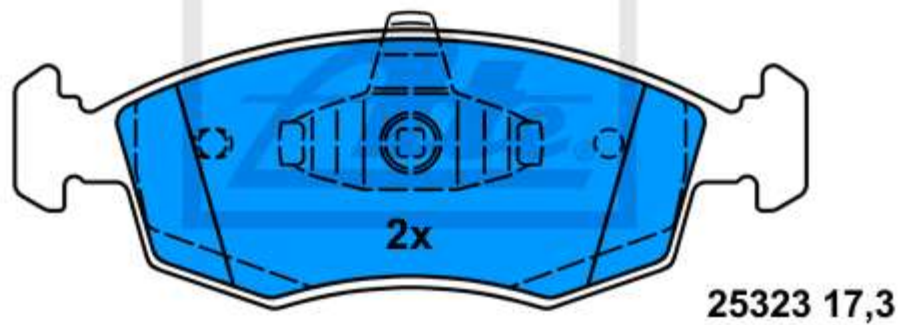
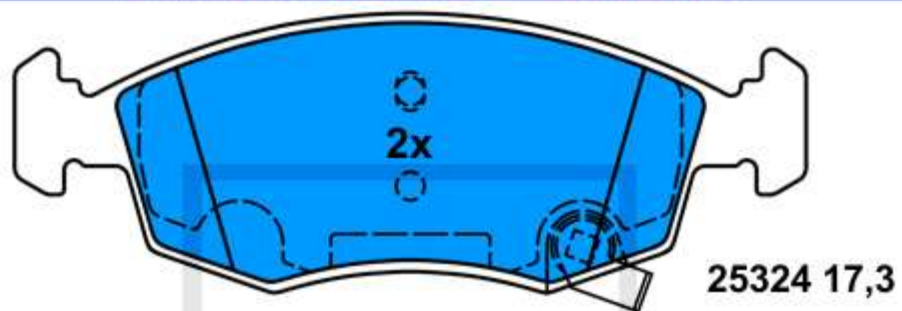
SEV - Wheel sensor front

| | | | | | | | | | |
|----------------|---------------|-----|--------------------|-------------|----|---------|---------|-----------------|--|
| 24.0710-5017.3 | 360408 | BMW | X6/E71/E72 (08-14) | xDrive 50 i | FA | 09.2008 | 07.2014 | 34 52 6 771 776 | |
| | | BMW | X6/E71/E72 (08-14) | xDrive 30 d | FA | 09.2008 | 07.2014 | 34 52 6 771 776 | |
| | | BMW | X6/E71/E72 (08-14) | M | FA | 09.2009 | 07.2014 | 34 52 6 771 776 | |
| | | BMW | X6/E71/E72 (08-14) | 50 i | FA | 05.2008 | 07.2014 | 34 52 6 771 776 | |
| | | BMW | X6/E71/E72 (08-14) | 35 i | FA | 01.2008 | 07.2014 | 34 52 6 771 776 | |
| | | BMW | X6/E71/E72 (08-14) | 35 d | FA | 01.2008 | 07.2014 | 34 52 6 771 776 | |
| | | BMW | X6/E71/E72 (08-14) | 30 d | FA | 05.2008 | 07.2014 | 34 52 6 771 776 | |
| | | BMW | X6/E71/E72 (08-14) | M 50 d | FA | 06.2012 | 07.2014 | 34 52 6 771 776 | |
| | | BMW | X6/F16 (14-) | M | FA | 12.2014 | | 34 52 6 771 776 | |
| | | BMW | X6/F16 (14-) | M 50 d | FA | 08.2014 | | 34 52 6 771 776 | |
| | | BMW | X6/F16 (14-) | xDrive 30 d | FA | 08.2014 | | 34 52 6 771 776 | |
| | | BMW | X6/F16 (14-) | xDrive 35 i | FA | 12.2014 | | 34 52 6 771 776 | |
| | | BMW | X6/F16 (14-) | xDrive 40 d | FA | 08.2014 | | 34 52 6 771 776 | |
| | | BMW | X6/F16 (14-) | xDrive 50 i | FA | 08.2014 | | 34 52 6 771 776 | |

13.0460-7289.2 607289

Applications:

FIAT PANDA (12-)
LANCIA YPSILON / Chrysler Ypsilon (11-)

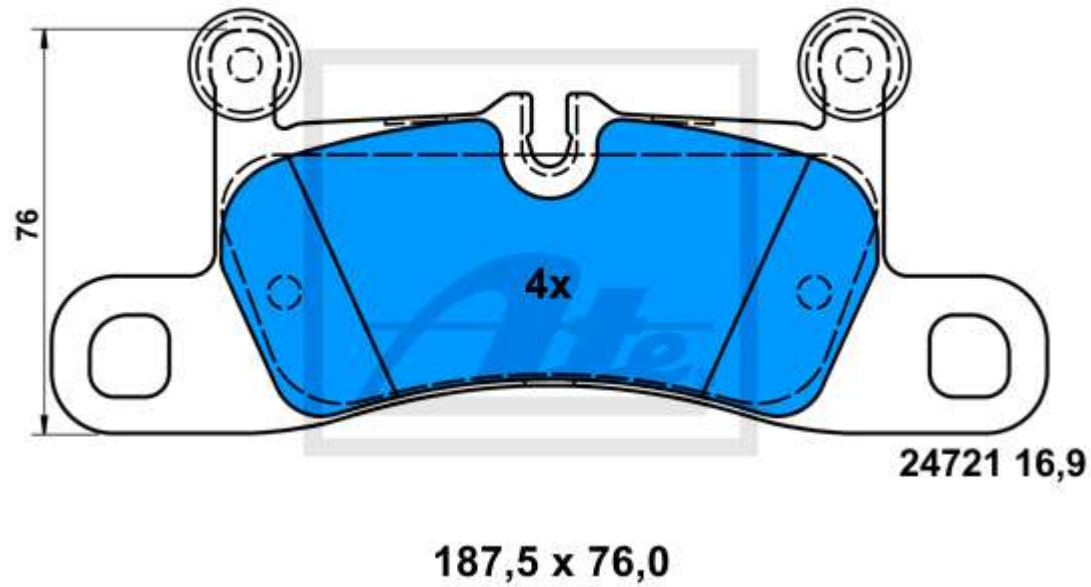


149,4 x 52,6

13.0460-4872.2 604872

Applications:

VOLKSWAGEN TOUAREG II (10-)



13.0460-2789.2 602789

Applications:
FIAT 500 L Kombi (12-)

